

#370501032 Super Mario™ – Flying Cape Mario™

#370501033 Super Mario™ – Flying Yoshi™

**Carrera**®

**RC**

- Ⓜ **GB** Ⓜ **USA** *Assembly and operating instructions*
- Ⓜ **GR** *Οδηγίες συναρμολόγησης και λειτουργίας*
- Ⓜ **RC** *安装和使用说明*
- Ⓜ **J** *取扱説明書*
- Ⓜ **ROK** *조립과 작동 방법*
- Ⓜ **RUS** *Инструкция по монтажу и эксплуатации*

**RC**  
**Power**

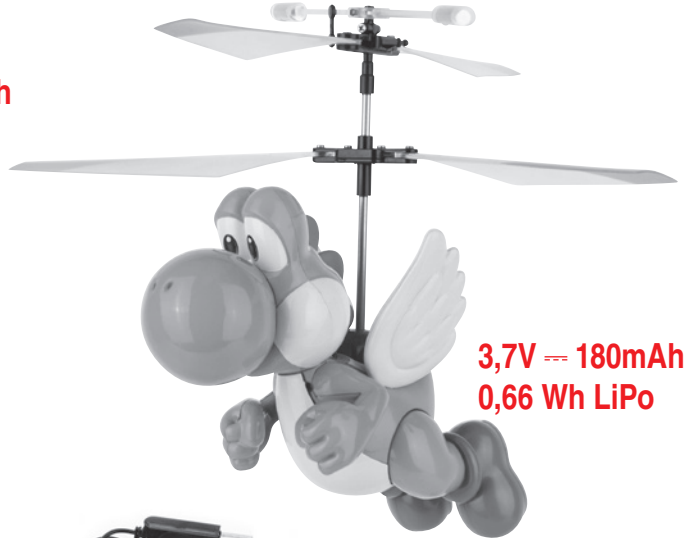
**carrera-rc.com**

*Made in China, Shantou*

1



3,7V == 180mAh  
0,66 Wh LiPo



3,7V == 180mAh  
0,66 Wh LiPo

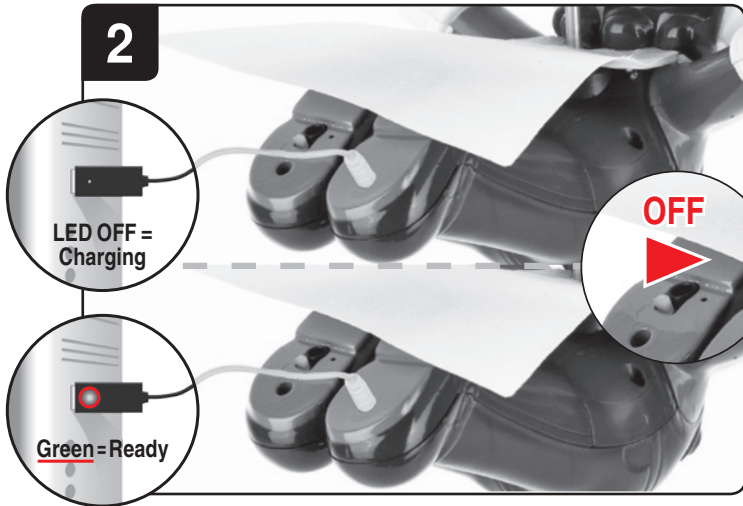


2x 1.5 V Micro  
AAA batteries

TM & © 2017 Nintendo. All Rights Reserved.

\* Nur ein Modell enthalten - Contains only one model - contient un seul modèle - Contiene sólo un modelo - Contiene un solo modellino - Bevat slechts één model - Contém só uma miniatura - Endast en modell - Sisältää vain yhden radio-ohjattavan - Zawiera tylko jeden model - Csak egy modell tartalmaz - Vključen samo en model - Obsahuje pouze jeden model - Inneholder kun samme modell - Indeholder kun én model - لا يحتوي إلا على موديل واحد فقط - Sadece tek modeli dahildir

2



LED OFF =  
Charging

OFF

Green = Ready

3

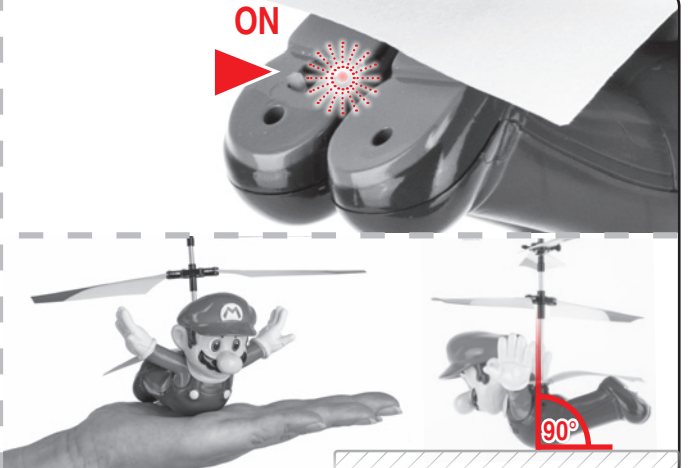
2x 1.5 V Micro AAA batteries

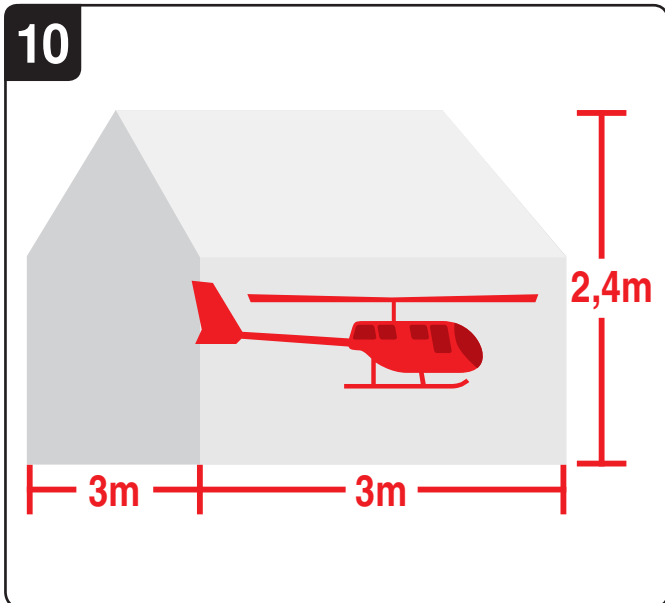
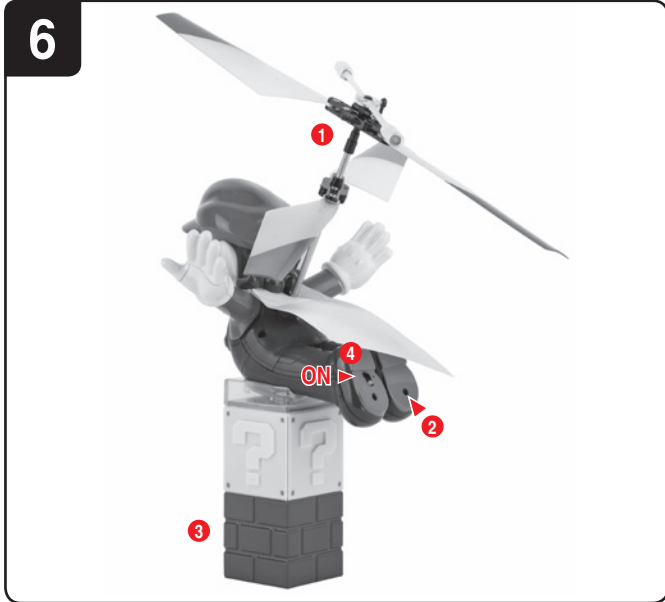


4



ON





## Dear customer

Congratulations! You bought a Carrera RC-helicopter which has been manufactured according to today's state-of-the-art technology. As it is our constant endeavour to develop and improve our products, we reserve the right to make modifications, either of a technical nature or with respect to features, materials, and design, at any time, and without prior notice. For this reason, no claims will be accepted for any slight deviations in your product from the data and illustrations contained in these instructions. These operating and assembly instructions are an integral part of the product. Non-observance of these operating instructions and the safety instructions they contain will render the guarantee null and void. These instructions are to be kept for future reference and in the event that the product is passed on to a third party.

**For the latest version of these operating instructions and information on replacement and spare parts available, please visit [carrera-rc.com](http://carrera-rc.com) in the service area.**

## Guarantee conditions

Carrera products are technically advanced products which should be handled with care. It is important to follow the directions given in the operating instructions. All components have been subjected to careful inspection (technical modifications and alterations to the model for the purpose of product improvement are reserved).

**Should any faults nevertheless occur, guarantee is assumed within the scope of the following conditions:**

In accordance with the following provisions, Stadlbauer Marketing + Vertrieb GmbH (hereinafter referred to as "manufacturer") warrants to the endconsumer (hereinafter referred to as "customer") that the Carrera RC-model-helicopter (hereinafter referred to as "product") delivered to the customer shall be free from defects in material or workmanship for two years from the date of purchase (guarantee period). Such defects will, at the manufacturer's option, either be repaired by the manufacturer or fixed by delivering new or refurbished parts free of charge. The warranty does not cover failure due to normal wear and tear, (e.g. to batteries, rotor blades, cabin covering, gear wheels etc.), or damage as a result of improper handling/misuse or unauthorised interference. Any other customer's claims asserted against the manufacturer, especially action for damages, shall be excluded.

The contractual and statutory rights of the customer against the seller (supplementary performance, rescission of the contract, abatement, compensation) which exist with the product not having been free from defects at the time of the passing of risk, shall remain unaffected by this warranty.

**Claims from this special warranty shall only be valid if:**

- the defect reported has not arisen by damage caused by unintended use or misuse as specified in the instruction manual,
- the failure of the product is not due to normal wear and tear
- the product does not show any signs resulting from repairs or other interferences carried out by workshops not having been authorised by the manufacturer,
- the product has only been operated with accessories authorised by the manufacturer and
- the product is sent in together with the original proof of purchase (invoice / receipt) and the completely filled in warranty card which has not been altered in any way.

**Guarantee cards cannot be replaced.**

**Note for EU countries:** Reference is hereby made to the seller's statutory guarantee obligation, to the extent that this guarantee obligation is not restricted by the product guarantee. The manufacturer shall bear the costs for sending in and returning the product.

This warranty shall be valid to the extent aforementioned and under the above-named circumstances (including the submission of the original proof of purchase also in case of resale) for any future owner of the product.

## Declaration of conformity

Stadlbauer Marketing + Vertrieb GmbH hereby declares that this model including the controller conforms with the fundamental requirements of the following EC directives: EC Directives 2009/48 and 2014/30/EU regarding electromagnetic compatibility and the other relevant regulations of Directive 2014/53/EU (RED).

The original declaration of conformity can be requested from [carrera-rc.com](http://carrera-rc.com).



Maximum radio-frequency power transmitted <10 dBm  
Frequency range: 2400 – 2483.5 MHz

## Warning!



**WARNING!** This toy contains small parts which can be swallowed and is therefore not suitable for children under 3 years of age.

**WARNING!** danger of pinching during operation! Remove all packaging materials and wire fastenings before handing the toy over to the child. For information and to answer any questions, please retain packaging, address and instructions in a safe place for future reference. Adult supervisors note: please check that the toy has been assembled in accordance with the instructions. Assembly should be carried out under the supervision of an adult.

**WARNING! Not suitable for children under 8 years old!**

This product is not intended for use by children without supervision of a parent. Flying the helicopter requires skill and children must be trained under the direct supervision of an adult. Read the user's information together with your child before the first use. Inappropriate use may result in severe injuries and/or damage to property.

It has to be operated with care and caution and requires both mechanical and mental skills. The operating instructions contain notes on safety and technical regulations as well as information on maintaining and operating the product. It is indispensable to read these instructions thoroughly before the first usage. Only this helps to avoid accidents with injuries and damage.

**For safe use, the room where the toy is used must be sufficiently large.**

Hands, hair and loose clothing, including other objects such as pens and screwdrivers must be kept away from the propeller (rotor). Do not touch the rotating rotor. Especially take care that your hands DO NOT get close to the rotor blades!

**CAUTION: Risk of eye injuries. Do not fly near your face to avoid injuries.**

**As user of this product you are solely responsible for handling it safely in order to ensure that neither you nor other persons or their property suffer damages or are endangered.**

- Never use your model with weak remote control batteries.
- This toy is only designed to be used in a home environment.
- **CAUTION: Do not start up and fly when persons, animals or any obstructions are within the flying range of the helicopter.**
- Exactly observe the instructions and warnings for this product and for any possible additional equipment (battery charger, rechargeable batteries etc.) being used by you.
- **Should the helicopter come into contact with any living thing or solid object, immediately return the gas control to zero, in other words the left-hand joystick must be at the stop at the bottom of the slide!**
- Avoid any moisture as this might do damage to the electronics.
- Do not change or modify anything on the helicopter.

If you do not agree to these terms please immediately return the complete helicopter model in new and unused condition to the retailer.

## Important information concerning Lithium Polymer rechargeable batteries

Lithium-Polymer (LiPo) rechargeable batteries are significantly more sensitive than traditional alkali- or NiMH-rechargeable batteries which are normally used with radio control units. Therefore the instructions and warnings have to be observed in detail. In case of improper use of LiPo rechargeable batteries there is a danger of fire. Always follow the manufacturers' instructions if you dispose of LiPo rechargeable batteries.

## Regulations on disposal for waste electrical and electronic equipment (WEEE)



This symbol, showing refuse bins with a cross through them, denotes that empty batteries, rechargeable batteries, button cells, rechargeable battery packs, equipment batteries, disused electrical equipment, etc. should not be disposed of in domestic refuse, as they are harmful to the environment and health. Please help to preserve environment and health and talk to your children about the correct disposal of used batteries and disused electrical equipment. Batteries and disused electrical equipment should be handed in to the usual collection points where they can be properly recycled.

Do not mix dissimilar battery types or employ new and used batteries together. Empty batteries should be removed from the product. Do not recharge non-rechargeable batteries due to risk of explosion.

**WARNING!**

This charger respectively USB-adaptor can be used by children aged from 8 years and above and persons with reduced physical, sensory or mental capabilities or lack of experience and knowledge if they have been given supervision or instruction concerning use of the charger respectively USB-adaptor in a safe way and understand the hazards involved. Children shall not play with the USB-adaptor. Cleaning and user maintenance shall not be made by children unless they are older than 8 and supervised.

Keep the charger respectively USB-adaptor and its cord out of reach of children less than 8 years. **Never leave the battery unattended while it is charging.** Exhausted batteries are to be removed from the toy. Rechargeable batteries should be removed from the product before charging. Supply terminal are not to be short-circuited. Only use the batteries recommended or equivalent types.

If in regular use the charger must be examined for damage to the cord, plug, covers and all other parts. If any signs of damage are found the charger may only be used again after repair work has been completed. The external flexible cable or cord of this charger cannot be replaced: If the cord is damaged the charger shall be scrapped.

The toy is only to be connected to Class II equipment bearing the following symbol.

## FCC statement

This device complies with Part 15 of the FCC Rules.

Operation is subject to the following two conditions:

- (1) this device may not cause harmful interference, and
  - (2) this device must accept any interference received, including interference that may cause undesired operation.
- Changes or modifications not expressly approved by the party responsible for compliance could void the user's authority to operate the equipment.

## Guidelines and warnings for the use of LiPo rechargeable batteries

- You have to charge the attached 3.7 V --- 180 mAh LiPo rechargeable battery in a safe place and at a safe distance to flammable material.
- Never leave the battery unattended while it is charging
- After a flight, the rechargeable battery has to cool down to the ambient air temperature before charging it.
- You must always use the corresponding LiPo charging unit (USB cable / remote control). In case of non-compliance with these directions there is a danger of fire resulting in a health risk and/or damage to property. NEVER use any other battery charger.
- Should the rechargeable battery swell or deform while discharging or recharging, you have to immediately stop charging or discharging the battery. Take the battery out as quickly and carefully as possible and place it in a safe and open area offside any inflammable material and watch it for at least 15 minutes. In case you continue charging or discharging a battery which has already started to swell or deform there is a danger of fire! Even in case of slight deforming or ballooning the rechargeable battery has to be taken out of operation.

- Store the rechargeable battery at ambient temperature in a dry place.
- **Always recharge the battery immediately after use to prevent its becoming deep discharged. Please make sure to allow a pause of about 20 minutes between finishing the flight and recharging the battery. Recharge the battery occasionally (suggested every 2-3 months). Failure to treat the battery as described above can lead to its becoming defective.**
- When transporting or temporarily storing the rechargeable battery the temperature should be between 5-50°C. If possible, do not store the battery or the model in a car and do not expose it to direct sunlight. In case the battery is broiled it can be damaged or catch fire.

**Note:** If the battery voltage/output is low you will recognise that a considerable trim and/or controlling is necessary to avoid that the helicopter starts trundling. This usually occurs before reaching a battery voltage of 3 V and it is a good moment to end the flight.

## Contents of package

- 1x Helicopter  
1x Controller  
1x Display- & charging socket  
1x USB charging cable  
2x 1.5 V Micro AAA batteries (non-rechargeable)

## Recharging the LiPo rechargeable battery

Make sure you only charge the LiPo rechargeable battery supplied with the LiPo charging unit also supplied (USB cable and remote control). In case you try to charge the rechargeable battery with a different LiPo battery charger or any other battery charger, this might cause serious damages. Please carefully read the previous chapter about warnings and guidelines on the usage of rechargeable batteries before proceeding.

- Charging via computer:**
  - Connect the USB charging cable with the USB port of a computer. The LED on the USB charger cable lights green indicating that the charger unit is correctly connected to the computer. If you plug in a helicopter with a discharged battery, the LED on the USB charging cable does not light up; this shows that the helicopter battery is being charged. The USB charging cable and the charging socket on the helicopter are designed to make incorrect connection impossible.
  - It takes about 30 minutes to recharge a discharged battery (but NOT a deep-discharged one). When the battery is fully charged, the LED display on the USB charger cable lights up green again.

**Note:** When supplied, the lipo-battery is already partially charged so the first charging cycle may well take less time.

**It is essential to follow the connection sequence given above! If you have the charger cable only connected to the helicopter, and not to a source of electricity, a green LED display indicates that there is still power in the battery. The green LED display does not necessarily indicate the battery is still adequately charged.**

**While charging, the power switch must be in the "OFF" position.**

## Inserting the batteries in the remote control

- Open the battery compartment with a screwdriver and insert the batteries in the remote control. Please keep in mind the correct polarity. After having closed the compartment you can check all functions of the remote control with the help of the power-switch on the front. With the power-switch turned ON and proper functioning, the top center LED on the remote control will light up red. When the control LED flashes rapidly, the batteries in the controller must be changed.

## Frequency bind between model and remote control

- The Carrera RC helicopter and the remote control are frequency bound at purchase. Should there occur any problems with the communication between the Carrera RC helicopter and the remote control at the beginning, please carry out a new frequency bind.

- Remove the model from its presentation plinth.
- Switch on the model at the ON/OFF switch.
- The LED in the helicopter now flashes in rhythmically-accelerating sequence.
- Slide the left joystick completely down. Switch on the controller at the ON/OFF switch. The bond will take place automatically. While connecting, the controller emits a signal tone.
- Hold the model so that the rotor blades are horizontal.
- Allow the helicopter a few moments until the system is correctly initialised and is ready for operation.
- The control LED now lights continuously once again, indicating that the connection is ended.

## Checklist for flight preparation

This checklist does not replace the contents of the operating instructions. Although it can be used as a quick-start-guide we strongly advise to first read the operating instructions in detail before you proceed.

- Check the contents of the package
- Connect the charging unit to the source of power.
- Charge the lipo-battery as described in the section "Charging the lipo-battery".
- Fit two AAA batteries in the controller, making sure their polarity is correct.
- Look for a suitable environment for flying
- Proceed as described in **4**.
- Repeat the above points as required, if you wish to fly more helicopters at the same time.
- Check the control system
- Start the helicopter from one hand. At the same time, hold the controller in the other hand so that you can take over control of the helicopter immediately.
- **WARNING! THE MODEL FLIES FORWARDS BY ITSELF AND CAN ONLY BE CONTROLLED IN HEIGHT AND DIRECTION**
- Make yourself familiar with the control system
- Trim the helicopter as necessary as described under "Controlling the helicopter".
- The helicopter is now ready to be flown.
- If the helicopter displays no functions, retry the above binding procedure.
- Fly the model
- Land the model
- **Switch the model off at the ON/OFF switch (3 sec.).**
- Always switch off the remote control last

## Range of functions of the remote control

1. Antenna
2. Power switch (ON / OFF)
3. Control LED
4. Gas - tail (spinning in circles)
5. Tail (spinning in circles)
6. Trimmer for tail
7. Battery compartment

## Description of helicopter

- 6 1. Coaxial rotor system
2. Socket for charging the lipo-battery
3. Display- & charging socket
4. ON/OFF switch

## Controlling the helicopter

- 7 In case you don't know the control functions of your Carrera RC helicopter yet, please take some minutes before the first flight in or to make yourself familiar with them. The descriptions left or right refer to the view out of the cockpit (pilote's view). Push the throttle up to increase the rotational speed of the main rotor blades. Increase the rotational speed of the main rotor blades and the model will start to ascend. If you push down the throttle and thus reduce the rotational speed of the main rotor blades the helicopter will descend. When the model has lifted off the ground you can get it into stationary hovering without abrupt ascending or descending by carefully moving the throttle upwards and downwards.

- 8 Move the right lever (tail) to the left and the helicopter's nose turns (yaws) round the main rotor's axis in a circle to the left. Move the right lever (tail) to the right and the helicopter's nose turns (yaws) round the main rotor's axis in a circle to the right. Use the trimmer for tail until you have reached a stable neutral position of the helicopter when hovering, without moving the right lever (tail).

- 9 **WARNING! THE MODEL FLIES FORWARDS BY ITSELF AND CAN ONLY BE CONTROLLED IN HEIGHT AND DIRECTION**

After having made yourself familiar with the main control functions and having chosen an appropriate area for flying the helicopter, you can start the first flight.

## Choosing the flight area

- 10 **When being prepared for the first flight you should choose a closed room without any persons or obstacles which is as big as possible. Due to the size and controllability of the helicopter experienced pilotes may be able to fly the helicopter in relatively small rooms. For your first flights we strongly recommend to choose a room with a minimum floor space of 3 x 3 metres and 2.40 metres of height. After having trimmed your helicopter for flight and having made yourself familiar with the controlling and its functions you may start flying in smaller and less open environments. This toy is intended to be used in domestic area (house and garden) only.**

Information on trouble-shooting will be found on page 42.

Errors and changes excepted  
Colours / final design – changes excepted  
Technical changes and design-related changes excepted  
Pictograms = symbolic photos

## Αξιότιμε πελάτη

Συγχαρητήρια για την αγορά του μοντέλου ελικοπτερου της Carrera RC, κατασκευασμένο σύμφωνα με τα σημερινά πρότυπα της τεχνολογίας. Επειδή προσπαθούμε πάντοτε να βελτιώσουμε την εξέλιξη και ανάπτυξη των προϊόντων μας, επιφύλασσομαστε για τυχόν τεχνικές αλλαγές στον εξοπλισμό, στα υλικά και στο σχέδιο του ελικοπτερου οποιαδήποτε στιγμή και χωρίς καμία προειδοποίηση. Μικρές αποκλίσεις του αγορασθέντος προϊόντος από τα στοιχεία και τις φωτογραφίες αυτών των οδηγίων σε καμία περίπτωση δεν μπορούν να θεμελιώσουν αξιώσεις οποιασδήποτε μορφής. Αυτές οι οδηγίες χρήσης και συναρμολόγησης αποτελούν αναπόσπαστο συμπλήρωμα του προϊόντος. Η εγγύηση παύει να ισχύει αν δεν τηρηθούν οι οδηγίες χρήσης και οι οδηγίες ασφαλείας που περιέχονται σε αυτές. Φυλάξτε αυτές τις οδηγίες για να μπορείτε να τις διαβάσετε αργότερα και να τις παραδώσετε μαζί με το μοντέλο σε τρίτους.

Την τελευταία και πιο ενημερωμένη έκδοση αυτών των οδηγιών χρήσης, όπως και πληροφορίες για ανταλλακτικά θα βρείτε στο [carrera-rc.com](http://carrera-rc.com) στον τομέα Service.

## Όροι εγγύησης

Τα προϊόντα Carrera είναι προϊόντα υψηλής ποιότητας και τεχνολογίας, τα οποία πρέπει να αντιμετωπίζονται με ιδιαίτερη φροντίδα. Προσέχετε απαραίτητα τις υποδείξεις στις οδηγίες χρήσης. Όλα τα τεμάχια ελέγχονται διεξοδικά (με την επιφύλαξη για τεχνικές αλλαγές και τροποποιήσεις στα μοντέλα, οι οποίες αποσκοπούν στη βελτίωση των προϊόντων). Εάν παρ' όλα αυτά εμφανιστεί κάποια βλάβη, αυτή καλύπτεται στα πλαίσια των όρων της εγγύησης: Η Stadlbauer Marketing + Vertrieb GmbH (στο εξής αποκαλούμενη „Κατασκευαστής“) εγγυάται στον τελικό πελάτη (στο εξής αποκαλούμενος „Πελάτης“) σύμφωνα με τους ακόλουθους όρους, ότι το μοντέλο ελικοπτερου Carrera RC (στο εξής αποκαλούμενο „Προϊόν“) που παραδόθηκε στον πελάτη, δεν θα παρουσιάσει εντός χρονικού διαστήματος δύο ετών από την ημερομηνία αγοράς του (χρόνος εγγύησης) βλάβη που να προέρχεται από σφάλμα ή κακή επεξεργασία υλικού. Ο κατασκευαστής μπορεί βλάβες και σφάλματα να τα αποκαταστήσει με δικά του έξοδα και κατά την κρίση του με επισκευή του προϊόντος ή με την παράδοση νέων ή πλήρως συνηρημένων τμημάτων. Η εγγύηση δεν καλύπτει φθαρμένα εξαρτήματα (όπως π.χ. την επαναφορτιζόμενη μπαταρία, πτερύγια έλικας, κάλυμμα καμπίνας, γρανάτζι), βλάβες που οφείλονται σε κακή μεταχείριση/χρήση του προϊόντος ή επεμβάσεις τρίτων. Άλλες αξιώσεις του πελάτη, ιδιαίτερα ως προς την καταβολή αποζημίωσης, έναντι του κατασκευαστή ρητά αποκλείονται. Η εγγύηση δεν επηρεάζει τα δικαιώματα που απέκτησε ο πελάτης από τη σύμβαση ή το νόμο (μεταγενέστερη εκπλήρωση, ακύρωση της σύμβασης, μείωση τιμήματος, αποζημίωση) έναντι του εκάστοτε πωλητή, τα οποία ισχύουν, όταν το προϊόν στη μετέβαση του κινδύνου δεν βρισκόταν σε άωγη κατάσταση.

**Αξιώσεις από αυτήν την εγγύηση υφίστανται μόνον όταν**

- το σφάλμα δεν αφορά βλάβες, που προκλήθηκαν από μία κατά τις παραδοχές στις οδηγίες χρήσης, κακή ή μη σύμφωνα με αυτές χρήση,
- το σφάλμα δεν οφείλεται σε λειτουργικές φθορές,
- στο προϊόν δεν διακρίνονται εξωτερικές επεμβάσεις ή επισκευές από συνεργεία που δεν είναι εξουσιοδοτημένα από τον κατασκευαστή,
- στο προϊόν χρησιμοποιήθηκε μόνο ο εξοπλισμός που έχει εγκριθεί από την κατασκευαστή και
- το προϊόν αποσταλεί μαζί με τη γνήσια απόδειξη αγοράς (πιμολόγιο / απόδειξη ταμειακής μηχανής) και την πλήρως συμπληρωμένη κάρτα εγγύησης χωρίς οποιαδήποτε μεταβολή των στοιχείων της από τον πελάτη.

**Δεν είναι δυνατή η αντικατάσταση των καρτών εγγύησης.**

**Υπόδειξη για κράτη της ΕΕ:** Υποδεικνύεται στον πελάτη ότι ο πωλητής έχει την υποχρέωση παροχής εγγύησης από το νόμο, η οποία δεν περιορίζεται με κανένα τρόπο από την ως προς το αντικείμενο εγγύησης.

Τα έξοδα της αποστολής και τα τέλη επιστροφής του προϊόντος αναλαμβάνει ο κατασκευαστής. Αυτή η εγγύηση ισχύει όπως αναφέρεται στα προηγούμενα και υπό τις ως άνω προϋποθέσεις (στις οποίες συμπεριλαμβάνεται και η επίδειξη της γνήσιας απόδειξης αγοράς ακόμη και στην περίπτωση μίας καταπινής πώλησης) και για κάθε μελλοντικό ιδιοκτήτη του προϊόντος.

## Δήλωση συμμόρφωσης

H Stadlbauer Marketing + Vertrieb GmbH δηλώνει δια της παρούσης ότι το μοντέλο αυτό συμπεριλαμβανομένου του χειριστήριου (Controller) συμμόρφων με τις βασικές απαιτήσεις των ακόλουθων οδηγιών της ΕΚ: Στο πνεύμα των Οδηγιών της ΕΕ 2009/48 και 2014/30/ΕΥ για την ηλεκτρομαγνητική συμβατότητα και των άλλων σχετικών διατάξεων της Οδηγίας 2014/53/ΕΥ (RED).

Το πρωτότυπο της δήλωσης συμμόρφωσης μπορείτε να το ζητήσετε από την [carrera-rc.com](http://carrera-rc.com).



Μέγιστη ισχύς ραδιοσυχνότητας <10dBm  
Περιοχή συχνότητας: 2400 – 2483,5 MHz

## Προειδοποιήσεις!



**ΠΡΟΕΙΔΟΠΟΙΗΣΗ!** Το συγκεκριμένο παιχνίδι δεν είναι κατάλληλο για παιδιά κάτω των 3 ετών, λόγω κινδύνου κατάποσης μικρών εξαρτημάτων.  
**ΠΡΟΕΙΔΟΠΟΙΗΣΗ!** Κίνδυνος μαγκώματος κατά τη λειτουργία! Απομακρύνετε όλα τα υλικά συσκευασίας και τα σύμφωνα στερέωσης προτού δώσετε το παιχνίδι στο παιδί. Για πληροφορίες και ενδεχόμενες ερωτήσεις, φυλάξτε τη συσκευασία και τη διεύθυνση καθώς και τις οδηγίες χρήσης και για το μέλλον. Υπόδειξη για ενήλικα επιβλέποντα άτομα: Ελέγξτε αν το παιχνίδι έχει συναρμολογηθεί σύμφωνα με τις οδηγίες. Η συναρμολόγηση πρέπει να γίνεται υπό την επίβλεψη ενός ενήλικα.

**ΠΡΟΕΙΔΟΠΟΙΗΣΗ!** Δεν ενδείκνυται για παιδιά κάτω των 8 ετών!

Το προϊόν αυτό δεν προορίζεται για χρήση από παιδιά χωρίς την επίβλεψη των κηδεμόνων τους. Για τον έλεγχο του ελικοπτερου απαιτείται κάποια εξάσκηση. Η εξάσκηση αυτή σε παιδιά πρέπει να ελέγχεται από ενήλικα. Διαβάστε πριν από την πρώτη λειτουργία τις οδηγίες χρήσης μαζί με το παιδί σας. Σε περίπτωση εσφαλμένου χειρισμού μπορεί να προκληθούν σοβαροί τραυματισμοί και/ή υλικές ζημιές. Πρέπει να ελέγχεται προσεκτικά και απαιτεί ιδιαίτερες μηχανικές και πνευματικές ικανότητες. Οι οδηγίες περιέχουν υποδείξεις ασφαλείας και προδιαγραφές, καθώς επίσης υποδείξεις για τη συντήρηση και λειτουργία του προϊόντος. Οι οδηγίες αυτές πρέπει, πριν από την έναρξη λειτουργίας του προϊόντος, να διαβαστούν και να κατανοηθούν καλά. Μόνον έτσι μπορούν να αποφευχθούν τραυματισμοί και υλικές ζημιές.

**Το ελικόπτερο επιτρέπεται να πετάει μόνο σε κλειστό χώρο με επαρκή χώρο ενώ θα πρέπει να ακολουθούνται επακριβώς όλες οι οδηγίες που περιγράφονται εδώ.**

Βεβαιωθείτε ότι δεν μπορούν να εμπλακούν στον έλικα (ρότορα), ούτε να έλθουν σε επαφή με αυτόν χέρια, μαλλιά και ρούχα ή άλλα αντικείμενα όπως μολύβια και κατασβίδια.

Μην ακουμπάτε τον περιστρεφόμενο ρότορα. Προσέχετε ιδιαίτερα τα χέρια σας να ΜΗΝ πληρώσουν τα πτερύγια του έλικα!  
**ΠΡΟΕΙΔΟΠΟΙΗΣΗ:** Κίνδυνος τραυματισμών των ματιών. Μην αφήνετε το ελικόπτερο να πετάει κοντά στο πρόσωπό σας για να αποφύγετε τους τραυματισμούς.

**Σαν χρήστη αυτού του προϊόντος θεωρείται αποκλειστικά υπεύθυνος για τον ασφαλή χειρισμό του. Τηρείτε επομένως πιστά τις οδηγίες, έτσι ώστε να μην διακινδυνεύσετε ούτε εσείς, ούτε και τα άλλα πρόσωπα που πιθανόν να βρισκόμαστε κοντά σας.**

- Μη χρησιμοποιείτε το μοντέλο σας με ασθεινείς μπαταρίες χειριστήριου (Controller).
- Αυτό το παιχνίδι προορίζεται μόνο για χρήση στο σπίτι.
- **ΠΡΟΕΙΔΟΠΟΙΗΣΗ:** Πριν από την εκκίνηση του ελικοπτερου δεν πρέπει να βρίσκονται άτομα, ζώα ή άλλα εμπόδια στην περιοχή πτήσης του ελικοπτερου.
- Ακολουθείτε ακριβώς τις οδηγίες και προειδοποιητικές υποδείξεις για αυτό το προϊόν και τον πρόσθετο εξοπλισμό του (φορτιστής, επαναφορτιζόμενη μπαταρία κ.λπ.), που χρησιμοποιείτε.
- Σε περίπτωση που το ελικόπτερο έλθει σε επαφή με ανθρώπους, ζώα ή σκληρά αντικείμενα, θέστε αμέσως τον μοχλό γκαζιού στη μηδενική θέση, αυτό σημαίνει ότι το αριστερό Joystick πρέπει να μετακινήσει στο κάτω τέρμα!
- Αποφύγετε την υγρασία, επειδή μπορεί να προκαλέσει ζημιά στο ηλεκτρονικό σύστημα.
- Μην εκτελείτε στο ελικόπτερο καμία εργασία ή αλλαγή.

Σε περίπτωση που δεν συμφωνείτε με αυτούς τους όρους επιστρέψτε άμεσα το πλήρες μοντέλο του ελικοπτερου, αχρησιμοποίητο, στο εμπορικό κατάστημα όπου το αγοράσατε.

## Σημαντικές πληροφορίες για τις επαναφορτιζόμενες μπαταρίες λιθίου-πολυμερούς

Οι επαναφορτιζόμενες μπαταρίες λιθίου-πολυμερούς (LiPo) είναι σημαντικά πιο ευαίσθητες από τις συνηθισμένες επαναφορτιζόμενες αλκαλικές ή NiMH μπαταρίες, που χρησιμοποιούνται στους τηλεχειρισμούς. Γι αυτόν τον λόγο πρέπει να ακολουθούνται πιστά οι προδιαγραφές και οι προειδοποιητικές υποδείξεις. Σε περίπτωση εσφαλμένου χειρισμού των επαναφορτιζόμενων μπαταριών LiPo υπάρχει κίνδυνος πυρκαγιάς. Προσέχετε πάντοτε τις οδηγίες του κατασκευαστή κατά την απόρριψη των επαναφορτιζόμενων μπαταριών LiPo.

## Διατάξεις απόρριψης και διαχείρισης ηλεκτρικών και ηλεκτρονικών παλαιών συσκευών σύμφωνα με τη WEEE



Το σύμβολο που απεικονίζεται εδώ με τον διαγραφέντα κώδο απορριμμάτων υποδεικνύει ότι άδειες μπαταρίες, επαναφορτιζόμενες μπαταρίες, επίπεδες μπαταρίες, συσσωρευτές, μπαταρίες συσκευών, ηλεκτρικές παλαιές συσκευές δεν ανήκουν στον κώδο οικιακών απορριμμάτων, διότι βλάπτουν το περιβάλλον και την υγεία. Βοηθείστε και εσείς ώστε να μην βλάψουμε το περιβάλλον και την υγεία μας και μάλιστα επίσης με τα παιδιά σας για τον τρόπο που πρέπει να απορριπτούμε τις μεταχειρισμένες μπαταρίες και τις ηλεκτρικές παλαιές συσκευές. Οι μπαταρίες και οι ηλεκτρικές παλαιές συσκευές πρέπει να παραδίδονται στα γνωστά σημεία αποκομιδής. Με τον τρόπο αυτό συμμετέχουν στη διαδικασία μίας ορθής ανακύκλωσης. Δεν επιτρέπεται να χρησιμοποιούνται μαζί μπαταρίες διαφορετικών τύπων ή καινούργιες και μεταχειρισμένες μπαταρίες. Αφαιρείτε τις άδειες μπαταρίες από το παιχνίδι. Οι μη επαναφορτιζόμενες μπαταρίες δεν επιτρέπεται να φορτίζονται, διότι υπάρχει κίνδυνος να εκραγούν.

## ΠΡΟΕΙΔΟΠΟΙΗΣΗ!

Ο φορτιστής ή το USB καλώδιο φόρτισης μπορεί να χρησιμοποιείται από παιδιά ηλικίας οκτώ (8) ετών και άνω, καθώς και από άτομα με μειωμένες φυσικές, αισθητήριες ή πνευματικές ικανότητες ή έλλειψη πείρας και/ή γνώσεων, όταν επιβλέπονται ή έχουν εκπαιδευτεί σε σχέση με την ασφαλή χρήση της συσκευής και κατανοούν τους κινδύνους που απορρέουν από αυτήν. Μην αφήνετε παιδιά να παίζουν με τον φορτιστή ή το USB καλώδιο φόρτισης. Ο καθαρισμός και η συντήρηση από τον χρήστη δεν πρέπει να εκτελούνται από παιδιά, εκτός αν έχουν ηλικία άνω των 8 ετών και επιτηρούνται.

Παιδιά κάτω των 8 ετών πρέπει να κρατούνται μακριά από τον φορτιστή και το καλώδιο σύνδεσης. **Κατά τη φόρτιση μην αφήνετε την μπαταρία χωρίς επίτηρηση.** Αφαιρείτε τις επαναφορτιζόμενες μπαταρίες από το παιχνίδι πριν από τη φόρτιση. Απαγορεύεται η βροχολύκωση των ακροδεκτών σύνδεσης. Πρέπει να χρησιμοποιούνται αποκλειστικά οι συνιστώμενες μπαταρίες ή μπαταρίες αντίστοιχου τύπου. Όταν ο φορτιστής χρησιμοποιείται τακτικά πρέπει να ελέγχονται το καλώδιο, η σύνδεση, τα καλώδια και τα υπόλοιπα εξαρτήματά του. Σε περίπτωση βλάβης θα πρέπει ο φορτιστής να τεθεί πάλι σε λειτουργία μόνον αφού πρώτα επισκευαστεί. Το εύκαμπο εξωτερικό καλώδιο αυτού του φορτιστή δεν μπορεί να αντικατασταθεί! Αν το καλώδιο είναι ελαστωματικό, πρέπει να καταστραφεί ο φορτιστής. Το παιχνίδι επιτρέπεται να συνδέεται μόνο σε συσκευές της Κατηγορίας προστασίας II. □

## Οδηγίες και προειδοποιητικές υποδείξεις για τη χρήση της LiPo επαναφορτιζόμενης μπαταρίας

- Η επαναφορτιζόμενη μπαταρία 3,7 V = 180 mAh LiPo μπορεί να φορτιστεί σε ένα ασφαλές μέρος μακριά από εύφλεκτα υλικά.
- Κατά τη φόρτιση μην αφήνετε την μπαταρία χωρίς επίτηρηση.
- Προτού ξεκινήσετε με τη φόρτιση, μετά από μία πτήση, θα πρέπει πρώτα η επαναφορτιζόμενη μπαταρία να κρυώσει και να φθάσει τη θερμοκρασία του περιβάλλοντος.
- Επιτρέπεται να χρησιμοποιείτε μόνο τον παραδιδόμενο με το ελικόπτερο φορτιστή LiPo (USB καλώδιο/ Controller). Εάν δεν τηρήσετε αυτές τις υποδείξεις μπορεί να προκληθεί πυρκαγιά με όλα τα επικινδύνα επακόλουθα. ΠΟΤΕ μην χρησιμοποιείτε άλλο φορτιστή.
- Σε περίπτωση που η επαναφορτιζόμενη μπαταρία αρχίζει να φουσκώνει ή να παραμορφώνεται διακόψτε αμέσως τη φόρτιση ή την εκφόρτιση. Αφαιρέστε αμέσως την επαναφορτιζόμενη μπαταρία από τον φορτιστή, τοποθετήστε την σε ένα ασφαλές, ανοικτό χώρο μακριά από εύφλεκτα υλικά και παρατηρήστε την για τουλάχιστον 15 λεπτά. Εάν συνεχίσετε να φορτίζετε ή να εκφορτίζετε μία επαναφορτιζόμενη μπαταρία που ήδη έχει φουσκώσει ή παραμορφωθεί μπορεί να προκληθεί πυρκαγιά! Ακόμα και αν η παραμόρφωση ή το φούσκωμα είναι πολύ μικρό πρέπει να διακόψετε τη λειτουργία της επαναφορτιζόμενης μπαταρίας.
- Αποθηκεύετε την επαναφορτιζόμενη μπαταρία σε θερμοκρασία δωματίου σε ένα δωμάτιο χωρίς υγρασία.

• **Φορτίστε πάλι την μπαταρία απαραίτητα μετά τη χρήση για να αποφύγετε τη λεγόμενη βαθιά εκφόρτιση της επαναφορτιζόμενης μπαταρίας. Προσέξτε να μεσολαβείτε μεταξύ πτήσης και φόρτισης ένα διάλειμμα περ. 20 λεπτών. Φορτίζετε την επαναφορτιζόμενη μπαταρία ανά τακτά χρονικά διαστήματα (περ. κάθε 2-3 μήνες). Εάν δεν τηρηθεί αυτή η οδηγία, είναι δυνατό να προκληθούν βλάβες στην επαναφορτιζόμενη μπαταρία.**

• Για τη μεταφορά ή προσωρινή αποθήκευση της επαναφορτιζόμενης μπαταρίας η θερμοκρασία πρέπει να είναι περίπου 5-50°C. Αποθηκεύετε την επαναφορτιζόμενη μπαταρία ή το μοντέλο, αν είναι δυνατό, όχι στο αυτοκίνητο και όχι σε σημείο εκτεθειμένο άμεσα στην ηλιακή ακτινοβολία. Εάν η επαναφορτιζόμενη μπαταρία εκτεθεί μέσα στο αυτοκίνητο σε υψηλή θερμοκρασία, μπορεί να πάθει ζημιά και να πάσει φωτιά.

**Υπόδειξη:** Όταν η τάση/ισχύς της μπαταρίας είναι χαμηλή θα διαπιστώσετε ότι απαιτούνται ιδιαίτερες κινήσεις ελέγχου και αντιστάθμισης κατά την πτήση και έντονη προσπάθεια για να μην περιέλθει το ελικόπτερο σε δίνη. Αυτό κατά κανόνα παρουσιάζεται προτού πάσει η τάση της επαναφορτιζόμενης μπαταρίας στα 3 V και αποτελεί ένδειξη ότι πρέπει να διακόψετε την πτήση.

## Παραδοτέος εξοπλισμός

- 1x ελικόπτερο  
1x Controller (χειριστήριο)  
1x Περιέχει βάση παρουσίασης και φόρτισης  
1x Καλώδιο φόρτισης USB  
2x 1,5 V Micro AAA μπαταρίες (μη επαναφορτιζόμενες)

## Φόρτιση της μπαταρίας LiPo

Προσέχετε να φορτίζετε την μπαταρία LiPo του ελικοπτερου μόνο με τον φορτιστή LiPo (USB καλώδιο/ Controller) που συνοδεύει την επαναφορτιζόμενη μπαταρία. Εάν προσπαθήσετε να φορτίσετε την επαναφορτιζόμενη μπαταρία με έναν άλλο φορτιστή LiPo ή έναν οποιοδήποτε άλλο φορτιστή, μπορεί να προκληθούν σοβαρές ζημιές. Παρακαλούμε διαβάστε προσεκτικά το κεφάλαιο με τις προειδοποιητικές υποδείξεις και οδηγίες χρήσης της επαναφορτιζόμενης μπαταρίας προτού τη χρησιμοποιήσετε.

- 2 **Φόρτιση στον υπολογιστή:**
  - Συνδέστε το USB-καλώδιο φόρτισης με το USB-Port ενός υπολογιστή. Η λυχνία LED στο USB-καλώδιο φόρτισης ανάβει πράσινη και δείχνει ότι ο φορτιστής είναι σωστά συνδεδεμένος με τον υπολογιστή.
  - Όταν συνδέστε ένα ελικόπτερο με μία άδεια επαναφορτιζόμενη μπαταρία παύει να ανάβει η LED στο USB-καλώδιο φόρτισης και δείχνει ότι η επαναφορτιζόμενη μπαταρία του ελικοπτερου φορτίζεται. Το USB καλώδιο φόρτισης ή η υποδοχή φόρτισης στο ελικόπτερο είναι κατασκευασμένα κατά τέτοιο τρόπο, ώστε να αποκλείεται λανθασμένη πολικότητα.
  - Η επαναφόρτιση μίας μέτρια εκφορτισμένης μπαταρίας διαρκεί περίπου 30 λεπτά. Όταν φορτίσει η μπαταρία η ένδειξη LED στο USB-καλώδιο φόρτισης ανάβει πάλι πράσινη.

**Υπόδειξη:** Κατά την αγορά η περιεχόμενη μπαταρία LiPo είναι μερικώς φορτισμένη. Για τον λόγο αυτό η πρώτη φόρτιση διαρκεί συνήθως λιγότερο. Ανοίξτε τη θήκη των μπαταριών με ένα κατσαβίδι και τοποθετήστε τις μπαταρίες στο χειριστήριο.

**Τηρείτε επακριβώς τη σειρά σύνδεσης! Εάν δεν έχετε συνδέσει το καλώδιο φόρτισης με μία πηγή ρεύματος παρά μόνο με το ελικόπτερο, τότε θα δείξει μία πράσινη λυχνία LED ότι στην επαναφορτιζόμενη μπαταρία υπάρχει ακόμη τάση. Η πράσινη λυχνία LED δεν δείχνει αν η επαναφορτιζόμενη μπαταρία είναι επαρκώς φορτισμένη.**

**Κατά τη διάρκεια της φόρτισης ο διακόπτης Power πρέπει να βρίσκεται στο „OFF“.**

## Τοποθέτηση των μπαταριών στο χειριστήριο (Controller)

- 3 Προσέξτε για τη σωστή πολικότητα. Μόλις κλείσετε τη θήκη μπορείτε να ελέγξετε τη λειτουργία του χειριστηρίου με τη βοήθεια του διακόπτη ενεργοποίησης

Power στην μπροστινή πλευρά. Στη θέση ON του διακόπτη Power και κανονική λειτουργία ανάβει κόκκινη η λυχνία LED επάνω στο μέσον του χειριστηρίου. Εάν η LED λυχνία ελέγχου αναβοβλίνει γρήγορα, θα πρέπει να αντικατασταθούν οι μπαταρίες του χειριστηρίου.

## Σύνδεση του μοντέλου με το χειριστήριο

- 4 Το ελικόπτερο Carrera RC και το χειριστήριο (Controller) είναι συνδεδεμένα εργοστασιακά. Εάν προκύψουν στην αρχή προβλήματα επικοινωνίας μεταξύ του ελικοπτερου Carrera RC και του χειριστηρίου εκτελέστε επανασύνδεση.

- Πάρτε το μοντέλο από τη βάση παρουσίασης.
- Ενεργοποιήστε το μοντέλο με τον διακόπτη ON/OFF.
- Η LED στο ελικόπτερο αναβοβλίνει τώρα ρυθμικά με επιταχυνόμενο ρυθμό.
- Μετακινήστε το αριστερό Joystick εντελώς προς τα κάτω. Ενεργοποιήστε το χειριστήριο με τον διακόπτη ON/OFF. Η σύνδεση δημιουργείται αυτόματα. Κατά τη διαδικασία της σύνδεσης ακούγεται ένα ηχητικό σήμα στο χειριστήριο.
- Κρατήστε το μοντέλο έτσι ώστε ο ρότορας να βρίσκεται σε κατακόρυφη θέση προς τα πάνω.
- Περιμένετε λίγο έως ότου το σύστημα του ελικοπτερου αρχικοποιηθεί σωστά και τεθεί σε λειτουργία.
- Η LED ελέγχου ανάβει πάλι συνέχεια και δείχνει ότι η σύνδεση ολοκληρώθηκε.

## Λίστα ελέγχου για την προετοιμασία πτήσης

Η λίστα ελέγχου που ακολουθεί δεν υποκαθιστά τις οδηγίες χρήσης. Αν και μπορεί να χρησιμοποιηθεί σαν ένας οδηγός ταχείας εκκίνησης (Quick-Start-Guide) σας συνιστούμε να διαβάσετε πρώτα αυτές τις οδηγίες λειτουργίας, προτού προχωρήσετε πέρα πέρα.

- Ελέγξτε το περιεχόμενο της συσκευασίας
- Συνδέστε τον φορτιστή με την πηγή ρεύματος.
- Φορτίστε την επαναφορτιζόμενη μπαταρία LiPo όπως περιγράφεται στο μέρος „Φόρτιση της επαναφορτιζόμενης μπαταρίας LiPo“.
- Τοποθετήστε 2 AAA μπαταρίες στο χειριστήριο και προσέξτε τη σωστή πολικότητα.
- Επιλέξτε έναν κατάλληλο χώρο για την πτήση
- Προχωρήστε όπως στο 4
- Επαναλάβετε ενδεχομένως τα βήματα αυτά αν θέλετε να πετάξετε παράλληλα και άλλα ελικόπτερα.
- Ελέγξτε το σύστημα ελέγχου
- Εκκινήστε το ελικόπτερο με το ένα χέρι. Παράλληλα κρατάτε το χειριστήριο με το άλλο χέρι, ώστε να μπορείτε να αναλάβετε αμέσως τον έλεγχο του ελικοπτερου.
- **ΠΡΟΣΟΧΗ! ΤΟ ΜΟΝΤΕΛΟ ΠΕΤΑΕΙ ΑΠΟ ΜΟΝΟ ΤΟΥ ΠΡΟΣ ΤΑ ΕΜΠΡΟΣ ΚΑΙ ΜΠΟΡΕΙ ΝΑ ΕΛΕΧΘΕΙ ΜΟΝΟ ΩΣ ΠΡΟΣ ΤΟ ΥΨΟΣ ΚΑΙ ΤΗΝ ΚΑΤΕΥΘΥΝΣΗ**
- Δοκιμάστε τη λειτουργία του
- Το ελικόπτερο πρέπει να ρυθμιστεί και αντισταθμιστεί έτσι όπως περιγράφεται στο κεφάλαιο „Σύστημα ελέγχου του ελικοπτερου“.
- Το ελικόπτερο είναι πλέον έτοιμο προς χρήση.
- Εφόσον το ελικόπτερο δεν δείχνει κάποια λειτουργία προσπαθήστε να συνδεθείτε ξανά.
- Πετάξτε με το μοντέλο
- Προσγειώστε το μοντέλο
- **Απενεργοποιήστε το ελικόπτερο (3 δευτ.)**
- Απενεργοποιείτε πάντα τελευταίο τον τηλεχειρισμό

## Σύνοψη λειτουργιών του χειριστηρίου

1. Κεραία
2. Διακόπτης Power (ON / OFF)
3. Λυχνία LED ελέγχου
4. Γκάζι
5. Ουρά (κυκλική περιστροφή)
6. Ρυθμιστής ουράς
7. Θήκη μπαταρίας

3

## Περιγραφή του ελικοπτερου

- 6 1. Ομοαξονικό σύστημα ρότορα
2. Υποδοχή φόρτισης της επαναφορτιζόμενης μπαταρίας LiPo
3. Οδόννη / Βάση παρουσίασης
4. Πίσω μέρος (κυκλική κίνηση)

## Έλεγχος του ελικοπτερου

- 7 Εάν δεν γνωρίζετε ακόμη τις λειτουργίες ελέγχου του ελικοπτερου σας Carrera RC αφιερώστε λίγο χρόνο πριν από την πρώτη πτήση για τη σωστή τους εκμάθηση. Η περιγραφή Αριστερά ή Δεξιά αντιστοιχεί στην οπτική γωνία του πιλότου από το Cockpit. Πέστε τον μοχλό γκαζιού προς τα πάνω για να αυξήσετε την ταχύτητα περιστροφής των κύριων πτερυγών ρότορα. Αυξήστε την ταχύτητα περιστροφής των κύριων πτερυγών ρότορα και το ελικόπτερο αρχίζει να ανυψώνεται. Μειώστε το άνοιγμα του μοχλού του γκαζιού και επομένως την ταχύτητα περιστροφής των κύριων πτερυγών του ρότορα και το ελικόπτερο κατέρχεται. Όταν το ελικόπτερο σηκωθεί από το έδαφος μπορείτε με προσεκτικές κινήσεις του μοχλού γκαζιού, προς τα πάνω ή προς τα κάτω, να το φέρετε σε μία σταθερή θέση στον αέρα, χωρίς αυτό να ανέρχεται ή να κατέρχεται απότομα.

- 8 Εάν μετακινήστε τον δεξιό μοχλό (ουρά) προς τα αριστερά η μύτη του ελικοπτερου στρέφεται περι τον άξονα του κύριου ρότορα κυκλικά προς τα αριστερά. Εάν μετακινήστε τον δεξιό μοχλό (ουρά) προς τα δεξιά η μύτη του ελικοπτερου στρέφεται περι τον άξονα του κύριου ρότορα κυκλικά προς τα δεξιά. Χρησιμοποιείτε τον ρυθμιστή αντιστάθμισης για την ουρά μέχρι να επιτύχετε μία σταθερή ουδέτερη θέση του ελικοπτερου στον αέρα, χωρίς να μετακινείτε τον δεξιό μοχλό (ουρά).

- 9 **ΠΡΟΣΟΧΗ! ΤΟ ΜΟΝΤΕΛΟ ΠΕΤΑΕΙ ΑΠΟ ΜΟΝΟ ΤΟΥ ΠΡΟΣ ΤΑ ΕΜΠΡΟΣ ΚΑΙ ΜΠΟΡΕΙ ΝΑ ΕΛΕΧΘΕΙ ΜΟΝΟ ΩΣ ΠΡΟΣ ΤΟ ΥΨΟΣ ΚΑΙ ΤΗΝ ΚΑΤΕΥΘΥΝΣΗ**

Τώρα που γνωρίσατε τις κύριες λειτουργίες ελέγχου, επιλέξτε την περιοχή πτήσης και ετοιμασθείτε για την πρώτη σας πτήση.

## Επιλογή της περιοχής πτήσης

- 10 Εάν είστε έτοιμοι για την πρώτη σας πτήση, επιλέξτε έναν κλειστό χώρο, αρκετά μεγάλο, χωρίς άλλα άτομα και χωρίς εμπόδια. Χάρη στο μικρό του μέγεθος και τον εύκολο χειρισμό του δεν είναι ιδιαίτερα δύσκολο για έναν άπειρο πιλότο να πετάξει με το ελικόπτερο ακόμα και σε μικρούς σχετικά κλειστούς χώρους. Για τις πρώτες πτήσεις σας συνιστούμε απαραίτητα ένα ελάχιστο χώρο επιφάνειας 3 επί 3 μέτρα και ύψους 2,40 μέτρων. Αφού δοκιμάσατε όλες τις δυνατότητες ελέγχου του ελικοπτερου σε αυτόν τον χώρο μπορείτε να επιχειρήσετε πτήσεις και σε μικρότερους, λιγότερο ελεύθερους χώρους. **Αυτό το παιχνίδι προορίζεται μόνο για οικιακή χρήση (σπίτι και κήπος).**

Πληροφορίες με λύσεις σε διάφορα προβλήματα θα βρείτε στη σελίδα 16.

Με επιφύλαξη για λάθη ή αλλαγές  
Χρώματα/τελικό σχέδιο – Με την επιφύλαξη αλλαγών  
Με την επιφύλαξη τεχνικών και σχεδιαστικών αλλαγών  
Εικονογράμματα = Φωτογραφίες συμβόλων

## 亲爱的顾客

恭喜您购买了以最先科技生产的Carrera RC-模型直升机。由于我们总在进一步发展和完善我们的产品，所以我们保留技术修改和配置，材料和设计变更的权利，如有改变恕不另行通知。您所购买的产品和本手册中的数据 and 图示如有轻微偏差，不属于保修范围。此使用说明和安装说明是产品的一部分。不按照手册中的说明或安全指示使用此产品，将不予保修。请保留说明以作将来的参考，或以后在转让时给第三方做参考依据。

您可以登录 [carrera-rc.com](http://carrera-rc.com) 进入 Service 菜单查询使用说明书的最新版本和关于替换件的详细信息。

## 保修条例

Carrera 产品是卓越技术的结晶，应慎重对待。请务必遵守说明书中的指示。所有部件都经过认真核对（我们保留为进一步改进产品进行技术性的修改和设计变更的权利）。

如果仍有问题，在符合以下保修条件范围内我们为您提供保修：

Stadlbauer 经营+销售有限公司（下称“制造商”）向终端客户（下称“客户”）在符合下列规定的条件下保证向客户所供应的 Carrera RC-模型直升机（下称“产品”）自采购日起（保修期限）两年内不会出现材料或加工缺陷。如有缺陷，制造商会根据判断免费修复，替换新产品或彻底翻修零部件。保修不包括易损件（如电池、螺旋桨，盒盖，齿轮等），也不包括不当操作/使用引起的损毁或第三方造成的缺陷。对于客户其他索赔，特别是财产索赔，制造商不予受理。当产品通过风险转移提交给客户时存在有缺陷的情况下，客户对各自的卖方有合约或法定权利（原保，解除该合约，贬值，索赔），保修与此权利无关。

此制造商保修权利只在如下情况下成立：

- 损害并不是由不依照说明书的不当操作或不当使用所造成时，
  - 非运作磨损时，
  - 产品没有非制造商指定维修商维修或经手过的痕迹时，
  - 产品只使用制造商授权的替换件和
  - 产品与并未擅自篡改改过的原始购买单据（发票/收据）和完整填写的保修单共同提交时。
- 保修卡不可缺少。

欧盟国家注：请注意卖方的保修义务相关规定，卖方的保修义务不受此保修限制。

产品来回寄送的费用由制造商承担。此保修在上述范围以及上述前提下（即使在转售情况下，也必须提交原销售单据）对转售的买主同样有效。

## 一致性声明

Stadlbauer 经营+销售有限公司特此声明此模型包括遥控器符合以下所有欧共体准则（EG-Richtlinien）有关电磁兼容性的基本要求：欧共体指令 2009/48 2014/30/EU 关于电磁兼容性和 2014/53/EU (RED) 的其他相关规定。原版的一致性声明可登陆 [carrera-rc.com](http://carrera-rc.com) 网站查询。



最大射频功率 < 10 dBm  
频率范围：2400 - 2483,5 MHz

## 警告！



### 注意！

此玩具不适宜小于3岁的儿童使用，细小零件有导致吞咽窒息的危险。

注意！有夹手压伤的危险！在您将玩具给孩子之前，请去除所有包装材料和固定钢丝。请保留包装，联系地址和使用说明以便日后有疑问时查询。监护者请注意：请确保玩具是按照说明书指示安装。安装必须在成人的监护下进行。

### 注意！不适宜8岁以下的儿童！

此产品不得在没有成人监督的情况下供儿童使用。操控直升机进行飞行需要技巧，儿童必须在成人的监督下进行飞行训练。第一次使用前请与您的孩子一同阅读使用须知。不正当的使用可能导致严重受伤或财产损失。

操作此产品必须小心谨慎并要求一定的机械常识和心理素质。该手册包含了产品的安全指示和规定以及保养和操作该产品的说明。请务必在第一次使用前完整的阅读并理解此说明书。这样才能避免意外受伤或损失。

此产品只能在有足够空间的室内飞行，请根据本手册的建议遵守所有规定。严禁将手，头发，散落的衣物以及笔和螺丝刀等物品放置于螺旋桨附近。严禁触摸旋转的螺旋桨。请您特别注意不要将手靠近螺旋桨！

注意：为减少眼睛受伤风险，请不要靠近脸部飞行。

作为此产品的使用者，您将负起保障安全的责任，即不能损害或威胁到您自己或他人及其财产。

- 在遥控器电池电量低时请不要使用模型。
- 此玩具仅限于室内使用。
- 注意：如有人，动物或其它障碍物在飞行区域，请不要起飞直升机。
- 请您在使用时严格遵守此产品以及其附带产品的（充电器，电池等）所有说明和警告。
- 如有生物或物品被卷入直升机，请立即将油门操纵杆归零，即完全推下遥控器杆。
- 请保持干燥，潮气会损害电器。
- 请勿更改或修改直升机的任何部件。

如果您不同意此条款，请立即将崭新完整的直升机模型在未使用过的状态下退给经销商。

## 关于锂聚合物电池的重要信息

锂聚合物（LiPo）电池比普通碱性或镍氢电池敏感，经常被用于无线遥控。请严格遵守相关规则和警告。LiPo 电池的不当处理有引发火灾的可能，请在处理 LiPo 电池时务必遵守制造商的说明。

处理旧电器和电子设备的规定请参照 WEEE 准则。



带有如图所示的打叉的垃圾桶标志的物品，如废电池，蓄电池，纽扣电池，电池组，便携电池或旧电器等有危害环境和健康的可能，不得归类于一般家庭垃圾。

一般家庭垃圾。

为了环保和健康，请您自己并请您教导您的子，谨慎处理废电池和旧电器。请将废电池和旧电器交付给已知的回收点。妥善回收废电池。不同电池型号的电池和不同电量的电池不可同时使用。请不要把已用完的电池留在玩具中。请勿对非充电电池充电，有导致爆炸的危险。

### 注意！

8岁以下的儿童和身体、感官或智力上有缺陷，或经验和知识有欠缺的人，只有在有人看护和指导如何安全使用并了解了相应的操作风险的情况下，才能使用充电器和USB线。严禁儿童将此设备用于玩耍。清洁和维护此设备不可由儿童进行，除非他已满8岁或在有监督的情况下。

8岁以下的儿童应远离充电器和连接线。请务必不要在无人看管的情况下充电。请将充电电池在充电前从玩具中取出。充电接触头不可短路。请使用推荐电池或同等类型的电池。如频繁使用充电器，请定时检查电线，连接部位，外壳和其他零部件。如有损坏，请在使用前先对充电器进行修理。充电器的外接电线无法更换：如果电线损坏，必须将充电器报废处理。

此玩具只可与安全等级二级的设备连接。☐

## 使用LiPo电池的准则和注意项

- 您在为附带的3.7 V == 180 mAh LiPo-电池充电时应选择一个远离易燃物品的安全地方。
- 请务必不要在无人看管的情况下充电。
- 在飞行后充电请先让电池冷却至环境温度。
- 您只可采用配套的LiPo电池充电器（USB线/遥控器）。不遵守此规定有导致火灾以致危害健康或造成财产损失的可能。请务必不要使用其他充电器。
- 如果电池在放电或充电的过程中有膨胀或变形的现象，请立即停止放电或充电。请尽可能小心并迅速的取出电池，将之放置在一个远离可燃物品的安全的开放地区，并观察至少15分钟。如果您让已经膨胀或变形的电池继续充电或放电，有引发火灾的可能！即使是稍许变形或膨胀的电池也应停止使用。
- 在室温下干燥的地方存放电池。
- 请在使用后为电池充电以避免过度放电。请注意在行驶后保证约20分钟的休息时间，然后再开始充电。每隔一段时间（大约2-3个月）请给电池充一次电。如不遵守上述说明，有导致电池损坏的可能。
- 电池在运输时或暂时存放处的温度应在5-50° C 之间。尽可能不要将电池或模型存放在车里或阳光直射处。如果电池直接暴露在车里的高温中，有损坏或着火的可能。

注意：在电池电压/能效低时，您可以从明显较慢使直升机保持平衡的微调和/或遥控得知。这一般表明电池电压即将降至3 V，此时是结束飞行的好时机。



## 包装内容

- 1 个直升机  
1 个遥控器  
1 个包含显示底座和充电器  
1 个 USB 充电线  
电源适配器的充电器  
2 个 1.5 V Micro AAA 电池  
(不可充电)

## 给 LiPo 电池充电

请注意附带的 LiPo 电池只能用随附的 LiPo 电池充电器 (USB 充电线和遥控器) 充电。尝试用其他 LiPo 电池充电器为此电池充电有导致严重损坏的可能。请在使用前仔细阅读电池相关章节中的警告和使用指南。蓄电池充电必须由成人进行。请避免充电器和电源发生短路情况。

- 2 使用电脑充电:
  - 请将 USB 线与电脑 USB 接口连接。USB 线上的 LED 亮绿色表示充电部件与电脑正确连接。当直升机的电池电量不足时, USB 线上的 LED 不再亮起, 表示正在给电池充电。USB 线及直升机的充电接头的独特设计使电池只能在正负极对应正确的时候放入。
  - 将一个放电完毕的电池充满电 (非过度充电) 需要大约 30 分钟。当电池充满电时, USB 线上的 LED 灯呈绿色。

注意: 交货时附带的 LiPo 电池含有部分电量, 所以第一次充电需时会稍微短于正常充电时间。

**请务必按照上述的安装顺序安装! 请不要将充电器连接电源而是与直升机连接。如 LED 绿灯亮起, 则显示电池有电。LED 绿灯亮起不表示电池为满电状态。**

充电时开关应处于“OFF”状态。

## 为遥控器加载电池

- 3 用螺丝刀打开电池槽并将电池放置入遥控器。请注意正确的正负极方向。关上电池槽后, 您可以通过前端的电源开关来检测遥控器的功能。在开关处于 ON 时, 常规功能下遥控器中间的 LED 亮起红色。

当遥控器的 LED 灯快速闪烁说明必须更换遥控器电池。

## 建立模型与遥控器之间的连接

- 4 Carrera RC 直升机和遥控器已有工厂设置连接。但当 Carrera RC 直升机与遥控器在开始时有通信问题时, 您应重置连接。
  - 将模型从演示底座上取下。
  - 通过 ON/OFF 开关启动模型。
  - 直升机上的 LED 按照节奏加快闪烁。
  - 请将左摇杆完全向下推。通过 ON/OFF 开关启动遥控器。连接自动完成。连接时遥控器会发出提示音。
  - 拿起模型时注意螺旋桨应垂直朝上。
  - 稍等片刻直至系统正确初始化并准备开始运行。
  - 遥控 LED 再次长亮表示连接中断。

## 飞行前准备清单

这份清单不能代替使用说明书中的任何内容。无论您是否将它作为 Quick-Start-Guide, 我们强烈建议您在正式开始前完整的阅读本说明书

- 检查包装内容
- 将充电器接上电源。
- 给 LiPo 电池充电请参阅“LiPo 电池充电”章节。
- 请将 2 节 AAA 电池放入遥控器, 放置时请注意正确的正负极方向。
- 选择好合适的飞行场所
- 请按照 4 操作。
- 如需让多架直升机同时飞行, 请重复以上步骤。
- 检测操控
- 启动时一手握住直升机。同时另一手拿遥控器, 这样直升机起飞后可立即开始控制飞行。**注意! 该模型会自动向前飞, 只可控制飞行高度和方向**
- 熟悉操控
- 您可按照“直升机的操控”的指示来微调直升机。
- 直升机现在准备完毕。
- 如果直升机无法正常运转, 请按以上步骤重新连接。
- 飞机起飞
- 飞机降落
- 请关闭模型 (3 秒)
- 总是最后关闭遥控器

## 遥控器功能概览

- 5
  1. 天线
  2. 电源开关 (ON/OFF)
  3. 控制 LED
  4. 油门
  5. 机尾 (旋转)
  6. 机尾微调
  7. 电池槽

## 直升机说明

- 6
  1. 同轴螺旋桨系统
  2. 给 LiPo 电池充电的接口
  3. 显示/演示底座
  4. ON/OFF 开关

## 操控直升机

- 7 如果您还不熟悉 Carrera RC 直升机的操控功能, 请在首次飞行前花几分钟的时间来熟悉操作。说明中的左和右与驾驶舱 (飞行员视角) 方向对应。推上油门操纵杆可增加主螺旋桨的旋转速度。加速主螺旋桨的旋转, 模型开始升空。推下油门操纵杆, 主螺旋桨的旋转速度随之降低, 直升机降落。当直升机离开地面时, 您可以通过小心的推动油门操纵杆稳定的向上或向下飞行, 避免突然的升空或坠落。

- 8 操纵右杆 (机尾) 向左, 直升机机头以主螺旋桨垂直轴为中心向左旋转 (偏航)。操纵右杆 (机尾) 向右, 直升机机头以主螺旋桨垂直轴为中心向右旋转 (偏航)。使用机尾微调, 不动右杆 (机尾), 直至直升机保持稳定的悬停。

- 9 **注意! 该模型会自动向前飞, 只可控制飞行高度和方向**

在您熟悉了主要操控功能后, 就可以为您的首次飞行选择飞行区域了。

## 选择飞行区域

- 10 当您为您的首次飞行选择飞行区域时, 最好选择一个没有旁人和障碍且尽可能大的封闭空间。基于直升机的大小和操控性能, 有经验的飞行员也可在一个相对较小的空间内飞行。对于您的首飞, 我们强烈建议您选择一个至少 3x3 米面积, 2.4 米高的空间。在您对您的直升机完全调整好完毕, 对它的操控和性能熟悉后, 也可以尝试在一个更小略有障碍物的空间飞行。**该玩具只可在私人领域 (如屋内或花园) 中使用。**

故障排除信息可参见 16 页。

保留更正错误和修改的权利  
颜色/最终设计 - 保留修改权利  
保留技术和设计相关修改权利  
图示 = 标识图片

## お客様各位

この度はカレラRCヘリコプターをお買い上げいただき、まことにありがとうございます。当品は最新の技術水準を基に製造されています。当社の製品は常に開発、改善がされています。そのため技術、装備、材料、またはデザインにおいて予告なく変更されることがありますのでご了承ください。お求めになった製品のデータ、写真はこの取扱説明書と多少相違する場合がありますが、それに関するクレームはお受けすることができませんのでご了承ください。取扱・組立説明書は当製品の内容品の一部です。この説明書にある使用方法や安全のための注意を守らないご使用は保証の対象外となりますのでご注意ください。この説明書は読み返したり、第三者へRCモデルを譲渡する際のために大切に保管してください。

最新バージョンの取扱説明とオプションのパーツに関する情報は、[carrera-rc.com](http://carrera-rc.com)のサービスサイトをご覧ください。

## 保証条件

カレラ社の製品は高精度技術品であり、おもちゃではありません。そのため取扱いには注意し、説明書の注意を厳守してください。すべてのパーツは厳正なる検査を通過しておりますが、製品の改良による技術・型の変更がある場合があります。

それにもかかわらず製品に欠陥が見つかった際は、下記の条件において保証が有効となります。

Stadlbauer Marketing + Vertrieb GmbH (以下「メーカー」という)は最終消費者(以下「お客様」という)に対して下記の規定に準じて、お客様に納品されたカレラRCヘリコプター(以下「製品」という)に対してご購入日から2年間(保証期間)の材料および、加工における補償をいたします。それらの欠陥は、メーカーによる独自の判断で無料の修理、または新品やオーパホールされた部品の納品をもって補償されます。磨耗部品(バッテリー、プロペラ、キャビンカバー、歯車など)、および不正な使用や取扱い、または権限の無い人物による修理により生じた損傷は保証の対象となりません。その他のお客様による、特にメーカーに対する損害賠償などを保証するものではありません。お客様が販売者に対して保有する契約上、または法的な権利(追履行、契約解除、減額、損害賠償)上、リスク転移をする際、製品が無欠陥でなかった場合は本保証に関与しません。

このメーカー特例保証は、以下の対象でのみ賠償請求が有効です:

- 主張する欠陥が使用説明書内の規定に沿わない、あるいは不正な使用による損傷から生じたものでない場合、
  - 作動に伴う磨耗現象でない場合、
  - 製品にメーカー認証外の修理工場による修理、あるいはその他の介入を推量させる特徴を持たない場合、
  - 製品にメーカー認定の付属部品のみが使用され、かつ、
  - 製品が改竄されていないオリジナル購入証書(請求書やレシート)と全ての必要事項が記入された保証書と共に送付される場合、
- 保証書の再発行はできません。

EU諸国内の注意: この保証責任は物的保証に限定されない、すなわち販売者の法的保証責任として注意が喚起されています。

製品の発送・返送料はメーカー負担となります。この保証はいかなる今後の製品所有者に対しても、前記の対象および、条件(再譲渡の際も同様)にオリジナル購入証明の提示が通用します。

## 適合宣言

Stadlbauer Marketing + Vertrieb GmbHはここに、このRCモデル、およびコントローラが以下のEC基準の基本要件:電磁気適合に関する2009/48 および、2014/30/EU、並びに基準2014/53/EU (RED) とその他の関連規定に適合していることを表明します。本適合宣言書のオリジナルはホームページ [carrera-rc.com](http://carrera-rc.com) より、ご請求出来ます。



最大送信出力 10dBm以下  
帯域幅: 2400 - 2483,5 MHz

## 警告!



**注意!** 小さなパーツを飲み込む危険があるため、この玩具は3才以下の乳児には適していません。

**注意!** 作動中、指や物が挟まる場合があります! この玩具をお子さまに与える前に、すべての包装材や留め具を取り外しすぐに捨ててください。バッテリーと連絡先また、取扱説明書は、わからないことが起きたときにいつでも読み返せるように大切に保管してください。保護者の方へ: 玩具が説明通りに組み立てられているかを確認してください。組立は、大人の様子のもとで行ってください。

## 注意! 8歳以下のお子様には適していません!

本製品は、保護者の監視なしにお子様だけで遊ぶためのものではありません。ヘリコプターの操縦には、ある程度のスキルが必要です。お子様は、かならず大人の直接の立ち会いのもとに習得するようにしてください。はじめてのご使用前には、お子様も一緒に取扱説明書を読んでください。不正な使用は、重大なケガや物的損害の原因となることがあります。操縦は必ず注意深く慎重に行ってください。その際、多少の技術的および、心理的能力が必要とされます。この説明書には安全の注意や規定、並びに製品の保守と使用のための指示が記載されています。初めての運転の前には必ずこの説明書をよく読み、それを理解した上で操作してください。そうすることによってのみ、未然にケガや損傷を伴う事故の防止が可能です。

**必ず十分なスペースのある屋内で、本説明書が推薦する全ての指示に従って飛行をさせてください。** 手、髪の毛、ヒラヒラした衣服、あるいはペンやドライバーなどの物品はかならずプロペラ(ローター)から遠ざけてください。回転中のローターには触れないでください。特にローターには絶対手を近づけないようご注意ください。

**注意: 目にケガをする危険があります。ケガをさけるためにヘリコプターは顔の近くを飛行させないでください。** 本製品のユーザーは本人や他人、およびその所有物が損傷したり、危険にさらされたりすることがないように、安全な取扱いに個々が責任を持ってください。

- お使いのRCモデルは絶対に充電量が少なくなったコントローラ電池を使用しないでください。
- このおもちゃは、家庭内での使用にのみ限られます。
- **注意: ヘリコプターの飛行エリアに人、動物あるいはその他の障害物がある場合はヘリコプターを離陸させないでください。**
- 本製品および、その他の付属品(充電器、電池など)の使用上の指示や注意事項を厳守してください。
- **ヘリコプターが生き物や堅牢な物体に接触しそうな時は、直ちに左側のレバーを最下位に下ろし、スロットルをゼロに戻してください。**
- 電子部品が損傷するおそれがあるため、あらゆる湿気から避けてください。
- ヘリコプターは、決して改造しないでください。

これらの条件がご承認いただけない場合は、即座にモデルヘリコプターの内容品全品を新品状態のまま販売店にご返却ください。リチウムポリマー電池に関する重要な情報  
リチウムポリマー(LiPo)電池は、その他のラジコンに使用される従来のアルカリ電池、またはNiMH電池に比べてひときわ敏感です。そのため、それに関する規定や注意は厳守してください。LiPo電池の取扱いを間違えると、火災・火傷の危険があります。またLiPo電池の廃棄処分は、常にメーカーの指示に従ってください。

## WEEE使用済み電気・電子機器の廃棄物指令



ここに表示されているX印の付いたゴミ箱のシンボルマークは、空のバッテリー、蓄電池、ボタン電池、電池パック、あるいは使用済み電気機器は環境および、健康に障害を与えるため家庭用ゴミとして処分してはならないことを指示しています。廃電池や使用済み電気機器の正しい廃棄方法をお子様にも教えて環境や健康の保全にご協力ください。使用済み電池や電気機器は指定の収集所で回収処理をしてください。そうすることで廃棄物が正しくリサイクルがされます。また、異種の電池や新品と使い古した電池を混合させて使用しないでください。空になった電池は玩具から取り出してください。充電式でない電池を充電しないでください。バッテリーの再充電は、かならず大人が行ってください。充電式でない電池は、爆発の危険があるため充電しないでください。

**注意!** チャージャーおよび、USB充電ケーブルは8才以上のお子様を対象としており、感覚的、物理的、知的障害のある者や使用経験や知識が十分でない者は監視下、あるいは安全な取り扱いを習得して危険性を理解した者が使用できます。お子様がチャージャーやUSB充電ケーブルで遊ばないように気をつけてください。お手入れやメンテナンスは8才以上であれば大人の監視の下で可能ですが、子供だけでは行わせないでください。チャージャーおよび接続ケーブルは、8才未満の子供の手が届かないように管理してください。**バッテリーの充電中は、決して目を離さないようにしてください。** 充電式電池は充電前に玩具から取り出してください。またコネクタは短絡させないでください。推薦された電池あるいは、同タイプの電池のみを使用してください。定期的にチャージャーを使用する際は、必ずケーブル、コネクタ、フタおよび、その他の部品を点検してください。チャージャーが故障した際は、それを修理してからまた使用してください。このチャージャーの外部フレキシブルケーブルは、代用品と交換ができません。ケーブルが破損した場合は、チャージャー共に処分してください。この玩具は感電保護クラスIIの電気機器にのみ接続してください。☐

**注意!** チャージャーおよび、USB充電ケーブルは8才以上のお子様を対象としており、感覚的、物理的、知的障害のある者や使用経験や知識が十分でない者は監視下、あるいは安全な取り扱いを習得して危険性を理解した者が使用できます。お子様がチャージャーやUSB充電ケーブルで遊ばないように気をつけてください。お手入れやメンテナンスは8才以上であれば大人の監視の下で可能ですが、子供だけでは行わせないでください。チャージャーおよび接続ケーブルは、8才未満の子供の手が届かないように管理してください。**バッテリーの充電中は、決して目を離さないようにしてください。** 充電式電池は充電前に玩具から取り出してください。またコネクタは短絡させないでください。推薦された電池あるいは、同タイプの電池のみを使用してください。定期的にチャージャーを使用する際は、必ずケーブル、コネクタ、フタおよび、その他の部品を点検してください。チャージャーが故障した際は、それを修理してからまた使用してください。このチャージャーの外部フレキシブルケーブルは、代用品と交換ができません。ケーブルが破損した場合は、チャージャー共に処分してください。この玩具は感電保護クラスIIの電気機器にのみ接続してください。☐

## LiPo電池の使用のための基準と注意事項

- 付属の3.7 V --- 180 mAh LiPo電池は、そばに発火性の物質のない安全な場所で充電してください。
- バッテリーの充電中は、決して目を離さないようにしてください。
- 飛行後の充電は、蓄電池をまず周囲の温度に冷却させてから行ってください。
- 専用のLiPo用充電器(USBケーブル/コントローラ)のみを使用してください。この注意を守らないと発火の危険性があり、それに因する健康や物質への障害が起きることがあります。そのため決してその他のチャージャーは使用しないでください。
- 放電中あるいは、充電中に電池が膨らんだり変形する場合は、放電、充電を即座に中止してください。そして出来る限り急いで電池を注意深く取り出し、周りに可燃性の物質のない安全な場所において、最低15分間はそれを監視してください。電池がすぐに膨らんでいたり、変形している場合は発火の危険性があります! 少々の変形や膨らみでも、その電池の使用は必ず中止してください。
- 蓄電池は室温の乾燥した場所で保管してください。

- いわゆる過放電を避けるために、使用後は必ず蓄電池を充電してください。飛行と充電には約20分間の間隔を空けてください。蓄電池は時々(約2~3ヶ月ごとに)、充電してください。上記の取扱方法を守らない電池の扱いは、故障をまねくことがあります。
- 蓄電池の移動中やその一時保管は温度が5~50度の場所で行ってください。電池やRCモデルは車内や直射日光のあたる場所に置かないでください。高温の車内に放置したままにすると電池が損傷したり、発火することがあります。

注意: 電池容量や電圧が少ない場合は、ヘリコプターがきりもみ降下しないようにトリミングや制御操作を必要とするようになり、それを確認出来ます。この状態は通常電池の電圧が3 Vに低下する前に起りますので、飛行停止の目安にしてください。

## 内容品

- 1x ヘリコプター  
1x コントローラ  
1x ディスプレイ & チャージ用ソケット付き  
1x USB充電ケーブル  
2x 1.5 V 単4電池 (再充電不可)

## LiPo電池の充電

付属されたLiPo電池は、必ず付属のLiPo用充電器(USBケーブルあるいは、コントローラ)のみで充電するように注意してください。蓄電池をその他のLipo電池チャージャーや他種のチャージャーで充電すると重大な損傷につながる可能性があります。ご使用前には、前記の電池の使用における注意事項や規定をよく読んでください。バッテリーの再充電は、かならず大人が行ってください。チャージャーとアダプタは短絡させないでください。

- 2 コンピュータでの充電:
  - USB充電ケーブルをコンピュータのUSBポートに差し込みます。USB充電ケーブルのLEDが緑に点灯すると、充電器が正しくコンピュータに接続されたことを示します。ヘリコプターを空のバッテリーにつなぐとUSB充電ケーブルにあるLEDランプが消え、ヘリコプターのバッテリーが充電されていることを示します。USB充電ケーブルまたは、ヘリコプターの充電ソケットが逆の電極位置に接続されています。
  - 一度空にした蓄電池(非完全放電)を再充電するには、約30分ほどかかります。USB充電ケーブルの緑のLEDが再び点くと、満充電されたサインです。

注意: 納品時に同梱のLiPo電池は充電が少しされた状態です。そのため、初めての充電はいくらか短時間となります。

接続には上記の順番を、かならず守ってください。充電ケーブルを電源に接続せずヘリコプターのみにつなげた場合は、緑のLEDランプが点灯して、蓄電池からまだ電力供給がされていることを示します。蓄電池の充電量が十分でないときは、緑のLEDランプは点きません。充電中は電源スイッチをかならずOFFにしてください。

## コントローラへバッテリーをセット

- 3 ドライバーでバッテリー収納部のフタにあるネジを外し、コントローラにバッテリーをセットします。その際、正しい電極の位置にご注意ください。収納部フタを閉じてから、前面にある電源スイッチでコントローラの作動を確認できます。電源スイッチをONにしてコントローラの中央上部にあるLEDが赤に点灯すると、正しく機能し始めたサインです。

コントロールLEDが早く点滅する場合は、コントローラのバッテリーを交換してください。

## 機体とコントローラのペアリング

- 4 カレラRCヘリコプターとコントローラは出荷時にペアリングされています。もし初期状態でカレラRCヘリコプターとコントローラの送受信に問題がある場合は、新規にペアリングを行ってください。
  - モデルをディスプレイスタンドから取り出します。
  - モデルのON/OFFスイッチを入れます。
  - つぎにヘリコプターのLEDが点滅し、次第にその間隔が早くなります。
  - 左のジョイスティックを一番下まで押し下げます。コントローラのON/OFFスイッチを入れます。ペアリングが自動的に行われます。ペアリング中はコントローラのシグナル音が鳴り続けます。
  - ローターが垂直に真上に立つようして、モデルを持ちます。
  - ヘリコプターにシステムが完全にインストールされて準備が完了するまで、少々時間がかかります。
  - コントロールLEDが再び継続点灯となり、ペアリングが完了したことを示します。

## 飛行準備のためのチェックリスト

下記のチェックリストは本使用説明書内容の代用にはなりません。これはクイックスタートガイドとして利用できますが、先に進む前にまず本使用説明書を必ず読み通されるようお願いいたします。

- 内容品を確認してください
- チャージャーを電源に接続してください。
- LiPo電池を「LiPo電池の充電」の項で記されているように充電してください。
- 2個の単4電池を正しい電極の位置に注意しながら、コントローラにセットします。
- 飛行に適した環境を見つけます
- 4のように行います。
- 操作機能をチェックします
- 操縦を習得しましょう
- リコプターを片方の手で起動させてください。そのままヘリコプターを操作できるように、空いている方の手でコントローラを持ちます。**注意! その際、モデルは前方に自動飛行して、高度と方向のみが制御可能です**
- 「ヘリコプターの制御」の項を見ながら、必要に応じてヘリコプターがホバリング中に操作をしなくても静止飛行するようにトリミングしてください。
- これでヘリコプターのスタート準備が完了です。
- それでもヘリコプターが機能しない場合は、上記にあるように再度ペアリングを他のチャンネルで試してください。
- ヘリコプターが機能をしなないときは、上記の接続方法をもう一度試してください。
- RCモデルを飛行させます
- RCモデルを着陸させます
- モデルのスイッチを切ってください(3秒)
- いつも最後にリモコンのスイッチを切ります

## コントローラの機能一覧

- 5
  1. アンテナ
  2. 電源スイッチ (ON/OFF)
  3. コントロールLED
  4. スロットル・テール (回転)
  5. テール (旋回)
  6. テールトリマー
  7. 電池収納部

## ヘリコプターの名称

- 6
  1. 同軸反転ローターシステムV
  2. LiPo電池充電用 充電ソケット
  3. ディスプレイ・展示スタンド
  4. ON/OFFスイッチ

## ヘリコプターの操縦

- 7 お買い上げのカレラRCヘリコプターの操縦機能をご存知でない場合は、初飛行の前に数分間練習をしてください。記述にある左または右とは、コックピットから前方を見た時の方向です(パイロットの眺望)。メインローターのローター回転速度を上げるには、スロットルレバーを上を押します。メインローターのプロペラ回転速度を上げることにより、機体が上昇し始めます。スロットルレバーを緩めることでメインローターのローター回転速度を低減すると、ヘリコプターは下降します。機体が地面から浮揚したら、スロットルレバーを注意深く上や下へ動かすことによって、突然の上昇や下降をせずにホバリングの状態を保てます。

- 8 左のレバー(テール)を左に動かすと、ヘリコプターの機首はメインローターの軸を中心に左回りに回転(ヨーイング)します。左のレバー(テール)を左に動かすと、ヘリコプターの機首はメインローターの軸を中心に左回りに回転(ヨーイング)します。ヘリコプターのホバリングが安定するまでは、右のレバー(テール)を動かさずにテールトリマーで調整します。

- 9 **注意! その際、モデルは前方に自動飛行して、高度と方向のみが制御可能です**

主な操縦機能を習得したら飛行場所をさがして、いよいよ初飛行に入ります。

## 飛行環境の選択

- 10 初飛行の準備が整ったら、無人の障害物のない出来るだけ広い屋内空間をさがしてください。広さはヘリコプターの操作技能に準じますが、経験豊かなパイロットは比較的小さな屋内空間でも飛行させることが可能です。初めての飛行は最低3x3メートル四方の床面積と2.4メートルの高さのある室内空間で行うことを推奨します。トリムの調整後、ヘリコプターの操作と飛行性能を把握したら今より狭い、それほど広々としていない環境での飛行にも挑戦することができます。**この玩具は、家庭内の(家屋や庭)でのみ使用してください。**

トラブルシューティングに関しては、17ページをご覧ください。

誤り、変更がある場合があります。色および、最終デザインの変更がある場合があります。技術やデザイン上の変更がある場合があります。ピクトグラム=シンボル写真

고객 여러분께

최신 기술로 제작된 카레라 RC 모델 헬리콥터를 구입하신 것을 축하합니다. 저희는 제품을 개발하고 개선하는데 항상 노력하고 있기 때문에 기술적인 측면과 장치, 재료, 디자인과 관련하여 예고 없이 언제라도 변동할 권리를 보유합니다. 그래서 구입하신 제품이 이 설명서의 자료와 그림에 비해 근소한 차이를 보이더라도 이것을 근거로 한 어떤 청구권도 도출되지 않습니다. 이 사용 및 조립 설명서는 제품의 일부입니다. 사용설명서와 기재된 안전수칙을 준수하지 않았을 경우에는 개런티 청구권이 소멸됩니다. 추후에 다시 참고하고 모델을 제 3자에게 이양할 경우에 대비하여 이 설명서를 보관하십시오.

**이 작동설명서의 최신판과 구입 가능한 부품에 대한 정보는 [carrera-rc.com](http://carrera-rc.com) 의 서비스 영역에서 보실 수 있습니다.**

개런티 조건

카레라 제품은 고급 기술로 제작된 상품이니 조심스럽게 다루어야 합니다. 사용설명서의 주의사항을 반드시 주의하십시오. 모든 부품은 세심한 검토를 거쳐집니다(기술상의 변동과 제품 개선에 도움이 되는 모델 변동에 대한 권리는 제조사가 보유합니다).

그럼에도 결함이 있을 경우에는 다음 개런티 조건의 범위에서 개런티를 보장합니다:

Stadlbauer Marketing + Vertrieb GmbH 회사는 (이하 "제조사") 아래 규정에 따라 카레라 RC 모델 헬리콥터에(이하 "제품") 제품 구입일로부터 2년간(개런티 기간) 재료나 제조상의 결함이 생기지 않는다는 것을 최종 고객(이하 "고객")에게 보증합니다. 이런 결함을 제조사는 자신의 판단에 의거하여 수선하거나 새로운, 혹은 일반 검사를 거친 부품을 조달하는 등의 방법으로 자신의 비용을 들여 제거합니다. 이 개런티는 소모품(예: 축전지, 회전날개, 조종실 덮개, 톱니바퀴등), 적절하지 않은 취급/사용에 의한 손상, 혹은 맞지 않게 조작한 경우에는 해당되지 않습니다. 제조사에 대한 고객의 기타 다른 청구권, 특히 손해보상은 제외됩니다.

위험 양도시 제품에 결함이 없는 상태에서 생기게 되는 고객의 각 판매상에 대한 계약상의 권리, 혹은 법적 권리(후속 조처, 계약 해지, 가격 할인, 손해 보상)는 이 개런티에 해당하지 않습니다.

이 별도 제조사 개런티에서 비롯하는 청구권은 다음과 같은 경우에 해당합니다:

- 청구권 신청한 결함이 사용설명서의 주의사항에 따라 규정에 맞지 않거나 적절하지 않은 사용에 의해 생긴 손상이 아닌 경우,
- 사용에 따른 소모현상이 아닌 경우,
- 제품이 수리나 제조사가 인정하지 않은 정비소에 의해 조작되었다는 어떤 징표를 보이지 않을 경우,
- 제품이 제조사가 인정한 부품만을 사용했을 경우,
- 제품이 원본 구입 증서(계산서/영수증)와 완전히 기재되었고 임의로 수정하지 않은 보증서와 함께 배송된 경우.

개런티 증서는 대체할 수 없습니다.

유럽연합국가에 해당되는 참고사항: 법적인 보증 의무는 제품에 대한 개런티에 의해 제한받지 않습니다.

제품을 반품하고 다시 배송할 때 생기는 비용은 제조사가 부담합니다.

이 개런티는 앞에 언급한 범위와 위에 언급한 조건(다시 판매했을 경우에도 구입증서 원본을 제시해야 함)에서 나중에 제품을 소유하게 되는 모든 소유자에게도 유효합니다.

적합성 증명

Stadlbauer Marketing + Vertrieb GmbH 사는 컨트롤러를 포함한 이 모델은 전자기장 적합성에 대한 EG 지침 전자/적합성에 대한 EG 지침 2009/48과 2014/30/EU 및 지침 2014/53/EU (RED)의 다른 관련 규정이 인정됩니다. 적합성 증명서 원본은 [carrera-rc.com](http://carrera-rc.com) 에서 청구할 수 있습니다.



무선 주파수 최대 전력 10dBm 이하  
주파수 범위: 2400 - 2483,5 MHz

경고 사항!



**주의!** 이 장난감은 삼킬 수 있는 작은 부품 때문에 3세 미만의 어린이들에게 적합하지 않습니다.

주의! 기능상 키워져 조일 위험이 있습니다! 장난감을 어린이에게 건네주기 전에 모든 포장재와 고정물을 제거하십시오. 문이나 안내가 필요한 경우에 대비하여 포장과 주소를 보관하십시오, 사용설명서도 나중에 읽을 수 있게 보관하십시오. 성인 감독자를 위한 안내: 장난감이 사용설명서에 따라 조립되었는지 확인하십시오. 조립은 성인의 감독 하에 이루어져야 합니다.

**주의! 8세 이하의 어린이에게는 적합하지 않음!** 이 제품은 교육권자의 감독없이 어린이들이 사용할 수 있도록 되어 있지 않습니다. 헬리콥터를 조종하기 위해서는 일정한 연습이 필요합니다. 어린이들은 어른의 감독하에 조종법을 배워야 합니다. 최초로 사용하기 전에 사용자정보를 자녀와 함께 읽으십시오. 적절하지 않게 사용할 경우 심한 부상과/이나 손상을 입힐 수 있습니다. 이 제품은 조종스럽고 신중하게 조종해야 하고, 역학적인 능력과 정신적인 능력을 필요로 합니다. 사용설명서는 안전주의사항과 규칙 및 제품을 손질하고 작동하는데 필요한 주의사항을 담고 있습니다. 처음으로 작동하기 전에 이 사용설명서를 끝까지 읽고 이해하는 것은 필수적입니다. 그래야만 부상과 손상으로 인한 사고를 피할 수 있습니다.

**충분히 넓은 실내에서만 비행하십시오, 이 사용설명서가 권하는대로 모든 주의사항을 따르십시오.** 손, 머리카라, 느슨한 옷 및 연필과 드라이버 같은 물건은 프로펠러(회전날개)로부터 안전거리 유지를 해야 합니다.

회전중인 회전날개를 손대지 마십시오. 손이 회전날개 근처에 접근하지 않게 특히 주의하십시오!

**주의: 눈을 다칠 위험. 부상 위험을 피하기 위해 얼굴 근처에서 헬리콥터를 비행하지 마십시오. 이 제품을 사용하시는 귀하게서 안전하게 작동하는데 책임을 지신다는데 주의하십시오, 귀하는 물론 다른 사람과 그 소유물도 손상이 가거나 위험에 처하지 않아야 합니다.**

- 컨트롤러의 건전지가 약한 상태에서 모델을 절대 사용하지 마십시오.
- 이 장난감은 반드시 집안에서만 사용해야 합니다.
- 주의: 사람, 동물, 기타 다른 장애물이 헬리콥터의 비행영역에 있는 경우에는 헬리콥터를 출발시키지 마십시오.
- 이 제품과 사용하시는 추가 장비(충전기, 축전지등)의 주의사항과 경고사항을 정확히 따르십시오.
- 헬리콥터가 생물이나 딱딱한 물체와 접촉했을 경우에는 즉시 속도조절을 0으로, 다시 말하면, 왼쪽 조이스틱을 아랫부분 끝까지 내려야 합니다!
- 전자기기를 손상할 수 있으니 물기를 피하십시오.
- 어떠한 경우에도 헬리콥터를 개조하거나 변화시키지 마십시오.

이 조건에 동의하지 않으시면, 헬리콥터 모델 전체를 사용하지 않은 새로운 상태로 판매상에 반납하십시오.

리튬 이온 중합체 축전지에 대한 중요한 안내 리튬 이온 중합체(LiPo) 축전지는 보통 무선원격 조종기에 통상 사용되는 알칼리 전지나 니켈-수소 전지보다 예민합니다. 제조사가 정한 규칙과 주의사항은 그래서 정확히 따라야 합니다. 리튬 이온 중합체 축전지를 잘못 사용하면 화재 위험이 있습니다. 리튬 이온 중합체 축전지를 폐기할 때는 항상 제조사의 주의사항을 주의하십시오.

WEEE에 의거한 전기 및 전자 기기 폐기 규정



여기 그려진 가위표 처진 쓰레기통 상징은 빈 건전지, 축전지, 단추형 전지, 전지팩, 기타 전지, 전기 제품 폐품들은 환경과 건강에 해롭기 때문에 일반 가사용 쓰레기통에 버려서는 안된다는 것을 주시시키고 있습니다. 환경과 건강을 보존하는데 협조하시고, 전지와 전기 기기 폐품을 규정에 맞게 처리하는 요령에 대해 자녀들과 논의하시기 바랍니다. 전지와 전기 제품 폐품은 별도 마련된 수거장에 버려야 합니다. 그래야만 제대로 재활용품 처리장에 이르게 됩니다.

서로 다른 전지나 새 전지를 함께 사용하면 안됩니다. 빈 전지는 장난감에서 분리하십시오. 재충전할 수 없는 전지는 충전하면 안됩니다. 충전 할 수 없는 전지는 폭발 위험이 있기 때문에 충전해서는 안됩니다.

주의!

충전기 및 USB 충전선은 감독하에, 혹은 기구의 안전한 사용과 관련된 교육을 받고 생길 수 있는 위험을 이해한 경우, 8세 이상의 어린이와 육체적, 감각적, 정신적인 능력이 제한되었거나 경험과/이나 지식이 부족한 성인이 사용할 수 있습니다. 어린이들은 충전기 및 USB 충전선을 가지고 놀아서는 안됩니다. 8세 이상이 아니고 감독을 받지 않은 상태에서 어린이는 세척과 정비를 해서는 안됩니다.

8세 이하의 어린이는 충전기와 접속선에 접근하지 않게 하십시오. **충전할 때 축전지를 절대 감독하지 않은 상태로 방치하지 마십시오.** 접속단자에 단선이 생기지 않게 해야 합니다. 반드시 추천된 전지나 같은 유형의 전지만 사용해야 합니다. 충전기를 정기적으로 사용할 경우에는 충전기의 전선, 연결부, 덮개와 다른 부분들도 점검하십시오. 손상이 생긴 경우에는 충전기를 수선한 다음에 다시 작동해야 합니다. 이 충전기의 유연한 외부 전선은 교체할 수 없습니다: 전선이 손상되었으면 충전기를 폐기해야 합니다.

리튬 이온 중합체 축전지 사용 지침과 주의사항

- 동봉된 3.7 V --- 180 mAh 리튬 이온 중합체 축전지를 반드시 발화성 물질로부터 떨어진 곳에서 충전하십시오.
- 충전할 때 축전지를 절대 감독하지 않은 상태로 방치하지 마십시오.
- 비행한 후 충전할 때는 전지를 주변 온도에 이를 때까지 식혀야 합니다.
- 반드시 부속 리포 충전기(USB 전선/컨트롤러)를 사용해야 합니다. 이 것을 지키지 않으면 화재 위험이 있고, 이로 인한 건강상의 위험과/이나 물질 손상을 입을 수 있습니다. 절대 다른 충전기를 사용하지 마십시오.
- 방전이나 충전하는 도중에 축전지가 부풀어 오르거나 모양이 바뀌면, 충전이나 방전을 즉시 중단하십시오. 축전지를 가능한 한 빠르고 조심스럽게 빼어 가연성 물질에서 떨어진 넓고 안전한 장소에 놓은 다음, 최소한 15분간 지켜보십시오. 이미 부풀어 올랐거나 모양이 변한 축전지를 계속하여 방전이나 충전을 하면 화재 위험이 있습니다! 미미하게 부풀거나 모양이 바뀌어도 축전지를 작동하지 마십시오.
- 축전지를 실내온도의 건조한 곳에 보관하십시오.
- 축전지의 완전 방전을 피하기 위해 사용 후 축전지를 반드시 다시 충전하십시오. 비행과 충전 사이에 약 20분간 휴식을 취하여야 한다는 것을 주의하십시오. 축전지를 종종(약 2-3 개월마다) 충전하십시오. 위에 언급한 축전지의 용법을 지키지 않으면 고장날 수 있습니다.

- 축전지를 운반하거나 잠정적으로 보관할 때 온도는 5-50° C 사이여야 합니다. 축전지나 모델을 가능하면 자동차 안에 두거나 직사광선에 노출하지 마십시오. 축전지가 차 안에서 열을 받으면 손상되거나 불이 붙을 수 있습니다.

주의사항: 전지의 전압/성능이 낮은 경우 헬리콥터가 흔들리지 않게 하기 위해 심한 트리밍과/이나 조종 동작이 필요하다는 것을 확인하게 됩니다. 이런 상태는 일반적으로 전지의 전압이 3 V에 이르기 전에 나타나고, 비행을 종료하기에 적당한 시점입니다.

### 포장내용물

- 1 헬리콥터 1대  
컨트롤러 1개  
디스플레이 및 충전 소켓 포함 1개  
USB 충전 전선 1개  
1,5 V AAA 마이크로 건전지 2개  
(재충전 할 수 없음)

### 리튬 이온 중합체 축전지 충전

동봉된 리포 축전지는 반드시 동봉된 리포 충전기(USB 전선 및 컨트롤러)로만 충전해야 한다는 것에 유의하십시오. 전지를 다른 리튬 이온 중합체 충전기나 다른 충전기로 충전을 시도하면 심한 피해를 입을 수 있습니다. 충전을 하기 전에 앞 절에 설명한 전지 사용에 대한 경고사항과 사용지침을 세심하게 읽으십시오. 축전지는 반드시 성인이 충전해야 합니다. 충전기와 전원에 단선이 생기지 않도록 하십시오.

- 2 컴퓨터에서 충전하기:
  - USB 충전 전선을 컴퓨터의 USB 포트와 연결하십시오. USB 충전 전선의 LED 점등이 초록색으로 빛을 발하고, 충전 장치가 컴퓨터에 제대로 연결되어 있다는 것을 나타냅니다.
  - 빈 전지를 장착한 헬리콥터를 연결하면 USB 충전 전선의 LED 점등이 더 이상 빛을 발하지 않고, 헬리콥터의 전지가 충전되고 있는 것을 나타냅니다. USB 충전 전선 및 헬리콥터의 충전 소켓은 서로 다른 극을 접속할 수 없게 제조되어 있습니다.
  - (완전 방전되지 않고)방전된 전지가 다시 충전될 때까지는 약 30분이 걸립니다. 전지가 완전히 충전되면, USB 충전 전선의 점등이 다시 초록색으로 빛을 발합니다.

주의: 제품 공급시 포함된 리튬 이온 중합체 전지는 부분 충전되어 있습니다. 그래서 첫 충전 절차는 약간 짧게 걸릴 수 있습니다.

위에 언급한 접속 순서를 반드시 지키십시오! 충전선을 전원에 접속하지 않고 헬리콥터에만 연결하면 LED 점등이 초록색 빛을 발하여 축전지에 아직 전력이 있다는 것을 나타냅니다. LED 점등이 초록색 빛을 발한다고 해서 축전지가 충분히 충전되어 있다는 것을 나타내는 것은 아닙니다.

충전되는 동안 파워 스위치는 "OFF" 상태여야 합니다.

### 컨트롤러에 전지 장착

- 3 전지함을 드라이버로 열고 컨트롤러에 전지를 장착하십시오. 양극이 제대로 맞는지 주의하십시오. 전지함을 닫은 후 컨트롤러가 작동하는지를 앞면의 파워 스위치를 통해 점검하십시오. 파워 스위치가 ON으로 켜져있고 제대로 작동하면 컨트롤러 중간부 위쪽에 있는 점등이 빨간 빛을 발합니다. 점등 점등이 빠르게 반짝이면 컨트롤러의 전지를 교환해야 합니다.

### 모델과 컨트롤러 접속

- 4 카레라 RC 헬리콥터와 컨트롤러는 공장 출하시 이미 연결되어 있습니다. 처음에 카레라 RC 헬리콥터와 컨트롤러 사이의 교신에 문제가 있으면 새롭게 연결을 시행하십시오.
  - 모델을 전시대에서 내리십시오.
  - ON/OFF 스위치에서 모델을 켜십시오.
  - 헬리콥터의 점등이 율동적으로 점점 빨리 깜박입니다.
  - 왼쪽 조이스틱을 아랫쪽으로 완전히 미십시오. ON/OFF 스위치에서 컨트롤러를 켜십시오. 접속이 저절로 됩니다. 접속을 시도하는 중에 컨트롤러에서 신호음이 납니다.
  - 회전날개가 수직으로 위를 향한 상태에서 모델을 잡습니다.
  - 헬리콥터가 시스템을 정확히 초기화하고 작동 준비가 될 때까지 잠시 기다리십시오.
  - 통제 점등이 다시 지속적으로 빛을 발하고 접속이 완료된 것을 알려줍니다.

### 비행 준비 점검표

이 점검표는 사용설명서 내용을 대체하지 않습니다. 이 점검표를 퀵 스타트 가이드로 사용할 수 있음에도 불구하고, 계속 진행하기 전에 우선 이 조작설명서를 완전히 숙독하실 것을 적극 권합니다.

- 포장내용물을 점검하십시오
- 충전기를 전원에 연결하십시오.
- 리튬 이온 중합체 전지를 "리튬 이온 중합체 전지 충전하기" 항목에 설명된대로 충전하십시오.
- AAA 건전지 2개를 컨트롤러에 삽입하되, 양극이 맞는지 주의하십시오.
- 비행하기에 적당한 주변을 찾으십시오
- 제4항에 기술된대로 실행하십시오.
- 헬리콥터 여러 대를 동시에 비행하려면 위에 설명한 항목을 반복하십시오.
- 조종이 되는지 점검하십시오
- 한 손으로 헬리콥터를 이륙하십시오. 병행하여 다른 손으로는 컨트롤러를 잡아 이륙과 동시에 헬리콥터를 조종할 수 있게 하십시오.
- **주의! 모델은 스스로 앞쪽으로 비행하며 높이와 방향만 조정할 수 있습니다**
- 조종 방법을 익히십시오
- 필요한 경우 "헬리콥터 조종하기" 항목에 설명된대로 헬리콥터를 트리밍하여 헬리콥터가 부.
- 헬리콥터는 이제 비행 준비가 되었습니다.
- 헬리콥터가 어떤 기능도 보이지 않으면 위에 언급한 접속 절차를 다시 시도하십시오.
- 모델을 비행시키십시오
- 모델을 착륙시키십시오
- 모델을 끄십시오 (3초)
- 원격조종기를 항상 마지막으로 끄십시오

### 컨트롤러의 기능

- 5 1. 안테나  
2. 파워 스위치(ON/OFF)  
3. 점검 점등  
4. 속력  
5. 후미(원형 회전)  
6. 후미 트리머  
7. 전지함

### 헬리콥터 설명

- 6 1. 동축회전장치  
2. 리튬 이온 중합체 전지를 충전하기 위한 충전 잭  
3. 디스플레이/전시대  
4. ON/OFF 스위치

### 헬리콥터 조종

- 7 카레라 RC 헬리콥터의 조종기능을 아직 모르시면, 첫 비행전에 몇 분간 시간을 내어 그 기능을 익히십시오. 좌측, 혹은 우측으로 설명된 것은 조종실의 시각에서 바라본 것입니다(조종사 시각). 속도 조절공이를 위로 돌려 주회전날개의 회전속도를 높여주십시오. 회전속도를 높이면 모델이 상승하기 시작합니다. 속도조절공이의 기울임을 감소하여 주회전날개의 회전속도를 줄이면 헬리콥터가 강하합니다. 모델이 지상에서 떠오르면, 속도조절공이를 조심스럽게 움직여서 모델을 갑작스런 아랫쪽으로 조절할 수 있고, 뒷작스럽게 상승하거나 강하하지 않는 정체 부유비행을 할 수 있습니다.

- 8 오른쪽 공이(후미)를 왼쪽으로 움직이면, 헬리콥터의 앞부분이 주회전축을 중심으로 왼쪽으로 원형 회전을 합니다. 오른쪽 공이(후미)를 오른쪽으로 움직이면, 헬리콥터의 앞부분이 주회전축을 중심으로 오른쪽으로 원형 회전을 합니다. 헬리콥터가 부유 비행 상태에 확실한 중립 비행 상태에 도달할 때까지, 오른쪽 공이(후미)를 움직이지 않은 채로, 후미 균형장치를 작동하십시오.

- 9 **주의! 모델은 스스로 앞쪽으로 비행하며 높이와 방향만 조정할 수 있습니다**

주요 조종기능을 익히셨으니 이제 비행 장소를 선택하여 첫 비행을 하실 준비가 되었습니다. 1. 동축회전장치

### 비행 장소 선택

- 10 첫 비행을 하실 준비가 되었으면 사람과 장애물이 없고 가능하면 크고 닫힌 장소를 선택하십시오. 헬리콥터의 크기와 조종성능에 따라 경험있는 조종사는 상대적으로 적은 닫힌 공간에서 비행을 할 수도 있습니다. 첫 비행을 하는데 반드시 필요한 최소 공간 크기는 가로 3 미터, 세로 3미터 넓이에 2,40 미터 높이입니다. 헬리콥터 트리밍을 완료하였고 조종과 비행능력에 익숙해진 다음에는 더 적은 공간과 완전히 비어있지 않은 주변에서 비행을 감행해도 됩니다. **이 장난감은 집안에서만 (집 및 정원) 사용 가능합니다.**

문제 해결을 위한 정보는 17 쪽에서 보실 수 있습니다.

오류와 변동이 있을 수 있습니다. 색깔과 최종 디자인에 변동이 있을 수 있습니다. 기술과 디자인상의 변동이 있을 수 있습니다. 픽토그램 = 상징그림

## Уважаемый клиент!

Мы поздравляем Вас с приобретением радиоуправляемой модели вертолета Carrera, которая соответствует современному уровню развития техники. Поскольку мы постоянно работаем над усовершенствованием и улучшением нашей продукции, мы оставляем за собой право в любое время и без предупреждения вносить технические изменения, изменения в отношении оборудования, материалов и дизайна. Поэтому небольшие отклонения настоящего продукта от данных и рисунков инструкции не могут послужить основой для предъявления каких-либо претензий. Настоящая инструкция по эксплуатации и монтажу является неотъемлемой частью продукта. Несоблюдение инструкции по эксплуатации и содержащихся в ней указаний по технике безопасности лишает Вас права на гарантийное обслуживание. Храните эту инструкцию для справок и возможной передачи модели третьему лицу.

**Самую актуальную версию настоящей инструкции по эксплуатации и информацию об имеющихся в наличии запчастях Вы найдете на [carrera-rc.com](http://carrera-rc.com) в отделе сервиса.**

## Условия гарантии

Продукты Carrera представляют собой высокотехнологичные продукты, требующие аккуратного обращения. Пожалуйста, обязательно примите к сведению указания, содержащиеся в инструкции по эксплуатации. Все детали подвергаются тщательной проверке (возможны технические изменения и изменения модели, служащие целям улучшения продукта). Если несмотря на это появятся дефекты, производитель предоставляет гарантию на нижеуказанных условиях:

В соответствии с нижеследующими положениями компания «Stadlbauer Marketing + Vertrieb GmbH» (далее по тексту «производитель») гарантирует конечному потребителю (далее по тексту «потребитель»), что поставленный потребителю радиоуправляемый вертолет Carrera (далее по тексту «продукт») в течение двух лет со дня покупки (гарантийный срок) не будет содержать дефектов материала и обработки. Такого рода дефекты производитель устранил по своему усмотрению и за свой счет посредством ремонта или поставки новых или отремонтированных деталей. Гарантия не распространяется на быстроизнашивающиеся детали (напр., аккумуляторы, лопасти, фонарь кабины, зубчатые колеса и т.п.), повреждения в результате неправильного обращения/пользования и повреждения в результате несанкционированного вмешательства. Прочтите требования потребителя, в частности, о возмещении ущерба по отношению к производителю исключаются.

Настоящая гарантия не лишает потребителя предусмотренных по закону или по договору прав (доработка, расторжение договора, снижение цены, возмещение ущерба) по отношению к соответствующему продавцу, которые могут иметь место в отношении дефектных продуктов на момент перехода рисков.

Претензии из этой особой гарантии производителя возможны только в том случае, если

- заявленный дефект не был вызван повреждениями, нанесенными вследствие нецелевого или неправильного использования продукта в соответствии с инструкцией по эксплуатации,
- речь идет не об обусловленных эксплуатацией явлениями износа, продукт не содержит следов ремонта или прочих вмешательств в мастерских, не авторизованных изготовителем,
- продукт использовался только с авторизованными производителем принадлежностями и
- продукт пересылается вместе с оригинальным чеком на покупку (счетом / квитанцией) и полностью заполненным гарантийным талоном, в котором не произведено никаких самовольных изменений.

**Гарантийный талон не подлежит замене.**

Указание для стран-членов ЕС: Обращается внимание на предписанную по закону гарантию продавца, в частности, на то, что настоящая гарантия не умаляет действие этой предписанной по закону гарантии. Расходы на пересылку и обратную отправку продукта берет на себя производитель.

Настоящая гарантия действует в указанном выше объ-

еме и с учетом вышеуказанных предпосылок (включая предоставление оригинального чека на покупку также и в случае перепродажи продукта) для каждого последующего, будущего владельца продукта.

## Заявление о соответствии

Настоящая компания «Stadlbauer Marketing + Vertrieb GmbH» заявляет, что эта модель, включая контроллер, соответствует основополагающим требованиям следующих Директив ЕС: Директивы ЕС 2009/48 и 2014/30/EU об электромагнитной совместимости и прочим соответствующим предписаниям Директивы 2014/53/EU (RED). Оригинальное заявление о соответствии можно посмотреть на [carrera-rc.com](http://carrera-rc.com).



Максимальная мощность радиочастотного сигнала <10дБм  
Диапазон частот: 2400 – 2483,5 MHz

## Предупредительные указания!



**ВНИМАНИЕ!** Эта игрушка не предназначена для детей младше 3 лет в связи с наличием мелких деталей, которые ребенок может проглотить.

**ВНИМАНИЕ!** Функциональная опасность заземления! Прежде чем давать эту игрушку ребенку, удалите все упаковочные материалы и крепежную проволоку. Храните упаковку, адрес и инструкцию по эксплуатации, чтобы в будущем Вы смогли найти необходимую информацию и ответы на возможные вопросы. Указания для взрослых: проверьте правильность монтажа игрушки в соответствии с инструкцией. Монтаж необходимо выполнять под наблюдением взрослых.

## ВНИМАНИЕ! Не для детей младше 8 лет!

Настоящий продукт не предназначен для использования детьми без присмотра воспитателя. Для управления вертолетом необходимы определенные навыки. Обучение детей должно осуществляться под непосредственным наблюдением взрослых. Перед первым использованием вертолета прочтите информацию для пользователя вместе с ребенком. Неправильное использование может привести к тяжелым травмам и/или материальному ущербу. Продукт требует осторожного и осматрительного обращения, а также наличия развитой моторики и умственных способностей. Инструкция содержит указания по технике безопасности и предписания, а также указания по техническому обслуживанию и эксплуатации продукта. Перед первым применением настоящую инструкцию необходимо полностью прочитать и понять. Только таким способом можно избежать несчастных случаев, сопровождающихся травмами и повреждениями.

**Используйте продукт только в закрытых помещениях, в которых имеется достаточно места, и соблюдайте все указания, рекомендуемые в настоящей инструкции по эксплуатации.** Не допускайте попадания рук, волос, одежды, а также других предметов, напр., штифтов и отверток под пропеллер (ротор). Не прикасайтесь к вращающемуся ротору. Обратите особое внимание на то, чтобы Ваши руки НЕ попали в лопасти!

**ВНИМАНИЕ: Опасность повреждения глаз. Во избежание травм держите вертолет вдали от Вашего лица. Вы в качестве пользователя настоящего продукта несете единоличную ответственность за безопасное обращение с продуктом, исключающее нанесение повреждений другим лицам или их имуществу или повреждение их опасности.**

- Никогда не используйте модель со слабыми батарейками в контроллере.
- Эта игрушка предназначена исключительно для использования в домашних условиях.
- **ВНИМАНИЕ: Не запускайте вертолет, если в радиусе действия вертолета находятся люди, животные или другие преграды.**
- Точно соблюдайте инструкции и предупредительные указания для настоящего продукта и для возможного дополнительного оснащения (зарядного устройства, аккумуляторов и т. п.), которые Вы используете.
- Если вертолет столкнулся с живыми существами или твердыми предметами, немедленно установите рычаг управления газом в нулевое положение, т. е., левый жойстик должен быть опущен вниз до упора!
- Избегайте любой влажности, поскольку она может повредить электронику.
- Не выполняйте изменения или модификации на вертолете.

Если Вы не согласны с этими условиями, немедленно возвратите весь комплект модели вертолета в новом и неиспользованном виде в магазин.

**Важная информация о литиево-полимерных аккумуляторах**  
Литиево-полимерные (LiPo) аккумуляторы более чувствительны, чем обычные щелочные или никель-металл-гидридные аккумуляторы, которые также используются для дистанционного радиоуправления. Поэтому необходимо очень строго соблюдать предписания и предупредительные указания. При неправильном обращении с литиево-полимерными аккумуляторами существует опасность пожара. При утилизации литиево-полимерных аккумуляторов всегда соблюдайте информацию производителя.

## Правила утилизации отработавших электрических или электронных приборов в соответствии с Директивой WEEE



Изображенный здесь символ зачеркнутых контейнеров для мусора должен привлечь Ваше внимание на то, что разряженные батареи, аккумуляторы, батарейки кнопочной формы, аккумуляторные блоки, отработанные электрические приборы и т.д. нельзя выбрасывать в бытовой мусор, поскольку они наносят вред окружающей среде и здоровью. Пожалуйста, помогите сохранить окружающую среду и здоровье и поговорите со своими детьми о правильной утилизации отработавших батареек и отслуживших электрических приборов. Батарейки и отслужившие электрические приборы необходимо сдавать в известных пунктах сбора. Там они будут переданы для надлежащей утилизации. Нельзя использовать вместе разные типы батареек или новые и использованные батарейки. Вынимайте из игрушки использованные батарейки. Неперезаряжаемые батарейки запрещается заряжать, т.к. существует опасность взрыва.

**ВНИМАНИЕ!** Зарядное устройство или зарядный кабель USB могут использовать дети старше восьми (8) лет и лица с ограниченными физическими, сенсорными или психическими способностями или с недостатком опыта и/или знаний, если они находятся под присмотром или прошли инструктаж относительно безопасного использования устройства и уяснили для себя все риски, связанные с его использованием. Детям запрещается играть с зарядным устройством или зарядным кабелем USB. Детям - если им не исполнилось 8 лет и они не находятся под присмотром - нельзя выполнять очистку и техобслуживание устройств.

Храните зарядное устройство и кабель вдали от детей, которым еще не исполнилось 8 лет. **Никогда не оставляйте аккумулятор без присмотра во время зарядки.** Перед зарядкой заряжаемых батареек вынимайте их из игрушки. Клеммы не разрешается закорачивать. Разрешается использовать только рекомендованные или равноценные им батарейки. При регулярном использовании зарядного устройства необходимо проверить его кабель, соединительные элементы, крышки и другие детали. В случае повреждения зарядное устройство можно снова использовать только после ремонта. Гибкий внешний кабель данного зарядного устройства заменен не подлежит: при повреждении кабеля зарядное устройство следует утилизировать. Игрушку разрешается подключать только к приборам с классом защиты II. □

**Директивы и предупредительные указания по использованию литиево-полимерных аккумуляторов**

- Прилагаемый литиево-полимерный аккумулятор на 3,7 В и --- 180 мАч необходимо заряжать в безопасном месте вдали от воспламеняемых материалов.
- Никогда не оставляйте аккумулятор без присмотра во время зарядки.
- Для зарядки после полета аккумулятор должен сначала охладиться до температуры окружающей среды.
- Используйте только входящее в комплект поставки зарядное устройство для литиево-полимерных аккумуляторов (кабель USB/ контроллер). При несоблюдении этих указаний существует опасность пожара и риск нанесения вреда здоровью и/или материального ущерба. НИКОГДА не используйте другое зарядное устройство.
- Если в процессе зарядки или зарядки аккумулятор раздувается или деформируется, немедленно прекратите зарядку или разрядку. Как можно быстрее и осторожнее извлеките аккумулятор, положите его в безопасное, открытое место вдали от воспламеняемых материалов, и наблюдайте за ним на протяжении минимум 15 минут. При зарядке или разрядке раздувшегося или деформированного аккумулятора существует опасность пожара! Даже при незначительной деформации или раздувании аккумулятора его необходимо вывести из эксплуатации.
- Храните аккумулятор при комнатной температуре в сухом месте.

- После использования обязательно снова зарядите аккумулятор, чтобы избежать так называемого глубокого разряда аккумулятора. При этом обратите внимание на то, что между полетом и процессом зарядки необходимо выдержать паузу прилб. в 20 минут. Время от времени заряжайте аккумулятор (прибл. через каждые 2-3 месяца). При несоблюдении вышеуказанного способа использования аккумулятора могут возникнуть повреждения.
- При транспортировке или временном хранении аккумулятора температура должна составлять 5-50°C. По возможности не храните аккумулятор или модель в автомобиле или под воздействием прямых солнечных лучей. Если аккумулятор будет подвержен воздействию высоких температур в автомобиле, он может повредиться или загореться.

**Указание:** При низком значении напряжения/мощности батареи Вам понадобится значительное триммирование и/или значительные управляющие усилия, чтобы вертолет не вошел в стопор. Это происходит, как правило, до снижения напряжения аккумулятора до 3 В. Это - удачный момент для того, чтобы прекратить полет.

## Комплект поставки

- 1 вертолет
- 1 контроллер
- 1x Подставка с зарядным устройством в комплекте
- 1 зарядный кабель USB
- 2 батарейки Micro AAA на 1,5 В (не пригодны для многократного заряда)

## Зарядка литиево-полимерного аккумулятора

Следите за тем, чтобы входящий в комплект поставки литиево-полимерный аккумулятор заряжался только с помощью зарядного устройства для литиево-полимерных аккумуляторов (кабель USB или контроллер). Если Вы будете заряжать аккумулятор с помощью другого литиево-полимерного зарядного устройства или другого зарядного устройства, это может привести к серьезным повреждениям. Прежде чем продолжить, внимательно прочитайте предыдущий раздел с предупредительными указаниями и Директивами относительно использования аккумуляторов. Заряжать аккумуляторные батареи разрешается только взрослым. Не закорачивайте зарядные устройства и блоки питания.

- 2 **Зарядка через компьютер:**
  - Подключите зарядный кабель USB к порту USB на компьютере. СИД на зарядном кабеле USB загорается зеленым цветом, что свидетельствует о том, что зарядное устройство правильным образом подключено к компьютеру. При подключении вертолета с пустым аккумулятором светодиод на зарядном кабеле USB больше не загорается. Это свидетельствует о том, что идет зарядка аккумулятора вертолета. Зарядный кабель USB и зарядное гнездо вертолета исключают подключение с неправильной полярностью.
  - Зарядка разряженного (но не глубоко разряженного) аккумулятора длится приблизительно 30 минут. После полной зарядки аккумулятора светодиодный индикатор на зарядном кабеле USB снова загорается зеленым цветом.

**Указание:** При поставке входящий в комплект продукта литиево-полимерный аккумулятор частично заряжен. Поэтому первичная зарядка может длиться несколько меньше.

**Обязательно соблюдайте вышеуказанную последовательность подключения! Если Вы подключили зарядный кабель только к вертолету, не подсоединив его к источнику тока, светодиодный индикатор будет светиться зеленым цветом, указывая на то, что в аккумуляторной батарее еще имеется напряжение. Зеленый цвет светодиодного индикатора не отображает достаточность заряда аккумуляторной батареи. Во время зарядки выключатель должен быть установлен в положении «OFF».**

## Установка батареек в контроллер

- 3 Откройте батарейный отсек с помощью отвертки и вставьте батарейки в контроллер. Следите за правильной полярностью. После закрытия отсека Вы можете проверить функциональную спо-

собность контроллера с помощью выключателя с передней стороны. При установке выключателя в положение ON и надлежащей функциональной способности верхний светодиод по центру контроллера должен загореться красным светом. Если контрольный светодиод быстро мигает, необходимо заменить батарейки в контроллере.

## Привязка модели к контроллеру

- 4 Связь между радиоуправляемым вертолетом Saggera и контроллером установлена на заводе-изготовителе. Если изначально будут возникать проблемы со связью между радиоуправляемым вертолетом Saggera и контроллером, установите, пожалуйста, связь между ними повторно.
  - Снимите модель с презентационной подставки.
  - Включите модель с помощью выключателя ON/OFF.
  - Светодиод на вертолете мигает теперь в ускоренном ритме.
  - Переместите левый джойстик до упора вниз. Включите контроллер с помощью выключателя ON/OFF. Привязка осуществляется автоматически. Во время установки связи на контроллере раздается звуковой сигнал.
  - Держите модель таким образом, чтобы ротор (пропеллер) был направлен строго вверх.
  - Дайте вертолету короткое время, чтобы система правильно инициализировалась и была готова к работе.
  - Контрольный светодиод снова начинает постоянно светиться и сигнализирует об окончании установки связи.

## Контрольный список для подготовки к полету

Настоящий контрольный список не заменяет собой эту инструкцию по эксплуатации. Несмотря на то, что он может быть использован в качестве краткого руководства пользователя, мы настоятельно рекомендуем Вам сначала полностью прочитать настоящую инструкцию по эксплуатации, прежде чем продолжать.

- Проверьте содержимое упаковки
  - Подсоедините зарядное устройство к источнику тока.
  - Зарядите литиево-полимерный аккумулятор, как описано в разделе «Зарядка литиево-полимерного аккумулятора».
  - Вставьте батарейки 2 AAA в контроллер, соблюдая правильную полярность.
  - Подыщите подходящее место для полета
  - Действуйте так, как указано в 4.
  - При необходимости повторите вышеуказанные пункты, если Вы хотите одновременно управлять несколькими вертолетами.
  - Проверьте систему управления
  - Запустите модель одной рукой. При этом держите контроллер в другой руке, чтобы сразу же взять модель под контроль.
- ВНИМАНИЕ! МОДЕЛЬ САМА СОБОЙ ЛЕТИТ ВПЕРЕД, МОЖНО КОНТРОЛИРОВАТЬ ТОЛЬКО ВЫСОТУ И НАПРАВЛЕНИЕ ПОЛЁТА**
- Ознакомьтесь с системой управления
  - При необходимости выполните триммирование вертолета, как описано в главе «Управление вертолетом».
  - Теперь вертолет готов к полету.
  - Если вертолет не реагирует на Ваши команды, повторите вышеуказанный процесс привязки.
  - Приведите в движение модель
  - Посадите модель
  - Включите модель 3 секунды
  - Всегда выключайте пульт дистанционного управления в последнюю очередь

## Обзор функций контроллера

- 5 1. Антенна
2. Выключатель (ON / OFF)
3. Контрольный светодиод
4. Газ
5. Хвостовая часть (круговое вращение)

6. Триммер для хвостовой части
7. Батарейный отсек

3

## Описание вертолета

- 6 1. Соосная роторная система
2. Зарядное гнездо для зарядки литиево-полимерного аккумулятора
3. Дисплей/презентационная подставка (съёмная)
4. Выключатель ON/OFF

## Система управления вертолетом

- 7 Если Вы еще не ознакомились с функциями управления радиоуправляемого вертолета Saggera, выделите, пожалуйста, перед первым полетом несколько минут, чтобы ознакомиться с ними. Ссылка на положение слева или справа предполагает вид из кабины пилота (вид пилота).
 

Нажмите рычаг управления газом вверх, чтобы увеличить скорость вращения главных лопастей. При увеличении скорости вращения главных лопастей модель начинает подниматься вверх.

При опускании рычага управления газом и, таким образом, уменьшении скорости вращения главных лопастей вертолет опускается. Если модель поднялась в воздух, осторожным перемещением рычага управления газом вверх или вниз Вы можете переключить ее в стационарный режим парения без резкого поднятия или опускания.

- 8 При перемещении правого рычага (хвостовая часть) влево нос вертолета выполняет круговые движения влево (рыскание) вокруг оси главного ротора.
 

При перемещении правого рычага (хвостовая часть) вправо нос вертолета выполняет круговые движения вправо (рыскание) вокруг оси главного ротора.

Используйте триммер для хвостовой части, пока Вы не достигнете стабильного нейтрального положения вертолета в режиме парения без перемещения правого рычага (хвостовая часть).

- 9 **ВНИМАНИЕ! МОДЕЛЬ САМА СОБОЙ ЛЕТИТ ВПЕРЕД, МОЖНО КОНТРОЛИРОВАТЬ ТОЛЬКО ВЫСОТУ И НАПРАВЛЕНИЕ ПОЛЁТА**

После ознакомления с главными функциями управления и выбора участка для полета Вы можете выполнить первый полет.

## Выбор участка для полета

- 10 После подготовки к первому полету необходимо выбрать закрытое, как можно большее помещение без людей и препятствий. Учитывая размер вертолета и его маневренность, опытные пилоты могут также выбирать полеты в относительно небольших закрытых помещениях. Для Ваших первых полетов мы категорически рекомендуем выбирать помещение с минимальной площадью 3 на 3 метра и высотой 2,40 метра. После триммирования вертолета и ознакомления с его системой управления и его способностями Вы можете также попробовать полетать в меньших помещениях с ограниченной свободой действий.

**Эта игрушка предназначена только для домашнего использования (в доме и в саду).**

Информация о решении проблем находится на странице 17.

Ошибки и изменения не исключены  
 Цвета/окончательный дизайн – возможны изменения  
 Возможны технические и обусловленные дизайном изменения  
 Пиктограммы = фотографии символов

## ENGLISH

### Troubleshooting

**Problem:** Remote control does not work.  
**Cause:** The ON/OFF-power switch is turned "OFF".  
**Solution:** Turn the ON/OFF-power switch "ON".  
**Cause:** The batteries have been wrongly inserted.  
**Solution:** Check if the batteries have been correctly inserted.  
**Cause:** The batteries do not have enough power.  
**Solution:** Insert new batteries.

**Problem:** The helicopter cannot be controlled with the remote control  
**Cause:** The power switch on the remote control is turned "OFF".  
**Solution:** First turn the power switch on the remote control "ON".  
**Cause:** The remote control is possibly not correctly frequency bound with the receiver on the helicopter.  
**Solution:** Please carry out the binding procedure as described in „Checklist for flight preparation“.

**Problem:** The rotor blades do not rotate.  
**Cause:** The power switch on the model or the controller is at "OFF"  
**Solution:** Turn the ON/OFF-power switch "ON".  
**Cause:** The rechargeable battery is too weak or has run out of power.  
**Solution:** Charge the battery (see chapter "Charging the battery").

**Problem:** The helicopter does not lift.  
**Cause:** The rotor blades rotate too slowly.  
**Solution:** Push the throttle up.  
**Cause:** The battery's power is not sufficient.  
**Solution:** Charge the battery (see chapter "Charging the battery").

**Problem:** During flight, the helicopter loses speed and height without any obvious reason.  
**Cause:** The battery is too weak.  
**Solution:** Charge the battery (see chapter "Charging the battery").

**Problem:** The helicopter lands too quickly.  
**Cause:** Loss of throttle control.  
**Solution:** Push the throttle down slowly.  
**Cause:** Throttle has been pushed down too quickly.

## ΕΛΛΗΝΙΚΑ

### Λύσεις προβλημάτων

**Πρόβλημα:** Το Controller δεν λειτουργεί.  
**Αιτία:** Ο διακόπτης ON/OFF Power βρίσκεται στη θέση „OFF“.  
**Λύση:** Ρυθμίστε το διακόπτη Power ON/OFF στη θέση „ON“.  
**Αιτία:** Οι μπαταρίες έχουν τοποθετηθεί λάθος.  
**Λύση:** Ελέγξτε, αν έχουν τοποθετηθεί σωστά οι μπαταρίες

**Αιτία:** Οι μπαταρίες έχουν εξασθενήσει.  
**Λύση:** Τοποθετήστε νέες μπαταρίες

**Πρόβλημα:** Το ελικοπτερο δεν ελέγχεται με το χειριστήριο.  
**Αιτία:** Ο διακόπτης Power στο χειριστήριο βρίσκεται στη θέση „OFF“.  
**Λύση:** Τοποθετήστε πρώτα τον διακόπτη Power στο χειριστήριο στο „ON“.  
**Αιτία:** Το χειριστήριο (Controller) ίσως να μην είναι σωστά συνδεδεμένο με τον δέκτη του ελικοπτερου.  
**Λύση:** Δημιουργήστε σύνδεση όπως περιγράφεται στη „Λίστα ελέγχου για την προετοιμασία πριν την πτήση“.

**Πρόβλημα:** Τα πτερύγια του ρότορα δεν κινούνται.  
**Αιτία:** Ο διακόπτης Power στο ελικοπτερο ή στο Controller βρίσκεται στο „OFF“.  
**Λύση:** Ρυθμίστε το διακόπτη Power ON/OFF στη θέση „ON“.  
**Αιτία:** Η μπαταρία είναι σχεδόν ή εντελώς εκφορτισμένη.  
**Λύση:** Φορτίστε την μπαταρία (βλ. κεφάλαιο „Φόρτιση της μπαταρίας“).

**Πρόβλημα:** Το ελικοπτερο δεν ανυψώνεται.  
**Αιτία:** Οι έλικες κινούνται πολύ αργά.  
**Λύση:** Τραβήξτε τον μοχλό γκαζιού προς τα πάνω  
**Αιτία:** Η ισχύς της μπαταρίας δεν επαρκεί.  
**Λύση:** Φορτίστε την μπαταρία (βλ. κεφάλαιο „Φόρτιση της μπαταρίας“).

**Πρόβλημα:** Το ελικοπτερο χάνει χωρίς συγκεκριμένο λόγο κατά τη διάρκεια της πτήσης ταχύτητα και κατέρχεται.  
**Αιτία:** Η μπαταρία είναι σχεδόν εκφορτισμένη.  
**Λύση:** Φορτίστε την μπαταρία (βλ. κεφάλαιο „Φόρτιση της μπαταρίας“).

**Πρόβλημα:** Το ελικοπτερο προσγειώνεται πολύ γρήγορα.  
**Αιτία:** Απώλεια του ελέγχου επί του μοχλού γκαζιού.  
**Λύση:** Τραβήξτε αργά προς τα κάτω τον μοχλό γκαζιού.  
**Αιτία:** Πολύ γρήγορη έλξη προς τα κάτω του μοχλού γκαζιού.

## 中文

### 故障排除

**故障:** 遥控器失效  
**原因:** 电源开关处于“OFF”位置  
**解决办法:** 将电源开关拨至“ON”  
**原因:** 电池放置错误  
**解决办法:** 请检查电池是否放置正确  
**原因:** 电池电量低  
**解决办法:** 换上新电池

**故障:** 直升机不受遥控器控制  
**原因:** 遥控器电源开关处于“OFF”位置  
**解决办法:** 先将遥控器电源开关拨至“ON”  
**原因:** 遥控器与直升机的接收器有可能没有通信连接  
**解决办法:** 请按照“飞行前准备清单”

**故障:** 螺旋桨不转动  
**原因:** 模型或遥控器的电源开关处于“OFF”位置  
**解决办法:** 将电源开关拨至“ON”  
**原因:** 电池电量低或无电量  
**解决办法:** 给电池充电(请见“电池充电”章节)

**故障:** 直升机不上升  
**原因:** 螺旋桨转动过慢  
**解决办法:** 将油门操纵杆向上推  
**原因:** 电池电量不足  
**解决办法:** 给电池充电(请见“电池充电”章节)

**故障:** 直升机无明显原因减速并开始下降  
**原因:** 电池电量低  
**解决办法:** 给电池充电(请见“电池充电”章节)

**故障:** 直升机降落过快  
**原因:** 油门操纵失控  
**解决办法:** 油门操纵杆缓慢下拉  
**原因:** 油门操纵杆下拉过快



# 日本語

## 問題の解決策

**問題:** コントローラが機能しない。  
**原因:** ON/OFF電源スイッチがOFFになっている。  
**解決策:** ON/OFF電源スイッチをONにする。  
**原因:** バッテリーが誤ってセットされている。  
**解決策:** バッテリーが正しくセットさせているか確認する。  
**原因:** バッテリー容量が少ない。  
**解決策:** 新しいバッテリーをセットする。

**問題:** コントローラでヘリコプターを操作できない。  
**原因:** コントローラの電源スイッチがOFFになっている。  
**解決策:** はじめにコントローラの電源スイッチをONにする。  
**原因:** 蓄電池がヘリコプターのソケットに正しく接続されていない。  
**解決策:** 「飛行準備のチェックリスト」の項にあるようにベアリングを行います。

**問題:** プロペラが動かない。  
**原因:** ON/OFF電源スイッチがOFFになっている。  
**解決策:** ON/OFF電源スイッチをONにする。  
**原因:** 蓄電池の容量が少ない、あるいは空である。  
**解決策:** 蓄電池を充電する（「蓄電池の充電」の項を参照）。

**問題:** ヘリコプターが上昇しない。  
**原因:** プロペラの回転が遅すぎる。  
**解決策:** スロットルレバーを上を引き上げる。  
**原因:** 蓄電池のパワーが足りない。  
**解決策:** 蓄電池を充電する（「蓄電池の充電」の項を参照）。

**問題:** ヘリコプターが飛行中にはっきりとした理由もなく速度を落とし、降下する。  
**原因:** 蓄電池の容量が少ない。  
**解決策:** 蓄電池を充電する（「蓄電池の充電」の項を参照）。

**問題:** ヘリコプターの着陸が急すぎる。  
**原因:** スロットルレバーの制御が利いていない。  
**解決策:** スロットルレバーをゆっくりと下げる。  
**原因:** スロットルレバーが急激に下げられた。

# 한국어

## 문제 해결

**문제:** 컨트롤러가 작동하지 않음.  
**원인:** ON/OFF 파워 스위치가 „OFF“로 되어 있음.  
**해결책:** ON/OFF 파워 스위치를 „ON“으로 전환.  
**원인:** 전지가 잘못 장착됨.  
**해결책:** 전지가 제대로 장착되었는지 검토하십시오.  
**원인:** 전지가 충분하지 않음.  
**해결책:** 새 전지를 장착하십시오.

**문제:** 헬리콥터를 컨트롤러로 조종할 수 없음.  
**원인:** 컨트롤러의 파워 스위치가 „OFF“로 되어 있음.  
**해결책:** 먼저 컨트롤러의 파워 스위치를 „ON“으로 전환.  
**원인:** 컨트롤러가 간혹 헬리콥터의 수신기와 제대로 연결되어 있지 않을 수 있습니다.  
**해결책:** “비행 준비를 위한 체크리스트”.

**문제:** 회전날개가 움직이지 않음.  
**원인:** 모델 및 컨트롤러의 전원 스위치가 “OFF”입니다.  
**해결책:** On/OFF 파워 스위치를으로 전환.  
**원인:** 전지가 너무 약하거나 비어 있음.  
**해결책:** 전지 충전 („전지 충전“에 관한 설명 참고).

**문제:** 헬리콥터가 뜨지 않음.  
**원인:** 회전 날개가 너무 서서히 움직임.  
**해결책:** 속력 공이를 위로 당기십시오.  
**원인:** 전지 성능이 충분하지 않음.  
**해결책:** 전지 충전 („전지 충전“에 관한 설명 참고).

**문제:** 헬리콥터가 비행중 뚜렷한 이유없이 속력을 잃고 강하함.  
**원인:** 전지가 너무 약함.  
**해결책:** 전지 충전 („전지 충전“에 관한 설명 참고).

**문제:** 헬리콥터가 너무 빨리 착륙함.  
**원인:** 속도공이를 통해 조종이 되지 않음.  
**해결책:** 속도공이를 천천히 당길 것.  
**원인:** 속도공이를 너무 빨리 당김.

# РУССКИЙ

## Решения проблем

**Проблема:** Контроллер не работает.  
**Причина:** Выключатель ON/OFF находится в положении «OFF».  
**Решение:** Установите выключатель ON/OFF в положение «ON».  
**Причина:** Неправильно установлены батарейки.  
**Решение:** Проверьте, правильно ли установлены батарейки.  
**Причина:** Батарейки недостаточно заряжены.  
**Решение:** Вставьте новые батарейки

**Проблема:** Вертолетом невозможно управлять с помощью контроллера.  
**Причина:** Выключатель контроллера установлен в положение «OFF».  
**Решение:** Установите сначала выключатель в положение «ON».  
**Причина:** Контроллер неправильно соединен с приемным устройством в вертолете.  
**Решение:** Выполните процесс привязки, как описано в главе «Контрольный список для подготовки к полету».

**Проблема:** Лопасти не вращаются.  
**Причина:** Выключатель модели или контроллера установлен в положение «OFF».  
**Решение:** Установите выключатель ON/OFF в положение «ON».  
**Причина:** Аккумулятор слишком слаб или разрядился.  
**Решение:** Зарядите аккумулятор (см. раздел «Зарядка аккумулятора»).

**Проблема:** Вертолет не поднимается в воздух.  
**Причина:** Лопасти вращаются слишком медленно.  
**Решение:** Передвиньте рычаг управления газом вверх.  
**Причина:** Мощность аккумулятора недостаточна.  
**Решение:** Зарядите аккумулятор (см. раздел «Зарядка аккумулятора»).

**Проблема:** Вертолет теряет скорость и высоту во время полета без видимой причины.  
**Причина:** Аккумулятор слишком слаб.  
**Решение:** Зарядите аккумулятор (см. раздел «Зарядка аккумулятора»).

**Проблема:** Вертолет приземляется очень быстро.  
**Причина:** Потеря контроля над рычагом управления газом  
**Решение:** Медленно потяните рычаг управления газом вниз.  
**Причина:** Слишком быстрое опускание рычага управления газом.





## DISTRIBUTORS

### AUSTRIA

**Stadlbauer Marketing + Vertrieb GmbH**  
Rennbahn Allee 1  
5412 Puch / Salzburg · Austria  
Phone +43 662 88 921-0  
Fax +43 662 88 921-512  
Internet [www.carrera-rc.com](http://www.carrera-rc.com)

### GERMANY

**Stadlbauer Marketing + Vertrieb GmbH**  
Rennbahn Allee 1  
5412 Puch / Salzburg · Austria  
Phone +49 911 7099-0  
Fax +49 911 7099-119  
Internet [www.carrera-rc.com](http://www.carrera-rc.com)

### HONG KONG

**Stadlbauer (HK) Ltd.**  
Room 1917, North Tower  
Concordia Plaza  
1 Science Museum Road  
Tsimshatsui East · Kowloon  
Hong Kong  
Phone +852 2722 0620  
Fax +852 2367 0792  
Internet [www.carrera-rc.com](http://www.carrera-rc.com)

### USA / CANADA

**Carrera of America Inc.**  
2 Corporate Drive  
Cranbury, NJ 08512 · USA  
Phone +1 609 409 8510  
Fax +1 609 409 8610  
Email [reception@carrera-toys.com](mailto:reception@carrera-toys.com)  
Internet [www.carrera-rc.com](http://www.carrera-rc.com)

### BENELUX

**Stadlbauer Marketing + Vertrieb GmbH**  
Landsheerlaan 33  
6114 MP Susteren · Netherlands  
Email [service.benelux@carrera-toys.com](mailto:service.benelux@carrera-toys.com)  
Internet [www.carrera-rc.com](http://www.carrera-rc.com)

### FRANCE

**Stadlbauer Marketing + Vertrieb GmbH**  
21 B, Route Nationale  
Domaine de L'Hancardrie  
59320 Ennetieres-En-Weppes · France  
Phone +33 3 20384893  
Fax +33 3 20384893  
Email [carrera-toys@orange.fr](mailto:carrera-toys@orange.fr)  
Internet [www.carrera-rc.com](http://www.carrera-rc.com)

### SPAIN / PORTUGAL / LATIN AMERICA

**Stadlbauer Iberia SLU**  
Calle Fluvia 97, 1º 2º  
08019 Barcelona · Spain  
Phone +34 93 3036335  
Email [contacto@carrera-toys.com](mailto:contacto@carrera-toys.com)  
Internet [www.carrera-rc.com](http://www.carrera-rc.com)

### HUNGARY

**Magyarország Importer**  
**Stadlbauer Marketing + Vertrieb GmbH**  
Rennbahn Allee 1  
5412 Puch / Salzburg · Austria  
Phone +36 305556 502  
Email [office@stadlbauer-toys.hu](mailto:office@stadlbauer-toys.hu)  
Internet [www.carrera-rc.com](http://www.carrera-rc.com)  
**Service:**  
GAME PARK – VINCZE ZOLTÁN  
Berky Lili utca 36. · 1171 Budapest  
Hungary  
Phone +36 1 258-7809  
Email [vinzol@t-online.hu](mailto:vinzol@t-online.hu)

### ITALY

**Stadlbauer Marketing + Vertrieb GmbH**  
Rennbahn Allee 1  
5412 Puch / Salzburg · Austria  
Phone +39 0735 681084  
Email [assistenza@carrera-toys.com](mailto:assistenza@carrera-toys.com)  
Internet [www.carrera-rc.com](http://www.carrera-rc.com)  
**Service:**  
Model Assistance s.r.l.  
Via Guadiana 24  
42124 Reggio Emilia · Italy  
Phone +39 388 4275395  
Email [assistenza@carrera@radiokontrol.it](mailto:assistenza@carrera@radiokontrol.it)

### POLAND

**Stadlbauer Marketing + Vertrieb GmbH**  
Rennbahn Allee 1  
5412 Puch / Salzburg · Austria  
Phone +48 515-056-296  
Mobile +48 71 393 78 10  
Email [office@stadlbauer-toys.pl](mailto:office@stadlbauer-toys.pl)  
Internet [www.carrera-rc.com](http://www.carrera-rc.com)  
**Service:**  
REKMAN B2B IT  
Ul. Europejska 4, Magnice  
55-040 Kobierzycze · Poland  
Phone +48 515-056-296  
Mobile +48 71 393 78 10  
Email [serwis-carrera@rekman.com.pl](mailto:serwis-carrera@rekman.com.pl)

### CARRERA DISTRIBUTORS

#### AUSTRALIA

Zimble Pty Ltd.  
899 Heidelberg Road  
Ivanhoe, Victoria 3079 · Australia  
Phone +61 3 84811000  
Fax +61 3 94972311  
Email [sales@zimble.com.au](mailto:sales@zimble.com.au)  
Internet [www.zimble.com.au](http://www.zimble.com.au)

#### BULGARIA

Ivanchev Ltd.  
78a, Maria Luiza Blvd.  
1202 Sofia · Bulgaria  
Phone +359 283 22020  
Fax +359 283 22020  
Email [kivanchev@del.bg](mailto:kivanchev@del.bg)

#### CHINA

Shanghai Wowgame  
Commercial Company Ltd.  
Room 110, Tower 1,  
German Centre,  
88 Keyuan Road,  
(Zhangjiang Hi-Tech Park),  
Pudong,  
201203 Shanghai · China  
Phone +86 21 53821692  
Mobile +86 155 77449439  
Email [eddychan@wowgame.com.cn](mailto:eddychan@wowgame.com.cn)  
Internet [www.wowgame.net.cn](http://www.wowgame.net.cn)

#### CYPRUS

TGW TOYS GAMES WORLD LTD  
38 Spyrou Kyprianou Street  
4043 Potamos Germasogias,  
Limassol · Cyprus  
Phone +357 25 430043  
Email [info@toytower.com](mailto:info@toytower.com)  
Internet [www.toytower.com](http://www.toytower.com)

#### CZECH REPUBLIC

ConQuest entertainment a.s.  
Hloubetinska 11  
193 00 Praha 9 · Hloubetin  
Czech Republic  
Phone +420 284 000 111  
Fax +420 284 000 101  
Email [radim.kalo@conquest.cz](mailto:radim.kalo@conquest.cz)  
Internet [www.cqe.cz](http://www.cqe.cz)

### DENMARK / SWEDEN /

**NORWAY / FINLAND / ICELAND**  
Tactic Games OY  
Raumanjuovantie 2  
P.O. Box 4444  
28101 Pori · Finland  
Phone +358 2 624 4144  
Fax +358 2 624 4211  
Email [info@tactic.net](mailto:info@tactic.net)  
Internet [www.tactic.net](http://www.tactic.net)

### ESTONIA

Anvol Ltd.  
Madikse 7,  
74114 Maardu · Estonia  
Phone +372 63 88 100  
Fax +372 63 88 101  
Email [anvol@anvol.eu](mailto:anvol@anvol.eu)  
Internet [www.anvol.eu](http://www.anvol.eu)

### GREECE

Enarxis Dynamic Media Ltd.  
68, Ilia Iliou Street  
11 744, Neos Kosmos  
Athens · Greece  
Phone +30 2109011900  
Fax +30 2109028700  
Email [info@enarxis.eu](mailto:info@enarxis.eu)  
Internet [www.enarxis.eu](http://www.enarxis.eu)

### HONG KONG

Chun Lee (HK) Industrial Limited  
RM. 1801-5, 18/F,  
King Palace Plaza,  
52A Sha Tsui Road,  
Tsuen Wan  
N.T. Hong Kong  
Phone +852 910 36679  
Email [eddychan@yu-lee.com](mailto:eddychan@yu-lee.com)

### INDONESIA

PT. Toys Games Indonesia  
Kawan Lama Building,  
7th Floor  
Jl. Puri Kencana No. 1  
Meruya - Kembangan  
Jakarta 11610 · Indonesia  
Phone +62 21 58290-06  
Fax +62 21 58290-16  
Email [smile@toyskingdom.co.id](mailto:smile@toyskingdom.co.id)  
Internet [www.toyskingdom.co.id](http://www.toyskingdom.co.id)

### ISRAEL

TOP PLAY ISRAEL (T.P.I.) LTD  
P.O. Box 7823 Kiryat Matalon  
Petach-Tikva,  
49250 · Israel  
Phone +972 3 9323767  
Mobile +972 52 8338966  
Fax +972 3 9086074  
Email [top-play@012.net.il](mailto:top-play@012.net.il)  
Internet [www.TopPlay-toys.com](http://www.TopPlay-toys.com)

### LEBANON

F. AQLIAD  
P.O. Box 1565 Jounieh Lebanon  
Twin Towers Building Blk A  
Sarba High Way  
Jounieh · Lebanon  
Phone +961 3 840505  
Fax +961 9 635473  
Email [riad.aouad@faouad.com](mailto:riad.aouad@faouad.com)

### MONGOLIA

Circle LLC  
Encanto Town  
District Bayanzurkh 26th khoroo  
Ikh Mongol State Street  
210523 Ulaanbaatar · Mongolia  
Phone +976 77073034  
Fax +976 11 305646  
Email [import1@orgil.mn](mailto:import1@orgil.mn)  
Internet [www.orgil.mn](http://www.orgil.mn)

### NEW ZEALAND

FW Cave Ltd.  
15 Old North Road  
P.O. Box 278,  
Kumeu 0841  
Auckland · New Zealand  
Phone +64 9 4157 766  
Fax +64 9 4157 099  
Email [sales@fwcave.co.nz](mailto:sales@fwcave.co.nz)  
Internet [www.fwcave.co.nz](http://www.fwcave.co.nz)

### RUSSIA

Unitoys MSK Ltd.  
CoolPlay d.o.o.  
Mnevniky, 7-2  
123308 Moscow · Russia  
Phone +7 495 276 0286  
Fax +7 499 946 4616  
Email [office@unitoys.ru](mailto:office@unitoys.ru)  
Internet [www.unitoys.ru](http://www.unitoys.ru)

### SERBIA / MONTENEGRO

CoolPlay d.o.o.  
Dr. Nika Miljanica 18  
11000 Belgrade · Serbia  
Phone +381 65 8026620  
Email [office@coolplay.rs](mailto:office@coolplay.rs)

### SWITZERLAND

Waldmeier AG  
Neustrasse 50  
4623 Neuendorf · Switzerland  
Phone +41 62 387 98 18  
Fax +41 62 387 98 20  
Email [info@waldmeier.ch](mailto:info@waldmeier.ch)  
Internet [www.waldmeier.ch](http://www.waldmeier.ch)

### TURKEY

SUNMAN SAN. MAM. İTH. İHR. ve TIC. A.Ş.  
Turgut Özal Cad. No.125  
41420 Çayirova / Kocaeli · Turkey  
Phone +90 216 499 80 80  
Fax +90 216 314 67 20  
Email [info@sunman.com.tr](mailto:info@sunman.com.tr)  
Internet [www.sunman.com.tr](http://www.sunman.com.tr)

### UNITED KINGDOM

The Hobby Company Ltd.  
Garforth Place, Knowlhill  
Milton Keynes MK5 8PG · UK  
Phone +44 1908 209480  
Fax +44 1908 235900  
Email [enquiries@hobbyco.net](mailto:enquiries@hobbyco.net)  
Internet [www.hobbyco.net](http://www.hobbyco.net)

### UNITED ARAB EMIRATES

Toyworld Distributor  
P.O. Box 289, Gibca Building  
Al Wahda Street, Sharjah · UAE  
Phone +971 6 5337418  
Fax +971 6 5336682  
Email [info@toyworlduae.com](mailto:info@toyworlduae.com)  
Internet [www.toyworlduae.com](http://www.toyworlduae.com)

### VIETNAM

Viet Tinh Anh JSC  
V33-35 Street D4, Him Lam,  
Tan Hung ward,  
Dist. 7, Ho Chi Minh City · Vietnam  
Phone +84 8 543187-17  
Fax +84 8 543187-16  
Email [info@viettinhanh.com.vn](mailto:info@viettinhanh.com.vn)  
Internet [www.viettinhanh.com.vn](http://www.viettinhanh.com.vn)

