



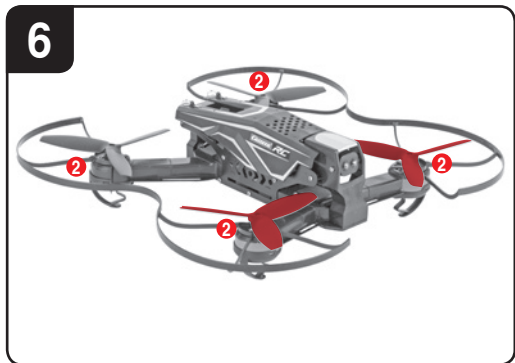
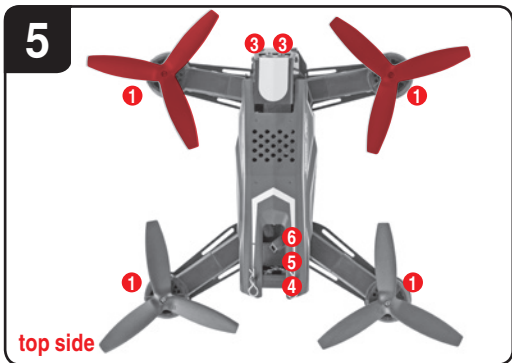
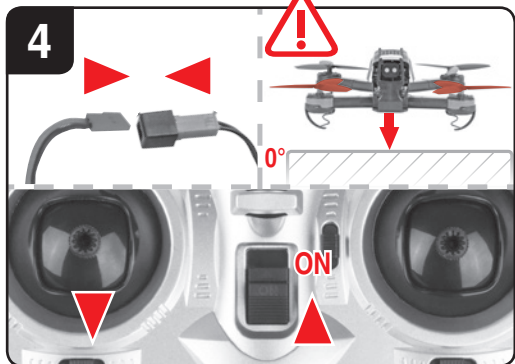
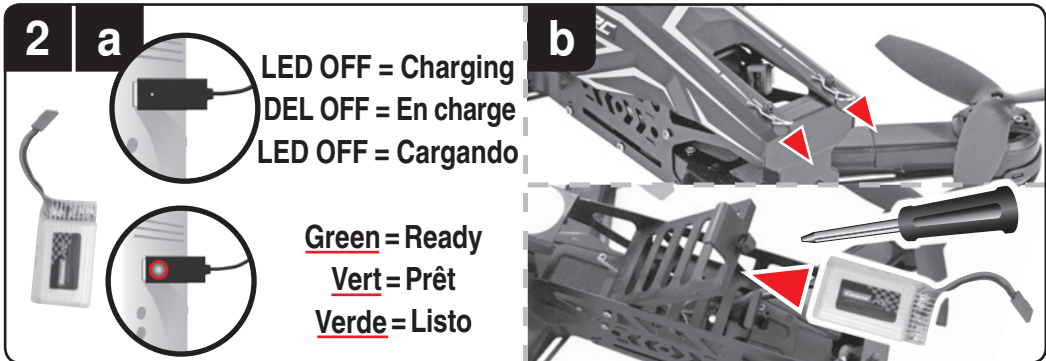
- GB USA** *Assembly and operating instructions*
- GR** *Οδηγίες συναρμολόγησης και λειτουργίας*
- RC** *安装和使用说明*
- J** *取扱説明書*
- ROK** *조립과 작동 방법*
- RUS** *Инструкция по монтажу и эксплуатации*

#370503022 Carrera RC Race Copter

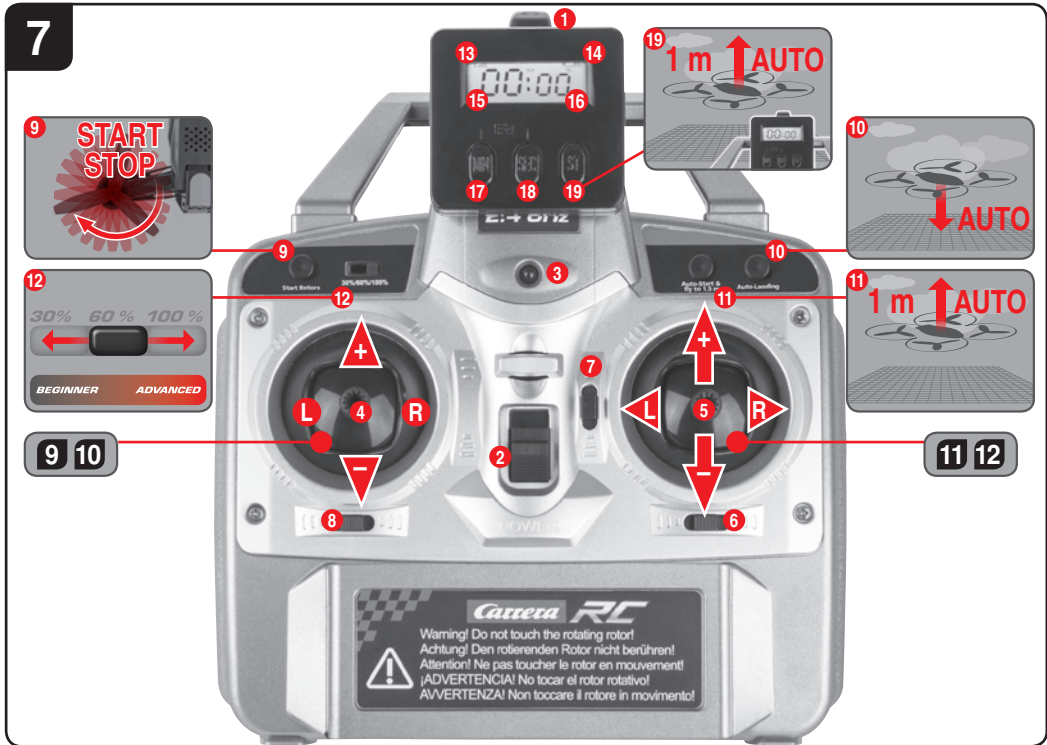
RC*Power*

carrera-rc.com

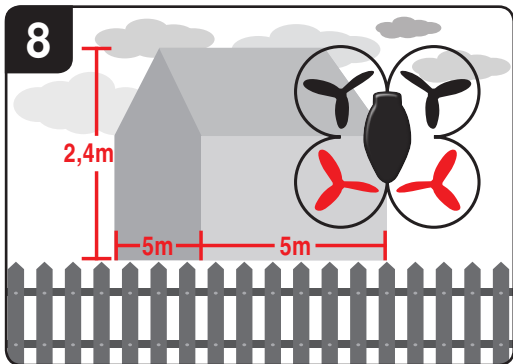
Made in China, Shantou.



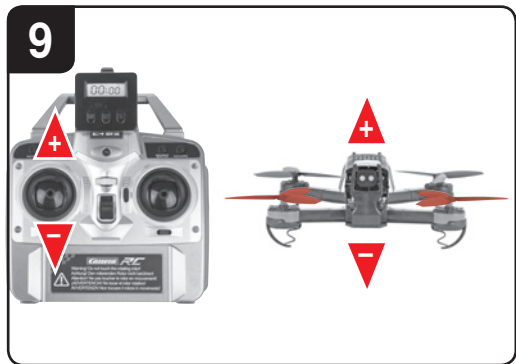
7



8



9

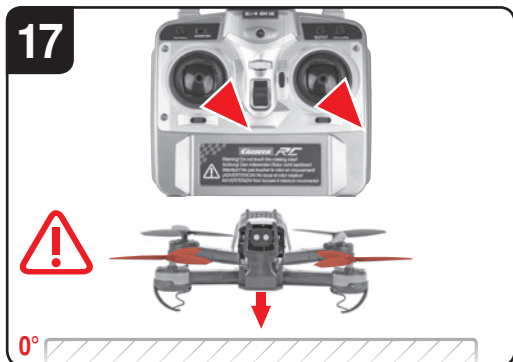
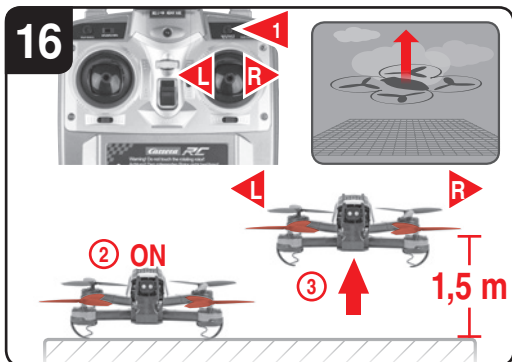
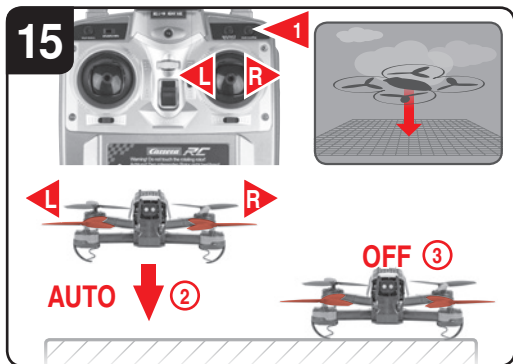
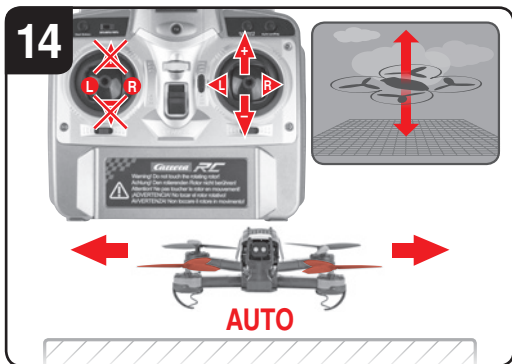
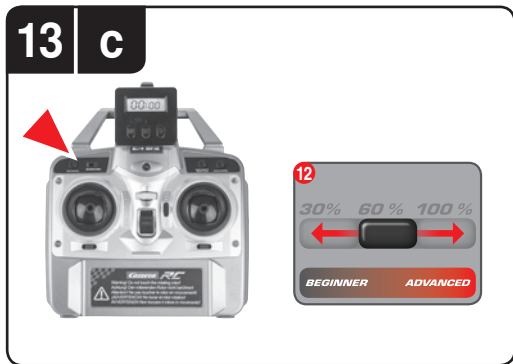
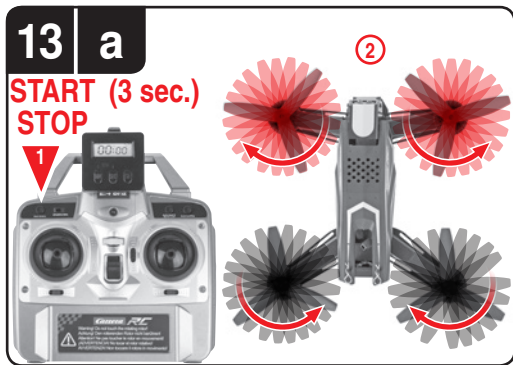
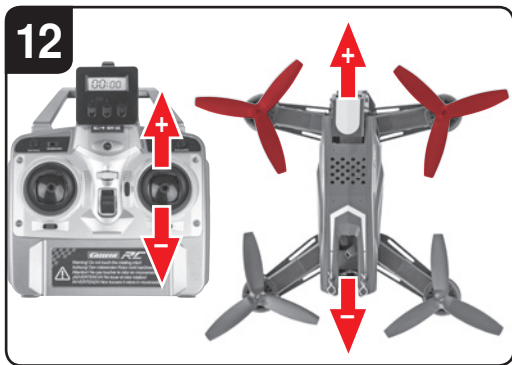


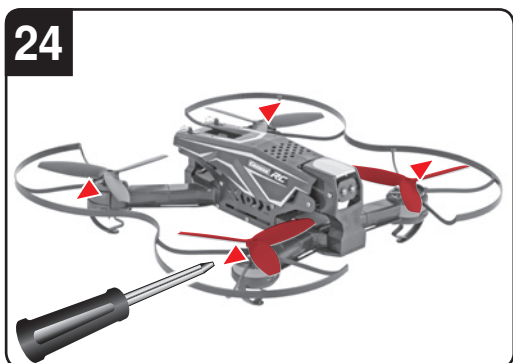
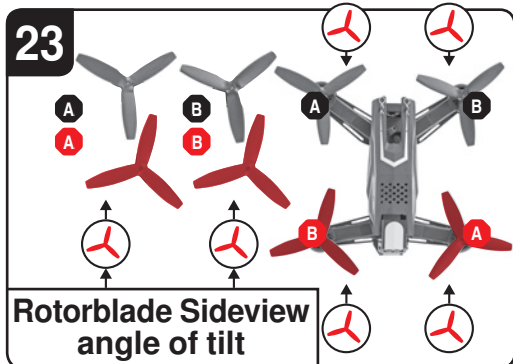
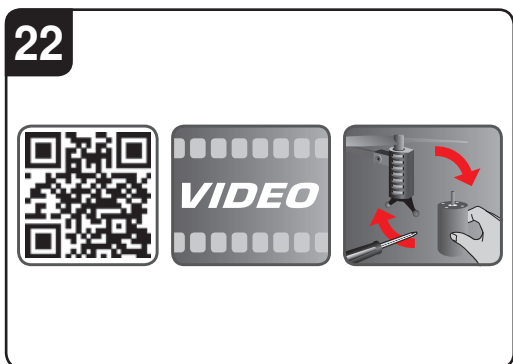
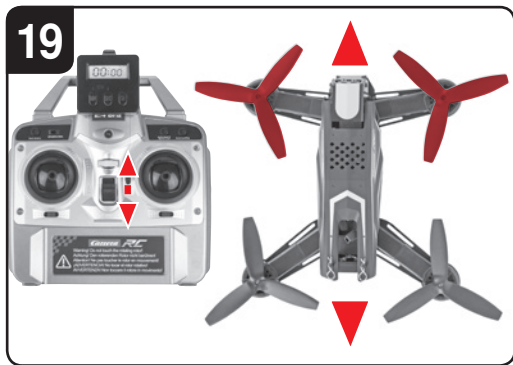
10



11









Dear customer

Congratulation! You bought a Carrera RC Quadrocopter which has been manufactured according to today's state-of-the-art technology. As it is our constant endeavour to develop and improve our products, we reserve the right to make modifications, either of a technical nature or with respect to features, materials and design, at any time, and without prior notice. For this reason, no claims will be accepted for any slight deviations in your product from the data and illustrations contained in these instructions. These operating and assembly instructions are an integral part of the product. Non-observance of these operating instructions and the safety instructions they contain will render the guarantee null and void. These instructions are to be kept for future reference and in the event that the product is passed on to a third party.

For the latest version of these operating instructions and information on replacement and spare parts available, please visit carrera-rc.com in the service area.

WARNING! Before you first fly the model, find out whether there is a legal requirement to insure model aeroplanes such as this in your country.

Guarantee conditions

Carrera products are technically advanced products (NO TOYS) which should be handled with care. It is important to follow the directions given in the operating instructions. All components have been subjected to careful inspection (technical modifications and alterations to the model for the purpose of product improvement are reserved). Should any faults nevertheless occur, guarantee is assumed within the scope of the following conditions:

In accordance with the following provisions, Stadlbauer Marketing + Vertrieb GmbH (hereinafter referred to as "manufacturer") warrants

to the endconsumer (hereinafter referred to as "customer") that the Carrera RC-model-Quadrocopter (hereinafter referred to as "product") delivered to the customer shall be free from defects in material or workmanship for two years from the date of purchase (guarantee period). Such defects will, at the manufacturer's option, either be repaired by the manufacturer or fixed by delivering new or refurbished parts free of charge. The warranty does not cover failure due to normal wear and tear, (e.g. to batteries, rotor blades, cabin covering, gear wheels etc.), or damage as a result of improper handling/misuse or unauthorised interference. Any other customer's claims asserted against the manufacturer, especially action for damages, shall be excluded.

The contractual and statutory rights of the customer against the seller (supplementary performance, rescission of the contract, abatement, compensation) which exist with the product not having been free from defects at the time of the passing of risk, shall remain unaffected by this warranty.

Claims from this special warranty shall only be valid if:

- the defect reported has not arisen by damage caused by unintended use or misuse as specified in the instruction manual,
- the failure of the product is not due to normal wear and tear
- the product does not show any signs resulting from repairs or other interferences carried out by workshops not having been authorised by the manufacturer,
- the product has only been operated with accessories authorised by the manufacturer.

Guarantee cards cannot be replaced.

Note for EU countries: Reference is hereby made to the seller's statutory guarantee obligation, to the extent that this guarantee obligation is not restricted by the product guarantee.

The manufacturer shall bear the costs for sending in and returning the product.

This warranty shall be valid to the extent aforementioned and under the above-named

circumstances (including the submittal of the original proof of purchase also in case of resale) for any future owner of the product.

Declaration of conformity

Stadlbauer Marketing + Vertrieb GmbH hereby declares that this model including the controller conforms with the fundamental requirements of the following EC directives: EC Directives 2009/48 and 2004/108/EC regarding electromagnetic compatibility and the other relevant regulations of Directive 2014/53/EU (RED). The original declaration of conformity can be requested from carrera-rc.com.



Maximum radio-frequency power transmitted <10 dBm · Frequency range: 2400 – 2483.5 MHz

Warning!

Keep the instructions for use for later reference. Note for adult supervisors: Check if the toy is assembled as instructed. The assembly shall be performed under the supervision of an adult.

A remote-controlled Quadrocopter is NOT A TOY and is only suitable for teenagers over the age of 14!

This product is not intended for use by children without supervision of a parent. Flying the helicopter requires skill and children must be trained under the direct supervision of an adult. **Before first use: Read the user's information together with your child.** Inappropriate use may result in severe injuries and/or damage to property.

It has to be operated with care and caution and requires both mechanical and mental skills. The operating instructions contain notes on safety and technical regulations as well as information on maintaining and operating the product. It is indispensable to read these instructions thoroughly before the first usage. Only this helps to avoid accidents with injuries and damage.

Hands, hair and loose clothing, including other objects such as pens and screwdrivers must be kept away from the propeller (rotor). Do not touch the rotating rotor. Especially take care that your hands DO NOT get close to the rotor blades!

WARNING: Do not fly near your face to avoid injuries. For use only outdoors – not to be used indoors. Risk of eye injuries. Start and fly only when the area is appropriate for the intended use (free area, no obstacles) and only within direct visual contact. As user of this product you are solely responsible for handling it safely in order to ensure that neither you nor other persons or their property suffer damages or are endangered.

- Never use your model with weak remote control batteries.
- Avoid busy areas. Always make sure that there is enough space.
- Preferably do not use your model on an open street or in public areas in order not to endanger or hurt anyone.
- **CAUTION: Do not start up and fly when persons, animals or any obstructions are within the flying range of the Quadrocopter.**
- Start and fly is strictly forbidden near high voltage poles, railway tracks, roads, swimming pools or open water.
- Only operate under good visibility and calm weather conditions.
- Exactly observe the instructions and warnings for this product and for any possible additional equipment (battery charger, rechargeable batteries etc.) being used by you.
- **Should the Quadrocopter come into contact with any living thing or solid object, immediately return the gas control to zero, in other words the left-hand joystick must be at the stop at the bottom of the slide!**
- Avoid any moisture as this might do damage to the electronics.
- There is a risk to suffer severe injury or even death if you put parts of your model into your mouth or lick them.
- Do not change or modify anything on the Quadrocopter.

If you do not agree to these terms please immediately return the complete Quadrocopter model in new and unused condition to the retailer.

Important information concerning Lithium Polymer rechargeable batteries

Lithium-Polymer (LiPo) rechargeable batteries are significantly more sensitive than traditional alkali- or NiMH-rechargeable batteries normally used with radio control units. Therefore the instructions and warnings have to be observed in detail. In case of improper use of LiPo rechargeable batteries there is a danger of fire. Always follow the manufacturers' instructions if you dispose of LiPo rechargeable batteries.

Regulations on disposal for waste electrical and electronic equipment (WEEE)



This symbol, showing refuse bins with a cross through them, denotes that empty batteries, rechargeable batteries, button

cells, rechargeable battery packs, equipment batteries, disused electrical equipment, etc. should not be disposed of in domestic refuse, as they are harmful to the environment and health. Please help to preserve environment and health and talk to your children about the correct disposal of used batteries and disused electrical equipment. Batteries and disused electrical equipment should be handed in to the usual collection points where they can be properly recycled.

Do not mix dissimilar battery types or employ new and used batteries together. Empty batteries should be removed from the product. Do not attempt to recharge non-rechargeable batteries.

WARNING! The charger unit and the USB cable may be used by children eight (8) years and upwards and by persons with with restricted physical, sensory or mental faculties, inexperience or lack of knowledge provided they are supervised or have been adequately trained in the safe use of the unit and have a proper understanding of the dangers it poses. Children must not be allowed to treat the charger or the USB cable as a toy. Cleaning and user maintenance may only be carried out by children if

they are over eight years old and supervised. Children under eight years old must be kept away from the charger and the connecting cable. **Never leave the battery unattended while it is charging.** Exhausted batteries are to be removed from the toy. Rechargeable batteries should be removed from the product before charging. Supply terminal are not to be short-circuited. Only use the batteries recommended or equivalent types.

If in regular use the charger must be examined for damage to the cord, plug, covers and all other parts. If any signs of damage are found the charger may only be used again after repair work has been completed.

The toy is only to be connected to Class II equipment bearing the following symbol. ☐

FCC statement

This device complies with Part 15 of the FCC Rules. Operation is subject to the following two conditions:

- (1) this device may not cause harmful interference, and
- (2) this device must accept any interference received, including interference that may cause undesired operation.

Changes or modifications not expressly approved by the part responsible for compliance could void the user's authority to operate the equipment.

Guidelines and warnings for the use of LiPo rechargeable batteries

- You have to charge the attached 3.7 V --- 1000 mAh / 3,7 Wh LiPo rechargeable battery in a safe place and at a safe distance to flammable material.
- Never leave the battery unattended while it is charging
- After a flight, the rechargeable battery has to cool down to the ambient air temperature before charging it.
- You must always use the corresponding LiPo charging unit (USB cable / remote control). In case of non-compliance with these directions there is a danger of fire resulting

in a health risk and/or damage to property. NEVER use any other battery charger.

- Should the rechargeable battery swell or deform while discharging or recharging, you have to immediately stop charging or discharging the battery. Take the battery out as quickly and carefully as possible and place it in a safe and open area offside any inflammable material and watch it for at least 15 minutes. In case you continue charging or discharging a battery which has already started to swell or deform there is a danger of fire! Even in case of slight deforming or ballooning the rechargeable battery has to be taken out of operation.
- Store the rechargeable battery at ambient temperature in a dry place.
- **Always recharge the battery immediately after use to prevent its becoming deep discharged. Please make sure to allow a pause of about 20 minutes between finishing the flight and recharging the battery. Recharge the battery occasionally (suggested every 2-3 months). Failure to treat the battery as described above can lead to its becoming defective.**
- When transporting or temporarily storing the rechargeable battery the temperature should be between 5-50°C. If possible, do not store the battery or the model in a car and do not expose it to direct sunlight. In case the battery is broiled it can be damaged or catch fire.

Note: If the battery voltage/output is low you will recognise that a considerable trim and/or controlling is necessary to avoid that the Quadrocopter starts trundling. This usually occurs before reaching a battery voltage of 3 V and it is a good moment to end the flight.

Instruction Manual

Contents of package

- 1x Quadrocopter
- 1x Controller
- 1x Pylons
- 1x USB charging cable
- 1x Rechargeable Battery
- 2x Replacement motor (right/left)
- 1x Screwdriver
- 2x 1.5 V Mignon AA batteries (non-rechargeable)

Recharging the LiPo rechargeable battery

Make sure you only charge the LiPo rechargeable battery supplied with the LiPo charging unit also supplied (USB cable and remote control). If you try to charge the rechargeable battery with a different LiPo battery charger or any other battery charger, this might cause serious damage. Please carefully read the previous chapter with warnings and guidelines on the usage of rechargeable batteries before proceeding. Supply terminals are not to be short-circuited.

You can charge the rechargeable battery fitted in the Quadrocopter with its USB charging cable from a USB port on a computer:

2a Charging via computer:

- **Rechargeable batteries are to be removed from the model before being charged.**
- Connect the USB charging cable with the USB port of a computer. The LED on the USB charger cable lights green indicating that the charger unit is correctly connected to the computer. If you plug in a Quadrocopter with a discharged battery, the LED on the USB charging cable no longer lights up, showing that the Quadrocopter battery is being charged. The USB charging cable and the charging socket on the Quadrocopter are designed to make incorrect connection impossible.

- It takes about 120 minutes to recharge a discharged battery (but NOT a deep-discharged one). When the battery is fully charged, the LED display on the USB charger cable lights up green again.

Note: when supplied, the lipo-battery is already partially charged. So the first charging cycle may well take less time.

It is essential to follow the connection sequence given above!

Undo the plugged connection on the Quadcopter when you are not using the Quadcopter. Failure to observe this precaution may cause battery damage!

2b) Insertion of the rechargeable batteries into the Quadcopter

- Remove the two clips on the top side of the Quadcopter and remove the cover of the battery compartment. Open the cover of the battery compartment with the aid of the enclosed screwdriver. Insert the battery. Connect the battery in the model. Close the battery compartment.
- If the LED on the Quadcopter flashes slowly, you must change the battery.

Inserting the batteries in the remote control

- 3** Open the battery compartment with a screwdriver and insert the batteries in the remote control. Please keep in mind the correct polarity. Different types of batteries or new and used batteries are not to be mixed. After having closed the compartment you can check all functions of the remote control with the help of the power-switch on the front. With the power switch turned ON and functioning correctly, the top centre LED on the remote control will light up red. If the LED control flashes slowly and an acoustic signal is heard, the batteries in the controller must be changed.

Frequency bind between model and remote control

- 4** The Carrera RC Quadcopter and the controller automatically link up renewed with every operational start-up. If initially there are any problems with communication between the Carrera RC Quadcopter and the remote control, please carry out a new frequency bind.

- Switch on the controller at the power switch.
- Connect the battery in the model.
- The LEDs on the quadcopter now flash rhythmically.
- Push the left-hand joystick, i.e., the throttle control, completely upwards and then completely downwards.
- The binding has now been successfully established.
- The LED on the controller now lights continuously.
- After approx. 5½ minutes, the controller switches off. Please repeat the link procedure for renewed use.
- **WARNING! Immediately after switching it on, place the Quadcopter on a flat and level surface. The gyro-system will then set itself automatically.**

Description of the Quadcopter

- 5**
1. Rotor system
 2. Rotor protection cage (removable **24**)
 3. LEDs
- 6**
4. Battery cable
 5. Quadcopter connecting plug
 6. Battery compartment

Range of functions of the remote control

- 7**
1. Aerial
 2. Power (ON / OFF)
 3. Control LED
 4. Gas Circling
 5. Forwards / backwards right / left banking

6. Trimmer for right / left banking
 7. Trimmer for forwards / backwards
 8. Trimmer for rotation
 9. 'Start/Stop rotor' button
 10. 'Auto-landing' button
 11. 'Auto-start & fly to 1 m' button
 12. Beginner/Advanced switch (30%/60%/100%)
 13. Signal strength
 14. Display for controller battery condition
 15. Minutes
 16. Seconds
 17. Button to set minutes
 18. Button to set seconds
 19. START RACE button – countdown & auto-start & fly to 1 m
 - 3** 20. Battery compartment
- Check the contents of the package.
 - Set up the pylons / obstacles supplied. You can either weight the base or anchor it to the ground with commercially-available pegs.
 - Connect the charging unit to the source of power.
 - Charge the lipo-battery as described in the section "Recharging the LiPo rechargeable battery".
 - Fit 2 AA batteries in the controller, making sure their polarity is correct.
 - Look for a suitable environment for flying.
 - **Read and comply with the legal and safety regulations governing the use of your Quadrocopters.**
 - Slide the battery into the battery bay on the bottom of the Quadrocopter. **25**
 - Connect the battery in the model.
 - **WARNING! Immediately after switching it on, place the Quadrocopter on a flat and level surface. The gyro-system will then set itself automatically.**
 - The LEDs on the quadrocopter flash.
 - Switch on the controller at the ON/OFF switch. **Be sure to check the Beginner-Advanced switch (18).** Push the left-hand joystick, i.e., the throttle control, completely upwards and then completely downwards.
 - Allow the Quadrocopter a few moments until the system is correctly initialised and is ready for operation. The LED in the Quadrocopter now lights continuously. The LED on the controller now lights continuously.
 - Repeat the above points as required, if you wish to fly more Quadrocopters at the same time.
 - **Important note! Please perform the auto-trimming 17 before each flight without fail!**
 - **Press the 'Start rotors' button.**
 - Check the control system.
 - Make yourself familiar with the control system.
 - **Trim the Quadrocopter as necessary as described under 17 18 19 20, so that when hovering it no longer moves from the spot without a command from the controller.**

Choosing the flight area

- 8** When being prepared for the first flight you should choose a closed room which is as large as possible without any persons or obstacles. Due to its size and controllability, experienced pilots may be able to fly the Quadrocopter in relatively small rooms. For your first flights we strongly recommend you choose a room with a minimum floor space of 5 x 5 metres and 2.40 metres in height. After having trimmed your Quadrocopter for flight and made yourself familiar with the controller and its functions you may start flying in smaller and less open environments.

To be used in domestic area (house and garden) only. There must be no persons or objects such as pillars between the controller and the Quadrocopter to obstruct direct connection.

Checklist for flight preparation

This checklist is not a substitute for the contents of the operating instructions. Although it can be used as a quick-start-guide, we strongly recommend you first to read the operating instructions in detail before you proceed.

- The Quadcopter is now ready to be flown.
- If the Quadcopter displays no functions, retry the above binding procedure.
- Fly the model.
- Land the model.
- **Disconnect the battery plug connection.**
- Always switch off the remote control last.

Flying the 4-channel Quadcopter

NOTE!

Take care particularly in the first few flights to move the lever on the controller very gently and not over-hurriedly. As a rule, only very small movements of the respective levers are necessary to carry out the desired control commands!

If you notice that the Quadcopter moves forwards or to the side without your touching the respective lever, please adjust the trim of the Quadcopter as described in **17 18 19 20**.

9 +/- Gas (up / down)

To start or to fly higher, push the gas lever on the left cautiously forwards. To land or fly lower, push the gas lever on the left cautiously backwards.

10 To make the Quadcopter circle to the left or the right on the spot, move the lever on the left cautiously to the left or the right.

11 To fly the Quadcopter to the left or the right, push the lever on the right cautiously to the left or the right.

12 To fly the Quadcopter forwards or backwards, push the lever on the right cautiously forwards or backwards.

Start the rotors and motors

13 a Press the 'Start/Stop rotors' button on the controller, in order to start the motors. You can lift the throttle control upwards as soon as the rotors are running.

Using the stopwatch

13 b Select the time for the countdown to the auto-start by pressing the "MIN" or "SEC" button. Press on the "ST" button to start the countdown. Press briefly on "ST" to pause. Keep pressed for longer (5 seconds) to reset the time."

As soon as the countdown reaches 0:00, the Quadcopter starts its rotors and flies to 1 m height. The time now runs automatically.

Stop the stopwatch by pressing the "ST" button. Keep pressed for longer (5 seconds) to reset the time.

Beginner/Advanced switch

13 c 30% = beginner mode

Signal sounds once on switching over.

60% = medium mode

The quadcopter reacts more sensitively than in 30 % mode. Signal sounds twice on switching over.

100% = Advanced Modus -> 3D Modus

The Quadcopter reacts very sensitively to joystick movements. Signal sounds three times on switching over.

WARNING!

100 % IS ONLY FOR EXPERIENCED PILOTS!

Automatic control of altitude

14 The Quadcopter will maintain the current flying altitude automatically as soon as you release the left-hand joystick during the flight.

Auto Landing

15 You can trigger the automatic landing function at any time by means of pressing the 'Auto landing' button. The speed of the rotors will reduce gradually as a result. You are able to influence the landing position at any time during the landing procedure by means of moving the right-hand joystick. The motor will switch itself off as soon as the Quadcopter is on the ground.

Auto-Start & Fly to 1 m

16 Press the 'Auto-start & fly to 1 m' button on the controller, in order to start the motors and automatically fly up to the altitude of about 1 m. You are able to influence the direction of flight at any time during the starting operation by means of moving the right joystick. The Quadrocopter will maintain itself in position automatically as soon as the altitude of about 1 m has been reached.

Trimming the Quadrocopter

17 Auto-trimming

1. Place the Quadrocopter on a horizontal surface.

2. Link the Quadrocopter with the controller as described in "Linking the model with the controller".

3. Slide the gas lever and the lever for forward / back simultaneously into the right lower corner. The LED on the Quadrocopter flashes on briefly and then lights up continuously. The signaling tone will sound once.

4. The neutral setting is completed.

18 When hovering, if the Quadrocopter flies to the left or right without you moving the lever for left / right movement, please proceed as follows: If the Quadrocopter moves on its own fast or slow sideways to the left, press the lower right trimmer for right / left tilt in steps to the right. If the Quadrocopter moves right, press the trimmer for right / left tilt in steps to the left.

19 When hovering, if the Quadrocopter flies forwards or backwards without you moving the lever for forwards or backwards movement, please proceed as follows: If the Quadrocopter moves on its own fast or slow forwards, press the upper right trimmer for forwards / backwards in steps downwards. If the Quadrocopter moves backwards, press the trimmer for forwards / backwards in steps upwards.

20 When hovering and without you moving the lever for circling on the spot, if the quadrocopter rotates to left or right, proceed as follows: If the quadrocopter rotates quickly or slowly to the left around its own axis, press the trimmer for rotation below left in steps to the right. If the quadrocopter rotates to the right, press the trimmer for rotation in steps to the left.

Changing the rotor blades

21 Use a screddriver for unscrewing a rotor blade. Make sure that you draw the rotor blade with great care vertically upwards, and hold the motor from below to stabilise it. Screw the rotor blade firmly back on to the quadrocopter.

22 **QR code for motor-change system, spare parts and further information.**

23 WARNING!

Be sure to note the marking and colour, also the tilt angle of the rotor blades!

Front left: red – marking "A"

Front right: red – marking "B"

Rear right: black – marking "B"

Rear left: black – marking "A"

Rotor protection cage

24 The Rotor protection cage is removable. Do this by removing one screw underneath each rotor blade.

TIP: only remove the Rotor protection cage once you have made 10-20 flights and feel safe enough not to need it!

Troubleshooting

Problem: Remote control does not work.

Cause: The ON/OFF-power switch is turned "OFF".

Solution: Turn the ON/OFF-power switch "ON".

Cause: The batteries have been wrongly inserted.

Solution: Check if the batteries have been correctly inserted.

Cause: The batteries do not have enough power.

Solution: Insert new batteries.

Problem: The Quadcopter cannot be controlled with the remote control

Cause: The power switch on the remote control is turned "OFF".

Solution: First turn the power switch on the remote control "ON".

Cause: The remote control is possibly not correctly frequency bound with the receiver on the Quadcopter.

Solution: Please carry out the binding procedure as described in "Checklist for flight preparation".

Problem: The Quadcopter does not start.

Cause: The 'Start rotors' button has not been pressed on the controller.

Solution: Press the 'Start rotors' button on the controller.

Problem: The Quadcopter does not lift.

Cause: The rotor blades rotate too slowly.

Solution: Slide the gas lever up.

Cause: The battery's power is not sufficient.

Solution: Charge the battery (see chapter "Charging the battery").

Problem: During flight, the Quadcopter loses speed and height without any obvious reason.

Cause: The battery is too weak.

Solution: Charge the battery (see chapter "Charging the battery").

Problem: The quadcopter only flies in a circle or turns over on starting.

Cause: Rotor blades incorrectly fitted or damaged.

Solution: Fit rotor blades / replace rotor blades as described in **21 22 23**.

Errors and changes excepted

Colours / final design – changes excepted

Technical changes and design-related changes excepted

Pictograms = symbolic photos

GR

Αξιότιμη πελάτη

Συγχαρητήρια για την αγορά του μοντέλου Quadcopter της Carrera RC, κατασκευασμένο σύμφωνα με τα σημερινά πρότυπα της τεχνολογίας. Επειδή προσπαθούμε πάντοτε να βελτιώνουμε την εξέλιξη και ανάπτυξη των προϊόντων μας, επιφυλασσομάσαμε για τυχόν τεχνικές αλλαγές στον εξοπλισμό, στα υλικά και στο σχέδιο του Quadcopter οποιαδήποτε στιγμή και χωρίς καμία προειδοποίηση. Μικρές αποκλίσεις του αγορασθέντος προϊόντος από τα στοιχεία και τις φωτογραφίες αυτών των οδηγιών σε καμία περίπτωση δεν μπορούν να θεμελιώσουν αξιώσεις οποιασδήποτε μορφής. Αυτές οι οδηγίες χρήσης και συναρμολόγησης αποτελούν αναπόσπαστο συμπλήρωμα του προϊόντος. Η εγγύηση παύει να ισχύει αν δεν τηρηθούν οι οδηγίες χρήσης και οι οδηγίες ασφαλείας που περιέχονται σε αυτές. Φυλάξτε αυτές τις οδηγίες για να μπορείτε να τις διαβάσετε αργότερα και να τις παραδώσετε μαζί με το μοντέλο σε τρίτους.

Την τελευταία και πιο ενημερωμένη έκδοση αυτών των οδηγιών χρήσης, όπως και πληροφορίες για ανταλλακτικά θα βρείτε στο **carrera-rc.com** στον τομέα Service.

ΠΡΟΕΙΔΟΠΟΙΗΣΗ!

Βεβαιωθείτε πριν από την πρώτη πτήση εάν στη χώρα σας το μοντέλο που αγοράσατε υπόκειται σε υποχρέωση ασφάλισης.

Όροι εγγύησης

Τα προϊόντα Carrera είναι προϊόντα υψηλής ποιότητας και τεχνολογίας (ΟΧΙ ΑΠΛΑ ΠΑΙΧΝΙΔΙΑ), τα οποία πρέπει να αντιμετωπίζονται με ιδιαίτερη φροντίδα. Προσέχετε απαραίτητα τις υποδείξεις στις οδηγίες χρήσης. Όλα τα τεμάχια ελέγχονται διεξοδικά (με την επιφύλαξη για τεχνικές αλλαγές και τροποποιήσεις στα μοντέλα, οι οποίες αποσκοπούν στη βελτίωση των προϊόντων).

Εάν παρ' όλα αυτά εμφανιστεί κάποια βλάβη, αυτή καλύπτεται στα πλαίσια των όρων της εγγύησης:

H Stadlbauer Marketing + Vertrieb GmbH (στο εξής αποκαλούμενη „Κατασκευαστής“) εγγυάται στον τελικό πελάτη (στο εξής αποκαλούμενος „Πελάτης“) σύμφωνα με τους ακόλουθους όρους, ότι το μοντέλο Quadcopter Carrera RC (στο εξής αποκαλούμενο „Προϊόν“) που παραδόθηκε στον πελάτη, δεν θα παρουσιάσει εντός χρονικού διαστήματος δύο ετών από την ημερομηνία αγοράς του (χρόνος εγγύησης) βλάβη που να προέρχεται από σφάλμα ή κακή επεξεργασία υλικού. Ο κατασκευαστής μπορεί βλάβες και σφάλματα να τα αποκαταστήσει με δικά του έξοδα και κατά την κρίση του με επισκευή του προϊόντος ή με την παράδοση νέων ή πλήρως συντηρημένων τεμαχίων. Η εγγύηση δεν καλύπτει φθαγμένα εξαρτήματα (όπως π.χ. την επαναφορτιζόμενη μπαταρία, πτερύγια έλικα, κάλυμμα καμπίνας, γρανάτζι), βλάβες που οφείλονται σε κακή μεταχείριση/χρήση του προϊόντος ή επεμβάσεις τρίτων. Άλλες αξιώσεις του πελάτη, ιδιαίτερα ως προς την καταβολή αποζημίωσης, έναντι του κατασκευαστή ρητώς αποκλείονται. Η εγγύηση δεν επηρεάζει τα δικαιώματα που απέκτησε ο πελάτης από τη σύμβαση ή το νόμο (μεταγενέστερη εκπλήρωση, ακύρωση της σύμβασης, μείωση τιμήματος, αποζημίωση) έναντι του εκάστοτε πωλητή, τα οποία ισχύουν, όταν το προϊόν στη μετάβαση του κινδύνου δεν βρισκόταν σε άωογη κατάσταση.

Αξιώσεις από αυτήν την εγγύηση υφίστανται μόνον όταν

- το σφάλμα δεν αφορά βλάβες, που προκλήθηκαν από μία κατά τις παραδοχές στις οδηγίες χρήσης, κακή ή μη σύμφωνη με αυτές χρήση,
- το σφάλμα δεν οφείλεται σε λειτουργικές φθορές,
- στο προϊόν δεν διακρίνονται εξωτερικές επεμβάσεις ή επισκευές από συνεργεία που δεν είναι εξουσιοδοτημένα από τον κατασκευαστή,
- στο προϊόν χρησιμοποιήθηκε μόνο ο εξοπλισμός που έχει εγκριθεί από την κατασκευαστή.

Δεν είναι δυνατή η αντικατάσταση των καρτών εγγύησης.

Υπόδειξη για κράτη της ΕΕ: Υποδεικνύεται στον πελάτη ότι ο πωλητής έχει την υποχρέωση παροχής εγγύησης από το νόμο, η οποία δεν περιορίζεται με κανένα τρόπο από την ως προς το αντικείμενο εγγύηση. Τα έξοδα της αποστολής και τα τέλη επιστροφής του προϊόντος αναλαμβάνονται κατασκευαστής. Αυτή η εγγύηση ισχύει όπως αναφέρεται στα προηγούμενα και υπό τις ως άνω προϋποθέσεις (στις οποίες συμπεριλαμβάνεται και η επίδειξη της γνήσιας απόδειξης αγοράς ακόμη και στην περίπτωση μίας κατοπινης πώλησης) και για κάθε μελλοντικό ιδιοκτητή του προϊόντος.

Δήλωση συμμόρφωσης

H Stadlbauer Marketing + Vertrieb GmbH δηλώνει δια της παρούσης ότι το μοντέλο αυτό συμπεριλαμβανομένου του χειριστηρίου (Controller) συμφώνει με τις βασικές απαιτήσεις των ακόλουθων οδηγιών της ΕΚ: Στο πνεύμα των Οδηγιών της ΕΕ 2009/48 και 2004/108/ΕΕ για την ηλεκτρομαγνητική συμβατότητα και των άλλων σχετικών διατάξεων της Οδηγίας 2014/53/ΕΥ (RED). Το πρωτότυπο της δήλωσης συμμόρφωσης μπορείτε να το ζητήσετε από την carrera-rc.com.



Μέγιστη ισχύς ραδιοσυχνοτήτων <10dBm
Περιοχή συχνότητας: 2400 – 2483,5 MHz

Προειδοποιήσεις!

Φυλάξτε αυτές τις οδηγίες χρήσης για να μπορείτε να ανατρέχετε σε αυτές όποτε χρειαστεί. Υπόδειξη για ενήλικες: Ελέγξτε εάν το παιχνίδι έχει συναρμολογηθεί σύμφωνα με τις οδηγίες. Η συναρμολόγηση πρέπει να πραγματοποιείται υπό την επίβλεψη ενός ενήλικα.

Ένα τηλεκατευθυνόμενο Quadrocopter ΔΕΝ ΕΙΝΑΙ ΠΑΙΧΝΙΔΙ και είναι κατάλληλο μόνο για άτομα άνω των 14 ετών!

Το προϊόν αυτό δεν προορίζεται για χρήση από παιδιά χωρίς την επίβλεψη των κηδεμόνων τους. Για τον έλεγχο του ελικοπτέρου απαιτείται κάποια εξάσκηση. **Πριν την πρώτη χρήση: Διαβάστε τις παρούσες οδηγίες μαζί με το παιδί σας.** Σε περίπτωση εσφαλμένου χειρισμού μπορεί να προκληθούν σοβαροί τραυματισμοί και/ή υλικές ζημιές. Πρέπει να ελέγχεται προσεκτικά και απαιτεί ιδιαίτερες μηχανικές και πνευματικές ικανότητες. Οι οδηγίες περιέχουν υποδείξεις ασφαλείας και προδιαγραφές, καθώς επίσης υποδείξεις για τη συντήρηση και λειτουργία του προϊόντος. Οι οδηγίες αυτές πρέπει, πριν από την έναρξη λειτουργίας του προϊόντος, να διαβαστούν και να κατανοηθούν καλά. Μόνον έτσι μπορούν να αποφευχθούν τραυματισμοί και υλικές ζημιές. Βεβαιωθείτε ότι δεν μπορούν να εμπλακούν

στον έλικα (ρότορα), ούτε να έλθουν σε επαφή με αυτόν χέρια, μαλλιά και ρούχα ή άλλα αντικείμενα όπως μολύβια και κατσαβίδια. Μην ακουμπάτε τον περιστρεφόμενο ρότορα. Προσέχετε ιδιαίτερα τα χέρια σας να ΜΗΝ πλησιάσουν τα πτερύγια του έλικα!

ΠΡΟΕΙΔΟΠΟΙΗΣΗ: Μην αφήνετε το Quadrocopter να πετάει κοντά στο πρόσωπό σας για να αποφύγετε τους τραυματισμούς. Χρήση μόνο σε εξωτερικούς χώρους – και όχι σε εσωτερικούς. Κίνδυνος τραυματισμών των ματιών. Η απογείωση και η πτήση πρέπει να γίνεται μόνο σε κατάλληλο έδαφος (ελεύθερη περιοχή, χωρίς εμπόδια) και μόνο με άμεση οπτική επαφή.

Σαν χρήστης αυτού του προϊόντος θεωρείστε αποκλειστικά υπεύθυνος για τον ασφαλή χειρισμό του. Τηρείτε επομένως πιστά τις οδηγίες, έτσι ώστε να μην διακινδυνεύσετε ούτε εσείς, ούτε και τα άλλα πρόσωπα που πιθανόν να βρίσκονται κοντά σας.

- Μην χρησιμοποιείτε το μοντέλο σας με ασθενείς μπαταρίες χειριστηρίου (Controller).
- Αποφεύγετε πολυσύχναστα μέρη με πολλή κυκλοφορία. Προσέχετε να υπάρχει γύρω σας αρκετός χώρος για την πτήση.
- Μην αφήνετε το μοντέλο σας να πετάει σε ανοικτούς δρόμους ή δημόσιους χώρους για να μην τραυματίσετε άλλα άτομα.
- **ΠΡΟΕΙΔΟΠΟΙΗΣΗ: Πριν από την εκκίνηση του ελικοπτέρου δεν πρέπει να βρίσκονται άτομα, ζώα ή άλλα εμπόδια στην περιοχή πτήσης του ελικοπτέρου.**
- Η εκκίνηση και πτήση κοντά σε καλώδια υψηλής τάσης, σιδηροδρομικές γραμμές, δρόμους, πισίνες ή θάλασσα απαγορεύεται αυστηρώς.
- Η χρήση του επιτρέπεται μόνο όταν επικρατούν καλή ορατότητα και καλές καιρικές συνθήκες.
- Ακολουθείτε ακριβώς τις οδηγίες και προειδοποιητικές υποδείξεις για αυτό το προϊόν και τον πρόσθετο εξοπλισμό του (φορτιστής, επαναφορτιζόμενη μπαταρία κ.λπ.), που χρησιμοποιείτε.
- **Σε περίπτωση που το Quadrocopter έλθει σε επαφή με ανθρώπους, ζώα ή σκληρά αντικείμενα, θέστε αμέσως τον μοχλό γκαζιού στη μηδενική θέση, αυτό σημαίνει ότι το αριστερό Joystick πρέπει να μετακινή-**

Θεί στο κάτω τέρμα!

- Αποφεύγετε την υγρασία, επειδή μπορεί να προκαλέσει ζημιά στο ηλεκτρονικό σύστημα.
- Υπάρχει κίνδυνος βαριών τραυματισμών ή ακόμα και θανάτου εάν βάζετε στο στόμα σας ή γλείφετε τεμάχια από το μοντέλο σας.
- Μην εκτελείτε στο Quadrocopter καμία εργασία ή αλλαγή.

Σε περίπτωση που δεν συμφωνείτε με αυτούς τους όρους επιστρέψτε άμεσα το πλήρες μοντέλο του Quadrocopter, αχρησιμοποίητο, στο εμπορικό κατάστημα όπου το αγοράσατε.

Σημαντικές πληροφορίες για τις επαναφορτιζόμενες μπαταρίες λιθίου-πολυμερούς

Οι επαναφορτιζόμενες μπαταρίες λιθίου-πολυμερούς (LiPo) είναι σημαντικά πιο ευαίσθητες από τις συνηθισμένες επαναφορτιζόμενες αλκαλικές ή NiMH μπαταρίες, που χρησιμοποιούνται στους τηλεχειρισμούς. Γι αυτόν τον λόγο πρέπει να ακολουθούνται πιστά οι προδιαγραφές και οι προειδοποιητικές υποδείξεις. Σε περίπτωση εσφαλμένου χειρισμού των επαναφορτιζόμενων μπαταριών LiPo υπάρχει κίνδυνος πυρκαγιάς. Προσέχετε πάντοτε τις οδηγίες του κατασκευαστή κατά την απόρριψη των επαναφορτιζόμενων μπαταριών LiPo.

Διατάξεις απόρριψης και διαχείρισης ηλεκτρικών και ηλεκτρονικών παλαιών συσκευών σύμφωνα με τη WEEE



Το σύμβολο που απεικονίζεται εδώ με τον διαγραφέντα κάδο απορριμμάτων υποδεικνύει ότι άδειες μπαταρίες, επαναφορτιζόμενες μπαταρίες, επίπεδες μπαταρίες, συσσωρευτές, μπαταρίες συσκευών, ηλεκτρικές παλαιές συσκευές δεν ανήκουν στον κάδο οικιακών απορριμμάτων, διότι βλάπτουν το περιβάλλον και την υγεία. Βοηθείστε και εσείς ώστε να μην βλάψουμε το περιβάλλον και την υγεία μας και μιλήστε επίσης με τα παιδιά σας για τον τρόπο που πρέπει να απορρίπτουμε τις μεταχειρισμένες μπαταρίες και τις ηλεκτρικές παλαιές συσκευές. Οι μπαταρίες και οι ηλεκτρικές παλαιές συσκευές πρέπει να παραδίδονται στα γνωστά σημεία αποκομιδής. Με τον τρόπο αυτό συμμετέχουν

στη διαδικασία μίας ορθής ανακύκλωσης. Δεν επιτρέπεται να χρησιμοποιούνται μαζί μπαταρίες διαφορετικών τύπων ή καινούργιες και μεταχειρισμένες μπαταρίες. Αφαιρείτε τις άδειες μπαταρίες από το παιχνίδι. Οι μη επαναφορτιζόμενες μπαταρίες δεν πρέπει να φορτίζονται.

ΠΡΟΕΙΔΟΠΟΙΗΣΗ!

Ο φορτιστής ή το USB καλώδιο φόρτισης μπορεί να χρησιμοποιείται από παιδιά ηλικίας οκτώ (8) ετών και άνω, καθώς και από άτομα με μειωμένες φυσικές, αισθητήριες ή πνευματικές ικανότητες ή έλλειψη πείρας και/ή γνώσεων, όταν επιβλέπονται ή έχουν εκπαιδευτεί σε σχέση με την ασφαλή χρήση της συσκευής και κατανοούν τους κινδύνους που απορρέουν από αυτήν. Μην αφήνετε παιδιά να παίζουν με τον φορτιστή ή το USB καλώδιο φόρτισης. Ο καθαρισμός και η συντήρηση από τον χρήστη δεν πρέπει να εκτελούνται από παιδιά, εκτός αν έχουν ηλικία άνω των 8 ετών και επιτηρούνται. Παιδιά κάτω των 8 ετών πρέπει να κρατούνται μακριά από τον φορτιστή και το καλώδιο σύνδεσης.

Κατά τη φόρτιση μην αφήνετε την μπαταρία χωρίς επιτήρηση. Αφαιρείτε τις επαναφορτιζόμενες μπαταρίες από το παιχνίδι πριν από τη φόρτιση. Απαγορεύεται η βραχυκύκλωση των ακροδεκτών σύνδεσης. Πρέπει να χρησιμοποιούνται αποκλειστικά οι συνιστώμενες μπαταρίες ή μπαταρίες αντίστοιχου τύπου. Όταν ο φορτιστής χρησιμοποιείται τακτικά πρέπει να ελέγχονται το καλώδιο, η σύνδεση, τα καλύμματα και τα υπόλοιπα εξαρτήματά του. Σε περίπτωση βλάβης θα πρέπει ο φορτιστής να τεθεί πάλι σε λειτουργία μόνον αφού πρώτα επισκευαστεί.

Το παιχνίδι επιτρέπεται να συνδέεται μόνο σε συσκευές της Κατηγορίας προστασίας II. ☐

Οδηγίες και προειδοποιητικές υποδείξεις για τη χρήση της LiPo επαναφορτιζόμενης μπαταρίας

- Η επαναφορτιζόμενη μπαταρία 3,7 V = 1000 mAh / 3,7 Wh μπορεί να φορτιστεί σε ένα ασφαλές μέρος μακριά από εύφλεκτα υλικά.
- Κατά τη φόρτιση μην αφήνετε την μπαταρία χωρίς επιτήρηση.
- Προτού ξεκινήσετε με τη φόρτιση, μετά από μία πτήση, θα πρέπει πρώτα η επαναφορτι-

ζόμενη μπαταρία να κρυώσει και να φθάσει τη θερμοκρασία του περιβάλλοντος.

- Επιτρέπεται να χρησιμοποιείτε μόνο τον παραδιδόμενο με το Quadcopter φορτιστή Lipo (USB καλώδιο/ Controller). Εάν δεν τηρήσετε αυτές τις υποδείξεις μπορεί να προκληθεί πυρκαγιά με όλα τα επικίνδυνα επακόλουθα. ΠΟΤΕ μην χρησιμοποιείτε άλλο φορτιστή.
- Σε περίπτωση που η επαναφορτιζόμενη μπαταρία αρχίζει να φουσκώνει ή να παραμορφώνεται διακόψτε αμέσως τη φόρτιση ή την εκφόρτιση. Αφαιρέστε αμέσως την επαναφορτιζόμενη μπαταρία από τον φορτιστή, τοποθετήστε την σε ένα ασφαλές, ανοικτό χώρο μακριά από εύφλεκτα υλικά και παρατηρήστε την για τουλάχιστον 15 λεπτά. Εάν συνεχίσετε να φορτίζετε ή να εκφορτίζετε μία επαναφορτιζόμενη μπαταρία που ήδη έχει φουσκώσει ή παραμορφωθεί μπορεί να προκληθεί πυρκαγιά! Ακόμα και αν η παραμόρφωση ή το φούσκωμα είναι πολύ μικρό πρέπει να διακόψτε τη λειτουργία της επαναφορτιζόμενης μπαταρίας.
- Αποθηκεύετε την επαναφορτιζόμενη μπαταρία σε θερμοκρασία δωματίου σε ένα δωμάτιο χωρίς υγρασία.
- **Φορτίστε πάλι την μπαταρία απαραίτητως μετά τη χρήση για να αποφύγετε τη λεγόμενη βαθιά εκφόρτιση της επαναφορτιζόμενης μπαταρίας. Προσέξτε να μεσολαβεί μεταξύ πτήσης και φόρτισης ένα διάλειμμα περ. 20 λεπτών. Φορτίζετε την επαναφορτιζόμενη μπαταρία ανά τακτά χρονικά διαστήματα (περ. κάθε 2-3 μήνες). Εάν δεν τηρηθεί αυτή η οδηγία, είναι δυνατό να προκληθούν βλάβες στην επαναφορτιζόμενη μπαταρία.**
- Για τη μεταφορά ή προσωρινή αποθήκευση της επαναφορτιζόμενης μπαταρίας η θερμοκρασία πρέπει να είναι περίπου 5-50°C. Αποθηκεύετε την επαναφορτιζόμενη μπαταρία ή το μοντέλο, αν είναι δυνατό, όχι στο αυτοκίνητο και όχι σε σημείο εκτεθειμένο άμεσα στην ηλιακή ακτινοβολία. Εάν η επαναφορτιζόμενη μπαταρία εκτεθεί μέσα στο αυτοκίνητο σε υψηλή θερμοότητα, μπορεί να πάθει ζημιά και να πιάσει φωτιά.

Υπόδειξη: Όταν η τάση/ισχύς της μπαταρίας είναι χαμηλή θα διαπιστώσετε ότι απαιτούνται ιδιαίτερες κινήσεις ελέγχου και αντιστάθμισης κατά την πτήση και έντονη προσπάθεια για να μην περιέλθει το Quadcopter σε δίνη. Αυτό κατά κανόνα παρουσιάζεται προτού πέσει η τάση της επαναφορτιζόμενης μπαταρίας στα 3 V και αποτελεί ένδειξη ότι πρέπει να διακόψετε την πτήση.

Οδηγίες χειρισμού

Παραδοτέος εξοπλισμός

- 1**
- 1x Quadcopter
 - 1x Controller (χειριστήριο)
 - 4x Κόνοι πιασας
 - 1x Καλώδιο φόρτισης USB
 - 1x Επαναφορτιζόμενη μπαταρία
 - 2x Εφεδρικός κινητήρας (δεξιά / αριστερά)
 - 1x Κατσαβίδι
 - 2x 1,5 V Mignon AA μπαταρίες (μη επαναφορτιζόμενες)

Φόρτιση της μπαταρίας LiPo

Προσέχετε να φορτίζετε την μπαταρία LiPo μόνο με τον φορτιστή LiPo (USB καλώδιο) που συνοδεύει την επαναφορτιζόμενη μπαταρία. Εάν προσπαθήσετε να φορτίσετε την επαναφορτιζόμενη μπαταρία με έναν άλλο φορτιστή LiPo ή έναν οποιοδήποτε άλλο φορτιστή, μπορεί να προκληθούν σοβαρές ζημιές. Παρακαλούμε διαβάστε προσεκτικά το κεφάλαιο με τις προειδοποιητικές υποδείξεις και οδηγίες χρήσης της επαναφορτιζόμενης μπαταρίας προτού τη χρησιμοποιήσετε. Οι επαναφορτιζόμενες μπαταρίες επιτρέπεται να φορτίζονται μόνο από ενήλικες. Μην βραχυκυκλώνετε φορτιστές και τροφοδοτικά. Μπορείτε να φορτίσετε την μπαταρία του Quadcopter με το παραδιδόμενο USB καλώδιο φόρτισης σε μία θύρα USB:

2a Φόρτιση στο Computer:

- **Αφαιρέστε την επαναφορτιζόμενη μπαταρία από το μοντέλο πριν τη φορτίσετε.**
- Συνδέστε το καλώδιο φόρτισης USB σε μια θύρα USB ενός Computer. Η λυχνία LED στο USB-καλώδιο φόρτισης ανάβει πράσινη και δείχνει ότι ο φορτιστής είναι σωστά συνδεδεμένος με τον υπολογιστή. Μόλις συνδέστε ένα Quadcopter με άδεια μπαταρία η

LED στο USB-καλώδιο φόρτισης δεν ανάβει πλέον και δείχνει ότι η επαναφορτιζόμενη μπαταρία του Quadcopter φορτίζεται. Το USB καλώδιο φόρτισης ή η υποδοχή φόρτισης στο Quadcopter είναι κατασκευασμένα κατά τέτοιο τρόπο, ώστε να αποκλείεται λανθασμένη πολικότητα.

- Η επαναφόρτιση μίας μέτρια εκφορτισμένης μπαταρίας διαρκεί περίπου 120 λεπτά. Όταν φορτίσει η μπαταρία, η ένδειξη LED στο USB-καλώδιο φόρτισης ανάβει πάλι πράσινη.

Υπόδειξη: Κατά την παράδοση η επαναφορτιζόμενη μπαταρία LiPo είναι μέτρια φορτισμένη. Για τον λόγο αυτό η πρώτη φόρτιση διαρκεί συνήθως λιγότερο.

Τηρείτε απαραίτητα τη σειρά συνδέσεων που περιγράφεται πιο πάνω! Λύστε την κουμπωτή σύνδεση, που βρίσκεται στο Quadcopter, όταν δεν τηρηθεί αυτή η οδηγία μπορεί να προκληθεί καταστροφή της επαναφορτιζόμενης μπαταρίας.

2b) Τοποθέτηση της επαναφορτιζόμενης μπαταρίας στο Quadcopter

- Απομακρύνετε τα 2 κλιπ στην επάνω πλευρά του Quadcopter και αφαιρέστε το καπάκι της θήκης της επαναφορτιζόμενης μπαταρίας. Ανοίξτε με το συνοδευτικό κατσαβίδι το καπάκι της θήκης της επαναφορτιζόμενης μπαταρίας. Τοποθετήστε την επαναφορτιζόμενη μπαταρία. Κλείστε τη θήκη της επαναφορτιζόμενης μπαταρίας.
- Εάν η LED στο Quadcopter αναβοσβήνει με αργό ρυθμό, πρέπει να αλλάξετε την επαναφορτιζόμενη μπαταρία.

Τοποθέτηση των μπαταριών στο χειριστήριο Controller

- 3** Ανοίξτε τη θήκη των μπαταριών με ένα κατσαβίδι και τοποθετήστε τις μπαταρίες στο χειριστήριο. Προσέχετε για τη σωστή πολικότητα. Μην τοποθετείτε μαζί παλιές και νέες μπαταρίες ή μπαταρίες διαφορετικών κατασκευαστών. Μόλις κλείσετε τη θήκη μπορείτε να ελέγξετε τη λειτουργία του χειριστηρίου με τη βοήθεια του διακόπτη ενεργοποίησης Power στην μπροστινή πλευρά. Στη θέση ON του διακόπτη Power και με κανονική λειτουργία ανάβει κόκκινη η λυχνία LED επάνω στο μέσον του χειριστηρίου. Εάν η LED λυχνία ελέγχου αναβοσβήνει αργά και ακούγεται ένα ηχητικό σήμα, θα πρέπει να αντικατασταθούν οι μπαταρίες του χειριστηρίου (Controller).

Σύνδεση του μοντέλου με το χειριστήριο

- 4** Το Quadcopter Carrera RC και το Controller επανασυνδέονται αυτομάτως με κάθε νέα έναρξη της λειτουργίας. Εάν προκύψουν στην αρχή προβλήματα επικοινωνίας μεταξύ του Quadcopter Carrera RC και του χειριστηρίου εκτελέστε επανασύνδεση.

- Ενεργοποιήστε το Controller με τον διακόπτη Power.
- Συνδέστε την επαναφορτιζόμενη μπαταρία στο μοντέλο.
- Οι LED στο Quadcopter αναβοσβήνουν τώρα ρυθμικά.
- Μετακινήστε το αριστερό Joystick, δηλ. τον μοχλό γκαζιού, εντελώς προς τα πάνω και πάλι προς τα κάτω.
- Η σύνδεση ολοκληρώθηκε με επιτυχία.
- Η LED στο Controller (χειριστήριο) ανάβει τώρα διαρκώς.
- Μετά από περίπου 5 1/2 λεπτά απενεργοποιείται το Controller. Για νέα χρήση επαναλάβετε τη διαδικασία σύνδεσης.
- **ΠΡΟΕΙΔΟΠΟΙΗΣΗ! Τοποθετήστε το Quadcopter αμέσως μετά την ενεργοποίησή του σε μία επίπεδη οριζόντια επιφάνεια. Με αυτόν τον τρόπο ρυθμίζεται αυτόματα το σύστημα Gyro.**

Περιγραφή του Quadcopter

- 5**
1. Σύστημα ρότορα
 2. Προστατευτική φωλιά ρότορα (αφαιρούμενο **24**)
 3. Λυχνίες LED
- 6**
4. Καλώδιο επαναφορτιζόμενης μπαταρίας
 5. Quadcopter-βύσμα σύνδεσης
 6. Θήκη μπαταρίας

Σύνοψη λειτουργιών του χειριστηρίου

- 7**
1. Κύκλωμα κεραίας
 2. Διακόπτης Power (ON / OFF)
 3. Λυχνία LED ελέγχου
 4. Αέριο
 5. Κυκλική περιστροφή
 6. Μπροστά/Πίσω
 7. Δεξιά/Αριστερή κλίση
 8. Ρυθμιστής για Δεξιά/Αριστερή κλίση
 9. Ρυθμιστής για Μπροστά/Πίσω
 10. Αντιστάθμιση κυκλικής περιστροφής
 11. Κουμπί Start/Stop Rotors
 12. Κουμπί αυτόματης προεγώισης
 13. Κουμπί αυτόματης εκκίνησης και πτήσης στο 1,5m
 14. Διακόπτης για αρχάριους/προχωρημένους (30%/60%/100%)
 15. Ενταση σήματος
 16. Ενδειξη στάθμης μπαταρίας χειριστηρίου
 17. Λεπτά
 18. Δευτερόλεπτα
 19. Κουμπί ρύθμισης λεπτών
 20. Κουμπί ρύθμισης δευτερολέπτων
 21. Αυτόματη εκκίνηση & πτήση σε ένα ύψος περ. 1m
 22. Θήκη μπαταρίας

3

Επιλογή της περιοχής πτήσης

- 8** Εάν είστε έτοιμοι για την πρώτη σας πτήση, επιλέξτε έναν κλειστό χώρο, αρκετά μεγάλο, χωρίς άλλα άτομα και χωρίς εμπόδια. Χάρη στο μικρό του μέγεθος και τον εύκολο χειρισμό του δεν είναι ιδιαίτερα δύσκολο για έναν έμπειρο πιλότο να πετάξει με το Quadcopter ακόμα και σε μικρούς σχετικά κλειστούς χώρους. Για τις πρώτες σας πτήσεις συνιστούμε απαραίτητα ένα ελάχιστο μέγεθος δωματίου εμβαδού 5 επί 5 μέτρα και ύψους 2,40 μέτρα. Αφού δοκιμάσετε όλες τις δυνατότητες ελέγχου του Quadcopter σε αυτόν τον χώρο μπορείτε να επιχειρήσετε πτήσεις και σε μικρότερους, λιγότερο ελεύθερους χώρους.

Μόνο για οικιακή χρήση (Οικία και κήπος). Ανάμεσα στο Controller και το Quadcopter δεν πρέπει να παρεμβάλλονται κολόνες ή άλλα άτομα.

Λίστα ελέγχου για την προετοιμασία πτήσης

Η λίστα ελέγχου που ακολουθεί δεν υποκαθιστά τις οδηγίες χρήσης. Αν και μπορεί να χρησιμοποιηθεί σαν Quick-Start-Guide σας συνιστούμε κατοργάς να διαβάσετε προσεκτικά αυτές τις οδηγίες λειτουργίας προτού συνεχίσετε.

- Ελέγξτε το περιεχόμενο της συσκευασίας.
- Τοποθετήστε τους κώνους πίτας/τα εμπόδια που συνοδεύουν τη συσκευασία. Η βάση μπορεί ενδεχομένως να σταθεροποιηθεί με πρόθετο βάρος ή να αγκυρωθεί στο έδαφος με κοινά πασαλίκια του εμπορίου.
- Φορτίστε την μπαταρία LiPo όπως περιγράφεται στο κεφάλαιο „Φόρτιση της μπαταρίας LiPo“.
- Τοποθετήστε 2 AA μπαταρίες στο χειριστήριο και προσέξτε τη σωστή πολικότητα.
- Επιλέξτε έναν κατάλληλο χώρο για την πτήση.
- Τοποθετήστε την επαναφορτιζόμενη μπαταρία, όπως περιγράφεται στο 25, στη θήκη της μπαταρίας στην κάτω πλευρά του Quadcopter.
- Συνδέστε την επαναφορτιζόμενη μπαταρία στο μοντέλο.
- **ΠΡΟΕΙΔΟΠΟΙΗΣΗ! Τοποθετήστε το Quadcopter αμέσως μετά την ενεργοποίησή του σε μία επίπεδη οριζόντια επιφάνεια. Με αυτόν τον τρόπο ρυθμίζονται αυτόματα το σύστημα Gyro.**
- Οι LED στο Quadcopter αναβοσβήνουν.
- Ενεργοποιήστε το χειριστήριο (Controller) με τον διακόπτη ON/OFF. **Ελέγξτε απαραίτητα τον διακόπτη για αρχάριους-προχωρημένους (13c).** Μετακινήστε το αριστερό Joystick, δηλ. τον μοχλό γκαζιού, εντελώς προς τα πάνω και πάλι προς τα κάτω.
- Περιμένετε λίγο έως ότου το σύστημα του Quadcopter αρχικοποιηθεί σωστά και θεθεί σε λειτουργία. Οι LED στο ελικόπτερο αναβοσβήνουν τώρα συνεχώς. Η LED στο Controller (χειριστήριο) ανάβει τώρα διαρκώς.
- Επαναλάβετε ενδεχομένως τα βήματα αυτά αν θέλετε να πετάξετε παράλληλα και άλλα Quadcopter.
- **Υπόδειξη! Πραγματοποιείτε πριν από κάθε πτήση απαραίτητα την αυτόματη ισοστάθμιση 17.**
- **Πατήστε το „Start-Rotors“ Button.**
- Ελέγξτε το σύστημα ελέγχου.
- Εξοικειωθείτε με το σύστημα ελέγχου.
- Το Quadcopter πρέπει να ρυθμιστεί και αντισταθμιστεί έτσι όπως περιγράφεται στο 17 18 19 20, ώστε να μην μπορεί να μετακινείται από τη θέση του όταν αιωρείται στον αέρα με το χειριστήριο στο ρελαντί.
- Το Quadcopter είναι πλέον έτοιμο προς χρήση.
- Εφόσον το Quadcopter δεν δείχνει κάποια λειτουργία προσπαθήστε να συνδεθείτε ξανά.
- Πετάζτε με το μοντέλο.
- Προσγειώστε το μοντέλο.
- **Διακόψτε την κουμπωτή σύνδεση της επαναφορτιζόμενης μπαταρίας.**
- Απενεργοποιείτε πάντα τελευταίο τον τηλεχειρισμό.

Πτήση του Quadcopter 4 καναλιών

ΥΠΟΔΕΙΞΗ!

Προσέχετε κυρίως κατά τις πρώτες δοκιμαστικές πτήσεις να μετακινείτε τους μοχλούς στο Controller με προσοχή και όχι πολύ βιαστικά. Αρκούν συνήθως πολύ μικρές κινήσεις στον μοχλό για να εκτελεστεί μια συγκεκριμένη εντολή!

Αν παρατηρήσετε ότι το Quadcopter κινείται προς τα εμπρός ή προς τα πλάγια χωρίς να χειρίζεστε τον ανάλογο μοχλό, αντισταθμίστε τη θέση του Quadcopter όπως περιγράφεται στο 17 18 19 20.

9 +/- γκάζι (πάνω/κάτω)

Για την απογείωση ή για αύξηση του ύψους πτήσης σύρετε προσεκτικά τον αριστερό μοχλό γκαζιού προς τα εμπρός. Για την προσγείωση ή για μείωση του ύψους πτήσης σύρετε προσεκτικά τον αριστερό μοχλό γκαζιού προς τα πίσω.

10 Για την περιστροφή του Quadcopter περι τον ίδιο άξονα προς τα αριστερά ή δεξιά μετακινείτε προσεκτικά τον αριστερό μοχλό προς τα αριστερά ή δεξιά.

11 Για την πτήση του Quadcopter προς τα αριστερά ή δεξιά μετακινείτε προσεκτικά τον δεξιό μοχλό προς τα αριστερά ή δεξιά.

12 Για την πτήση του Quadcopter προς τα εμπρός ή πίσω μετακινείτε προσεκτικά τον δεξιό μοχλό προς τα εμπρός ή πίσω.

Εκκίνηση ρότορες / κινητήρες

13 a Πατήστε το κουμπί «Start/Stop Rotors» στο χειριστήριο, για την εκκίνηση των κινητήρων. Μόλις εκκινήστε τους ρότορες μπορείτε να το ανυψώσετε με τον μοχλό του γκαζιού.

Χρήση του χρονοδιακόπτη

13 b Επιλέξτε τον χρόνο του Countdown για την Αυτόματη εκκίνηση πατώντας το κουμπί «MIN» ή «SEC».

Πατήστε το κουμπί «ST» για να ξεκινήσετε το Countdown. Σύντομο πάτημα του «ST» = Παύση. Με πάτημα μεγαλύτερης διάρκειας (5sec) επαναφέρετε τον χρόνο.

Μόλις το Countdown φθάσει στο 0:00 το Quadcopter εκκινεί τους ρότορες και πετάει σε ύψος 1m. Ο χρόνος τρέχει τώρα αυτομάτως.

Με πάτημα του κουμπιού «ST» σταματάτε πάλι τον χρονοδιακόπτη. Με πάτημα μεγαλύτερης διάρκειας (5sec) επαναφέρετε τον χρόνο.

Διακόπτης για αρχάριους/ προχωρημένους

ΠΡΟΣΟΧΗ! 100% ΜΟΝΟ ΓΙΑ ΕΚΠΑΙΔΕΥΜΕΝΟΥΣ ΠΙΛΟΤΟΥΣ!

13 c 30% = Λειτουργία για νέους χρήστες
Όταν αλλάζετε λειτουργία ακούγεται ένα ηχητικό σήμα μία φορά.

60% = Λειτουργία για χρήστες μεσαίου επιπέδου

Το Quadcopter αντιδρά πιο γρήγορα απ' ό τι όταν βρίσκεται σε λειτουργία 30%. Όταν αλλάζετε λειτουργία ακούγεται το ηχητικό σήμα 2 φορές.

100% = Λειτουργία για προχωρημένους
-> Λειτουργία 3D

Το Quadcopter αντιδρά άμεσα στις εντολές. Όταν αλλάζετε λειτουργία ακούγεται το ηχητικό σήμα 3 φορές.

Αυτόματος έλεγχος ύψους

14 Μόλις αφήσετε τον αριστερό μοχλό γκαζιού κατά τη διάρκεια της πτήσης, το Quadcopter διατηρεί αυτόματως το ύψος αυτό.

Auto Landing

15 Μπορείτε οποιαδήποτε στιγμή, με πάτημα του κουμπιού « Auto Landing», να ενεργοποιήσετε τη λειτουργία αυτόματης προσγείωσης. Ταυτόχρονα μειώνεται αργά στους ρότορες ο αριθμός στροφών. Κατά την προσγείωση έχετε κάθε στιγμή τη δυνατότητα να επηρεάσετε τη θέση προσγείωσης, μετακινώντας τον δεξιό μοχλό γκαζιού. Μόλις το Quadcopter προσγειωθεί στο έδαφος, σβήνουν οι κινητήρες.

Auto-Start & Fly to 1 m

16 Πατήστε το κουμπί «Auto-Start & Fly to 1 m» στο χειριστήριο, για την εκκίνηση των κινητήρων και την αυτόματη πτήση σε ένα ύψος περ. 1 m. Κατά την εκκίνηση έχετε κάθε στιγμή τη δυνατότητα να επηρεάσετε την κατεύθυνση της πτήσης, μετακινώντας τον δεξιό μοχλό γκαζιού. Μόλις το Quadrocropter φθάσει στο ύψος περ. του 1 m, διατηρεί αυτομάτως το ύψος αυτό.

Αντιστάθμιση του Quadrocropter

17 Αυτόματη ισοστάθμιση

1. Τοποθετήστε το Quadrocropter σε μία οριζόντια επιφάνεια.
2. Συνδέστε το Quadrocropter με το Controller όπως περιγράφεται στο «Σύνδεση του μοντέλου με το χειριστήριο».
3. Ωθήστε παράλληλα τον μοχλό του γκαζιού και τον μοχλό για Εμπρόδ/Πίσω προς τη δεξιά κάτω γωνία. Η LED στο Quadrocropter αναβοσβήνει για λίγο και στη συνέχεια ανάβει διαρκώς. Ακούγεται ένα ηχητικό σήμα 1x
4. Η σύνδεση με την ουδέτερη θέση ολοκληρώθηκε.

18 Όταν το Quadrocropter αιωρείται στον αέρα και χωρίς μετακίνηση του μοχλού κλίση αριστερά/δεξιά, πετάει προς τα αριστερά ή δεξιά, ακολουθήστε την εξής διαδικασία:
Αν κινείται το Quadrocropter από μόνο του γρήγορα ή αργά προς τα αριστερά, πατήστε την κάτω δεξιά αντιστάθμιση για τη δεξιά/αριστερή κλίση σταδιακά προς τα δεξιά. Εάν το Quadrocropter κινείται προς τα δεξιά, πατήστε την αντιστάθμιση για τη δεξιά/αριστερή κλίση βαθμιαία προς τα αριστερά.

19 Όταν το Quadrocropter αιωρείται στον αέρα και χωρίς μετακίνηση του μοχλού για την μπροστά/πίσω κίνηση πετάει προς τα εμπρός ή πίσω, ακολουθήστε την εξής διαδικασία: Αν κινείται το Quadrocropter από μόνο του γρήγορα ή αργά προς τα εμπρός, πατήστε την επάνω δεξιά αντιστάθμιση για τη μπροστά/πίσω κίνηση σταδιακά προς τα κάτω. Εάν το Quadrocropter κινείται προς τα πίσω, πατήστε την αντιστάθμιση για τη μπροστά/πίσω κίνηση βαθμιαία προς τα πάνω.

20 Όταν το Quadrocropter αιωρείται στον αέρα και χωρίς μετακίνηση του μοχλού για κυκλική περιστροφή περιστρέφεται επί τόπου προς τα αριστερά ή δεξιά ακολουθήστε την εξής διαδικασία: Αν περιστρέφεται το Quadrocropter από μόνο του γρήγορα ή αργά περί τον ίδιον του τον άξονα προς τα αριστερά, πατήστε την κάτω αριστερή αντιστάθμιση για κυκλική περιστροφή σταδιακά προς τα δεξιά. Εάν το Quadrocropter περιστρέφεται προς τα δεξιά, πατήστε την αντιστάθμιση για την κυκλική περιστροφή σταδιακά προς τα αριστερά.

Αντικατάσταση των πτερυγιών ροτόρων

21 Χρησιμοποιήστε για την αφαίρεση ενός πτερυγίου ρότορα, αν χρειαστεί, ένα λεπτό λείο αντικείμενο. Προσέχετε, ώστε κατά την αφαίρεση να τραβήξετε το πτερύγιο του ρότορα προσεκτικά, κατακόρυφα προς τα πάνω, κρατώντας σταθερά τον κινητήρα από κάτω. Στερεώστε πάλι καλά το πτερύγιο του ρότορα με τη βίδα στο Quadrocropter.

22 QR-Code για το σύστημα αλλαγής κινητήρα, ανταλλακτικά και άλλες πληροφορίες.

23 ΠΡΟΕΙΔΟΠΟΙΗΣΗ!

Προσέχετε ιδιαίτερα τη σήμανση και το χρώμα, καθώς και τη γωνία κλίσης των πτερυγιών του ρότορα!

Μπροστά Αριστερά: κόκκινο – Σήμανση „A“

Μπροστά Δεξιά: κόκκινο – Σήμανση „B“

Πίσω Δεξιά: μαύρο – Σήμανση „B“

Πίσω Αριστερά: μαύρο – Σήμανση „A“

Προστατευτική φωλιά ρότορα

24 Ο κλωβός προστασίας του ρότορα αφαιρείται. Αφαιρέστε 1 βίδα ανά ρότορα - κάτω από το πτερύγιο του ρότορα.

ΣΥΜΒΟΥΛΗ: Αφαιρέστε τον κλωβό προστασίας του ρότορα μόνον αν έχετε ολοκληρώσει ήδη 10-20 πτήσεις και αισθάνεστε αρκετά ασφαλείς!

Λύσεις προβλημάτων

Πρόβλημα: Το Controller δεν λειτουργεί.

- Αιτία:** Ο διακόπτης Power ON/OFF είναι στη θέση „OFF“.
Λύση: Ρυθμίστε το διακόπτη Power ON/OFF στη θέση „ON“.
Αιτία: Οι μπαταρίες έχουν τοποθετηθεί λάθος.
Λύση: Ελέγξτε, αν έχουν τοποθετηθεί σωστά οι μπαταρίες.
Αιτία: Οι μπαταρίες έχουν εξασθενήσει.
Λύση: Τοποθετήστε νέες μπαταρίες.

Πρόβλημα: Το Quadrocropter δεν ελέγχεται με το χειριστήριο.

- Αιτία:** Ο διακόπτης Power του χειριστηρίου είναι στη θέση „OFF“.
Λύση: Τοποθετήστε πρώτα τον διακόπτη Power στο χειριστήριο στο „ON“.
Αιτία: Το χειριστήριο ίσως να μην είναι σωστά συνδεδεμένο με τον δέκτη του Quadrocropter.
Λύση: Δημιουργήστε σύνδεση όπως περιγράφεται στη „Λίστα ελέγχου για την προετοιμασία πριν την πτήση“.

Πρόβλημα: Το Quadrocropter δεν ξεκινά.

- Αιτία:** Το „Start-Rotors“ Button στο χειριστήριο δεν είναι πατημένο.
Λύση: Πατήστε το „Start-Rotors“ Button εκκίνησης στο χειριστήριο.

Πρόβλημα: Το Quadrocropter δεν ανυψώνεται.

- Αιτία:** Οι έλικες κινούνται πολύ αργά.
Λύση: Ωθήστε τον μοχλό γκαζιού προς τα πάνω.
Αιτία: Η ισχύς της μπαταρίας δεν επαρκεί.
Λύση: Φορτίστε την μπαταρία (βλ. κεφάλαιο „Φόρτιση της μπαταρίας“).

Πρόβλημα: Το Quadrocropter χάνει χωρίς συγκεκριμένο λόγο κατά τη διάρκεια της πτήσης ταχύτητα και κατέρχεται.

- Αιτία:** Η μπαταρία είναι σχεδόν εκφορτισμένη.
Λύση: Φορτίστε την μπαταρία (βλ. κεφάλαιο „Φόρτιση της μπαταρίας“).

Πρόβλημα: Το Quadrocropter στρέφεται μόνο περι τον άξονά του ή αναποδογυρίζει κατά την εκκίνηση.

- Αιτία:** Λάθος τοποθετημένα ή χαλασμένα πτερύγια ρότορα.
Λύση: Τοποθετήστε /αντικαταστήστε τα πτερύγια ρότορα όπως περιγράφεται στο **21 22 23**.

Με επιφύλαξη για λάθη ή αλλαγές - Χρώματα/ τελικό σχέδιο – Με την επιφύλαξη αλλαγών
 Με την επιφύλαξη τεχνικών και σχεδιαστικών αλλαγών
 Εικονογράμματα = Φωτογραφίες συμβόλων

亲爱的顾客

恭喜您购买了由最先进科技生产的Carrera遥控Quadrocopter模型。由于我们总在进一步发展和完善我们的产品，所以我们保留技术修改和配置，材料和设计变更的权利，如有改变恕不另行通知。您所购买的产品和本手册中的数据 and 图示如有轻微偏差，不属于保修范围。此使用说明和安装说明是产品的一部分。不按照手册中的说明或安全指示使用此产品，将不予保修。请保留说明以作将来的参考，或以后在转让时给第三方做参考依据。

您可以登录 carrera-rc.com 进入 Service 菜单查询使用说明的最新版本和关于替换件的详细信息。

注意！在您第一次飞行时，请确保在贵国是否有模型飞机保险义务的相关规定。

保修条例

Carrera 产品是卓越技术的结晶（非玩具），应慎重对待。请务必遵守说明书中的指示。所有部件都经过认真核对（我们保留为进一步改进产品进行技术性的修改和设计变更的权利）。

如果仍有问题，在符合以下保修条件范围内我们为您提供保修：

Stadlbauer 经营+销售有限公司（下称“制造商”）向终端客户（下称“客户”）在符合下列规定的条件下保证给客户所供应的 Carrera 遥控 Quadrocopter 模型（下称“产品”）自采购日起（保修期限）两年内不会出现材料或加工缺陷。如有缺陷，制造商会根据判断免费修复，替换新产品或彻底翻修零部件。保修不包括易损件（如电池，螺旋桨，盒盖，齿轮等），也不包括不当操作/使用引起的损毁或第三方造成的缺陷。对于客户其他索赔，特别是财产索赔，制造商不予受理。

当产品通过风险转移提交给客户时存在有缺陷的情况下，客户对各自的卖方有合约或法定权利（质保，解除该合约，贬值，索赔），保修与此权利无关。

此制造商保修权利只在如下情况下成立：

- 损害并不是由不依照说明书的不当操作或不当使用所造成时，
 - 非运作磨损时，
 - 产品没有非制造商指定维修商维修或经手过的痕迹时，
 - 产品只使用制造商授权的替换件和。
- 保修卡不可缺少。

欧盟国家注：请注意卖方的保修义务相关规定，卖方的保修义务不受此保修限制。

产品来回寄送的费用由制造商承担。

此保修在上述范围以及上述前提下（即使在转售情况下，也必须提交原销售单据）对转售的买主同样有效。

致性声明

Stadlbauer 经营+销售有限公司特此声明此模型包括遥控器符合以下所有欧共体准则（EG-Richtlinien）有关电磁兼容性的基本要求：欧共体指令 2009/48 和 2004/108/EG 关于电磁兼容性和 2014/53/EU (RED) 的其他相关规定。原版的一致性声明可登陆 carrera-rc.com 网站查询。



最大射频功率 < 10 dBm
频率范围：2400 - 2483,5 MHz

警告！

请将说明书妥善保存，以便日后查询。给家长们的提示：请检查玩具是否按照提示正确组装。安装须在成人监督下进行。

遥控 Quadrocopter 不是玩具，仅适合 14 岁以上的用户！

此产品不得在没有成人监督的情况下供儿童使用。操控直升机进行飞行需要技巧，儿童必须在成人的监督下进行飞行训练。第一次使用前请与您的孩子一同阅读使用须知。首次使用前：请与您的孩子一起阅读使用说明。操作此产品必须小心谨慎并要求一定的机械常识和心理素质。该手册包含了产品的安全指示和规定以及保养和操作该产品的说明。请务必在第一次使用前完整的阅读并理解此说明书。这样才能避免意外受伤或损失。严禁将手，头发，散落的衣物以及笔和螺丝刀等物品放置于螺旋桨附近。严禁触摸旋转的螺旋桨。请您特别注意不要将手靠近螺旋桨！

注意：仅限于在室外使用-严禁在室内使用。仅限于在室外使用-严禁在室内使用。有造成眼睛受伤的风险。只可在视线范围内于合适的地域（空旷的地区，无障碍物）启动和飞行。作为此产品的使用者，您将负起保障安全的责任，即不能损害或威胁到您自己或他人及其财产。

- 在遥控器电池电量低时请不要使用模型。
- 请勿在拥挤或狭窄的地方使用。请务必保证有足够的空间。
- 请尽可能不要在街上或公共场所飞行，以避免意外或使他人受伤。
- **注意：如有人，动物或其它障碍物在飞行区域，请不要起飞 Quadrocopter。**
- 严禁在高压线、铁轨、公路、游泳

- 池或开阔水域进行启动或飞行。
- 请只在视野良好、天气状况良好时进行飞行。
 - 请您在使用时严格遵守此产品及其附带产品（充电器，电池等）的所有说明和警告。
 - **如有生物或物品被卷入Quadrocopter, 请立即将油门操纵杆归零, 即完全推下左遥控杆。**
 - 请保持干燥, 潮气会损害电器。
 - 吞食或舔舐此模型的部件有导致重伤甚至死亡的危险。
 - 请勿更改或修改Quadrocopter的任何部件。

如果您不同意此条款, 请立即将崭新完整的Quadrocopter模型在未使用过的状态下退给经销商。

关于锂聚合物电池的重要信息
 锂聚合物 (LiPo) 电池比普通碱性或镍氢电池敏感, 经常被用于无线遥控。请严格遵守相关规则和警告。LiPo电池的不当处理有引发火灾的可能, 请在处理LiPo电池时务必遵守制造商的说明。

处理旧电器和电子设备的规定请参照WEEE准则。



带有如图所示的打叉的垃圾桶标志的物品, 如废电池, 蓄电池, 纽扣电池, 电池组, 便携电池或旧电器

等有危害环境和健康的可能, 不得归类于一般家庭垃圾。

为了环保和健康, 请您自己并请您教导您的子, 谨慎处理废电池和旧电器。请将废电池和旧电器交付给已知的回收点。妥善回收废电池。不同电池型号的电池和不同电量的电池不可同时使用。请不要把已用完的电池留在玩具中。请不要对非充电电池充电。

注意!

8岁以下的儿童和身体、感官或智力上有缺陷, 或经验和知识有欠缺的人, 只有在有人看护和指导如何安全使用并了解了相应的操作风险的情况下, 才能使用充电器和USB线。严禁儿童

将此设备用于玩耍。清洁和维护此设备不可由儿童进行, 除非他已满8岁或在有监督的情况下。

8岁以下的儿童应远离充电器和连接线。**请务必不要在无人看管的情况下充电。**请将充电电池在充电前从玩具中取出。充电接触头不可短路。请使用推荐电池或同等类型的电池。如频繁使用充电器, 请定时检查电线, 连接部位, 外壳和其他零部件。如有损坏, 请在使用前先对充电器进行修理。此玩具只可与安全等级二级的设备连接。□

使用LiPo电池的准则和注意项

- 您在为附带的3.7 V = 1000 mAh / 3.7 Wh LiPo电池充电时应选择一个远离易燃物品的安全地方。
- 请务必不要在无人看管的情况下充电。
- 在飞行后充电请先让电池冷却至环境温度。
- 您只可采用配套的LiPo电池充电器 (USB线/遥控器)。不遵守此规定有导致火灾以致危害健康或造成财产损失的可能。请务必不要使用其他充电器。
- 如果电池在放电或充电的过程中有膨胀或变形的现象, 请立即停止放电或充电。请尽可能小心并迅速的取出电池, 将之放置在一个远离可燃物品的安全的开放地区, 并观察至少15分钟。如果您让已经膨胀或变形的电池继续充电或放电, 有引发火灾的可能! 即使是稍许变形或膨胀的电池也应停止使用。
- 在室温下干燥的地方存放电池。
- **请在使用后为电池充电以避免过度放电。请注意在行驶后保证约20分钟的休息时间, 然后再开始充电。每隔一段时间 (大约2-3个月) 请给电池充一次电。如不遵守上述说明, 有导致电池损坏的可能。**
- 电池在运输时或暂时存放处的温度应在5-50°C之间。尽可能不要将电池或模型存放在车里或阳光直射处。如果电池直接暴露在车里的高温中, 有损坏或着火的可能。

注意: 在电池电压/能效低时, 您可以从明显较难使Quadrocopter保持平衡的微弱和/或遥控得知。这一般表明电池电压即将降至3 V, 此时是结束飞行的好时机。

使用Quadrocopter时请断开Quadrocopter的现有接线。否则有损坏电池的可能。

操作说明

包装内容

- 1 1个 Carrera RC 车辆
- 1 1个 遥控器
- 4 4个 路障
- 1 1个 USB充电线
- 1 1个 电池
- 2 2个 备用发动机 (右/左)
- 1 1个 螺丝刀
- 2 2个 1.5 V Mignon AA电池 (不可充电)

LiPo电池充电

请注意附带的LiPo电池只能用附带的LiPo电池充电器 (USB充电线) 充电。尝试用其他LiPo电池充电器或另外的充电器为此电池充电有导致严重损害的可能。请在使用前仔细阅读电池相关章节中的警告和使用指南。蓄电池充电必须由成人进行。请避免充电器和电源发生短路情况。您可以使用附带的USB线与USB接口连接给Quadrocopter内置电池充电

2a 使用电脑充电

- 请在充电前将电池从模型中取出。
- 将USB线与电脑USB接口连接。USB线上的LED亮绿色表示充电部件与电脑正确连接。当Quadrocopter的电池电量不足时, USB线上的LED不再亮起, 表示正在给电池充电。USB线及Quadrocopter的充电接头的独特设计使电池只能在正负极对应正确的时候放入。
- 为一个已放电 (未深度放电) 电池充电需要大概120分钟。当电池充满电时, 充电器上的LED灯转为绿色。

注意: 交货时附带的LiPo电池含有部分电量。所以第一次充电需时会稍微短于正常充电时间。

请务必按照上述的安装顺序安装! 不

2b 给Quadrocopter加载电池

- 取下Quadrocopter顶部的2个夹子, 然后拿下电池盒盖。用合适的螺丝刀打开电池盖。放入电池。关上电池盖。
- 当Quadrocopter的LED开始缓慢闪烁时, 必须更换电池。

为遥控器加载电池

- 3 用螺丝刀打开电池槽并将电池放置入遥控器。请注意正确的正负极方向。关上电池槽后, 您可以通过前端的电源开关来检测遥控器的功能。新旧电池不可同时使用, 不同厂家生产的电池也不可混用。当开关处于ON时, 常规功能下遥控器中间的LED亮起红色。如果指示LED开始缓慢闪烁且发出提示音, 则必须给遥控器更换电池。

建立模型与遥控器之间的连接

- 4 Carrera RC Quadrocopter和遥控器在在每次启动时自动绑定。如Carrera遥控Quadrocopter与遥控器在开始时发现有通信问题, 您应重设连接。

- 将遥控器上的电源开关拨至启动。
- 请将电池与模型连接
- Quadrocopter上的LED有节奏的闪烁。
- 请将左遥控杆, 即油门操纵杆先完全向上然后向下推。
- 已成功建立连接。
- 现在遥控器上的LED长亮。
- 约5分钟后遥控器自动关闭。下次使用时请重复绑定过程。
- **注意!** 启动后请将Quadrocopter立即放置于水平地面, 陀螺系统会自动完成设定。

Quadrocopter说明

- 5 1. 螺旋桨系统
2. 螺旋桨保护器 (可拆卸 24)
3. LED
- 6 4. 电池连接线
5. Quadrocopter连接插头
6. 电池槽

遥控器功能概览

- 7 1. 天线
2. 电源开关 (ON/OFF)
3. 控制LED
4. 油门
旋转
5. 前进/后退
向左/向右倾斜
6. 左右方向微调
7. 前后方向微调
8. 旋转微调
9. Start/Stop Rotor" 按钮
10. Auto-Landing" 按钮

11. Auto-Start & fly to 1m” 按钮
12. 初学者/进阶切换 (30%/60%/100%)
13. 信号强度
14. 遥控器电池电量显示
15. 分钟
16. 秒
17. 分钟设置按钮
18. 秒设置按钮
19. START RACE按钮-倒数& Auto-Start & Fly to 1m
20. 电池槽

3

选择飞行区域

8 当您为您的首次飞行选择飞行区域时，最好选择一个没有旁人和障碍且尽可能大的封闭空间。基于Quadrocopter的大小和操控性能，有经验的飞行员也可在一个相对较小的封闭空间内飞行。对于您的首飞，我们强烈建议您选择一个至少5x5米面积，2.4米高的空间。在您对您的Quadrocopter完全调整完毕，对它的操控和性能熟悉后，也可以尝试在一个更小略有障碍物的空间飞行。

只适合室内使用。（住宅和庭院）遥控器和Quadrocopter之间如存在障碍物，例如人或柱子等，会阻碍信号连接。请避免此类情况发生。

飞行前准备清单

这份清单不能代替使用说明中的任何内容。无论您是否将它作为Quick-Start-Guide，我们强烈建议您在正式开始前完整的阅读本说明书。

- 检查包装内容。
- 搭建自带的赛车桩/障碍桩。如有需要，请加固底座或用锚钉在地面固定。
- 给LiPo电池充电请参阅“LiPo电池充电”章节。
- 请将2节AA电池放入遥控器，放置时请注意正确的正负极方向。
- 选择好合适的飞行场所。
- 将电池如**25**所示放入位于Quadrocopter下方的电池槽。
- 请将电池与模型连接
- **注意！Quadrocopter启动后请立即放置于水平地面，陀螺系统会自动完成设定。**
- Quadrocopter上的LED现在开始闪烁。
- 通过ON/OFF开关启动遥控器。请注意检查初学者/进阶的切换键（**18**）。请将左遥控杆，即油门操纵杆先完全向上然后向下推。
- 稍等片刻直至系统正确初始化并准备开始运行。Quadrocopter上的LED现在开始长时间闪烁。现在遥控器上的LED长亮。
- 如需让多架Quadrocopter同时飞行，请按照具体情况重复以上步骤。
- **注意！每次飞行前请务必进行自动微调 **17**！**
- 按下“Start-Rotors”按钮。
- 检测操控
- 熟悉操控
- 您可按照**17 18 19 20**的指示来微调Quadrocopter，以避免Quadrocopter悬停时不受控制的移动。
- Quadrocopter现在准备完毕。
- 如果Quadrocopter无法正常运作，请按以上步骤重新连接。
- 模型起飞。
- 模型降落。
- 断开电池连接。
- 总是最后关闭遥控器。

4通道Quadrocopter的飞行

提示！

第一次飞行时请小心操作遥控杆，不可操之过急。

如果发现Quadrocopter不按遥控杆操作向前或向侧面移动，请按照**17 18 19 20**中所描述步骤对Quadrocopter进行微调

- 9** +/-油门（向上/向下）
如需启动或起飞，请小心将左油门操纵杆向前推。如需降落或降低飞行高度，请小心将左油门操纵杆向后推。
- 10** 如需Quadrocopter原地左转或右转，请小心将左遥控杆向左或向右推动。
- 11** 如需Quadrocopter向左或向右飞行，请小心将右遥控杆向左或向右推动。
- 12** 如需Quadrocopter向前或向后飞行，请小心将右遥控杆向前或后推动。

启动螺旋桨和发动机

- 13 a** 按下遥控器上的“Start/Stop Rotors”按钮启动螺旋桨。螺旋桨开始转动后可向上推动油门操纵杆。

计时器的使用

- 13 b** 通过“MIN”和“SEC”按钮设置自动启动的倒数时间。

按下“ST”按钮开始倒数。短暂按一下“ST”按钮为暂停。长按（5秒）按钮复位。

倒数至0:00时，Quadrocopter会启动螺旋桨飞至1米的高度。然后开始自动走时。

按下“ST”按钮停止计时器。长按（5秒）会复位时间。

初学者/进阶切换

注意！100%只适合有经验的飞行员！

- 13 c** 30% = 初学者模式
切换时会伴随一声信号音。

60% = 中级模式

Quadrocopter会比30%模式的状态下反应更灵敏。切换时会伴随两声信号音。

100% = 进阶模式 -> 3D模式

Quadrocopter对操控反应灵敏 切换时会伴随三声信号音。

自动高度控制

- 14** 停止推动左操纵杆后，Quadrocopter会自动维持在此高度上。

Auto Landing

- 15** 您可随时按下“Auto Landing”按钮启动自动着陆功能，螺旋桨会慢慢减速。着陆过程中，您可推动右操纵杆来确定着陆位置。着陆后请立即停止发动机。

Auto-Start & Fly to 1 m

- 16** 按下遥控器上的“Auto-Start & fly to 1 m”按钮，启动发动机并自动飞至1米高度。启动过程中，您可随时推动右操纵杆来确定飞行方向。到达1米高度时，Quadrocopter会悬停在此高度。

Quadrocopter微调

17 自动微调

1. 将Quadrocopter放置于水平位置。
2. 将Quadrocopter与遥控器如“建立模型与遥控器之间的连接”中所描述那样进行绑定。
3. 同时推动油门操纵杆和右下角的前后操纵杆。Quadrocopter上的LED短暂闪烁，然后长亮。提示音只响一次。
4. 水平微调完成。

- 18** 不操纵遥控杆向左或向右，保持Quadrocopter悬停，如Quadrocopter仍向左或向右飞，请按以下步骤操作：
如Quadrocopter在没有操作的情况下或快或慢偏左侧移动的话，请将右下方的左右方向微调逐步向右调整。Quadrocopter偏右侧移动的话，请将左右方向微调逐步向左调整。

- 19** 不操纵遥控杆向前或向后，保持Quadrocopter悬停，如Quadrocopter仍向前或向后飞，请按以下步骤操作：
如Quadrocopter在没有操作的情况下或快或慢向前移动的话，请将右上方的前后方向微调逐步向后调整。如Quadrocopter向后移动的话，请将右上方的前后方向微调逐步向前调整。

- 20** 不操纵遥控杆旋转，保持悬停，如Quadrocopter向左或向右转，请按以下步骤操作：如Quadrocopter在没有操作的情况下或快或慢沿自身轴线向左转动的话，请将左下方的旋转微调逐步向右调整。如Quadrocopter向右转动，请将旋转微调逐步向左调整。

更换螺旋桨

- 21** 抽出螺旋桨时有可能需要一个平滑的窄面物体作为工具。请注意在向上垂直拔出螺旋桨时应同时从底部抓紧引擎。请用螺丝刀将螺旋桨牢固的装回Quadrocopter。

22 二维码含有更换发动机系统、替换件和其他信息。

23 注意！

- 请注意标记和颜色以及螺旋桨的倾斜度！
- 左前：红色 - 标记“A”
 - 右前：红色 - 标记“B”
 - 右后：黑色 - 标记“B”
 - 左后：黑色 - 标记“A”

螺旋桨保护器

- 24** 螺旋桨的保护罩是可拆卸的。取下螺旋桨叶片下的螺丝，每个螺旋桨下一个。

提示：请在至少飞行10-20余次后，对飞行已有丰富经验时，再取下螺旋桨保护罩！

故障排除

故障： 遥控器失效。

原因： 电源开关处于“OFF”位置。

解决办法： 将电源开关拨至“ON”。

原因： 电池放置错误。

解决办法： 请检查电池是否放置正确。

原因： 电池电量低。

解决办法： 换上新电池。

故障： Quadrocopter不受遥控器控制。

原因： 遥控器电源开关处于“OFF”位置。

解决办法： 先将遥控器电源开关拨至“ON”。

原因： 遥控器与Quadrocopter的接收器有可能没有通信连接。

解决办法： 请按照“飞行前准备清单”中所描述那样设置绑定。

故障： Quadrocopter不启动。

原因： 没有按下遥控器上的“Start-Rotors”按钮。

解决办法： 按下遥控器上的“Start-Rotors”按钮。

故障： Quadrocopter不上升。

原因： 螺旋桨转动过慢。

解决办法： 推动油门操纵杆。

原因： 电池电量不足。

解决办法： 给电池充电（请见“电池充电”章节）。

故障： Quadrocopter无明显原因减速并开始下降。

原因： 电池电量低。

解决办法： 给电池充电（请见“电池充电”章节）。

故障： Quadrocopter在开启时原地打圈或翻滚。

原因： 螺旋桨安装错误或损坏。

解决办法： 螺旋桨按照 **21 22 23** 的说明安装/更换。

保留更正错误和修改的权利
颜色/最终设计 - 保留修改权利
保留技术和设计相关修改权利
图示 = 标识图片

お客様各位

この度はCarrera-RCモデルQuadrocopterをお買い上げいただき、まことにありがとうございます。当品は最新の技術水準を基に製造されています。当社の製品は常に開発、改善がされており、そのため技術、装備、材料、またはデザインにおいて予告なく変更されることがありますのでご了承ください。お求めになった製品のデータ、写真はこの取扱説明書と多少相違する場合がありますが、それに関するクレームはお受けすることができませんのでご了承ください。取扱・組立説明書は当製品の内容品の一部です。この説明書にある使用方法や安全のための注意を守らないご使用は保証の対象外となりますのでご注意ください。この説明書は読み返したり、第三者へRCモデルを譲渡する際のために大切に保管してください。

最新バージョンの取扱説明とオプションのパーツに関する情報は、carrera-rc.comのサービスサイトをご覧ください。

注意！初飛行の前には、お住まいの国でお求めになった飛行モデルに法律上の保険加入が必要かどうかを確認してください。

保証条件

カレラ社の製品は高精度技術品であり、おもちゃではありません。そのため取扱いは注意し、説明書の注意を厳守してください。すべてのパーツは厳正なる検査を通過しておりますが、製品の改良による技術・型の変更がある場合があります。

それにもかかわらず製品に欠陥が見つかった際は、下記の条件において保証が有効となります。

Stadlbauer Marketing + Vertrieb GmbH (以下「メーカー」) は最終消費者 (以下「お客様」) に下記の規定に準じ、お客様に納品されたCarrera-RCモデルQuadrocopter (以下「製品」) に対して、購入日から2年間 (保証期間) の材質および、加工における欠陥の補償をいたします。それらの欠陥は、メーカーによる独自の判断で無料の修理、または新品やオーバーホールされた部品の納品をもって補償されます。磨耗部品 (バッテリー、プロペラ、キャビンカバー、歯車など)、および不正な使用や取扱い、または権限の無い人物による修理により生じた損傷は保証の対象となりません。その他のお客様による、特にメーカーに対する損害賠償などを保証するものではありません。お客様が販売者に対して保有する契約上、または法的な権利 (追履行、契約解除、減額、損害賠償) 上、リスク転移をする際、製品が無欠陥でなかった場合は本保証に関与しません。

このメーカー特例保証は、以下の対象でのみ賠償請求が有効です：

- 主張する欠陥が使用説明書内の規定に沿わない、あるいは不正な使用による損傷から生じたものでない場合、
- 作動に伴う磨耗現象でない場合、
- 製品にメーカー認証外の修理工場による修理、あるいはその他の介入を推奨させる特徴を持たない場合、
- 製品にメーカー認定の付属部品のみが使用され、保証書の再発行はできません。

EU諸国内の注意：この保証責任は物的保証に限定されず、すなわち販売者の法的保証責任として注意が喚起されています。

製品の発送・返送料はメーカー負担となります。この保証はいかなる今後の製品所有者に対しても、前記の対象および、条件 (再譲渡の際も同様にオリジナル購入証明の提示) が適用します。

適合宣言

Stadlbauer Marketing + Vertrieb GmbHはここに、このRCモデル、およびコントローラが以下のEC基準の基本要件：電磁気適合に関する2009/48 および、2004/108/EC、並びに基準2014/53/EU (RED) とその他の関連規定に適合していることを表明します。本適合宣言書のオリジナルはホームページ carrera-rc.com より、ご請求出来ます。



最大送信出力 10dBm以下
帯域幅: 2400 - 2483,5 MHz

警告！

取扱説明書は、後で読み返せるように保管してください。大人の方へ：指定どおりに玩具が組立てられているかを確認してください。組立は、かならず大人の方がついて行ってください。

リモコン操縦式Quadrocopterはおもちゃではありません。これは14才以上の青少年を対象としています。

本製品は、保護者の監視なしにお子様だけで遊ぶためのものではありません。ヘリコプターの操縦には、ある程度のスキルが必要です。お子様は、かならず大人の直接の立ち会いのもとに習得するようにしてください。初めてののご使用前には、お子様と共に取扱説明をお読みください。不正な使用は、重大なケガや物的損害の原因となることがあります。操縦は必ず注意深く慎重に行ってください。その際、多少の技術的および、心理的能力が必要とされます。この説明書には安全の注意や規定、並びに製品の保守と使用のための指示が記載されています。初めての運転の前には必ずこの説明書をよく読み、それを理解した上で操作してください。そうすることによってのみ、未然にケガや損傷を伴う事故の防止が可能です。

手、髪の毛、ヒラヒラした衣服、あるいはペンやドライバーなどの物品はかならずプロペラ (ローター) から遠ざけてください。回転中のロー

ターには触れないでください。特にローターには絶対手を近づけないようご注意ください。

注意：ケガをさけるためにQuadrocopterは顔の近くを飛行させないでください。屋外の使用にのみ適しています。インドアでは使用できません。目にケガをする危険があります。かならず離陸と飛行に適した場所（障害物のない空間）の有視界でのみ、飛行させてください。

本製品のユーザーは本人や他人、およびその所有物が損傷したり、危険にさらされたりすることがないように、安全な取扱いに個々が責任を持ってください。

- お使いのRCモデルは絶対に充電量が少なくなったコントローラ電池を使用しないでください。

- 交通量の多い場所や人ごみでの使用は避けてください。また周囲に十分な空間があることを常に確認してください。

- RCモデルが他人を危険にさらしたりケガをさせたりしないよう、出来る限り公道や公共の場所では飛行させないでください。

- **注意：Quadrocopterの飛行エリアに人、動物あるいはその他の障害物がある場合はQuadrocopterを離陸させないでください。**

- 高架線、線路、公道、プールまたは河川や海の上空での離陸や飛行は、禁止されています。

- 開けた視界で、安定した気象条件下でのみ飛行させてください。

- 本製品および、その他の付属品（充電器、電池など）の使用上の指示や注意事項を厳守してください。

- **Quadrocopterが生き物あるいは、強固な物体に接触しそうになった時は、直ちに左側のレバーを最下位に下ろし、スロットルをゼロに戻してください。**

- 電子部品が損傷するおそれがあるため、あらゆる湿気から避けてください。

- RCモデルの部品を口に入れたり、なめたりすると、重大な傷害を起こして死に至る危険性があります。

- Quadrocopterは、けっして改造しないでください。

これらの条件を承認いただけない場合は、Quadrocopterのすべての内容を即座に新品状態のまま販売店にご返却ください。

リチウムポリマー電池に関する重要な情報

リチウムポリマー（LiPo）電池は、その他のラジコンに使用される従来のアルカリ電池、またはNiMH電池に比べてひときわ敏感です。そのため、それに関する規定や注意は厳守してください。LiPo電池の取扱いを間違うと、火災・火傷の危険があります。またLiPo電池の廃棄処分は、常にメーカーの指示に従ってください。

WEEE使用済み電気・電子機器の廃棄物指令



ここに表示されているX印の付いたゴミ箱のシンボルマークは、空のバッテリー、蓄電池、ボタン

電池、電池パック、あるいは使用済み電気機器は環境および、健康に障害を与えるため家庭用ゴミとして処分してはならないことを指示しています。廃電池や使用済み電気機器の正しい廃棄方法をお子様にも教えて環境や健康の保全にご協力ください。使用済み電池や電気機器は指定の収集所で回収処理をしてください。そうすることで廃棄物が正しくリサイクルがされます。また、異種の電池や新品と使い古した電池を混合させて使用しないでください。空になった電池は玩具から取り出してください。充電式でない電池を充電しないでください。

注意！

チャージャーおよび、USB充電ケーブルは8才以上のお子様を対象としており、感覚的、物理的、知的障害

のある者や使用経験や知識が十分でない者は監視下、あるいは安全な取り扱いを習得して危険性を理解した者が使用できます。お子様がチャージャーやUSB充電ケーブルで遊ばないように気をつけてください。お手入れやメンテナンスは8才以上であれば大人の監視の下で可能ですが、子供だけでは行わせないでください。チャージャーおよび接続ケーブルは、8才未満の子供の手が届かないように管理してください。**バッテリーの充電中は、決して目を離さないようにしてください。**充電式電池は充電前に玩具から取り出してください。またコネクタは短絡させないでください。推薦された電池あるいは、同タイプの電池のみを使用してください。定期的にチャージャーを使用する際は、必ずケーブル、コネクタ、フタおよび、その他の部品を点検してください。チャージャーが故障した際は、それを修理してからまた使用してください。

この玩具は感電保護クラスIIの電気機器にのみに接続してください。□

LiPo電池の使用のための基準と注意事項

- 付属の3,7 V = 1000 mAh / 3,7 Wh LiPo電池は、そばに発火性の物質のない安全な場所で充電してください。
- バッテリーの充電中は、決して目を離さないようにしてください。
- 飛行後の充電は、蓄電池をまず周囲の温度に冷却させてから行ってください。
- 専用のLiPo用充電器（USBケーブル／コントローラ）のみを使用してください。この注意を守らないと発火の危険性があり、それに因する健康や物質への障害が起きることがあります。そのため決してその他のチャージャーは使用しないでください。
- 放電中あるいは、充電中に電池が膨らんだり変形する場合は、放

電、充電を即座に中止してください。そして出来る限り急いで電池を注意深く取り出し、周りに可燃性の物質のない安全な場所において、最低15分間はそれを監視してください。電池がすでに膨らんだり、変形している場合は発火の危険性があります！少々の変形や膨らみでも、その電池の使用は必ず中止してください。

- 蓄電池は室温の乾燥した場所で保管してください。
- いわゆる過放電を避けるために、使用後には必ず蓄電池を充電してください。飛行と充電には約20分間の間隔を空けてください。蓄電池は時々（約2～3ヶ月ごとに）、充電してください。上記の取扱い方法を守らない電池の扱いは、故障をまねくことがあります。
- 蓄電池の移動中やその一時保管は温度が5～50度の場所で行ってください。電池やRCモデルは車内や直射日光のあたる場所に置かないでください。高温の車内に放置したままにすると電池が損傷したり、発火することがあります。

注意：バッテリー容量や電圧が低い場合は、Quadrocopterがきりもみ降下しないようにトリミングなどの制御操作が頻繁に必要となってくることで、それが分かります。この状態は通常電池の電圧が3 Vに低下する前に起りますので、飛行停止の目安にしてください。

取扱上の注意

内容品

- 1x Quadrocopter
- 1x コントローラ
- 4x パイロン
- 1x USB充電ケーブル
- 1x 蓄電池
- 2x スペアモーター（右/左）
- 1x ドライバー
- 2x 1.5 V 単3電池（再充電不可）

LiPo電池の充電

付属のLiPo電池は、必ず付属のLiPo用充電器（USBケーブル）でのみ充電するようにしてください。バッテリーをその他のLiPo電池用チャージャーや他種の充電器で充電すると、重篤な損傷のおそれがあります。ご使用前には、前記の電池の使用における注意事項や規定をよく読んでください。バッテリーはかならず大人の方が充電してください。チャージャーとアダプタは短絡させないでください。

Quadrocopterに内蔵されたバッテリーは、以下のように専用USB充電ケーブルでUSBポートに接続して充電ができます。

2a コンピュータによる充電方法：

- **電池は、充電する前にモデルから取り出してください。**
- USB充電ケーブルをコンピュータのUSBポートにつなぎます。USB充電ケーブルのLEDが緑に点灯すると、充電器が正しくコンピュータに接続されたことを示します。Quadrocopterを空のバッテリーとつなぐと、USB充電ケーブルにあるLEDランプが消えてQuadrocopterのバッテリーが充電されていることを示します。USB充電ケーブルまたは、Quadrocopterの充電ソケットは逆の電極に接続できないよう作られています。
- 一度空にしたバッテリー（非完全放電）を再充電するには、約120分ほどかかります。USB充電ケーブルの緑のLEDランプが再び点灯すると、満充電されたサインです。

注意：同梱のLiPo電池は、少し充電された状態で納品されています。そのため、一回目の充電はいくらか短時間となります。

上記の接続順序を厳守してください！

Quadrocopterを使用しない時は、Quadrocopterの接続プラグを外してください。これを守らないと、バッテリーが損傷するおそれがあります！

2b Quadrocopterに充電池を入れる

- Quadrocopterの上にある2つのクリップを外し、バッテリーボックスのふたを外します。バッテリー収納部のフタを付属のドライバーで開けてください。充電池を入れます。バッテリー収納部のフタを閉めます。
- QuadrocopterのLEDがゆっくりと点滅するようになったら、かならず電池を交換してください。

コントローラへのバッテリーのセット

- 3 ドライバーでバッテリー収納部のフタにあるネジを外し、コントローラにバッテリーをセットします。その際、正しい電極の位置に注意してください。新品の電池と使い古した電池、または異なるメーカーの電池を混合させて使用しないでください。コントローラが機能しているかは、収納部フタを閉じた後、前面にある電源スイッチより確認できます。電源スイッチがONのとき、コントローラの中央上にあるLEDランプが赤く点灯していれば、正しく機能しているサインです。コントロールLEDがゆっくりと点滅してシグナルが鳴る場合は、コントローラの充電池を交換しなければなりません。

マシンとコントローラのペアリング

- 4 Carrera RC Quadrocopterとコントローラは、スタートアップ時に毎回自動的にペアリングします。もし初期状態でカレラRC Quadrocopterとコントローラを送受信に問題がある場合は、あらかじめペアリングを行ってください。
- コントローラの電源スイッチを入れます。
 - マシンとバッテリーを接続します。
 - QuadrocopterのLEDランプが規則的に点滅をはじめます。
 - アクセルとなる左のジョイスティックをいったん一番上まで押し上げ、また引き下げます。
 - ペアリングがこれで成功しました。
 - その後、コントローラのLEDランプが点灯し続けます。
 - 約5分半後にコントローラのスイッチが切れます。再び使用する場合は、改めてペアリングをしてください。
 - **注意！ Quadrocopterのスイッチを入れた後には、かならずマシンを水平な面に設置してください。自動的にジャイロが制御します。**

Quadrocopterの各部名称

- 5
1. ローターシステム
 2. プロペラプロテクター（リムーバブル 24）
 3. LEDランプ
 4. バッテリーケーブル
 5. Quadrocopter接続プラグ
 6. バッテリー収納部

コントローラの機能一覧

- 7 1. アンテナ
2. 電源スイッチ(ON / OFF)
3. コントロールLED
4. スロットル
旋回
5. 前進/後進
右/左 傾斜
6. トリマー 右/左 傾斜
7. トリマー 前進/後進
8. 旋回トリマー
9. Start/Stop rotor ‘ボタン
10. Auto-landing ‘ボタン
11. Auto-start & fly to 1 m ‘ボタン
12. ビギナー／アドバンス・スイッチ
(30%/60%/100%)
13. シグナル音量
14. コントローラのバッテリー残量表示
15. 分
16. 秒
17. 分セットボタン
18. 秒セットボタン
19. レーススタートボタン-カウントダウン &
Auto-Start & Fly to 1m
- 3 20. バッテリー収納部

飛行に適した環境

- 8 初飛行の準備が整ったら、出来るだけ無人で障害物のない広い屋内空間をさがします。その広さはQuadrocopterの操縦レベルに準じますが、熟練したパイロットは比較的小さな屋内空間でも飛行が可能です。初めて飛行させる場合は、最低5x5メートル四方の床面積と2.4メートルの高さのスペースを推奨します。トリマーの調整後、Quadrocopterの操作とその性能に慣れたら、それほど広くないさらに狭い環境での飛行にも挑戦することができます。

室内（家と庭）でのみ使用できます。またコントローラとQuadrocopterの間には、柱や人物などの障害物がないようにしてください。

飛行準備のためのチェックリスト

下記のチェックリストは、本使用説明書内容の代用にはなりません。これはクイックスタートガイドとして利用できますが、必ず先に進む前にまず本使用説明書をよくお読みください。

- 内容品を確認してください。
- 同梱のパイロンを設置します。必要に応じて、ウエイトや市販のベグなどを使用して地面に固定してください。
- LiPo電池を「LiPo電池の充電」の項で記されているように充電してください。
- 正しい電極の位置に注意して、コントローラに2個の単三電池を入れます。
- 飛行に適した環境をさがします。
- 25 にあるように充電電池をQuadrocopter下部のバッテリー収納部にセットします。
- マシンとバッテリーを接続します。
- **注意！Quadrocopterのスイッチを入れた直後には、かならずマシンを水平な面に設置してください。自動的にジャイロが制御します。**
- QuadrocopterのLEDランプが点滅します。
- コントローラのON/OFFスイッチを入れます。ビギナー、あるいはアドバンススイッチの設定(16) アクセルとなる左のジョイスティックをいったん一番上まで押し上げ、また引き下げます。アクセルとなる左のジョイスティックをいったん一番上まで押し上げ、ふたたび最下位のゼロ位置まで引き下げます。

- Quadrocopterのシステムが正しくイニシャライズされ、作動準備が整うまで少し待ちます。そうするとQuadrocopterのLEDランプが点滅し続けます。その後、コントローラのLEDランプが点灯し続けます。
- 何台ものQuadrocopterを同時に飛行させたいときは、必要に応じて上記の設定を同じく繰り返します。
- **注意！飛行の前には、自動トリミング 17 を毎回かならず行ってください！**
- 'Start rotor ' ボタンを押します。
- コントロールシステムを確認します。
- コントロールシステムに慣れてください。
- Quadrocopterがホバリング中に操作をしなくても静止飛行をするよう、必要に応じて 17 18 19 20 に記されたようにトリミングをしてください。
- これでQuadrocopterのスタート準備が完了です。
- それでもQuadrocopterが機能しない場合は、上記にあるように再度ベアリングを試してください。
- モデルを飛行させます。
- モデルを着陸させます。
- バッテリーの接続を外します。
- 常にリモコンのスイッチは一番最後に切るようにします。

4チャンネル式Quadrocopterの飛行

注意！

初めてテスト飛行する際は、コントローラのスティックを急激に動かさないよう注意深く操作してください。各スティックによる非常に小さな動きで、十分制御が可能です。

スティックを操作していないにもかかわらずQuadrocopterが前方あるいは、サイドに飛行する場合は、Quadrocopterを(項目 17 18 19 20 に)記してあるようにトリミングしてください。

- 9 +/- アクセル(上昇/下降)
スタートあるいは、上昇させるには左のアクセラレータを注意深く前方に寄せます。着陸あるいは、低空飛行させるには左のアクセラレータを注意深く後方に押しします。

- 10 Quadrocopterを左や右まわりに旋回させるには、左のスティックを注意深く左または、右に動かします。

- 11 Quadrocopterを左右に飛行させるには、右のスティックを注意深く左または、右に動かします。

- 12 Quadrocopterを前方あるいは後方に飛行させるには、右のスティックを注意深く前または、後ろに動かします。

ローターとモーターのスタート

- 13 a コントローラの 'Start/Stop rotor' ボタンを押してモーターをスタートさせます。ローターが動き始めてから、アクセルを押し上げます。

ストップウォッチの使用法

- 13 b "MIN " または "SEC " ボタンを押して、Auto-Startまでのカウントダウン時間を選択します。

"ST " ボタンを押すとカウントダウンが始まります。"ST " ボタンを短押しするとPauseです。リセットは、長押し(5秒間)でできます。

カウントダウンが 0:00になった時点でQuadrocopterのローターが回転を始め、約1mの高度で飛行します。それから自動的にタイムがカウントされます。

"ST " ボタン長押し(5秒間)することで、リセットできます。リセットは、長押し(5秒間)でできます。

ビギナー／アドバンス・スイッチ

注意！100% 熟練者のみ！

- 13** **C** 30% = ビギナーモード
スイッチを入れ換えると、シグナル音が1回鳴ります。

60% = アドバンスモード

Quadrocopterは、30%モードより敏感に反応します。スイッチを入れ換えると、シグナル音が2回鳴ります。

100% = アドバンスモード -> 3Dモード

Quadrocopterは、操作の動きにとても敏感に反応します。スイッチを入れ換えると、シグナル音が3回鳴ります。

自動高度コントロール

- 14** 飛行中に右のジョイスティックを離すと、Quadrocopterは自動的に現在の高度を保持します。

Auto Landing

- 15** 'Auto-landing' ボタンを押すことで、いつでも自動着陸機能をセットできます。そうすると徐々にローターの回転数が減速するため、着陸途中でも右のジョイスティックを動かして随時、着陸位置を操作できます。モーターは、Quadrocopterが着地すると停止します。

Auto-Start & Fly to 1 m

- 16** コントローラの 'Auto-start & fly to 1 m' ボタンを押すとモーターが駆動し、自動的に約1mの高度で飛行します。離陸中でも右のジョイスティックを動かすことで随時、飛行方向を操作することができます。高度が約1mに達すると、Quadrocopterは自動的に高度を保持します。

Quadrocopterのトリミング

- 17** 自動トリミング
1. Quadrocopterを水平面にのせます。
 2. Quadrocopterとコントローラを“マシンとコントローラのペアリング”の項に記されているようにペアリングを行います。
 3. アクセルと前進・後進レバーを同時に右下の角に向けて動かします。QuadrocopterのLEDが点滅し、その後点灯を続けます。シグナル音が1回鳴る。
 4. これでニュートラルの設定が完了しました。
- 18** 左右傾斜のスティックを操作していないにもかかわらず、Quadrocopterがホバリングの際に左や右方向に飛行する場合は、次のように制御してください：Quadrocopterがひとりでに速やかに、またはゆっくりと左右のサイドに飛行する場合は、トリマー右下の左右傾斜制御を少しずつ右に押してください。Quadrocopterが右に飛行する場合は、トリマーの左右傾斜制御を少しずつ左に押してください。

- 19** 前進・後進のスティックを操作していないにもかかわらず、Quadrocopterがホバリングの際に前や後に飛行する場合は、次のように制御してください：Quadrocopterがひとりでに速やかに、またはゆっくりと前方に飛行する場合は、トリマー右上の前進・後進制御を少しずつ下に押してください。Quadrocopterが後方に飛行する場合は、トリマーの前進後進制御を少しずつ上に押してください。

- 20** ホバリングの際にスティックを操作していないにもかかわらず、Quadrocopterが左や右方向に旋回する場合は、次のように制御してください：Quadrocopterがひとりでに速やかに、またはゆっくりと回転する場合は、トリマー左下の回転制御を少しずつ右に押してください。Quadrocopterが右回転する場合は、トリマーの回転制御を少しずつ左に押してください。

プロペラの交換

- 21** 必要に応じてプロペラを抜く際には、細く平らなツールを使用してください。その際は、下からモーターをしっかりと押さえて、プロペラを注意深く上に垂直に引き抜いてください。Quadrocopterに再びプロペラをネジでしっかりと固定してください。

- 22** モーター交換システム、スペアパーツ、詳細情報のQRコード。

- 23** 注意！
プロペラのマーキングや色、角度にご注意ください！
前方左：赤 - マーキング “A”
前方右：赤 - マーキング “B”
後方右：黒 - マーキング “B”
後方左：黒 - マーキング “A”

プロペラプロテクター

- 24** 取外し可ローター。プロテクトカバー。プロペラの下にある各ローターのネジを一つ外します。
ヒント：ローターのプロテクトカバーは10〜20回ほど練習をし、十分飛行に慣れてから取り外すようにしてください！

問題の解決策

問題： コントローラが機能しない。

原因： ON/OFF電源スイッチがOFFになっている。

解決策： ON/OFF電源スイッチをONにする。

原因： バッテリーが誤ってセットされている。

解決策： 正しくバッテリーがセットされているか確かめる。

原因： バッテリー容量が少ない。

解決策： 新しいバッテリーをセットする。

問題： コントローラでQuadrocopterを操作できない。

原因： コントローラの電源スイッチがOFFになっている。

解決策： 最初にコントローラの電源スイッチをONにする。

原因： コントローラがQuadrocopterのレシーバーと正しくペアリングされていない。

解決策： 「飛行準備のチェックリスト」の項にあるようにペアリングを行う。

問題： Quadrocopterが作動しない。

原因： コントローラの 'Start rotor' ボタンが押されていない。

解決策： コントローラの 'Start rotor' ボタンを押してスタートさせる。

問題： Quadrocopterが上昇しない。

原因： プロペラの回転が遅すぎる。

解決策： アクセルを上を押します。

原因： バッテリーのパワーが足りない。

解決策： バッテリーを充電する（「蓄電池の充電」の項を参照）。

問題: Quadcopterが飛行中に特に理由もなく速度を落とし、降下する。

原因: バッテリー容量が足りない。

解決策: バッテリーを充電する (「蓄電池の充電」の項を参照)。

問題: Quadcopterが旋回し続けたり、スタート時にルーピングする。

原因: プロペラが正しい位置にセットされていないか、破損している。

解決策: プロペラを項目 **21 22 23** に記されているように設置、または交換する。

誤植変更がある場合があります。

色および、最終デザインの変更がある場合があります。

技術やデザイン上の変更がある場合があります。

ピクトグラム=シンボル写真



고객 여러분께

최신 기술로 제작된 카레라 RC 모델 쿼드콥터를 구입하신 것을 축하합니다. 저희는 제품을 개발하고 개선하는데 항상 노력하고 있기 때문에 기술적인 측면과 장착, 재료, 디자인과 관련하여 예고 없이 언제라도 변동할 권리를 보유합니다. 그래서 구입하신 제품이 이 설명서의 자료와 그림에 비해 근소한 차이를 보이더라도 이것을 근거로 한 어떤 청구권도 도출되지 않습니다. 이 사용 및 조립 설명서는 제품의 일부입니다. 사용설명서와 기재된 안전수칙을 준수하지 않았을 경우에는 개런티 청구권이 소멸됩니다. 추후에 다시 참고하고 모델을 제 3자에게 이양할 경우에 대비하여 이 설명서를 보관하십시오.

이 작동설명서의 최신판과 구입 가능한 제품에 대한 정보는 carrera-rc.com의 서비스 영역에서 보실 수 있습니다.

주의! 처음으로 비행을 개시하기 전에 구입하신 모델 비행기에 대한 법적 인보험 의무가 귀하의 국가에 존재하는지 확인하십시오.

개런티 조건

카레라 제품은 고급 기술로 제작된 상품이니(장난감이 아님) 조심스럽게 다루어야 합니다. 사용설명서의 주의사항을 반드시 주지하십시오. 모든 부품은 세심한 검토를 거쳤습니다.(기술상의 변동과 제품 개선에 도움이 되는 모델 변동에 대한 권리는 제조사가 보유합니다).

그럼에도 결함이 있을 경우에는 다음 개런티 조건의 범위에서 개런티를 보장합니다:

Stadtbauer Marketing + Vertrieb GmbH 회사는 (이하 "제조사") 아래 규정에 따라 카레라 RC 모델 쿼드콥터에(이하 "제품") 제품 구입일로부터 2년간(개런티 기간) 재료나 제조상의 결함이 생기지 않는다는 것을 최종 고객(이하 "고객")에게 보증합니다. 이런 결함을 제조사는 자신의 판단에 의거하여 수선하거나 새로운, 혹은 일반 검사를 거친 부품을 조달하는 등의 방법으로 자신의 비용을 들여 제거합니다. 이 개런티는 소모품(예: 축전지, 회전날개, 조종실 덮개, 톱니바퀴등), 적절하지 않은 취급/사용에 의한 손상, 혹은 맞지 않게 조작한 경우에는 해당되지 않습니다. 제조사에 대한 고객의 기타 다른 청구권, 특히 손해보상은 제외됩니다.

위험 양도시 제품에 결함이 없는 상태에서 생기게 되는 고객의 각 판매상에 대한 계약상의 권리, 혹은 법적 권리(후속 조치, 계약 해지, 가격 할인, 손해 보상)는 이 개런티에 해당하지 않습니다.

이 별도 제조사 개런티에서 비롯하는 청구권은 다음과 같은 경우에 해당합니다:

- 청구를 신청한 결함이 사용설명서의 주의사항에 따라 규정에 맞지 않거나 적절하지 않은 사용에 의해 생긴 손상이 아닌 경우,
- 사용에 따른 소모현상이 아닌 경우,
- 제품이 수리나 제조사가 인정하지 않은 정비소에 의해 조작되었다는 어떤 징표를 보이지 않을 경우,
- 제품에 제조사가 인정한 부품만을 사용했을 경우.

개런티 증서는 대체할 수 없습니다.

유럽연합국가에 해당되는 참고사항: 법적인 보증의무는 제품에 대한 개런티에 의해 제한받지 않습니다.

제품을 반품하고 다시 배송할 때 생기는 비용은 제조사가 부담합니다.

이 개런티는 앞에 언급한 범위와 위에 언급한 조건(다시 판매했을 경우에도 구입증서 원본을 제시해야 함)에서 나중에 제품을 소유하게 되는 모든 소유자에게도 유효합니다.

개런티 조건

Stadlbauer Marketing + Vertrieb GmbH 사는 컨트롤러를 포함한 이 모델은 전자기장 적합성에 대한 EG 지침 전자파 적합성에 대한 EG 지침 2009/48과 2004/108/EG 및 지침 2014/53/EU (RED) 의 다른 관련 규정이 인정됩니다. 적합성 증명서 원본은 carrera-rc.com 에서 청구할 수 있습니다.



무선 주파수 최대 전력 10dBm 이하
주파수 범위: 2400 - 2483,5 MHz

경고 사항!

나중에 필요할 경우에 대비해서 이 사용설명서를 잘 보관하십시오. 성인은 이 장난감이 기술된 대로 조립되어 있는지 확인하십시오. 조립은 성인의 감독하에 이루어져야 합니다.

원격 조종 쿼드콥터는 장난감이 아니고, 14세 이상의 청소년들에게 적합합니다!

이 제품은 교육권자의 감독없이 어린이들이 사용할 수 있도록 되어 있지 않습니다. 헬리콥터를 조종하기 위해서는 일정한 연습이 필요합니다. 어린이들은 어른의 감독하에 조종법을 배워야 합니다. 사용 전에 귀하의 자녀와 함께 이 사용설명서를 읽으시기 바랍니다. 적절하지 않게 사용할 경우 심각한 부상과/이나 손상을 입힐 수 있습니다. 이 제품은 조심스럽고 신중하게 조종해야 하고, 역학적인 힘과 정신적인 능력을 필요로 합니다. 사용설명서는 안전주의사항과 지침 및 제품을 손질하고 작동하는데 필요한 주의사항을 담고 있습니다. 처음으로 작동하기 전에 이 사용설명서를 끝까지 읽고 이해하는 것은 필수적입니다. 그래야만 부상과 손상으로 인한 사고를 피할 수 있습니다. 손, 머리카락, 느슨한 옷 및 연필과 드라이버 같은 물건은 프로펠러(회전날개)로 부터 안전거리 유지를 해야 합니다. 회전중인 회전날개를 손대지

마십시오. 손이 회전날개 근처에 접근하지 않게 특히 주의하십시오!

주의: 부상 위험을 피하기 위해 얼굴 근처에서 Quadrocopter를 비행하지 마십시오. 반드시 실외에서 사용 | 실내 사용 금지. 눈을 다칠 위험이 있음. 이륙과 비행은 반드시 (장애물이 없고 트인 평지와 같은) 적절한 장소와 시야 범위내에서 해야 합니다. 이 제품을 사용하시는 귀하께서 안전하게 작동하는데 책임을 지신다는데 주지하시어, 귀하는 물론 다른 사람과 그 소유물도 손상이 가거나 위험에 처하지 않아야 합니다.

- 컨트롤러의 건전지가 약한 상태에서 모델을 절대 사용하지 마십시오.
- 왕래가 많고 활동이 왕성한 영역을 피하십시오. 충분한 공간이 마련되어 있는지 항상 주지하십시오.
- 어느 누구도 위험에 처하거나 다치지 않게 하기 위해 가능하면 거리나 공공 영역에서 모델을 비행하지 마십시오.
- **주의: 사람, 동물, 기타 다른 장애물이 Quadrocopter의 비행영역에 있는 경우에는 Quadrocopter를 출발시키지 마십시오.**
- 고압전선, 전철로, 도로, 수영장이나 물가 근처에서 작동하고 비행하는 것은 엄격히 금지되어 있습니다.
- 시야가 좋고 잠잠한 기상조건에서만 작동하십시오.
- 이 제품과 사용하시는 추가 장비(충전기, 충전지등)의 주의사항과 경고사항을 정확히 따르십시오.
- **쿼드콥터가 생물이나 딱딱한 물체와 접촉했을 경우에는 즉시 속도조절을 0으로, 다시 말하면, 왼쪽 조이스틱을 아랫부분 끝까지 내려야 합니다!**
- 전자기기를 손상할 수 있으니 물기를 피하십시오.
- 모델의 부품을 입에 넣거나 빨면 심각한 부상에서부터 사망에 까지 이를 수 있는 위험이 있습니다.
- 어떠한 경우에도 Quadrocopter를 개조하거나 변화시키지 마십시오.

이 조건에 동의하지 않으시면, 쿼드 콤팩트 모델 전체를 사용하지 않은 새로운 상태로 판매상에 반납하십시오.

리튬 이온 중합체 축전지에 대한 중요한 안내

리튬 이온 중합체(LiPo) 축전지는 보통 무선원격조종기에 통상 사용되는데 알칼리 전지나 니켈-수소 전지보다 예민합니다. 제조사가 정한 규칙과 주의사항은 그래서 정확히 따라야 합니다. 리튬 이온 중합체 축전지를 잘못 사용하면 화재 위험이 있습니다. 리튬 이온 중합체 축전지를 폐기할 때는 항상 제조사의 주의사항을 주지하십시오.

WEEE에 의거한 전기 및 전자 기기 폐기 규정



여기 그려진 가위표 처진 쓰레기통 상징은 빈 건전지, 축전지, 단추형 전지, 전지팩, 기타 전지, 전기

제품 폐품 등은 환경과 건강에 해롭기 때문에 일반 가사용 쓰레기통에 버려서는 안된다는 것을 주지시키고 있습니다. 환경과 건강을 보존하는데 조하시고, 전지와 전기 기기 폐품을 규정예 맞게 처리하는 요령에 대해 자녀들과 논의하시기 바랍니다. 전기 제품 폐품은 별도 마련된 수거장에 버려야 합니다. 그래야만 재활용품 처리장에 이르게 됩니다. 서로 다른 전지나 새 전지와 현 전지를 함께 사용하면 안됩니다. 빈 전지는 장난감에서 분리하십시오. 충전할 수 없는 전지는 충전하면 안됩니다. 충전이 가능한 전지는 반드시 인의 감독하에 충전해야 합니다.

주의!

충전기 및 USB 충전선은 감독하에, 혹은 기구의 안전한 사용과 관련된 교육을 받고 생길 수 있는 위험을 이해한 경우, 8세 이상의 어린이와 육체적, 감각적, 정신적인 능력이 제한되었거나 경험과/이나 지식이 부족한 성인이나 사용할 수 있습니다. 어린이들은 충전기 및 USB 충전선을 가지고 놀아서는 안됩니다. 8세 이상이 아

고 감독을 받지 않은 상태에서 어린이는 세척과 정비를 해서는 안됩니다. 8세 이하의 어린이는 충전기와 접선에 접근하지 않게 하십시오. **충전할 때 축전지를 절대 감독하지 않은 상태로 방치하지 마십시오.** 접속단자에 단선이 생기지 않게 해야 합니다. 반드시 추천된 전지나 같은 유형의 전지만 사용해야 합니다.

충전기를 정기적으로 사용할 경우에는 충전기의 전선, 연결부, 덮개와 다른 부분들도 점검하십시오. 손상이 생긴 경우에는 충전기를 수선한 다음에 다시 작동해야 합니다. 이 장난감은 반드시 보호 등급 2에 해당하는 장비에만 연결해야 합니다. □

리튬 이온 중합체 축전지 사용 지침과 주의사항

- 동봉된 3,7V=1000mAh/ 3,7Wh 리튬 이온 중합체 축전지를 반드시 발화성 물질로부터 떨어진 곳에서 충전하십시오.
- 충전할 때 축전지를 절대 감독하지 않은 상태로 방치하지 마십시오.
- 비행한 후 충전할 때는 전지를 주변 온도에 이를 때까지 식혀야 합니다.
- 반드시 부속 리포 충전기(USB 전선/컨트롤러)를 사용해야 합니다. 이것을 지키지 않으면 화재 위험이 있고, 이로 인한 건강상의 위험성과/이나 물질 손상을 입을 수 있습니다. 절대 다른 충전기를 사용하지 마십시오.
- 방전이나 충전하는 도중에 축전지가 부풀어 오르거나 모양이 바뀌면, 충전이나 방전을 즉시 중단하십시오. 축전지를 가능한 한 빠르고 조심스럽게 빼내어 가연성 물질에서 떨어진 넓고 안전한 장소에 놓은 다음, 최소한 15분간 지켜보십시오. 이미 부풀어 올랐거나 모양이 변한 축전지를 계속하여 방전이나 충전을 하면 화재 위험이 있습니다! 미미하게 부풀거나 모양이 바뀌어도 축전지를 작동하지 마십시오.
- 축전지를 실내온도의 건조한 곳에

보관하십시오.

- **축전지의 완전 방전을 피하기 위해 사용 후 축전지를 반드시 다시 충전하십시오. 비행과 충전 사이에 약 20분간 휴식을 취하셔야 한다는 것을 주지하십시오. 축전지를 종종 (약 2-3 개월마다) 충전하십시오. 위에 언급한 축전지의 용법을 지키지 않으면 고장날 수 있습니다.**
- **축전지를 운반하거나 잠정적으로 보관할 때 온도는 5-50° C 사이여야 합니다. 축전지나 모델을 가늠하면 자동차 안에 두거나 직사광선에 노출하지 마십시오. 축전지가 차 안에서 열을 받으면 손상되거나 불이 붙을 수 있습니다.**

주의사항: 전지의 전압/성능이 낮은 경우 퀴드콤퍼가 흔들리지 않게 하기 위해 심한 트리밍과/이나 조종 동작이 필요하다는 것을 확인하시기 됩니다. 이런 상태는 일반적으로 전지의 전압이 3 V에 이르기 전에 나타나고, 비행을 종료하기에 적당한 시점입니다.

작동시 주의사항

축전지 충전

- 1**
- 1x 퀴드콤퍼
 - 1x 컨트롤러
 - 4x 트레픽 콘
 - 1x USB 충전 전선
 - 1x 축전지
 - 2x 대체 모터(우측/좌측)
 - 1x 드라이버
 - 2x 1.5 V AA 건전지 (재충전 할 수 없음)

리포 축전지 충전하기

동봉된 리포 축전지는 반드시 동봉된 리포 충전기(USB 전선)로만 충전해야 한다는 것에 유의하십시오. 전지를 다른 리포 전지 충전기나 다른 충전기로 충전을 시도하면 심한 피해를 입을 수 있습니다. 충전을 하기 전에 앞 절에 설명한 전지 사용에 대한 경고사항과 사용지침을 세심하게 읽으십시오. 축전지는 반드시 성인이 충전해야 합니다. 충전기와 전원에 단선이 생기지 않도록 하십시오.

퀴드콤퍼에 장착된 축전지는 해당 USB 충전전선을 이용하여 USB 포트에서 충전할 수 있습니다.

2a 컴퓨터에서 충전하기:

- **충전하기 전에 축전지를 모델에서 분리하십시오.**
- **USB 충전 전선을 컴퓨터의 USB 포트에 연결하십시오. USB 충전 전선의 LED 점등이 초록색으로 빛을 발하고, 충전 장치가 컴퓨터에 제대로 연결되어 있다는 것을 나타내줍니다. 빈 전지를 장착한 퀴드콤퍼를 연결하시면 USB 충전 전선의 LED 점등이 더 이상 빛을 발하지 않고, 퀴드콤퍼의 전지가 충전되고 있는 것을 나타내줍니다. USB 충전 전선 및 퀴드콤퍼의 충전 전 소켓은 서로 다른 극을 접촉할 수 없게 제조되어 있습니다.**
- **(완전 방전되지 않고)방전된 전지가 다시 충전될 때까지는 약 120 분이 걸립니다. 전지가 완전히 충전되면, USB 충전 전선의 점등이 다시 초록색으로 빛을 발합니다.**

안내: 제품 공급시 동봉된 리포 전지는 부분 충전되어 있습니다. 그래서 첫 충전은 약간 짧게 걸릴 수 있습니다.

위에 언급한 접속 순서를 반드시 지켜십시오!

퀴드콤퍼를 사용하지 않는 경우, 퀴드콤퍼에 있는 플러그 연결을 분리하십시오. 이를 주의하지 않으면, 축전지가 손상을 입을 수 있습니다!

2b 퀴드콤퍼에 전지 장착하기

- **퀴드콤퍼 윗부분에 있는 클립 2개를 제거하시고 전지함의 뚜껑을 제거하십시오. 동봉된 드라이버로 전지함의 뚜껑을 여십시오. 전지를 장착하십시오. 전지함의 뚜껑을 닫으십시오.**
- **퀴드콤퍼의 LED가 천천히 깜박이면, 전지를 교체해야 합니다.**

컨트롤러에 전지 장착하기

- 3** 전지함을 드라이버로 열고 컨트롤러에 전지를 장착하십시오. 양극이 제대로 맞는지 주의하십시오. 새 전지와 현 전지, 혹은 서로 다른 제조사의 전지를 함께 사용하지 마십시오. 전지함을 닫은 후 컨트롤러가 작동하는지를 앞면의 파워 스위치를 통해 점검하십시오. 파워 스위치가 ON으로 켜져있고 제대로 작동하면 컨트롤러 중간부 위쪽에 있는 점등이 빨간 빛을 발합니다. 컨트롤러의 LED가 천천히 깜박이고 신호음이 울리면, 컨트롤러의 전지를 교체해야 합니다.

모델을 컨트롤러에 접속하기

- 4** 카레라 RC 쿼드콥터와 컨트롤러는 작동을 시작할 때 매번 새로 접속합니다. 처음에 카레라 RC 쿼드콥터와 컨트롤러 간의 교신에 문제가 있으면, 새로 접속을 시도하십시오.

- 전원 스위처에서 컨트롤러를 켜십시오.
- 모델에 축전지를 연결하십시오.
- 쿼드콥터의 LED가 울동적으로 깜박입니다.
- 왼쪽 조이스틱, 즉 속도조절 공이를 왼쪽으로 완전히 밀어올린 다음, 다시 아랫쪽으로 내리십시오.
- 접속이 성공적으로 이루어졌습니다.
- 컨트롤러의 LED가 지속적으로 빛을 발합니다.
- 약 5분 30초 후에 컨트롤러가 꺼집니다. 다시 사용하려면 접속 절차를 반복하십시오.
- 주의! 쿼드콥터를 켜 후 즉시 수평면에 올려놓으십시오. 지로시스템이 자동으로 정열 작동합니다.**

쿼드콥터 기술

- 5**
- 회전날개 시스템
 - 회전날개 보호막 (분리 가능 **24**)
 - LED
- 6**
- 축전지 전선
 - 쿼드콥터 연결 플러그
 - 전지함

컨트롤러의 기능

- 7**
- 안테나
 - 파워 스위치(ON / OFF)
 - 점검 LED
 - 속도
 - 원형 비행 전진/후진
우측/좌측 기울이기
 - 우측/좌측 기울이기 트리밍
 - 전진/후진 트리밍
 - 원형 회전을 위한 트리밍
 - Start/Stop Rotor* 단추
 - Auto Landing* 단추
 - Auto Start & Fly to 1.5m* 단추
 - 초보자/숙련자 스위치 (30%/60%/100%)
 - 신호음량
 - 컨트롤러 표시 전지상태
 - 분
 - 초
 - 분 단위 설정 단추
 - 초 단위 설정 단추
 - START RACE 단추 - Countdown & Auto-Start & Fly to 1m
- 3**
- 전지함

비행 장소 선택하기

- 8** 첫 비행을 하실 준비가 되었으면 사람과 장애물이 첫 비행을 하실 준비가 되었으면 사람과 장애물이 없고 가능하면 크고 닫힌 장소를 선택하십시오. 쿼드콥터의 크기와 조종성능에 따라 경험있는 조종사는 상대적으로 작은 닫힌 공간에서도 비행할 수 있습니다. 첫 비행을 하는데 반드시 필요한 최소 공간 크기는 가로 5 미터, 세로 5미터 넓이에, 2,40 미터 높입니다. 쿼드콥터 트리밍을 완료하였고 조종과 비행능력에 익숙해진 다음에는 더 작은 공간과 완전히 비어있지 않은 주변에서 비행을 감행하셔도 됩니다.

집 안(주택과 정원)에서만 사용할 것. 컨트롤러와 Quadcopter 사이에 기둥이나 사람과 같은 물체가 없어야 합니다.

비행 준비 점검표

이 점검표는 사용설명서 내용을 대체하지 않습니다. 이 점검표를 퀵 스타트 가이드로 사용하실 수 있음에도 불구하고, 계속 진행하기 전에 우선 이 조작설명서를 완전히 숙독하실 것을 적극 권합니다.

- 포장 내용물을 점검하십시오.
- 동봉된 교통 콘/장애물을 설치하십시오. 바닥은 필요한 경우 무개를 실어 누르거나 시중에서 구입할 수 있는 고정판을 이용하여 고정할 수 있습니다.
- 리포 전지를 "리포 전지 충전하기" 항목에 설명된대로 충전하십시오.
- AA 건전지 2개를 컨트롤러에 삽입하되, 양극이 맞는지 주의하십시오.
- 비행하기에 적당한 주변을 찾으십시오.
- 25**에 설명된 바와 같이 전지를 쿼드콥터 아랫쪽에 위치한 전지함에 장착하십시오.
- 모델에 축전지를 연결하십시오.
- 주의! 쿼드콥터를 켜 후 즉시 수평면에 올려놓으십시오. 지로시스템이 자동으로 정열 작동합니다.**
- 쿼드콥터의 LED가 깜박입니다.
- ON/OFF 스위처에서 컨트롤러를 켜십시오. 초보자/숙련자 스위치가 제대로 되어있는지 반드시 확인하십시오 (**133**). 왼쪽 조이스틱, 즉 속도조절 공이를 왼쪽으로 완전히 밀어올린 다음, 다시 아랫쪽으로 내리십시오.
- 쿼드콥터가 시스템을 정확히 초기화하고 작동준비가 될 때까지 잠시 기다리십시오. 쿼드콥터의 LED가 이제 지속적으로 깜박입니다. 컨트롤러의 LED가 지속적으로 빛을 발합니다.
- 쿼드콥터 여러 대를 동시에 비행하려면 필요에 따라 위에 설명한 항목을 반복하십시오.
- 주의 비행을 시작하기 전 매번 자동 트리밍 기능 **17** 을 반드시 수행하십시오!**
- "Start Rotor" 단추 누르기.**
- 조종이 되는지 점검하십시오.
- 조종 방법을 익히십시오.
- 필요한 경우 아래 **17 18 19 20** 에 설명된대로 쿼드콥터를 트리밍하여 쿼드콥터가 부유비행시 조종하지 않은 상태에서 제 위치로 부터 벗어나지 않게 하십시오.
- 쿼드콥터는 이제 비행 준비가 되었습니다.
- 쿼드콥터가 어떤 기능도 보이지 않으면 위에 언급한 접속 절차를 다시 시도하십시오.
- 모델을 비행시키십시오.
- 모델을 착륙시키십시오.
- 축전지 플러그 연결을 분리하십시오.
- 원격조종기를 항상 마지막으로 끄십시오.

4 채널 쿼드콥터 비행하기

주의!

처음 비행을 할 때는 컨트롤러 공이를 서두르지 말고 매우 조심하여 조작하십시오. 대부분의 경우 각 공이를 미미하게 조작하는 것만으로 해당 조종명령을 수행할 수 있습니다!

해당 공이를 조작하지 않았음에도 쿼드콥터가 앞이나 옆으로 움직이는 것을 감지하시면, (17 18 19 20) 에 설명한 것에 따라 쿼드콥터를 트리밍하십시오.

9 +/- 속도(높임/줄임)
출발하거나 비행 고도를 높히려면, 왼쪽 속도조절공이를 조심스럽게 앞으로 미십시오. 착륙하거나 비행 고도를 낮추려면, 왼쪽 속도조절공이를 조심스럽게 뒷쪽으로 미십시오.

10 쿼드콥터를 제 위치에서 왼쪽이나 오른쪽으로 돌리려면, 왼쪽 공이를 조심스럽게 왼쪽이나 오른쪽으로 움직이십시오.

11 쿼드콥터를 왼쪽이나 오른쪽으로 비행하려면, 오른쪽 공이를 조심스럽게 왼쪽이나 오른쪽으로 움직이십시오.

12 쿼드콥터를 앞쪽이나 뒷쪽으로 비행하려면, 오른쪽 공이를 조심스럽게 앞쪽이나 뒷쪽으로 움직이십시오.

회전 날개/모터 켜기

13 a 모터를 시동하려면 컨트롤러의 "Start/Stop Motor" 단추를 누르십시오. 회전날개가 작동을 시작함과 동시에 속도조절 공이를 이용하여 위로 떠오를 수 있습니다.

스톱 위치 사용하기

13 b "MIN" 이나 "SEC" 단추를 눌러 Auto-Start 가 실행될 카운트다운 시간을 정하십시오.

"ST" 단추를 누르면 카운트다운이 시작됩니다. "ST" 단추를 짧게 누름 = 정지. 좀 더 오랫동안(5초) 누르면 시간이 다시 해제됩니다.

카운트다운이 0:00에 도달하면 쿼드콥터는 회전날개를 작동하고 1m 높이까지 비행합니다. 이 때부터 시간이 자동으로 계산됩니다.

"ST" 단추를 눌러 스톱위치를 다시 중단할 수 있습니다. 좀 더 오랫동안(5초) 누르면 시간이 원점으로 돌아갑니다.

초보자/숙련자 스윗치

주의! 반드시 100% 숙련된 파일럿만 사용할 것!

13 c 30% = 초보자 모드
전환시 신호음이 1회 울립니다.

60% = 중간 모드
쿼드콥터가 30% 모드보다 더 민감하게 반응합니다. 전환시 신호음이 2회 울립니다.

100% = 숙련자 모드 -> 3D 모드
쿼드콥터는 조종동작에 매우 민감하게 반응을 보입니다. 쿼드콥터는 조종동작에 매우 민감하게 반응을 보입니다.

자동 고도 조절 기능

14 비행 중 왼쪽 조이스틱에서 손을 놓으면 쿼드콥터는 자동으로 현 고도를 유지합니다.

Auto Landing

15 "Auto Landing" 단추를 눌러 언제든지 자동 착륙 기능을 실행할 수 있습니다. 이 때 날개의 회전 횟수가 서서히 감소합니다. 착륙이 실행되는 과정에서 언제든지 오른쪽 조이스틱을 움직여 착륙 위치를 바꿀 수 있습니다. 쿼드콥터가 지면에 다르면 모터가 꺼집니다.

Auto-Start & Fly to 1 m

16 컨트롤러의 "Auto Start & Fly to 1 m" 단추를 눌러 모터가 시동하고 자동으로 1 미터 고도에 오르게 할 수 있습니다. 이륙이 시행되는 과정에서 언제든지 오른쪽 조이스틱을 눌러 비행 방향을 바꿀 수 있습니다. 약 1 미터 고도에 도달하면 쿼드콥터는 자동으로 고도를 유지합니다.

쿼드콥터 트리밍하기

17 자동 트리밍

1. 쿼드콥터를 수평면에 올려 놓으십시오.
2. "모범을 컨트롤러에 접속하기"에 설명된 대로 쿼드콥터를 컨트롤러에 접속하십시오.
3. 속도조절 공이와 전진/후진 공이를 동시에 오른쪽 아래 모서리까지 미십시오. 쿼드콥터의 LED가 짧게 깜박이고 난 후 지속적으로 빛을 발합니다. 신호음이 1번 울립니다.
4. 종말 위치 설정이 완료되었습니다.

18 쿼드콥터가 부유비행 상태에서 오른쪽/왼쪽 기울이기 공이를 조작하지 않았음에도 왼쪽이나 오른쪽으로 비행하면, 다음과 같이 하십시오:

쿼드콥터가 혼자서 저절로 신속히, 혹은 천천히 왼쪽으로 움직이면, 오른쪽/왼쪽 기울이기를 위한 오른쪽 아래 트리밍 공이를 단계적으로 오른쪽으로 눌러주십시오. 쿼드콥터가 오른쪽으로 움직이면, 오른쪽/왼쪽 기울이기 트리밍 공이를 단계적으로 왼쪽으로 눌러주십시오.

19 쿼드콥터가 부유비행 상태에서 전진/후진 공이를 조작하지 않았음에도 앞쪽이나 뒷쪽으로 비행하면, 다음과 같이 하십시오:

쿼드콥터가 혼자서 저절로 신속히, 혹은 천천히 앞쪽으로 움직이면, 전진/후진을 위한 오른쪽 뒷쪽 트리밍 공이를 단계적으로 아래로 누르십시오. 쿼드콥터가 뒷쪽으로 움직이면, 전진/후진 트리밍 공이를 단계적으로 위로 누르십시오.

20 쿼드콥터가 부유비행 상태에서 원형 회전 비행 공이를 움직이지 않았음에도 불구하고 제자리에서 왼쪽, 혹은 오른쪽으로 회전하면 다음과 같이 하십시오: 쿼드콥터가 저절로 빠르거나 천천히 제 추를 중심으로 왼쪽으로 회전하면, 원형 비행을 위한 왼쪽 아래 트리밍 단추를 단계적으로 오른쪽으로 누르십시오. 쿼드콥터가 오른쪽으로 회전하면, 원형 비행을 위한 트리밍 단추를 단계적으로 왼쪽으로 누르십시오.

회전 날개 교체

21 회전 날개를 분리하려면, 필요에 따라 얇고 편평한 물체를 사용하십시오. 회전 날개를 조심하여 수직으로 뒷쪽으로 분리하시는데, 이 때 모터를 아랫쪽에서 붙잡고 고정하십시오. 나사를 조여 회전날개를 다시 쿼드콥터에 부착하십시오.

22 모터 교체 시스템, 부속품 및 기타 정보 안내 QR코드.

- 23** 주의
표식과 색깔 및 회전 날개의 경사각도가 맞는지 반드시 주의하십시오!
전면 왼쪽: 빨강-표식 "A"
전면 오른쪽: 빨강-표식 "B"
후면 오른쪽: 검정-표식 "B"
후면 왼쪽: 검정-표식 "A"

회전날개 보호막

- 24** 회전날개 보호막은 분리할 수 있음. 이를 위해 회전날개 아랫 부분에 있는 나사를 회전날개 당 각 1개 씩 제거하십시오.
추천: 회전날개 보호막은 10-20회 정도 비행 한 후 자 신감이 생기면 제거하십시오!

문제 해결

문제: 컨트롤러가 작동하지 않음.

- 원인: ON/OFF 파워 스위치가 OFF로 되어 있음.
해결책: ON/OFF 파워 스위치를 "ON"으로 전환.
원인: 전지가 잘못 장착됨.
해결책: 전지가 제대로 장착되었는지 검토하십시오.
원인: 전지가 충분하지 않음.
해결책: 새 전지를 장착하십시오.

문제: 쿼드콥터를 컨트롤러로 조종할 수 없음.

- 원인: 컨트롤러의 파워 스위치가 "OFF"로 되어 있음.
해결책: 먼저 컨트롤러의 파워 스위치를 "ON"으로 전환.
원인: 컨트롤러가 간혹 쿼드콥터의 수신기와 제대로 연결되어 있지 않을 수 있습니다.
해결책: "비행 준비 점검표" 항목에 설명된대로 접속 절차를 실행하십시오.

문제: 쿼드콥터가 시동하지 않는 경우.

- 원인: 컨트롤러의 "Start Rotor" 단추를 누르지 않았음.
해결책: 컨트롤러의 "Start Rotor" 단추를 누를 것.

문제: 쿼드콥터가 뜨지 않음.

- 원인: 회전 날개가 너무 서서히 움직임.
해결책: 속도조절기를 위로 미십시오.
원인: 전지 성능이 충분하지 않음.
해결책: 전지 충전("전지 충전"에 관한 항목 참고).

문제: 쿼드콥터가 비행중 뚜렷한 이유없이 속력을 잃고 강하함.

- 원인: 전지가 너무 약함.
해결책: 전지 충전("전지 충전"에 관한 항목 참고).

문제: 쿼드콥터가 원형 비행만하거나 출발할 때 뒤집기를 함.

- 원인: 잘못 정렬했거나 손상된 회전 날개.
해결책: 회전 날개는 **21 22 23**에 설명한대로 장착/교체하십시오.

오류와 변동이 있을 수 있습니다.
색깔과 최종 디자인에 변동이 있을 수 있습니다.
기술과 디자인상의 변동이 있을 수 있습니다.
픽토그램 = 상징그림

RUS

Уважаемый клиент!

Мы поздравляем Вас с приобретением радиоуправляемой модели квадрокоптера Carrera, которая соответствует современному уровню развития техники. Поскольку мы постоянно работаем над усовершенствованием и улучшением нашей продукции, мы оставляем за собой право в любое время и без предупреждения вносить технические изменения, изменения в отношении оборудования, материалов и дизайна. Поэтому небольшие отклонения настоящего продукта от данных и рисунков инструкции не могут послужить основой для предъявления каких-либо претензий. Настоящая инструкция по эксплуатации и монтажу является неотъемлемой частью продукта. Несоблюдение инструкции по эксплуатации и содержащихся в ней указаний по технике безопасности лишает Вас права на гарантийное обслуживание. Храните эту инструкцию для справок и возможной передачи модели третьему лицу.

Самую актуальную версию настоящей инструкции по эксплуатации и информации об имеющихся в наличии запчастях Вы найдете на carrera-rc.com в отделе сервиса.

ВНИМАНИЕ! Перед первым полетом узнайте, существует ли в Вашей стране в отношении приобретенной Вами авиамодели установленная законодательством обязанность страхования авиамodelей.

Условия гарантии

Продукты Carrera представляют собой высокотехнологичные продукты (НЕ ИГРУШКИ), требующие аккуратного обращения. Пожалуйста, обязательно примите к сведению указания, содержащиеся в инструкции по эксплуатации.

Все детали подвергаются тщательной проверке (возможны технические изменения и изменения модели, служащие целям улучшения продукта).

Если несмотря на это появляются дефекты, производитель предоставляет гарантию на нижеуказанных условиях:

В соответствии с нижеследующими положениями компания «Stadlbauer Marketing + Vertrieb GmbH» (далее по тексту «производитель») гарантирует конечному потребителю (далее по тексту «потребитель»), что поставленный потребителю радиоуправляемый квадрокоптер Carrera (далее по тексту «продукт») в течение двух лет со дня покупки (гарантийный срок) не будет содержать дефектов материала и обработки. Такого рода дефекты производитель устранит по своему усмотрению и за свой счет посредством ремонта или поставки новых или отремонтированных деталей. Гарантия не распространяется на быстроизнашивающиеся детали (напр., аккумуляторы, лопасти, фонарь кабины, зубчатые колеса и т.п.), повреждения в результате неправильного обращения/пользования и повреждения в результате несанкционированного вмешательства. Прочтите требования потребителя, в частности, о возмещении ущерба по отношению к производителю исключаются.

Настоящая гарантия не лишает потребителя предусмотренных по закону или по договору прав (доработка, расторжение договора, снижение цены, возмещение ущерба) по отношению к соответствующему продавцу, которые могут иметь место в отношении дефектных продуктов на момент перехода риска.

Претензии из этой особой гарантии производителя возможны только в том случае, если

- заявленный дефект не был вызван повреждениями, нанесенными вследствие нецелевого или неправильного использования продукта в соответствии с инструкцией по эксплуатации,
- речь идет не об обусловленных эксплуатацией явлениях износа, про-

- друк не содержит следов ремонта или прочих вмешательств в мастерских, не авторизированных изготовителем,
- продукт использовался только с авторизованными производителями принадлежностями.

Гарантийный талон не подлежит замене.

Указание для стран-членов ЕС: Обращается внимание на предписанную по закону гарантию продавца, в частности, на то, что настоящая гарантия не умаляет действие этой предписанной по закону гарантии. Расходы на пересылку и обратную отправку продукта берет на себя производитель.

Настоящая гарантия действует в указанном выше объеме и с учетом вышеуказанных предпосылок (включая предоставление оригинального чека на покупку также и в случае перепродажи продукта) для каждого последующего, будущего владельца продукта.

Заявление о соответствии

Настоящим компания «Stadlbauer Marketing + Vertrieb GmbH» заявляет, что эта модель, включая контроллер, соответствует основополагающим требованиям следующих Директив ЕС: Директивы ЕС 2009/48 и 2004/108/ЕС об электромагнитной совместимости и прочим соответствующим предписаниям Директивы 2014/53/EU (RED).

Оригинальное заявление о соответствии можно посмотреть на carrera-rc.com.



Максимальная мощность радиочастотного сигнала <10дБм
Диапазон частот: 2400 – 2483,5 MHz

Предупредительные указания!

Сохраните эту инструкцию, чтобы иметь возможность обращаться к ней в дальнейшем. Примечание для взрослых: убедитесь, что игрушка собрана в соответствии с инструкциями. Монтаж должна проводиться под наблюдением взрослых.

Радиоуправляемый квадрокоптер НЕ ИГРУШКА. Он предназначен для подростков старше 14 лет!

Настоящий продукт не предназначен для использования детьми без присмотра воспитателя. Для управления вертолетом необходимы определенные навыки. Обучение детей должно осуществляться под непосредственным наблюдением взрослых. **Перед первым запуском: прочтите данное руководство вместе со своим ребёнком.** Неправильное использование может привести к тяжелым травмам и/или материальному ущербу. Продукт требует осторожного и осмотрительного обращения, а также наличия развитой моторики и умственных способностей. Инструк-

ция содержит указания по технике безопасности и предписания, а также указания по техническому обслуживанию и эксплуатации продукта. Перед первым применением настоящую инструкцию необходимо полностью прочитать и понять. Только таким способом можно избежать несчастных случаев, сопровождающихся травмами и повреждениями. Не допускайте попадания рук, волос, одежды, а также других предметов, напр., штифтов и отверток под пропеллер (ротор).

Не прикасайтесь к вращающемуся ротору. Обратите особое внимание на то, чтобы Ваши руки НЕ попали в лопасти!

ВНИМАНИЕ: Во избежание травм держите Quadrocopter вдали от Вашего лица. Для использования только на открытом воздухе - вне помещений. Риск повреждения глаз. Выполняйте взлеты и полеты только на подходящей местности (открытая площадка, отсутствие препятствий) и только в пределах прямого визуального контакта. Вы в качестве пользователя настоящего продукта несете единоличную ответственность за безопасное обращение с продуктом, исключаящее нанесение повреждений другим лицам или их имуществу или подвержение их опасности.

- Никогда не используйте модель со слабыми батарейками в контроллере.
- Избегайте оживленных участков и участков с интенсивным транспортным движением. Всегда следите за тем, чтобы у Вас в распоряжении было достаточно места.
- По возможности не используйте модель на открытых участках дороги или в общественных местах, чтобы никого не подвергнуть опасности или не травмировать.
- **ВНИМАНИЕ: Не запускайте Quadrocopter, если в радиусе действия Quadrocopter находятся люди, животные или другие преграды.**
- Запускать и пилотировать квадрокоптер категорически запрещено вблизи линии электропередач, железнодорожных путей, дорог, бассейнов и открытых водоёмов.
- «Летать» следует только при хорошей види-

мости и благоприятных погодных условиях.

- Точно соблюдайте инструкции и предупредительные указания для настоящего продукта и для возможного дополнительного оснащения (зарядного устройства, аккумуляторов и т. п.), которые Вы используете.
- **Если квадрокоптер столкнулся с живыми существами или твердыми предметами, немедленно установите рычаг управления газом в нулевое положение, т. е., левый джойстик должен быть опущен вниз до упора!**
- Избегайте любой влажности, поскольку она может повредить электронику.
- При засовывании деталей Вашей модели в рот или их облизывании существует опасность тяжелых травм, которые могут привести к летальному исходу.
- Не выполняйте изменения или модификации на Quadrocopter.

Если Вы не согласны с этими условиями, немедленно возвратите весь комплект модели квадрокоптера в новом и неиспользованном виде в магазин.

Важная информация о литиево-полимерных аккумуляторах

Литиево-полимерные (LiPo) аккумуляторы более чувствительны, чем обычные щелочные или никель-металл-гидридные аккумуляторы, которые также используются для дистанционного радиоуправления. Поэтому необходимо очень строго соблюдать предписания и предупредительные указания. При неправильном обращении с литиево-полимерными аккумуляторами существует опасность пожара. При утилизации литиево-полимерных аккумуляторов всегда соблюдайте информацию производителя.

Правила утилизации отработавших электрических или электронных приборов в соответствии с Директивой WEEE

Изображенный здесь символ зачеркнутых контейнеров для мусора должен обратить Ваше внимание на то, что разряженные батарейки, аккумуляторы, батарейки



кнопочной формы, аккумуляторные блоки, отработанные электрические приборы и т.д. нельзя выбрасывать в бытовой мусор, поскольку они наносят вред окружающей среде и здоровью. Пожалуйста, помогите сохранить окружающую среду и здоровье и поговорите со своими детьми о правильной утилизации отработавших батареек и отслуживших электрических приборов. Батарейки и отслужившие электрические приборы необходимо сдавать в известных пунктах сбора. Там они будут переданы для надлежащей утилизации.

Нельзя использовать вместе разные типы батареек или новые и использованные батарейки. Вынимайте из игрушки использованные батарейки. Незаряжаемые батарейки нельзя заряжать.

ВНИМАНИЕ!

Зарядное устройство или зарядный кабель USB могут использовать дети старше восьми (8) лет и лица с ограниченными физическими, сенсорными или психическими способностями или с недостатком опыта и/или знаний, если они находятся под присмотром или прошли инструктаж относительно безопасного использования устройства и уяснили для себя все риски, связанные с его использованием.

Детям запрещается играть с зарядным устройством или зарядным кабелем USB.

Детям - если им не исполнилось 8 лет и они не находятся под присмотром - нельзя выполнять очистку и техобслуживание устройства.

Храните зарядное устройство и кабель вдали от детей, которым еще не исполнилось 8 лет.

Никогда не оставляйте аккумулятор без присмотра во время зарядки. Перед зарядкой заряжаемых батареек вынимайте их из игрушки. Клеммы не разрешается закорачивать. Разрешается использовать только рекомендованные или равноценные им батарейки. При регулярном использовании зарядного устройства необходимо проверить его кабель, соединительные элементы, крышки и другие детали. В случае повреждения зарядное устройство можно снова использовать

только после ремонта.

Игрушку разрешается подключать только к приборам с классом защиты II. □

Директивы и предупредительные указания по использованию литиево-полимерных аккумуляторов

- Прилагаемый литиево-полимерный аккумулятор на 3,7 В и --- 1000 мАч/3,7 Втч необходимо заряжать в безопасном месте вдали от воспламеняемых материалов.
- Никогда не оставляйте аккумулятор без присмотра во время зарядки.
- Для зарядки после полета аккумулятор должен сначала охладиться до температуры окружающей среды.
- Используйте только входящее в комплект поставки зарядное устройство для литиево-полимерных аккумуляторов (кабель USB / контроллер). При несоблюдении этих указаний существует опасность пожара и риск нанесения вреда здоровью и/или материального ущерба. НИКОГДА не используйте другое зарядное устройство.
- Если в процессе разрядки или зарядки аккумулятор раздуется или деформируется, немедленно прекратите зарядку или разрядку. Как можно быстрее и осторожнее извлеките аккумулятор, положите его в безопасное, открытое место вдали от воспламеняемых материалов, и наблюдайте за ним на протяжении минимум 15 минут. При зарядке или разрядке раздувшегося или деформированного аккумулятора существует опасность пожара! Даже при незначительной деформации или раздувании аккумулятора его необходимо вывести из эксплуатации.
- Храните аккумулятор при комнатной температуре в сухом месте.
- **После использования обязательно снова зарядите аккумулятор, чтобы избежать так называемого глубокого разряда аккумулятора. При этом обратите внимание на то, что между полетом и процессом зарядки необходимо выдержать паузу прибл. в 20 минут. Время от времени заряжайте аккумулятор (прибл. через каждые**

2-3 месяца). При несоблюдении вышеуказанного способа использования аккумулятора могут возникнуть повреждения.

- При транспортировке или временном хранении аккумулятора температура должна составлять 5-50°C. По возможности не храните аккумулятор или модель в автомобиле или под воздействием прямых солнечных лучей. Если аккумулятор будет подвержен воздействию высоких температур в автомобиле, он может повредиться или загореться.

Указание: При низком значении напряжения/мощности батареи Вам понадобится значительное триммирование и/или значительные управляющие усилия, чтобы квадрокоптер не вошел в стопор. Это происходит, как правило, до снижения напряжения аккумулятора до 3 В. Это - удачный момент для того, чтобы прекратить полет.

Указания по эксплуатации

Комплект поставки

- 1x Quadrocopter
- 1x Контроллер
- 4x Дорожные конусы
- 1x Зарядный кабель USB
- 1x Аккумуляторная батарея
- 2x Запасной двигатель (правый / левый)
- 1x Отвертка
- 2x батареек Mignon AA на 1,5 В
(не пригодны для многократного заряда)

Зарядка литиево-полимерного аккумулятора

Следите за тем, чтобы входящий в комплект поставки литиево-полимерный аккумулятор заряжался только с помощью прилагаемого зарядного устройства для литиево-полимерных аккумуляторов (кабель USB). Если Вы будете заряжать аккумулятор с помощью другого литиево-полимерного зарядного устройства или другого зарядного устройства, это может привести к серьезным повреждениям. Прежде чем продолжить, внимательно прочитайте предыдущий раздел с предупредительными указаниями и Директивами относительно использования аккумуляторов. Заряжать аккумуляторные батареи разрешается толь-

ко взрослым. Не закорачивайте зарядные устройства и блоки питания.

Вы можете заряжать установленный в квадрокоптере аккумулятор с помощью прилагаемого зарядного кабеля USB через USB-порт:

2a Зарядка на компьютере:

- **Перед зарядкой аккумулятора извлеките аккумулятор из модели.**
- Вставьте зарядный кабель USB в гнездо USB на компьютере. СИД на зарядном кабеле USB загорается зеленым цветом, что свидетельствует о том, что зарядное устройство правильным образом подключено к компьютеру. При подключении квадрокоптера с пустым аккумулятором светодиод на зарядном кабеле USB больше не загорается. Это свидетельствует о том, что идет зарядка аккумулятора квадрокоптера. Зарядный кабель USB и зарядное гнездо квадрокоптера исключают подключение с неправильной полярностью.
- Зарядка разряженного (но не глубоко разряженного) аккумулятора длится приблизительно 120 минут. После полной зарядки аккумулятора светодиодный индикатор на зарядном кабеле USB снова загорается зеленым цветом.

Указание: При поставке входящий в комплект продукта литиево-полимерный аккумулятор частично заряжен. Поэтому первичная зарядка может длиться несколько меньше.

Обязательно соблюдайте вышеуказанную последовательность подключения! При неиспользовании квадрокоптера следует отсоединить электрический соединитель на квадрокоптере. Иначе это чревато повреждением аккумулятора!

2b Установка аккумулятора в квадрокоптер

- Удалите два зажима с верхней части квадрокоптера и снимите крышку батарейного отсека. Откройте крышку батарейного отсека с помощью входящей в комплект отвертки. Вставьте батарейку. Закройте крышку батарейного отсека.

- Если светодиод квадрокоптера медленно мигает, необходимо заменить батарейки.

Установка батареек в контроллер

- 3 Откройте батарейный отсек с помощью отвертки и вставьте батарейки в контроллер. Следите за правильной полярностью. Никогда не используйте вместе новые и старые батарейки или батарейки различных производителей. После закрытия отсека Вы можете проверить функциональную способность контроллера с помощью выключателя с передней стороны. При установке выключателя в положение ON и надлежащей функциональной способности верхний светодиод по центру контроллера должен загореться красным светом. Если контрольный светодиод медленно мигает и раздается звуковой сигнал, необходимо заменить батарейки в пульте управления.

Привязка модели к контроллеру

- 4 Связь между квадрокоптером Carrera RC и контроллером устанавливается автоматически при каждом запуске. Если изначально будет возникать проблемы со связью между радиоуправляемым квадрокоптером Carrera и контроллером, установите, пожалуйста, связь между ними повторно.

- Включите контроллер с помощью выключателя.
- Подсоедините аккумулятор в модели.
- Теперь светодиоды на квадрокоптере ритмично мигают.
- Переместите левый джойстик, т. е. рычаг газа, до упора вверх, а затем снова вниз.
- Привязка успешно завершена.
- Теперь светодиод на контроллере светится постоянно.
- Примерно через 5 1/2 минут пульт управления отключится. Для повторного использования повторите процесс привязки.
- **ВНИМАНИЕ! Непосредственно после включения обязательно установите квадрокоптер на прямую горизонтальную поверхность. Стабилизация гироскопической системы осуществляется автоматически.**

Описание квадрокоптера

- 5
 1. Роторная система
 2. Защитная клетка ротора (съёмный 24)
 3. Светодиоды
- 6
 4. Кабель аккумулятора
 5. Разъем квадрокоптера
 6. Батарейный отсек

Обзор функций контроллера

- 7
 1. Антенна
 2. Выключатель (ON / OFF)
 3. Контрольный светодиод
 4. Газ
 - Вращение по кругу
 5. Вперед/назад
 - Наклон вправо/влево
 6. Триммер для наклона вправо/влево
 7. Триммер для перемещения вперед/назад
 8. Триммер для вращения по кругу
 9. Кнопка Start/Stop Rotors
 10. Кнопка Auto-Landing
 11. Кнопка Auto-Start & Fly to 1.5 m
 12. Переключатель режимов для начинающих/продвинутых пилотов (30%/60%/100%)
 13. Мощность сигнала
 14. Индикация состояния батареи на контроллере

15. Минут
16. Секунд
17. Кнопка для установки минут
18. Кнопка для установки секунд
19. Кнопка START RACE – обратный отсчет, автоматический взлёт на высоту 1м
20. Батарейный отсек

3

Выбор участка для полета

8 После подготовки к первому полету необходимо выбрать закрытое, как можно большее помещение без людей и препятствий. Учитывая размер квадрокоптера и его маневренность, опытные пилоты могут также выполнять полеты в относительно небольших закрытых помещениях. Для Ваших первых полетов мы категорически рекомендуем выбирать помещение с минимальной площадью 5 на 5 метра и высотой 2,40 метра. После триммирования квадрокоптера и ознакомления с его системой управления и его способностями Вы можете также попробовать полетать в меньших помещениях с ограниченной свободой действий.

Только для домашнего использования (Дом и сад). Между контроллером и Quadcopter не должно находиться никаких предметов, напр., колонн или людей.

Контрольный список для подготовки к полету

Настоящий контрольный список не заменяет собой эту инструкцию по эксплуатации. Несмотря на то, что он может быть использован в качестве краткого руководства пользователя, мы настоятельно рекомендуем Вам сначала полностью прочитать настоящую инструкцию по эксплуатации, прежде чем продолжать.

- Проверьте содержимое упаковки
- Установите приложенные дорожные конусы/препятствия. Площадку для взлёта/посадки можно утяжелить или зафиксировать к земле при помощи обычных колышков.
- Зарядите литиево-полимерный аккумулятор, как описано в разделе «Зарядка литиево-полимерного аккумулятора».
- Вставьте батарейки 2 AA в контроллер, соблюдая правильную полярность.
- Подыщите подходящее место для полета.
- Вставьте аккумулятор в аккумуляторный отсек на нижней стороне квадрокоптера, как описано в **2b**.
- Подсоедините аккумулятор в модели.
- **ВНИМАНИЕ! Непосредственно после включения обязательно установите квадрокоптер на прямую горизонтальную поверхность. Стабилизация гироскопической системы осуществляется автоматически.**
- Светодиоды на квадрокоптере мигают.
- Включите контроллер с помощью выключателя ON/OFF. **Обязательно проверьте переключатель режимов для начинающих/продвинутых пилотов (13c)**. Переместите левый джойстик, т. е. рычаг газа, до упора вверх, а затем снова вниз.
- Дайте квадрокоптеру короткое время, чтобы система правильно инициализировалась и была готова к работе. Теперь светодиоды на квадрокоптере непрерывно мигают. Теперь светодиод на контроллере светится постоянно.
- При необходимости повторите вышеуказанные пункты, если Вы хотите одновременно управлять несколькими квадрокоптерами.
- **Внимание! Перед каждым полётом пожалуйста проведите автоматические настройки 17**
- **Нажмите кнопку «Start-Rotors».**
- Проверьте систему управления.
- Ознакомьтесь с системой управления.
- При необходимости выполните триммирование квадрокоптера, как описано в пунктах **17 18 19 20**, чтобы в режиме висения квадрокоптер не перемещался без выполнения операций управления.

- Теперь квадрокоптер готов к полету.
- Если квадрокоптер не реагирует на Ваши команды, повторите вышеуказанный процесс привязки.
- Приведите в движение модель.
- Посадите модель.
- **Отсоедините электрический соединитель аккумулятора.**
- Всегда выключайте пульт дистанционного управления в последнюю очередь.

Пилотирование 4-канального квадрокоптера

УКАЗАНИЕ!

Следите за тем, особенно при первых попытках пилотирования, чтобы Вы очень осторожно перемещали рычаг контроллера, не делая поспешных движений. Как правило, для выполнения соответствующей команды управления достаточно лишь незначительного перемещения соответствующего рычага!

Если Вы заметили, что квадрокоптер перемещается вперед или в сторону без нажатия соответствующего рычага, необходимо выполнить триммирование квадрокоптера, как описано в пунктах **17 18 19 20**.

9 +/- газ (вверх/вниз)

Чтобы взлететь или подняться выше, осторожно переместите левый рычаг газа вперед. Чтобы посадить квадрокоптер или опуститься ниже, осторожно переместите левый рычаг газа назад.

10 Чтобы заставить квадрокоптер вращаться на месте влево или вправо, осторожно переместите левый рычаг влево или вправо.

11 Чтобы заставить квадрокоптер перемещаться во время полета влево или вправо, осторожно переместите правый рычаг влево или вправо.

12 Чтобы заставить квадрокоптер перемещаться во время полета вперед или назад, осторожно переместите правый рычаг вперед или назад.

Запуск роторов/двигателя

13 a Для запуска двигателя нажмите кнопку «Start/Stop rotors» на контроллере. При начале работы роторов вы можете начать подъем, перемещая рычаг газа вверх.

Используйте секундомер

13 b Выберите время для обратного отсчёта до автоматического взлёта, нажав на кнопку MIN или SEC.

Нажмите на кнопку ST, чтобы начать обратный отсчет. Короткое нажатие на ST = перерыв. За счёт более длительного нажатия (5 сек) вы можете сбросить установленное время.

Как только обратный отсчёт времени достигает 0:00, квадрокоптер запускается и взлетает на высоту 1 м. Время отсчитывается в автоматическом режиме.

Нажатием на кнопку ST вы снова останавливаете секундомер. За счёт более длительного нажатия (5 сек) вы можете сбросить установленное время.

Переключатель режимов для начинающих/продвинутых пилотов

ВНИМАНИЕ! 100% ТОЛЬКО ДЛЯ ОПЫТНЫХ ПИЛОТОВ!

13 c 30% = режим для начинающих пилотов
При переключении звуковой сигнал раздаётся один раз.

60% = средний режим

Квадрокоптер реагирует более чувствительно, чем в режиме 30%. При переключении звуковой сигнал раздаётся дважды.

100% = режим для продвинутых пилотов -> режим 3D

Квадрокоптер реагирует очень чувствительно на команды управления. При переключении звуковой сигнал раздаётся трижды.

Автоматический контроль высоты

14 После того как в процессе полёта вы отпустите левый джойстик, квадрокоптер автоматически поддерживает актуальную высоту.

Auto Landing

15 Нажатием на кнопку «Auto Landing» вы в любой момент можете задействовать функцию автоматической посадки. При этом скорость вращения роторов медленно уменьшается. Во время процедуры посадки вы всегда можете повлиять на позицию посадки, перемещая правый джойстик. После приземления квадрокоптера двигатели выключаются.

Auto-Start & Fly to 1 m

16 Нажатием кнопки «Auto-Start & Fly to 1 m» на контроллере производится запуск двигателей и в автоматическом режиме начинается полёт на высоте примерно 1 м. В процессе запуска у вас всегда есть возможность, перемещая джойстик вправо, повлиять на направление движения. Поднявшись в воздух примерно на 1 метров, квадрокоптер автоматически сохраняет эту высоту.

Триммирование квадрокоптера

17 **Автоматическое триммирование**

1. Установите квадрокоптер на горизонтальную поверхность.
2. Установите соединение квадрокоптера с контроллером, как описано в разделе «Привязка модели к контроллеру».
3. Одновременно установите рычаг газа и рычаг для перемещения перед/назад в правый нижний угол. Светодиод на квадрокоптере коротко мигает, а затем начинает светиться постоянно. Звуковой сигнал прозвучит 1х.
4. Установка в нейтральном положении завершена.

18 Если в режиме висения квадрокоптер начинает перемещаться влево или вправо без нажатия рычага для наклона вправо-влево, действуйте следующим образом:

Если квадрокоптер самопроизвольно начинает быстро или медленно совершать боковое перемещение влево, постепенно нажимайте вправо нижний правый триммер для наклона вправо-влево. Если квадрокоптер начинает перемещаться вправо, постепенно нажимайте влево триммер для наклона вправо-влево.

19 Если в режиме висения квадрокоптер начинает перемещаться вперед или назад без нажатия рычага для перемещения вперед-назад, действуйте следующим образом:

Если квадрокоптер самопроизвольно начинает быстро или медленно перемещаться вперед, постепенно нажимайте вниз верхний правый триммер для перемещения вперед-назад. Если квадрокоптер начинает перемещаться назад, постепенно нажимайте вверх триммер для перемещения вперед-назад.

20 Если в режиме висения квадрокоптер начинает вращаться влево или вправо без нажатия рычага для вращения по кругу на месте, действуйте следующим образом: Если квадрокоптер самопроизвольно начинает быстро или медленно вращаться влево вокруг собственной оси, постепенно нажимайте вправо нижний левый триммер для вращения по кругу. Если квадрокоптер начинает вращаться вправо, постепенно нажимайте влево триммер для вращения по кругу.

Смена лопастей

21 Для снятия лопасти используйте узкий гладкий предмет. Обратите внимание на то, что лопасть необходимо осторожно вытащить перпендикулярно вверх, устойчиво придерживая при этом двигатель снизу. Снова прикрепите лопасть к квадрокоптеру с помощью болта.

22 **QR-код для системы замены двигателя и запасных частей, а также для прочей информации.**

23 **ВНИМАНИЕ!** Обязательно следите за маркировкой и цветом, а также углом наклона лопастей!

Спереди слева: красный цвет – маркировка «А»
Спереди справа: красный цвет – маркировка «В»
Сзади справа: черный цвет – маркировка «В»
Сзади слева: черный цвет – маркировка «А»

Защитная клетка ротора

24 Защитная клетка ротора является съемной. Для этого отвинтите по одному винту для каждого ротора (находится под пропеллером).
СОВЕТ: не снимайте защитную клетку ротора до тех пор, пока не выполните 10-20 полетов и не будете чувствовать себя достаточно уверенно

Решения проблем

Проблема: Контроллер не работает.

Причина: Выключатель ON/OFF находится в положении «OFF».

Решение: Установите выключатель ON/OFF в положение «ON».

Причина: Неправильно установлены батарейки.

Решение: Проверьте, правильно ли установлены батарейки.

Причина: Батарейки недостаточно заряжены.

Решение: Вставьте новые батарейки.

Проблема: Квадрокоптером невозможно управлять с помощью контроллера.

Причина: Выключатель контроллера установлен в положение «OFF».

Решение: Установите сначала выключатель в положение «ON».

Причина: Контроллер неправильно соединен с приемным устройством в квадрокоптере.

Решение: Выполните процесс привязки, как описано в главе «Контрольный список для подготовки к полету».

Проблема: После того как в процессе полёта вы отпустите левый джойстик, квадрокоптер автоматически поддерживает актуальную высоту.

Причина: Кнопка «Start-Rotors» на контроллере не нажата.

Решение: Нажать кнопку «Start-Rotors» на контроллере.

Проблема: Квадрокоптер не поднимается в воздух.

Причина: Лопасты вращаются слишком медленно.

Решение: Переместите рычаг газа наверх.

Причина: Мощность аккумулятора недостаточна.

Решение: Зарядите аккумулятор (см. раздел «Зарядка аккумулятора»).

Проблема: Квадрокоптер теряет скорость и высоту во время полета без видимой причины.

Причина: Аккумулятор слишком слаб.

Решение: Зарядите аккумулятор (см. раздел «Зарядка аккумулятора»).

Проблема: Квадрокоптер вращается только по кругу или переворачивается при взлете.

Причина: Неправильно расположенные или поврежденные лопасти.

Решение: Прикрепите/замените лопасти, как описано в пунктах **21** **22** **23**.

Ошибки и изменения не исключены

Цвета / окончательный дизайн – возможны изменения

Возможны технические и обусловленные дизайном изменения

Пиктограммы = фотографии символов

AUSTRIA

Stadlbauer Marketing + Vertrieb GmbH
 Rennbahn Allee 1
 5412 Puch / Salzburg - Austria
 Phone +43 662 98 921-0
 Fax +43 662 98 921-512
 Internet www.carrera-rc.com

GERMANY

Stadlbauer Marketing + Vertrieb GmbH
 Rennbahn Allee 1
 5412 Puch / Salzburg - Austria
 Phone +49 811 7099-0
 Fax +49 811 7099-119
 Internet www.carrera-rc.com

HONG KONG

Stadlbauer (HK) Ltd.
 Room 1917, North Tower
 Concordia Plaza
 1 Science Museum Road
 Tsimshatsui East - Kowloon
 Hong Kong
 Phone +852 2722 0620
 Fax +852 2367 0792
 Internet www.carrera-rc.com

USA / CANADA

Carrera of America Inc.
 2 Corporate Drive
 Cranbury, NJ 08512 - USA
 Phone +1 609 409 8510
 Fax +1 609 409 8610
 Email reception@carrera-toys.com
 Internet www.carrera-rc.com

BENELUX

Stadlbauer Marketing + Vertrieb GmbH
 Lendseherlaan 33
 8114 MP Susteren - Netherlands
 Email service.benelux@carrera-toys.com
 Internet www.carrera-rc.com

FRANCE

Stadlbauer Marketing + Vertrieb GmbH
 21 B. Route Nationale
 Domaine de L'Harcandrie
 59320 Ennetieres-En-Weppes - France
 Phone +33 3 20384893
 Fax +33 3 20384893
 Email carrera-toys@orange.fr
 Internet www.carrera-rc.com

SPAIN / PORTUGAL / LATIN AMERICA

Stadlbauer Iberia SLU
 Calle Fluvia 97, 1º 2º
 08019 Barcelona - Spain
 Phone +34 93 3036335
 Email contacto@carrera-toys.com
 Internet www.carrera-rc.com

HUNGARY

Magyarorszag Importer
Stadlbauer Marketing + Vertrieb GmbH
 Rennbahn Allee 1
 5412 Puch / Salzburg - Austria
 Phone +36 305556 502
 Email office@stadlbauer-toys.hu
 Internet www.carrera-rc.com
Service:
 GAME PARK - VINCEZE ZOLTAN
 Berky Lili utca 36. - 1171 Budapest
 Hungary
 Phone +36 1 259-7809
 Email vinzol@t-online.hu

ITALY

Stadlbauer Marketing + Vertrieb GmbH
 Rennbahn Allee 1
 5412 Puch / Salzburg - Austria
 Phone +39 0735 681084
 Email assistenza@carrera-toys.com
 Internet www.carrera-rc.com

Service:
 Model Assistance s.r.l.
 Via Guadiana 24
 42124 Reggio Emilia - Italy
 Phone +39 988 4275395
 Email assistenza@carrera@radiokontrol.it

POLAND

Stadlbauer Marketing + Vertrieb GmbH
 Rennbahn Allee 1
 5412 Puch / Salzburg - Austria
 Phone +49 515-056-236
 Mobile +48 71 393 78 10
 Email office@stadlbauer-toys.pl
 Internet www.carrera-rc.com

Service:
 REKMAN B2B IT
 Ul. Europejska 4, Magnice
 65-040 Kobierzycze - Poland
 Phone +48 515-056-236
 Mobile +48 71 393 78 10
 Email serwis-carrera@rekman.com.pl

CARRERA DISTRIBUTORS

AUSTRALIA

Zimbler Pty Ltd.
 899 Heidelberg Road
 Ivanhoe, Victoria 3079 - Australia
 Phone +61 3 94811000
 Fax +61 3 94972311
 Email sales@zimbler.com.au
 Internet www.zimbler.com.au

BULGARIA

Ivanchev Ltd.
 76a, Maria Luiza Blvd.
 1202 Sofia - Bulgaria
 Phone +359 283 22020
 Fax +359 283 22020
 Email ivanchev@del.bg

CHINA

Shanghai Wowgame
 Commercial Company Ltd.
 Room 110, Tower 1,
 German Centre,
 98 Keyuan Road,
 (Zhangjiang Hi-Tech Park),
 Pudong,
 201203 Shanghai - China
 Phone +86 21 53821692
 Mobile +86 155 77449439
 Email eddychan@wowgame.com.cn
 Internet www.wowgame.net.cn

CYPRUS

TGW TOYS GAMES WORLD LTD
 38 Spyrou Kyprianou Street
 10443 Potamos Germasogias,
 Limassol - Cyprus
 Phone +357 25 430043
 Email info@toytower.com
 Internet www.toytower.com

CZECH REPUBLIC

ConQuest entertainment a.s.
 Hlobetinška 11
 198 00 Praha 9 - Hlobetin
 Czech Republic
 Phone +420 284 000 111
 Fax +420 284 000 101
 Email radim.kalou@conquest.cz
 Internet www.cqe.cz

DENMARK / SWEDEN / NORWAY / FINLAND / ICELAND

Tactic Games OY
 Raumanjuntantie 2
 P.O. Box 4444
 28101 Porri - Finland
 Phone +358 2 684 4144
 Fax +358 2 624 4211
 Email info@tactic.net
 Internet www.tactic.net

ESTONIA

Annel Ltd.
 Madikse 7
 74114 Maardu - Estonia
 Phone +372 63 88 100
 Fax +372 63 88 101
 Email anv@anv.ee
 Internet www.anv.ee

GREECE

Enarxis Dynamic Media Ltd.
 68, Iliou Street
 11 744, Neos Kosmos
 Athens - Greece
 Phone +30 2109021900
 Fax +30 2109028700
 Email info@enarxis.eu
 Internet www.enarxis.eu

HONG KONG

Chun Lee (HK) Industrial Limited
 RM, 1801-5, 18/F,
 King Palace Plaza,
 52A Sha Tsui Road,
 Tsim Wan
 N.T. Hong Kong
 Phone +852 910 36679
 Email eddychan@yu-lee.com

INDONESIA

PT. Toys Games Indonesia
 Kawan Lama Building,
 7th Floor
 Jl. Puri Kencana No. 1
 Mervaya - Kembangan
 Jakarta 11610 - Indonesia
 Phone +62 21 58290-06
 Fax +62 21 58290-16
 Email smile@toyskingdom.co.id
 Internet www.toyskingdom.co.id

ISRAEL

TOP PLAY ISRAEL (T.P.I.) LTD
 Po. Box 7823 Kiryat Matlan
 Petach-Tikva,
 49250 - Israel
 Phone +972 3 9323767
 Mobile +972 52 8338966
 Fax +972 3 9086074
 Email top-play@012.net.il
 Internet www.TopPlay-toys.com

LEBANON

F AOUAD
 P.O. Box 1565 Jounieh Lebanon
 Twin Towers Building Bk A
 Sarba High Way
 Jounieh - Lebanon
 Phone +961 3 840505
 Fax +961 9 635479
 Email riad.ouad@faouad.com

MONGOLIA

Circle LLC
 Encanto Town
 District Bayanzurkh 26th khoroo
 kh Mongol State Street
 210523 Ulaanbaatar - Mongolia
 Phone +976 77073034
 Fax +976 11 305646
 Email import1@orgil.mn
 Internet www.orgil.mn

NEW ZEALAND

FW Cave Ltd.
 15 Old North Road
 P.O. Box 278,
 Kumeu 0841
 Auckland - New Zealand
 Phone +64 9 4157 766
 Fax +64 9 4157 089
 Email sales@fwcave.co.nz
 Internet www.fwcave.co.nz

RUSSIA

Unitoys MSK Ltd.
 Mnevniky, 7-2
 123308 Moscow - Russia
 Phone +7 495 276 0286
 Fax +7 499 946 4616
 Email office@unitoys.ru
 Internet www.unitoys.ru

SERBIA / MONTENEGRO

CoolPlay d.o.o.
 Dr. Nika Miljanica 18
 11000 Belgrade - Serbia
 Phone +381 65 8026620
 Email office@coolplay.rs

SWITZERLAND

Waldmaier AG
 Neustrasse 50
 4623 Neuendorf - Switzerland
 Phone +41 62 387 98 18
 Fax +41 62 387 98 20
 Email info@waldmaier.ch
 Internet www.waldmaier.ch

TURKEY

SUNMAN SAN, MAM. İTH. İHR. ve TIC. A.Ş.
 CoolPlay d.o.o.
 Turgt Ozal Cad. No.125
 41420 Cayirova / Kocaeli, Turkey
 Phone +90 216 499 80 20
 Fax +90 216 314 67 20
 Email info@sunman.com.tr
 Internet www.sunman.com.tr

UNITED KINGDOM

The Hobby Company Ltd.
 Garforth Place, Knowlhill
 Milton Keynes MK5 8PG - UK
 Phone +44 1908 209480
 Fax +44 1908 209480
 Email enquiries@hobbyco.net
 Internet www.hobbyco.net

UNITED ARAB EMIRATES

ToyWorld Distribution
 P.O. Box 289, Gibra Building
 Al Wahda Street, Sharjah - UAE
 Phone +971 6 5337418
 Fax +971 6 5336682
 Email info@toyworlduae.com
 Internet www.toyworlduae.com

VIETNAM

Viet Tinh Anh JSC
 V33-35 Street 04, Him Lam,
 Tan Hung ward,
 Dist. 7, Ho Chi Minh City - Vietnam
 Phone +84 8 54318717
 Fax +84 8 54318716
 Email info@viettinhanh.com.vn
 Internet www.viettinhanh.com.vn

