

# USS INTREPID

Revell

0462-3800

REVELL-MONOGRAM, LLC Northbrook, IL. Copyright ©2004. All rights reserved.

PRINTED IN GERMANY

The aircraft carrier U.S.S. Intrepid was the fourth ship in the United States Navy to bear the name. (The original Intrepid was a small ketch used by Stephen Decatur when he burned the captured frigate Philadelphia in Tripoli Harbor in 1804.) Of the Essex class, the Carrier Intrepid was launched on April 26, 1943, and commissioned in August of the same year.

Her first action in World War II came when Intrepid joined with the carriers Cabot and Essex for attacks on Kwajalein Atoll on January 29, 1944. During these raids 83 Japanese planes were destroyed. With the capture of Kwajalein and the Marshall Islands, Intrepid was ordered to Truk.

On the night of February 17, 1944, a Japanese torpedo bomber slipped by the Allied defenses and fired a torpedo into Intrepid's hull striking her fifteen feet below the waterline on her starboard side. The torpedo exploded jamming her rudder hard to port and flooding several compartments. In order to maintain control and still make headway, her captain ordered full power on her left screw and idled the starboard engine. After two days of running in this manner, a windstorm arose and began swinging the ship back and forth keeping her bow pointed toward Tokyo. Right then the captain admitted, "I wasn't interested in going in that direction". As has often been said, "necessity is the mother of invention"; and an ingenious crew devised a huge sail made from hatch covers and scraps of canvas to swing the carrier around and keep her on course. There was more than one puzzled observer that watched Intrepid "sail" into

Pearl Harbor on February 24, 1944, decorated by her patchwork quilt sail.

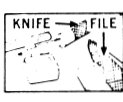
Following temporary repairs at Pearl Harbor, Intrepid sailed for California. Here she was repaired and on June 9, she was ready for action once more. Intrepid was active in many of the assaults on the Japanese held islands and on November 25, 1944, she was hit by two Kamikaze suicide planes. Within two hours her fires had been extinguished, and Intrepid had remained in the fight without losing her position. On March 18, 1945, another Kamikaze attempt failed when a "Betty" bomber exploded off Intrepid's bow showering her with flaming gasoline and debris.

After the war, Intrepid made naval history by becoming the first carrier to use American-built steam catapults. In 1957, Intrepid received an angled flight deck and began several years of operations in the Atlantic. In 1965, she served as the recovery ship for the Gemini space program and retrieved astronauts, Grissom and Young and their spacecraft, "Molly Brown".

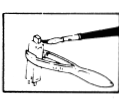
#### U.S.S. Intrepid CV-11 Specifications

<b>Launched:</b>	April 26, 1943
<b>Commissioned:</b>	August 16, 1943
<b>Length:</b>	872 feet
<b>Beam:</b>	147 feet 6 inches
<b>Draft:</b>	28 feet 7 inches
<b>Displacement:</b>	27,100 tons
<b>Speed:</b>	33 knots
<b>Crew Complement:</b>	3,448 men
<b>Over 80 aircraft could be carried</b>	

**GET YOUR TOOLS READY: ★ ★ ★ BEFORE YOU BEGIN ★ ★ ★**



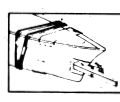
**FILE TO REMOVE EXCESS PLASTIC**  
KNIFE TO DETACH AND TRIM PARTS



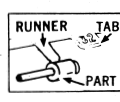
**TWEEZERS TO PICK UP AND HOLD SMALL PARTS**



**PAINT BRUSH TOOTH PICK**  
**CEMENT USE TOOTH PICK PAINT BRUSH OR PIN TO APPLY IT**



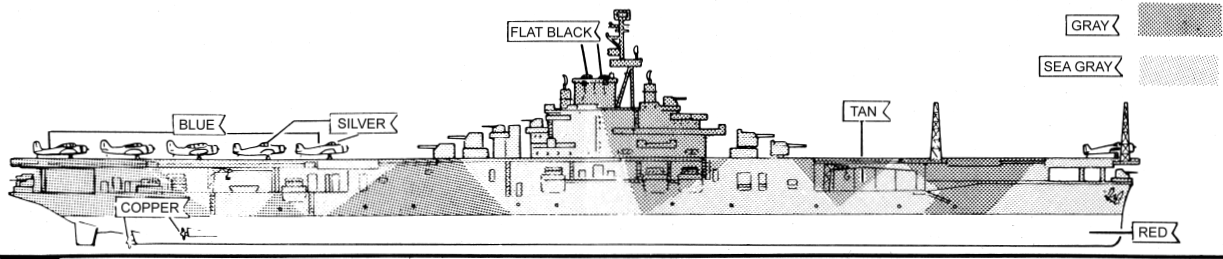
**TAPE AND CLOTHES PINS TO CLAMP AND HOLD PARTS UNTIL THEY ARE DRY**



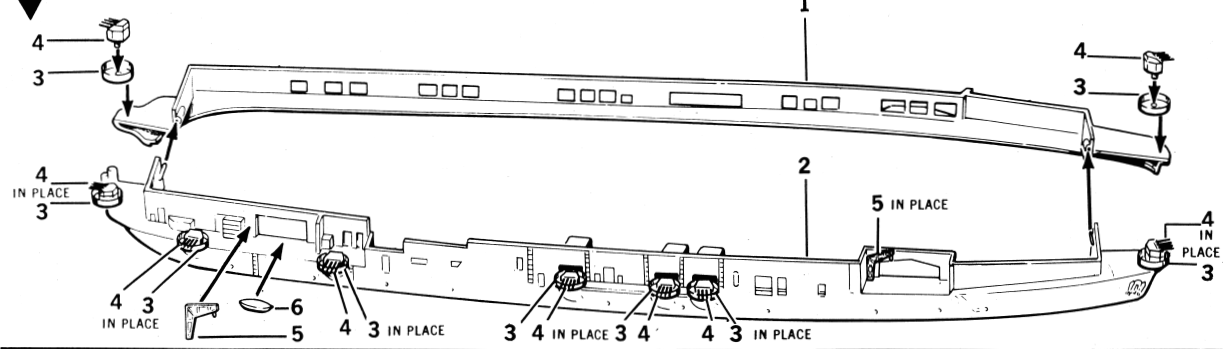
**DO NOT DETACH PARTS UNTIL YOU ARE READY TO USE THEM!**  
PARTS ARE NUMBERED TO HELP YOU FIND THEM. LOOK FOR THE NUMBER ON TAB NEXT TO PART OR ON PART ITSELF.

FIRST, FIT PARTS TOGETHER and TRIM EXCESS PLASTIC. THEN, APPLY CEMENT SPARINGLY. Too much cement will damage your model. Use a toothpick, pin or small paint brush to apply cement. If you wish to stop at any point during the construction of your model do so at the end of an Assembly Step.

IF YOU WISH TO PAINT YOUR MODEL – See illustration below.  
 • Paint small parts **before** detaching from runner.  
 • Start with the lighter colors.  
 • Scrape off paint where cement is to be applied. Cement will not work on paint.

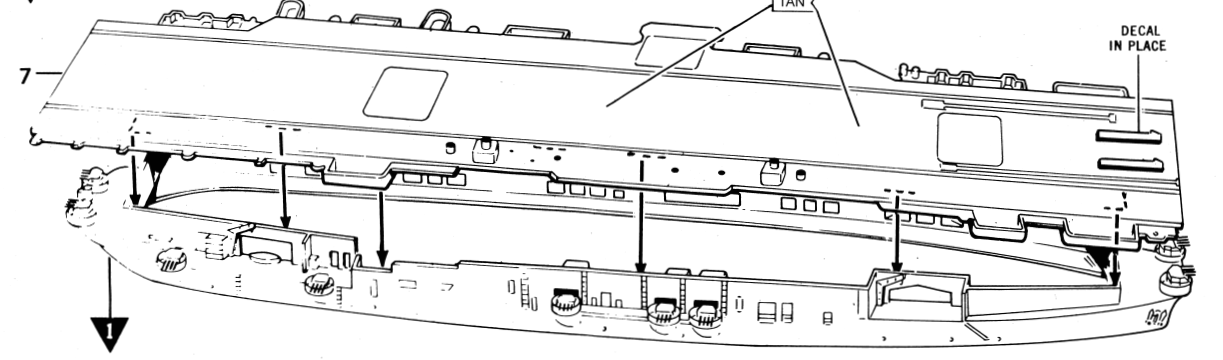


**1 UPPER HULL ASSEMBLY**



PARTS LIST	ASSEMBLY INSTRUCTIONS 1
1 HULL SIDE — LEFT	1. Cement HULL SIDE — LEFT Part (1) to HULL SIDE — RIGHT (2).
2 HULL SIDE — RIGHT	2. Cement 9 GUN TUBS (3) to positions on BOW, STERN and HULL SIDE — RIGHT.
3 GUN TUBS (9 Pieces)	3. Cement 9 40mm QUAD GUNS (4) into GUN TUBS.
4 40mm QUAD GUNS (9 Pieces)	4. Cement 2 CRANES (5) to positions against bulkheads on HULL SIDE — RIGHT.
5 CRANES (2 Pieces)	5. Cement BOAT (6) to DECK under the rear CRANE.
6 BOAT	

**2 FLIGHT DECK AND UPPER HULL ASSEMBLY**

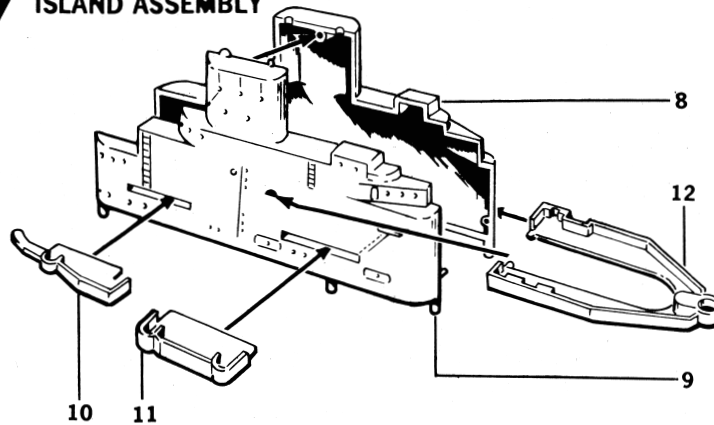


PARTS LIST	ASSEMBLY INSTRUCTIONS 2
7 FLIGHT DECK	1. Cement FLIGHT DECK (7) to top of UPPER HULL ASSEMBLY from Step 1. Be sure to locate tabs on underside of FLIGHT DECK to inside of HULL halves.
	2. Apply DECAL to front of FLIGHT DECK as shown.

## PARTS LIST

- 8 ISLAND — LEFT HALF
- 9 ISLAND — RIGHT HALF
- 10 REAR WALKWAY
- 11 FORWARD WALKWAY
- 12 FLAG BRIDGE

## 3 ISLAND ASSEMBLY

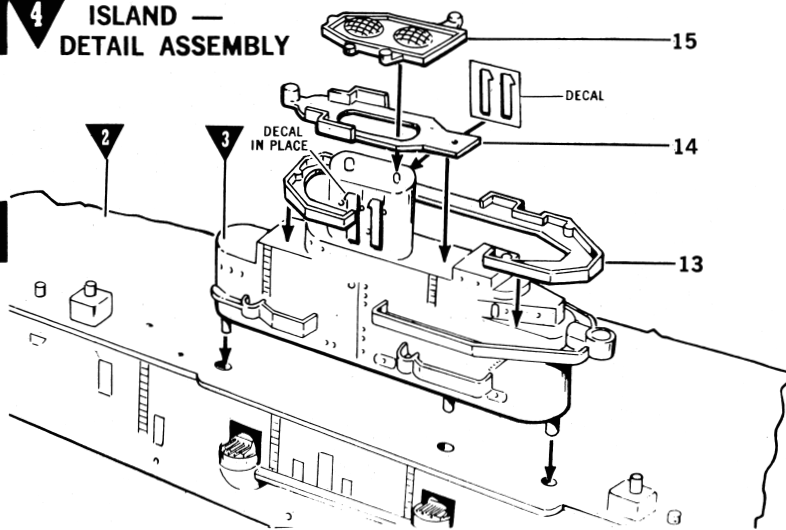


## ASSEMBLY INSTRUCTIONS

1. Cement ISLAND — LEFT HALF (8) to ISLAND — RIGHT HALF (9).
2. Cement REAR WALKWAY (10) to right side of ISLAND at the rear.
3. Cement FORWARD WALKWAY (11) to right side of ISLAND, forward.
4. Cement FLAG BRIDGE (12) to forward end and sides of ISLAND.

## PARTS LIST

- 13 NAVIGATION BRIDGE
- 14 FIRE CONTROL BRIDGE
- 15 SMOKE STACK SHIELD

4 ISLAND —  
DETAIL ASSEMBLY

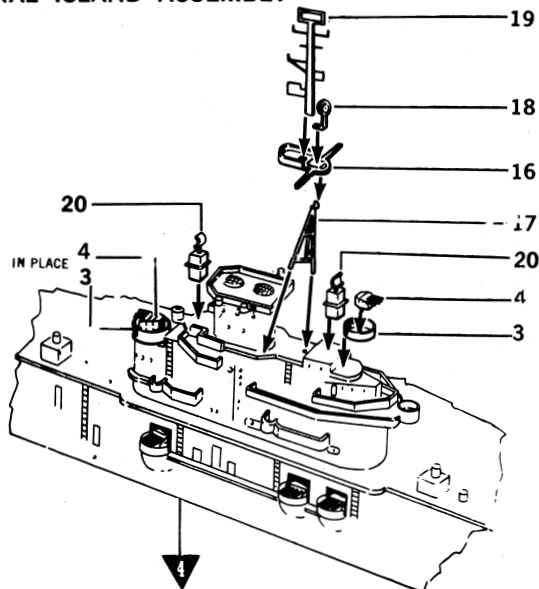
## ASSEMBLY INSTRUCTIONS

1. Cement NAVIGATION BRIDGE (13) to left side and each end of ISLAND from Step 3.
2. Slide FIRE CONTROL BRIDGE (14) over SMOKE STACK and cement to top of ISLAND.
3. Cement SMOKE STACK SHIELD (15) to top of SMOKE STACK.
4. Cement this ASSEMBLY to FLIGHT DECK and UPPER HULL ASSEMBLY from Step 2.
5. Apply DECALS to both sides of SUPER-STRUCTURE as shown.

## PARTS LIST

- 3 GUN TUBS (2 Pieces)
- 4 40mm QUAD GUNS (2 Pieces)
- 16 RADAR PLATFORM
- 17 TRIPOD MAST
- 18 RADAR SCREEN
- 19 UPPER MAST
- 20 RADAR DIRECTORS (2 Pieces)

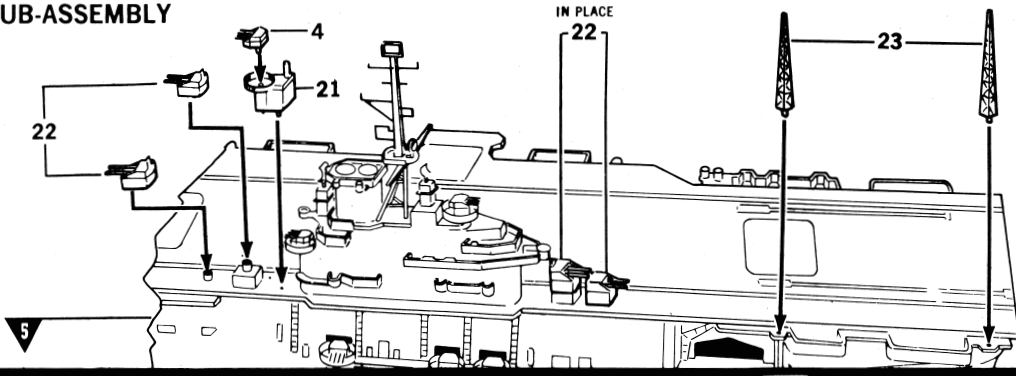
## 5 FINAL ISLAND ASSEMBLY



## ASSEMBLY INSTRUCTIONS

1. Cement RADAR PLATFORM (16) to top of TRIPOD MAST (17). Cement this assembly to FIRE CONTROL BRIDGE and let dry.
2. Cement 2 GUN TUBS (3), one on forward top of ISLAND and one at rear of ISLAND.
3. Cement 2 40mm QUAD GUNS (4) into GUN TUBS.
4. Cement RADAR SCREEN (18) to forward end of RADAR PLATFORM.
5. Cement UPPER MAST (19) to RADAR PLATFORM.
6. Cement 2 RADAR DIRECTORS (20), one on top of ISLAND and one at rear of FIRE CONTROL BRIDGE.

## 6 DECK SUB-ASSEMBLY



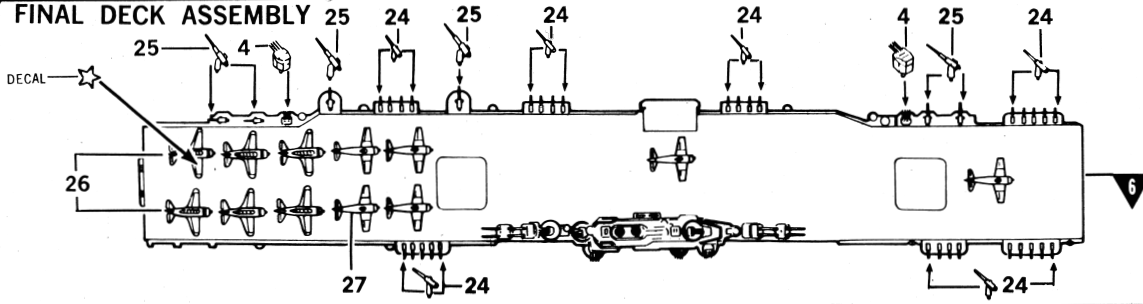
### PARTS LIST

- 4 40mm QUAD GUN
- 21 STORAGE LOCKER
- 22 5"-38 GUN TURRETS (4 Pieces)
- 23 RADIO TOWERS (2 Pieces)

### ASSEMBLY INSTRUCTIONS

1. Cement 1 40mm QUAD GUN (4) into GUN TUB on top of STORAGE LOCKER (21) and cement this ASSEMBLY to FLIGHT DECK at rear of ISLAND.
2. Cement 4 5"-38 GUN TURRETS (22) to locations on FLIGHT DECK.
3. Cement 2 RADIO TOWERS (23) to right side, forward on FLIGHT DECK.

## 7 FINAL DECK ASSEMBLY



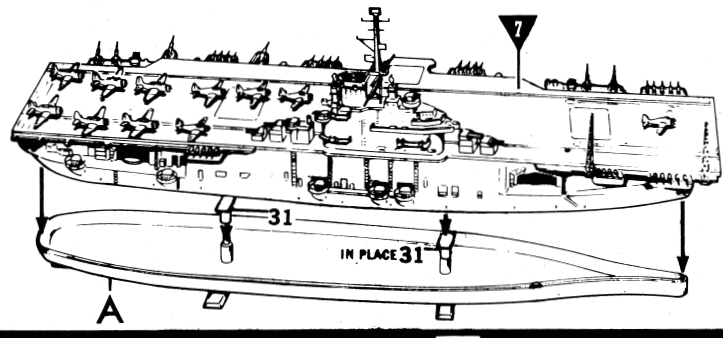
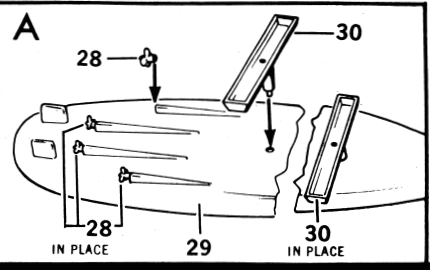
### PARTS LIST

- 4 40mm QUAD GUNS (2 Pieces)
- 24 20mm GUNS (31 Pieces)
- 25 5"-38 GUNS (6 Pieces)
- 26 HELLDIVER AIRPLANES (6 Pieces)
- 27 HELLCAT AIRPLANES (6 Pieces)

### ASSEMBLY INSTRUCTIONS

1. Cement 31 20mm GUNS (24) to GUN PLATFORMS along both sides of FLIGHT DECK in positions shown in illustration.
2. Cement 6 5"-38 GUNS (25) to GUN PLATFORMS on left side of FLIGHT DECK, see illustration.
3. Cement 2 40mm QUAD GUNS (4) to GUN PLATFORMS on left side of FLIGHT DECK, see illustration.
4. Cement 6 HELLDIVER AIRPLANES (26) and 6 HELLCAT AIRPLANES (27) to FLIGHT DECK. Install DECALS.

## 8 FINAL ASSEMBLY



### PARTS LIST

- 28 PROPELLERS (4 Pieces)
- 29 LOWER HULL
- 30 STANDS (2 Pieces)
- 31 LOCATOR TUBES (2 Pieces)

### ASSEMBLY INSTRUCTIONS

1. Cement 4 PROPELLERS (28) to LOWER HULL (29), see illustration A.
2. Cement 2 STANDS (30) to bottom of LOWER HULL, see illustration A.
3. PLACE, DO NOT CEMENT, 2 LOCATOR TUBES (31) over PINS inside LOWER HULL. Put a drop of cement on top of each LOCATOR TUBE and carefully place the UPPER HULL ASSEMBLY from Step 7 on the LOWER HULL and let the cement on top of the LOCATOR TUBES dry to the underside of the FLIGHT DECK. After drying, the upper part of the SHIP may be removed to be displayed as a waterline model.