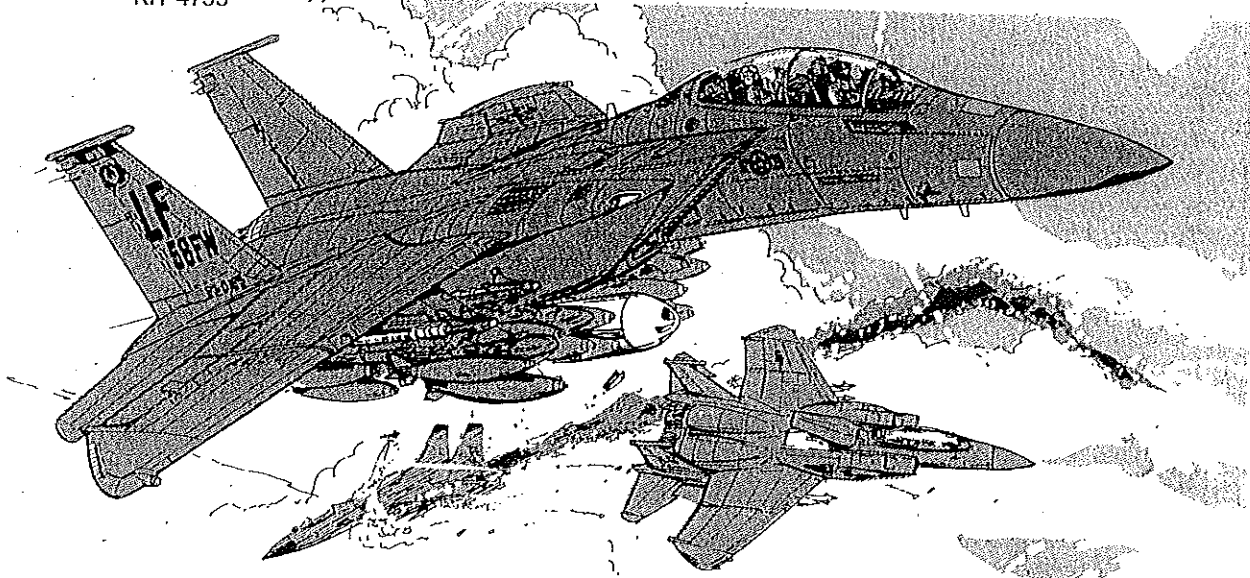


# Revell

KIT 4755

# McDONNELL-DOUGLAS F-15D/E STRIKE EAGLE

1/32 SCALE  
1/32 ESCHELLE  
ESCALA 1/32



REVELL, INC. Morton Grove, IL. Copyright © 1993. All rights reserved. Made in U.S.A.

4755 R 4200

The F-15E Strike Eagle is the most advanced combat aircraft in use today. It was designed for fighter-bomber deep into enemy territory with high weapons loads. The F-15E is powered by two Pratt-Whitney F-100 PW 220 Turbofan engines that generate 25,000 pounds worth of thrust for maximum speeds of Mach 2.4.

This F-15E is the personal aircraft of the Wing Commander, Brigadier General P.K. Gamble and his RIO, Lieutenant Colonel Ronald Hayden, 58th Fighter Wing at Luke Air Force Base, Glendale, Arizona. It is decorated with the unit badges of the squadrons under that command.

### READ THIS BEFORE YOU BEGIN

- Study the assembly drawings.
- Each plastic part is identified by a number.
- Check the fit of each piece before cementing into place.
- Do not use too much cement to join parts.
- Use only cement for polystyrene plastic.
- Model may be painted to match photos on box.
- Scrape paint from areas to be cemented.
- For better paint and decal adhesion, wash the plastic parts in a mild detergent solution.

- No use demasiado pegamento para unir las piezas.
- Use únicamente pegamento para plástico de poliestireno.
- El Modelo puede pintarse de acuerdo con las fotografías de la caja.
- Permítale que se seque la pintura completamente antes de fijar las piezas.
- Raspe la pintura de las superficies que serán pegadas.
- Para una mejor fijación la pintura y de las calcomanías, lavense las piezas plásticas en una solución de detergente suave. Enjuáguese y dejense secar al aire.

- Chaque pièce plastique porte un numéro d'identification.
- Contrôler que chaque pièce soit bien conforme avant de la coller à sa place.
- N'utilisez pas trop de colle pour réunir les pièces.
- Utilisez uniquement une colle spéciale pour polystyrene.
- Le modèle peut être conformément aux photos sur la boîte.
- Laissez sécher la peinture complètement, avant de manipuler les pièces.
- Grattez la peinture sur les surfaces devant être collées. Pour assurer la meilleure adhésion possible de la peinture et des calcomanías, laver les pièces de plastique avec une légère solution savonneuse. Rincer et laisser sécher à l'air.

### LEA ESTO ANTES DE EMPEZAR

- Estudie los dibujos de ensamblaje.
- Cada pieza de plástico se identifica por un número.
- Verifique que cada pieza encaje bien antes de pegar en posición.

### LISEZ CE QUI SUIT AVANT DE COMMENCER LE MONTAGE

- Etudiez les schémas d'assemblage.

**2X**

REPEAT SEVERAL TIMES  
À RÉPÉTER PLUSIEURS FOIS  
REPITA VARIAS VECES



REMOVE AND THROW AWAY  
À RETIRER ET JETER  
QUITE Y TIRE



DO NOT CEMENT  
NE PAS COLLER  
NO USE PEGAMENTO



DECAL (DIP IN WATER)  
DECALCOMANIE (À PLONDER DANS L'EAU)  
DECALCOMANIA (MOJE CON AGUA)

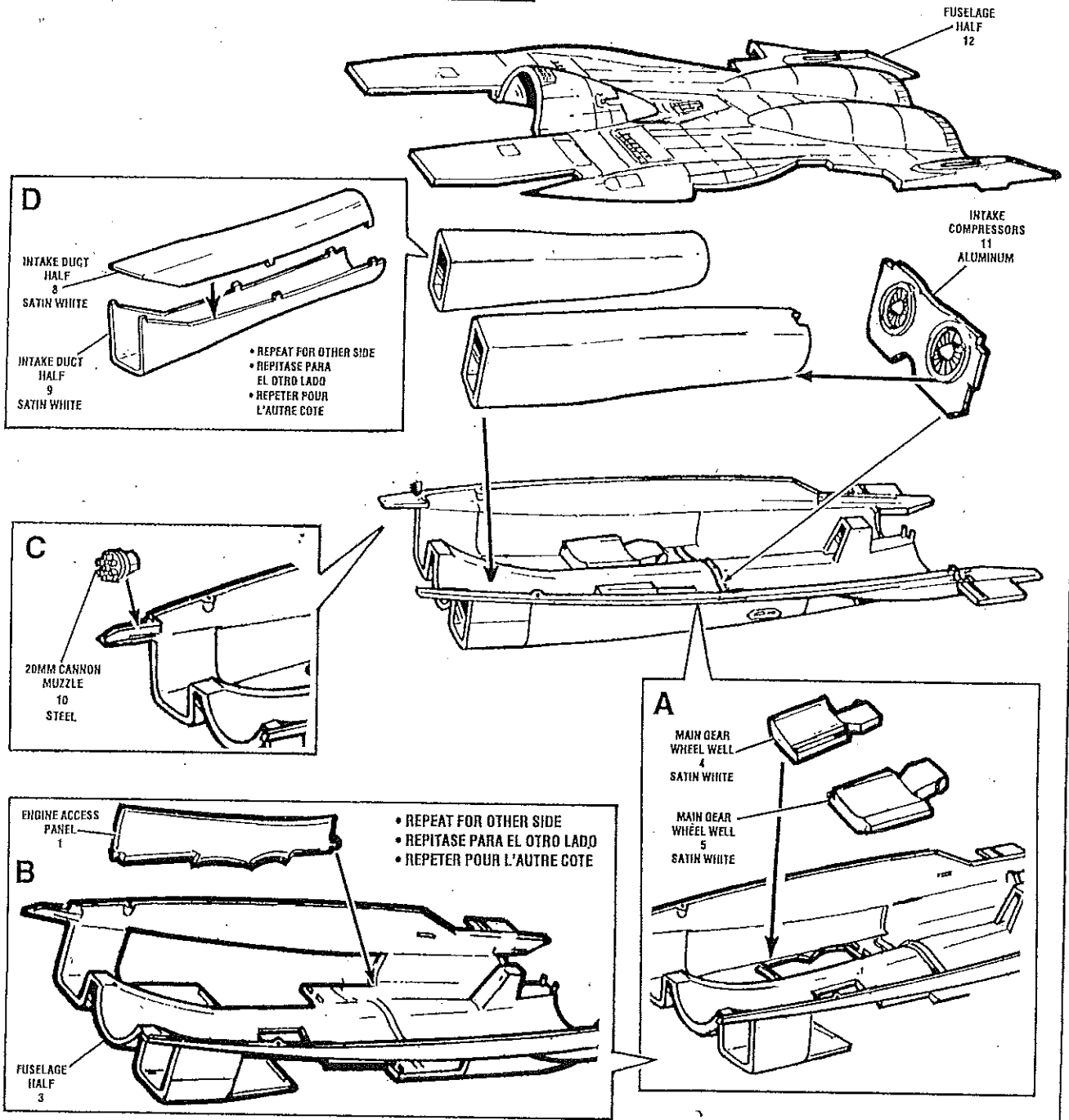


OPTIONAL PARTS  
PIECES EN OPTION  
PIEZAS OPCIONALES

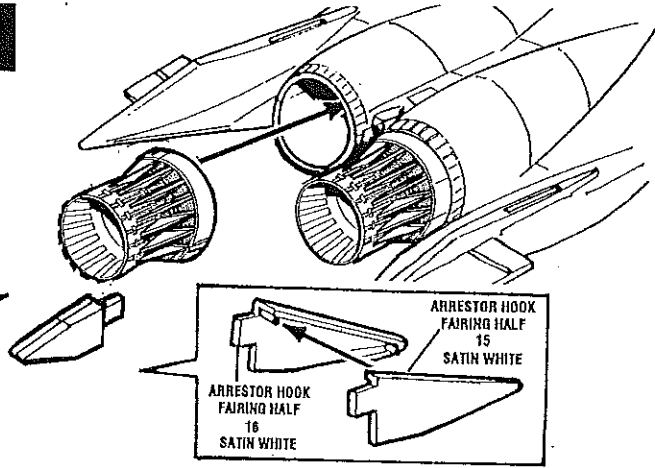
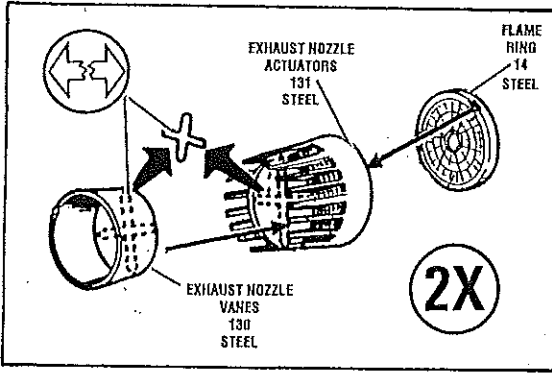


ALTERNATIVE ASSEMBLY  
ENSEMBLE ALTERNATIF  
ENSEMBLAGE ALTERNATIVE

# 1 MAIN FUSELAGE ASSEMBLY



# 2 ENGINE NOZZLES ASSEMBLY



# 3 FUSELAGE ASSEMBLY

ASSEMBLY FOR AIR SUPERIORITY VERSION

"D"



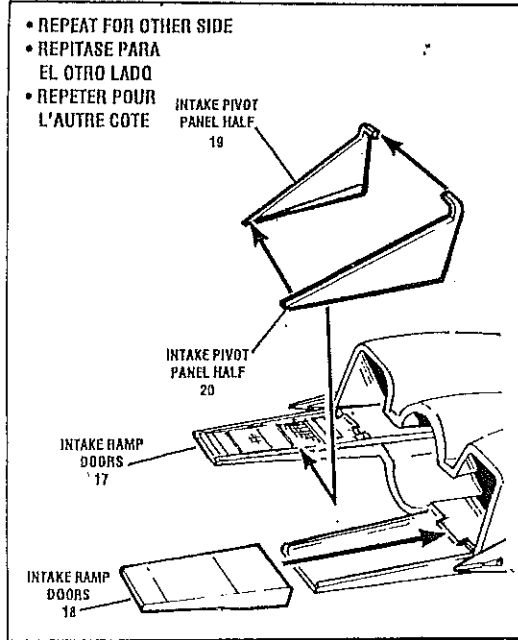
- REPEAT FOR OTHER SIDE
- REPITASE PARA EL OTRO LADO
- REPETER POUR L'AUTRE COTE

INTAKE PIVOT PANEL HALF 19

INTAKE PIVOT PANEL HALF 20

INTAKE RAMP DOORS 17

INTAKE RAMP DOORS 18

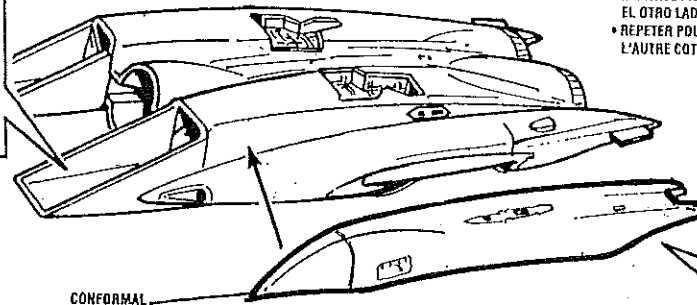


ASSEMBLY FOR GROUND SUPPORT VERSION

"E"



CONFORMAL FUEL TANK 25



- REPEAT FOR OTHER SIDE
- REPITASE PARA EL OTRO LADO
- REPETER POUR L'AUTRE COTE

SPARROW MISSILE LAUNCH RAIL 26

SPARROW MISSILE RACK 135

SPARROW MISSILE RACK 135

RIGHT FUSELAGE STRAKE 28

- REPEAT FOR OTHER SIDE
- REPITASE PARA EL OTRO LADO
- REPETER POUR L'AUTRE COTE



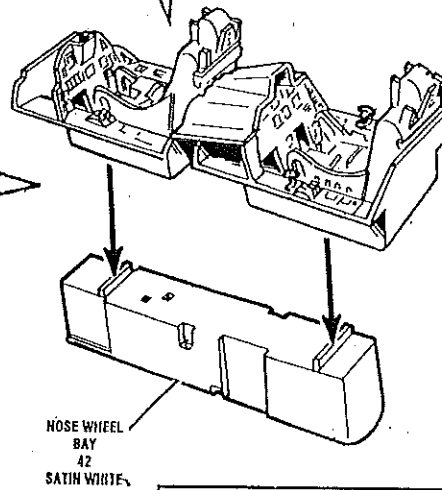
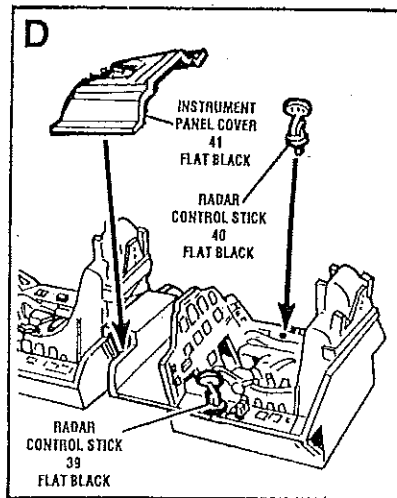
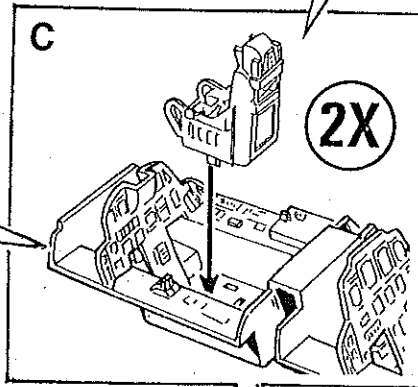
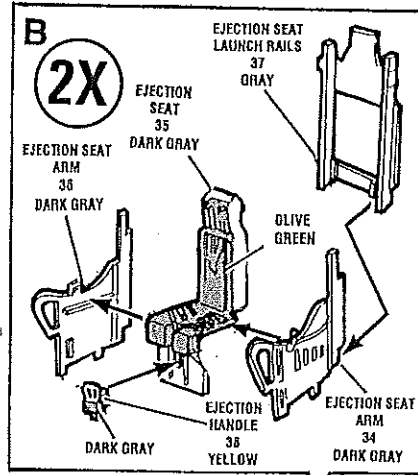
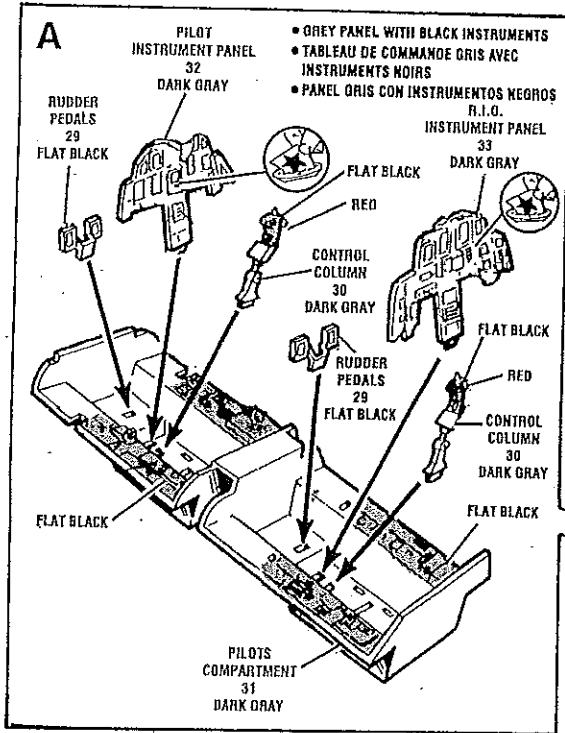
- REPEAT FOR OTHER SIDE
- REPITASE PARA EL OTRO LADO
- REPETER POUR L'AUTRE COTE

2X

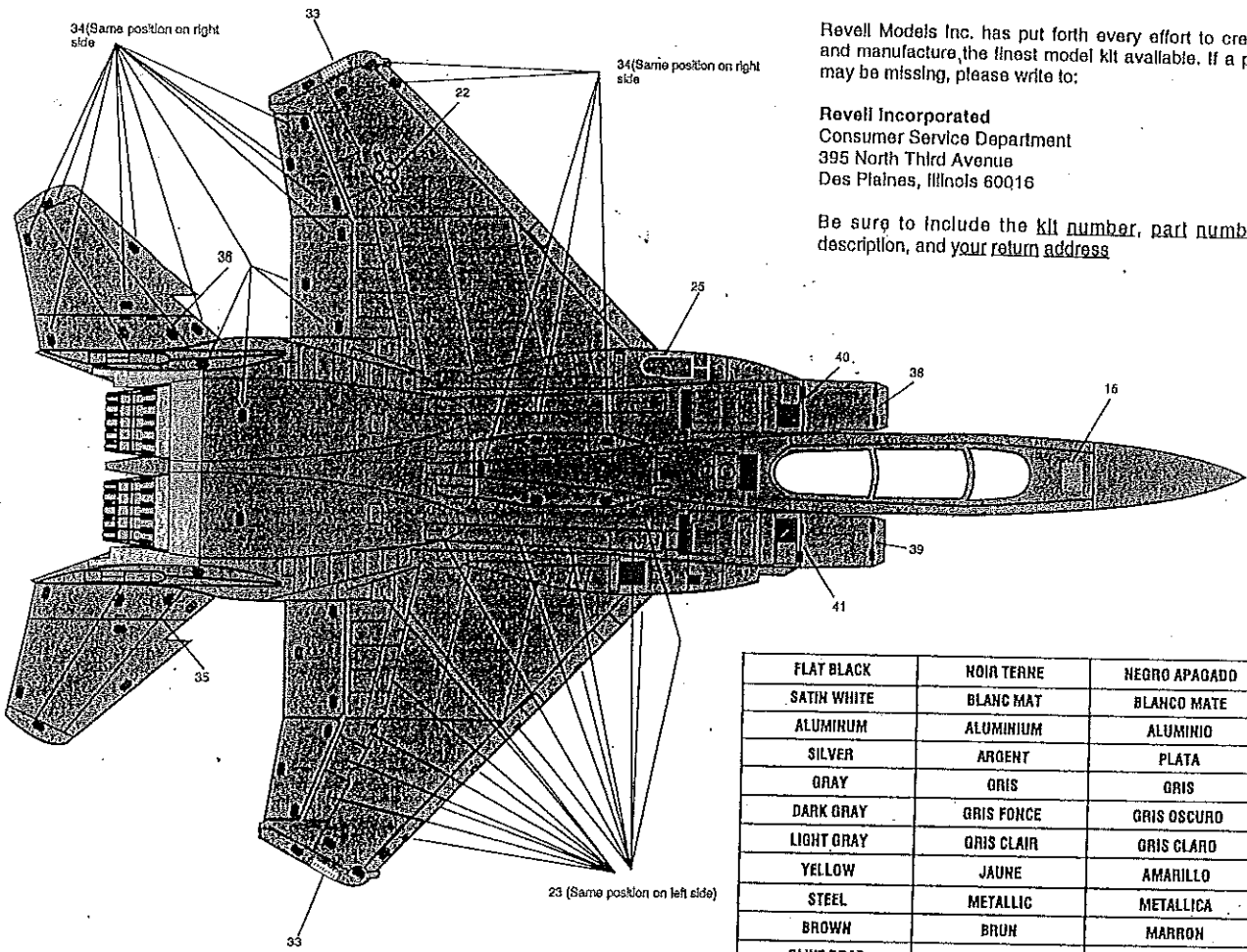
TI

W

# 4 COCKPIT ASSEMBLY



**COMPLETED ASSEMBLY**



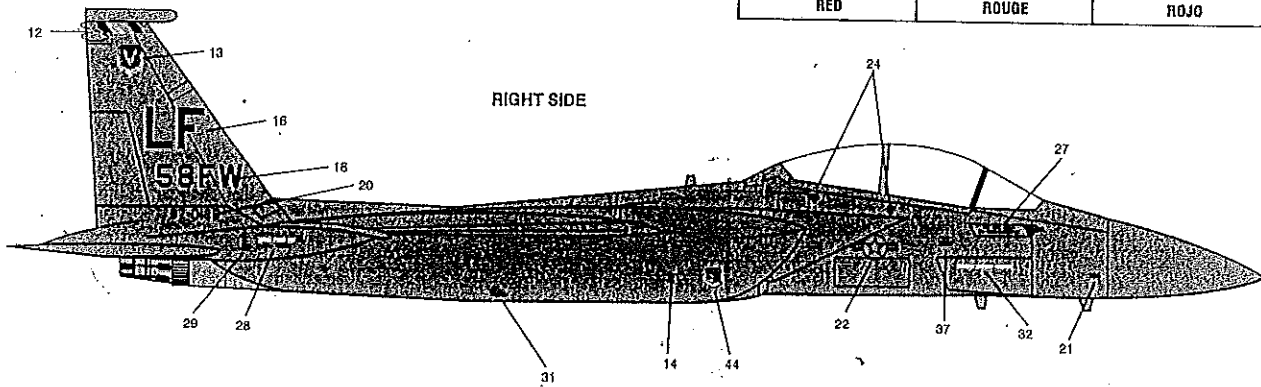
Revell Models Inc. has put forth every effort to create and manufacture the finest model kit available. If a part may be missing, please write to:

**Revell Incorporated**  
 Consumer Service Department  
 395 North Third Avenue  
 Des Plaines, Illinois 60016

Be sure to include the kit number, part number, description, and your return address

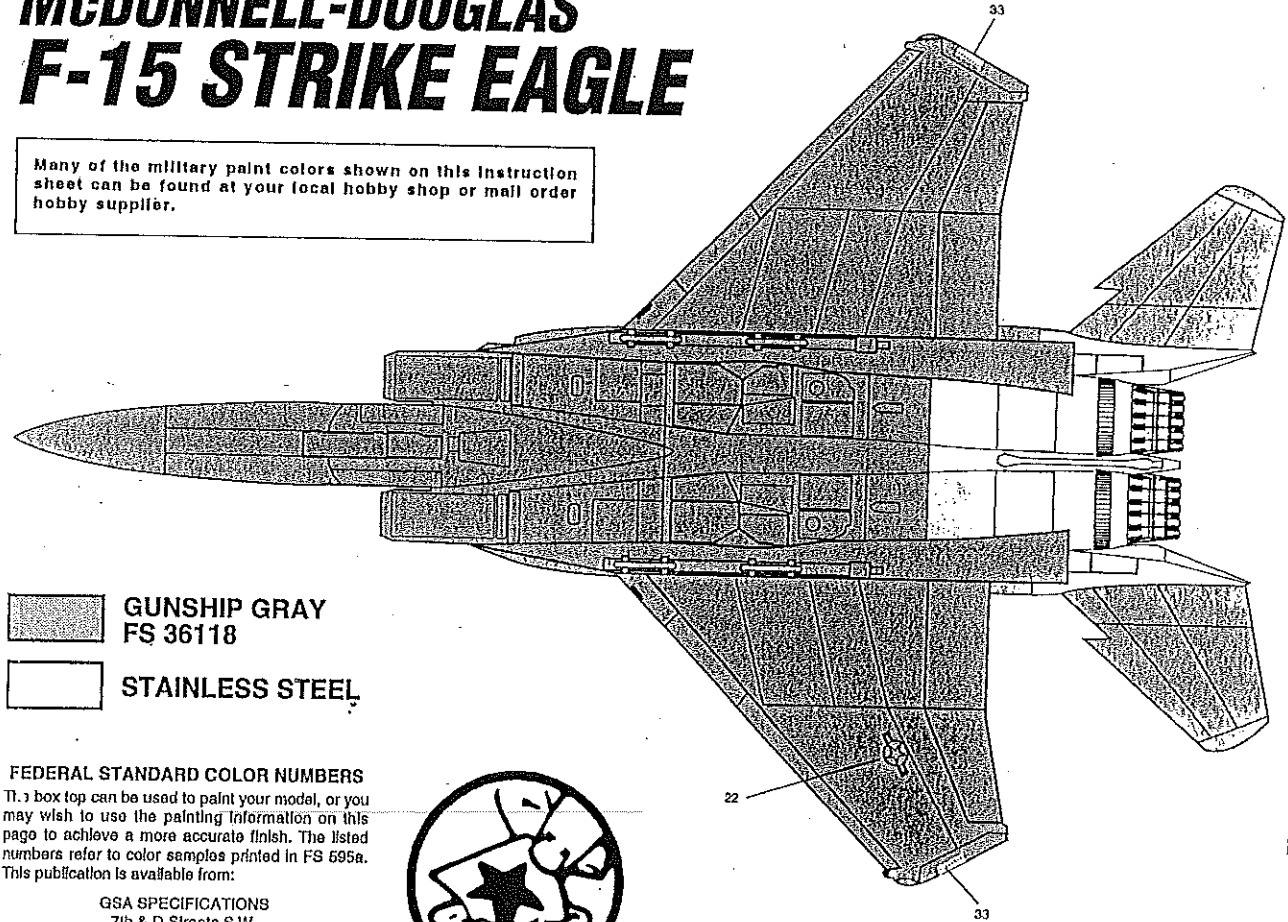
FLAT BLACK	NOIR TERNE	NEGRO APAGADO
SATIN WHITE	BLANC MAT	BLANCO MATE
ALUMINUM	ALUMINIUM	ALUMINIO
SILVER	ARGENT	PLATA
GRAY	GRIS	GRIS
DARK GRAY	GRIS FONCE	GRIS OSCURO
LIGHT GRAY	GRIS CLAIR	GRIS CLARO
YELLOW	JAUNE	AMARILLO
STEEL	METALLIC	METALLICA
BROWN	BRUN	MARRON
OLIVE DRAB	VERT OLIVE	ACEITUNADO
OLIVE GREEN	VERT OLIVE	VERDE OLIVA
GOLD	DORE	DORADO
GREEN	VERT	VERDE
RED	ROUGE	ROJO

**(800)833-3570**



# McDONNELL-DOUGLAS F-15 STRIKE EAGLE

Many of the military paint colors shown on this instruction sheet can be found at your local hobby shop or mail order hobby supplier.

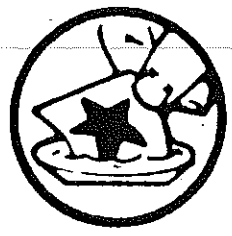


-  GUNSHIP GRAY  
FS 36118
-  STAINLESS STEEL

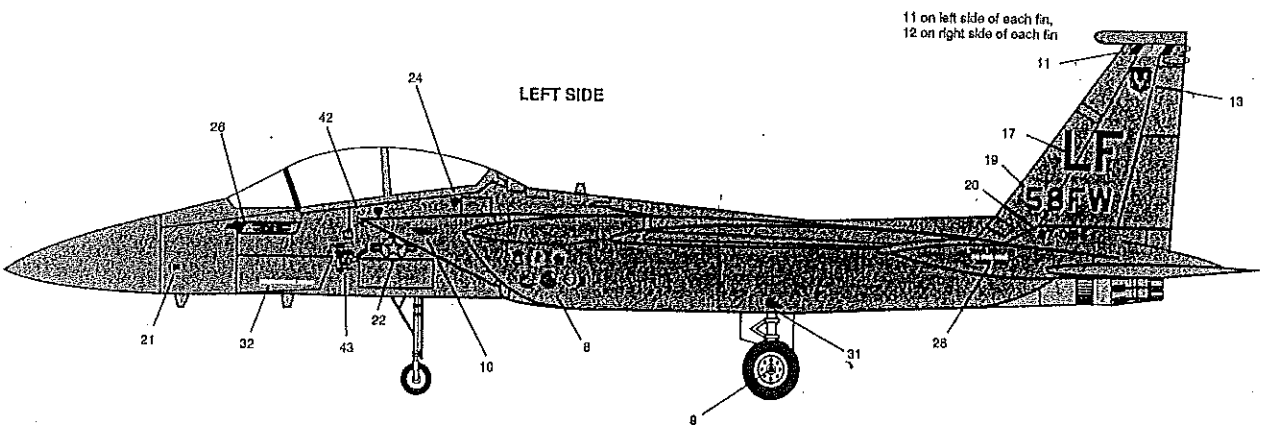
**FEDERAL STANDARD COLOR NUMBERS**  
The box top can be used to paint your model, or you may wish to use the painting information on this page to achieve a more accurate finish. The listed numbers refer to color samples printed in FS 695a. This publication is available from:

GSA SPECIFICATIONS  
7th & D Streets S.W.  
Room 6652  
Washington D.C. 20407

Write to GSA for information regarding current price and availability.

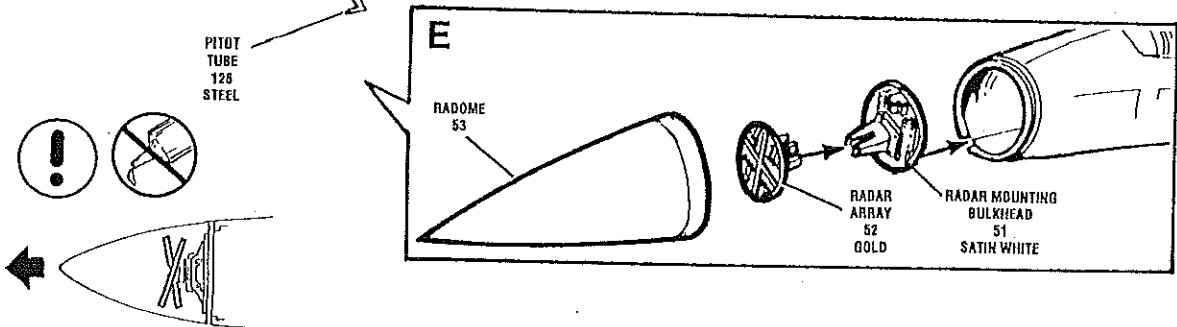
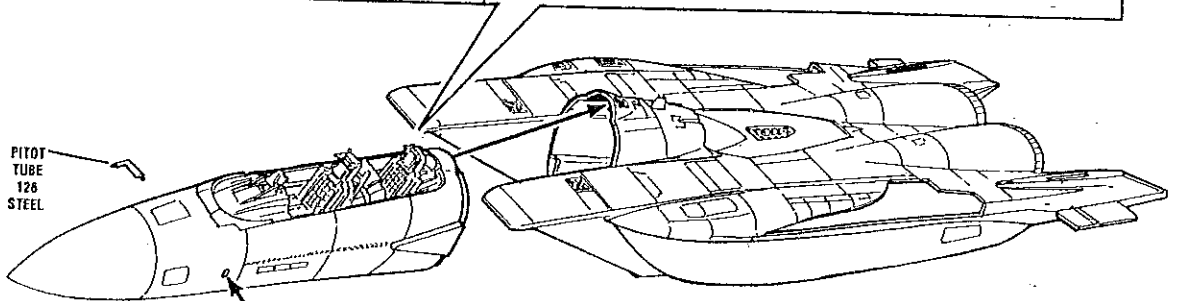
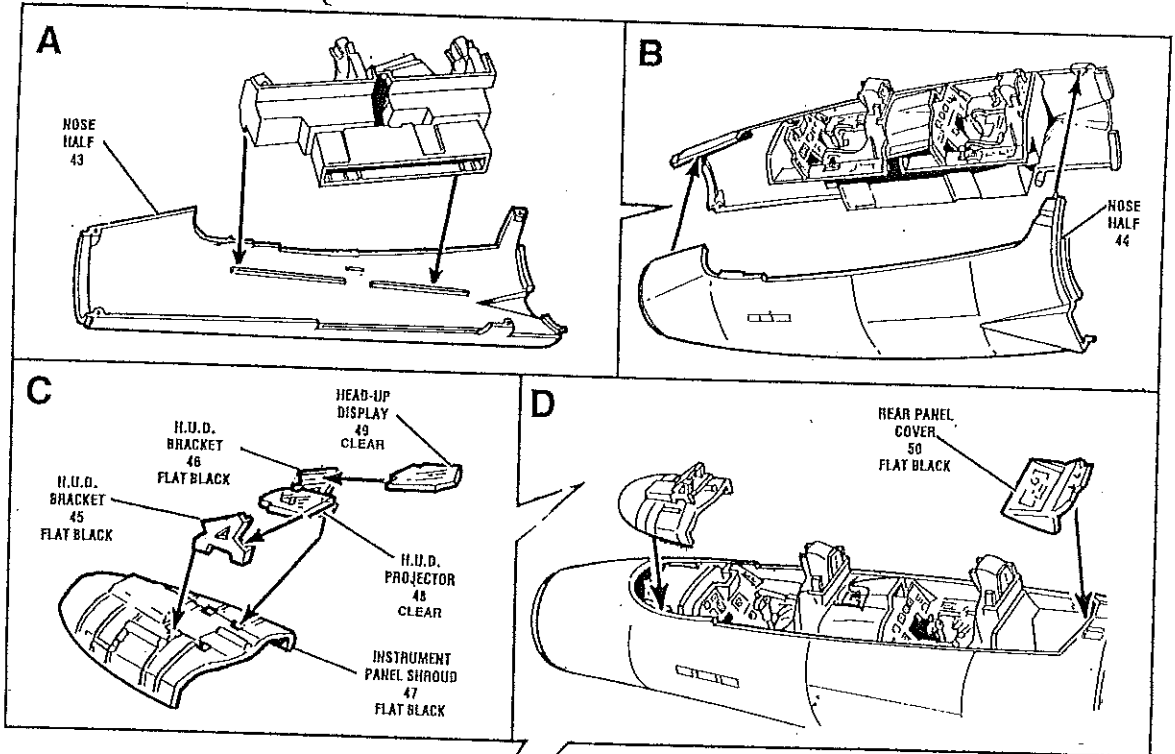


If you have any problems building this model, call our modeling tips hotline at

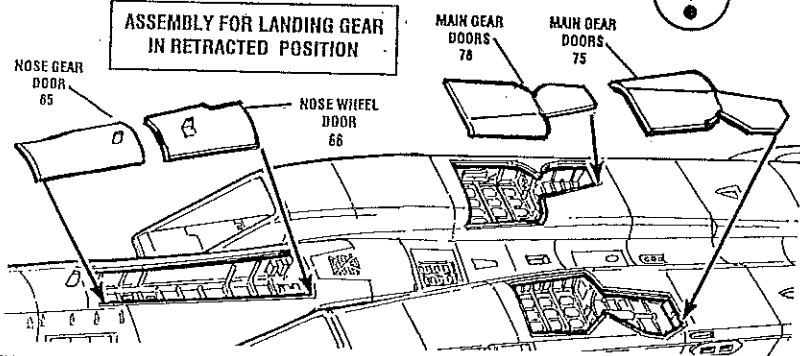


11 on left side of each fin,  
12 on right side of each fin

# 5 NOSE ASSEMBLY

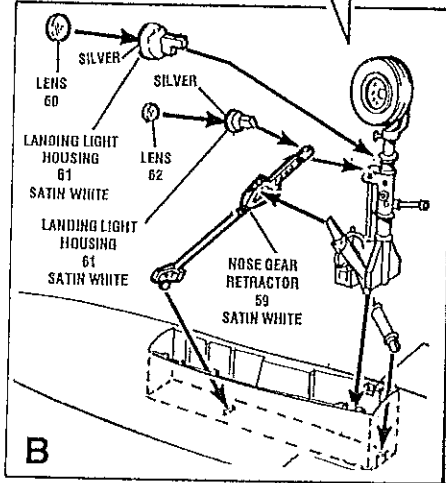
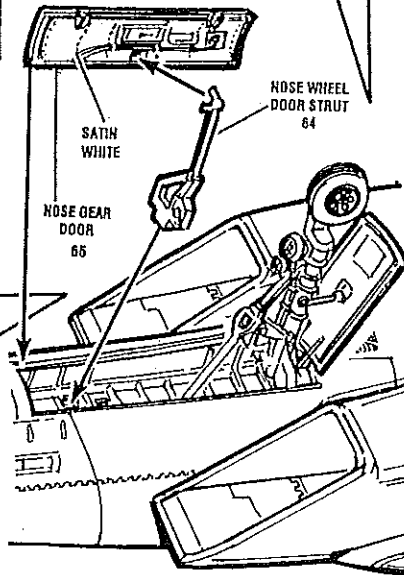
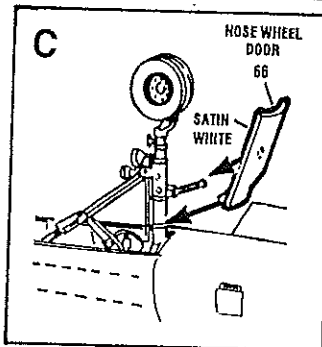
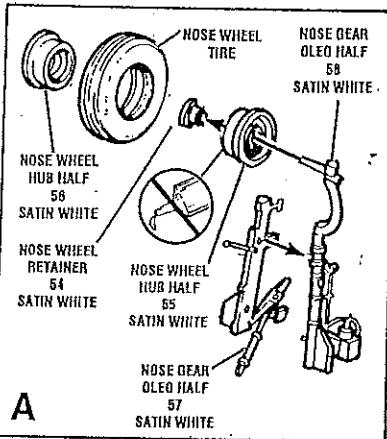


# 6 LANDING GEAR ASSEMBLY



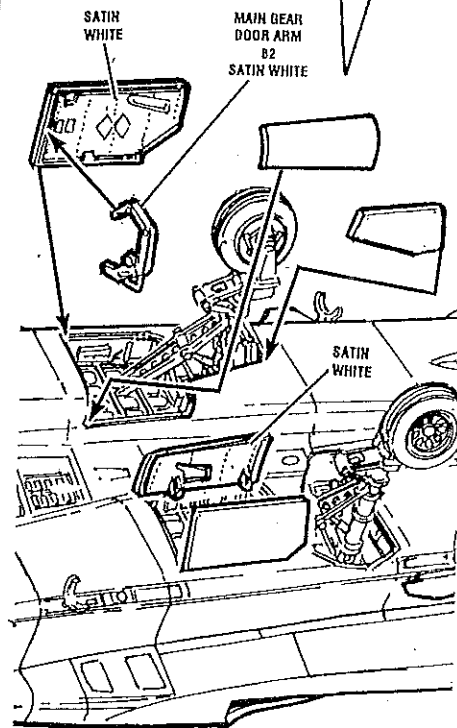
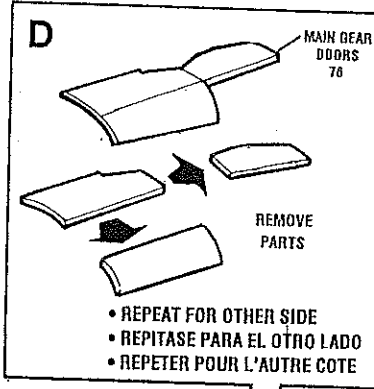
## NOSE GEAR ASSEMBLY

## ASSEMBLY FOR LANDING GEAR IN EXTENDED POSITION



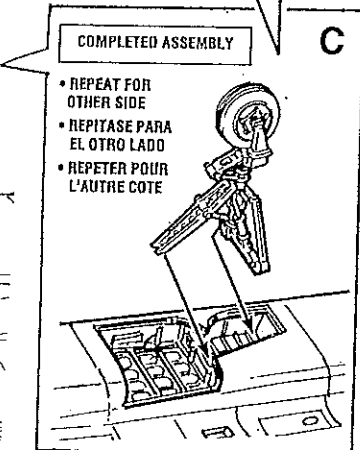
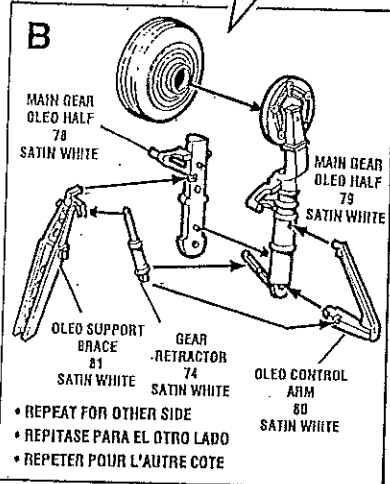
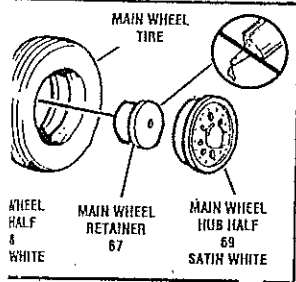
# 7 MAIN GEAR ASSEMBLY

## ASSEMBLY FOR LANDING GEAR IN EXTENDED POSITION

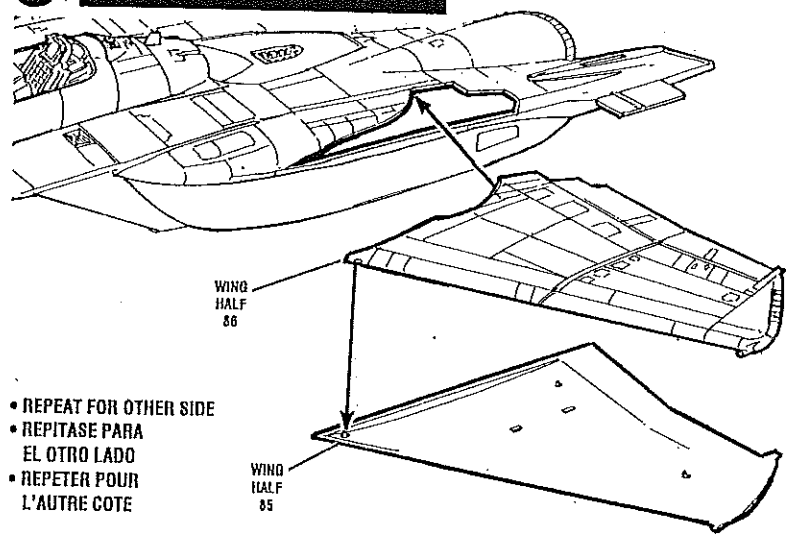




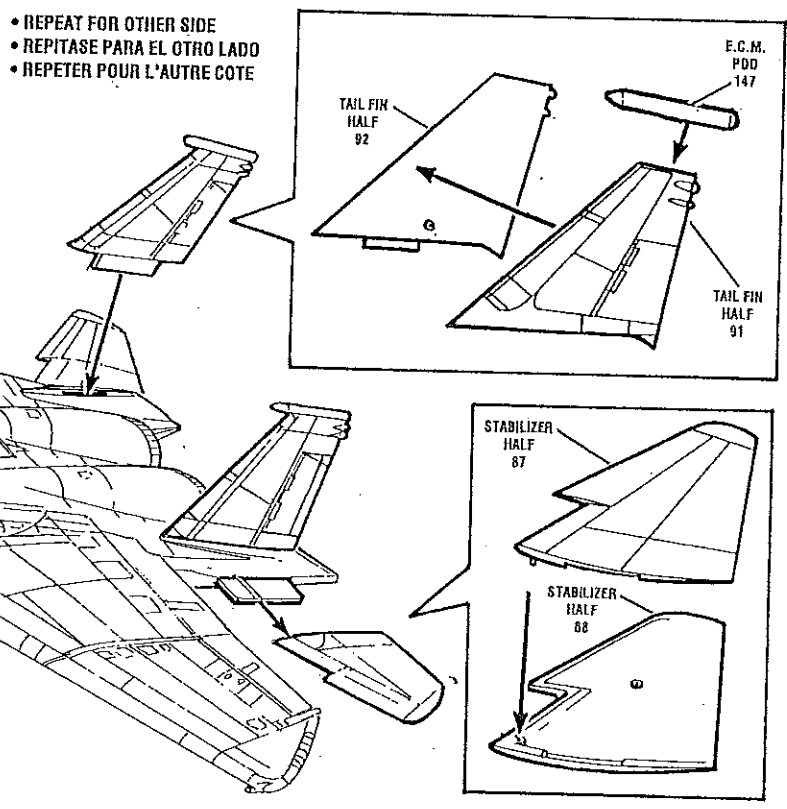
# WHEEL ASSEMBLY



# 8 WING ASSEMBLY



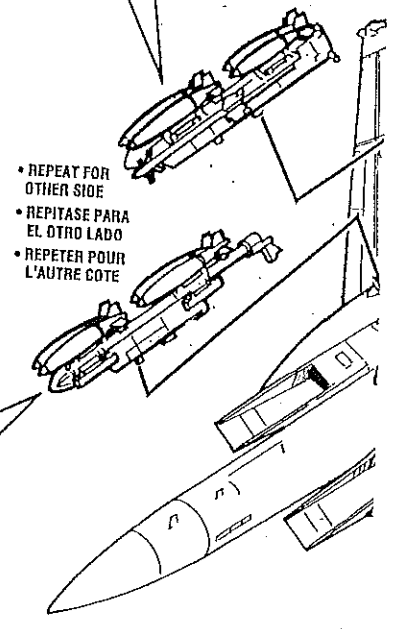
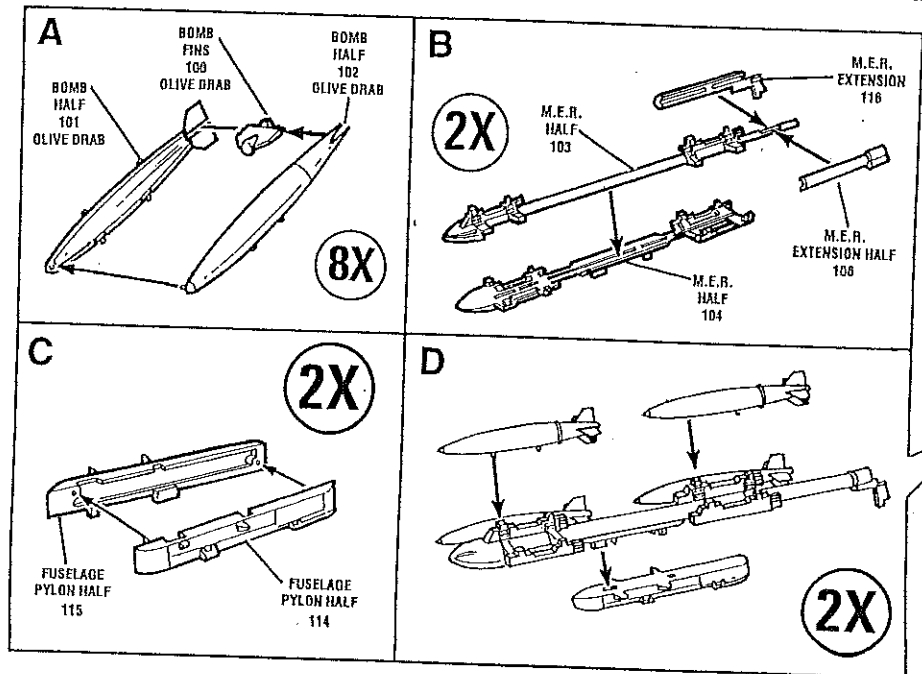
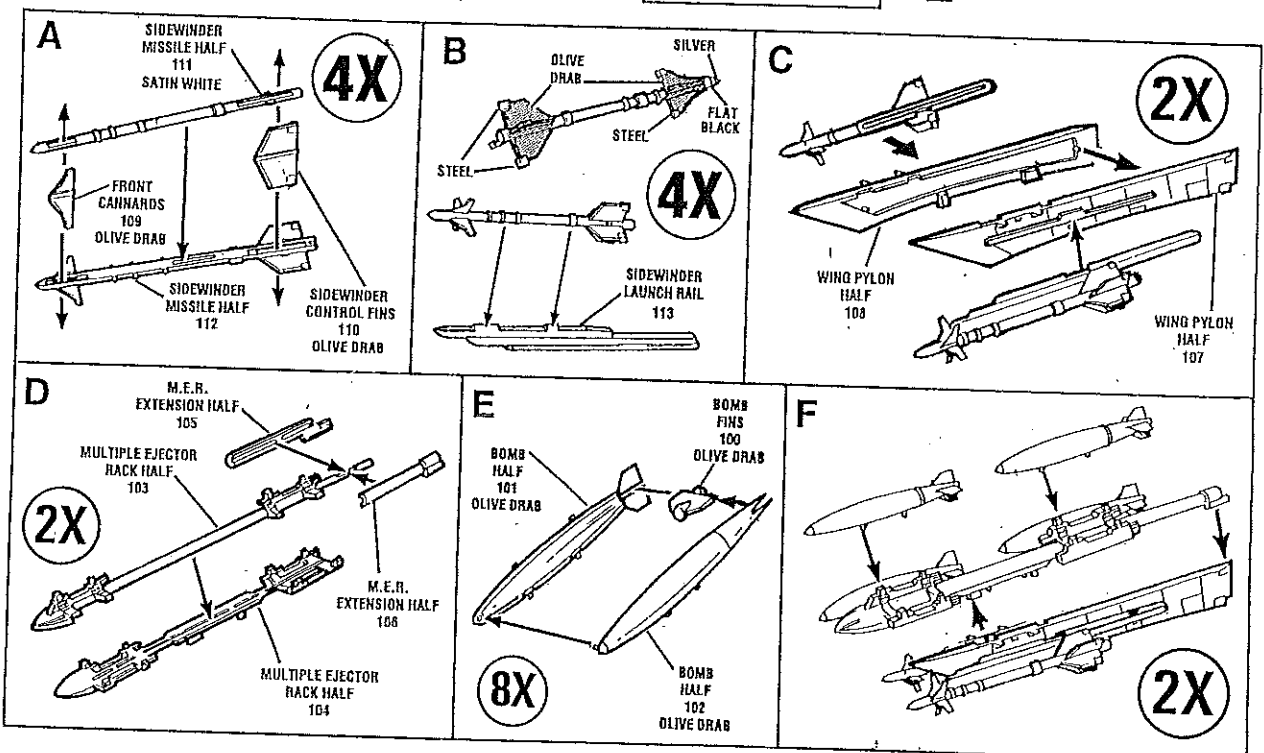
# 9 TAIL ASSEMBLY



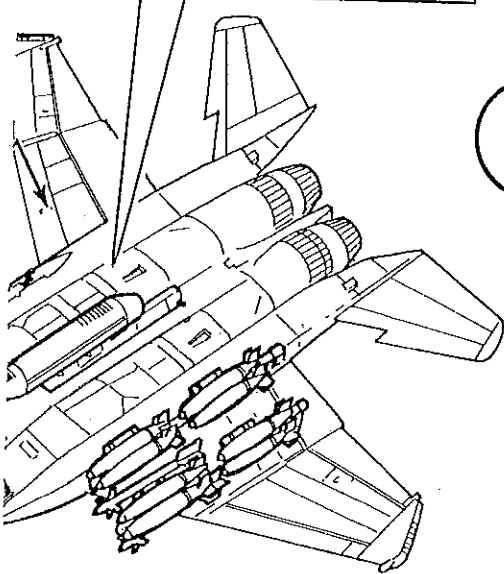
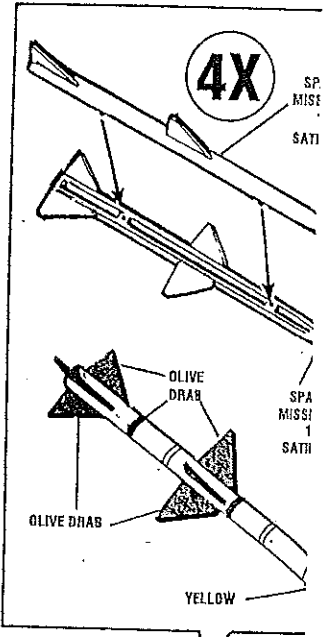
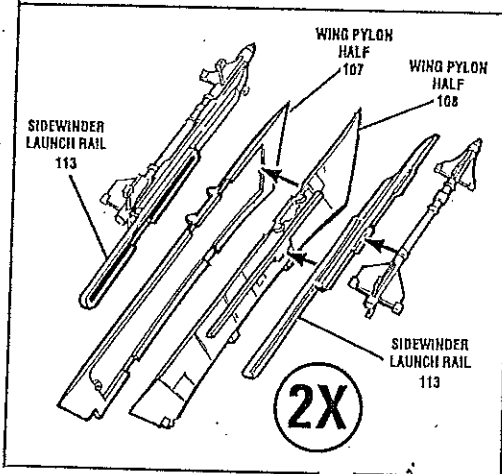
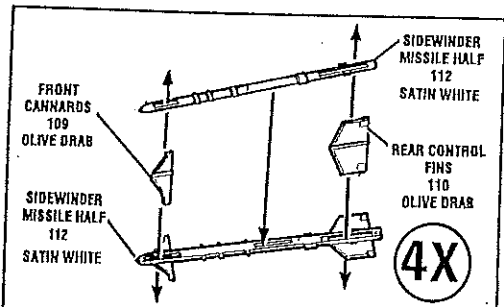
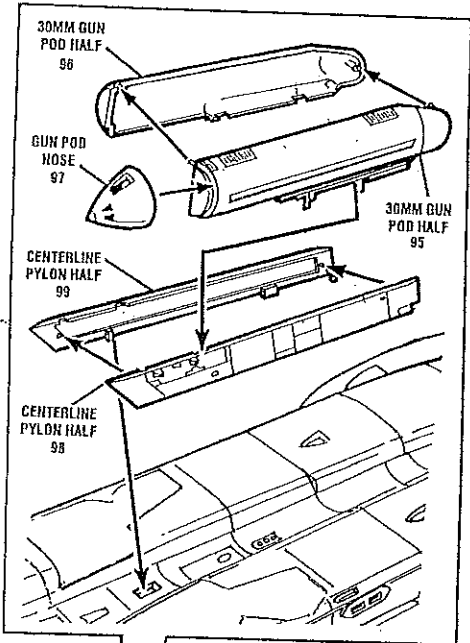
# 10 WEAPONS ASSEMBLY

ASSEMBLY FOR GROUND SUPPORT VERSION

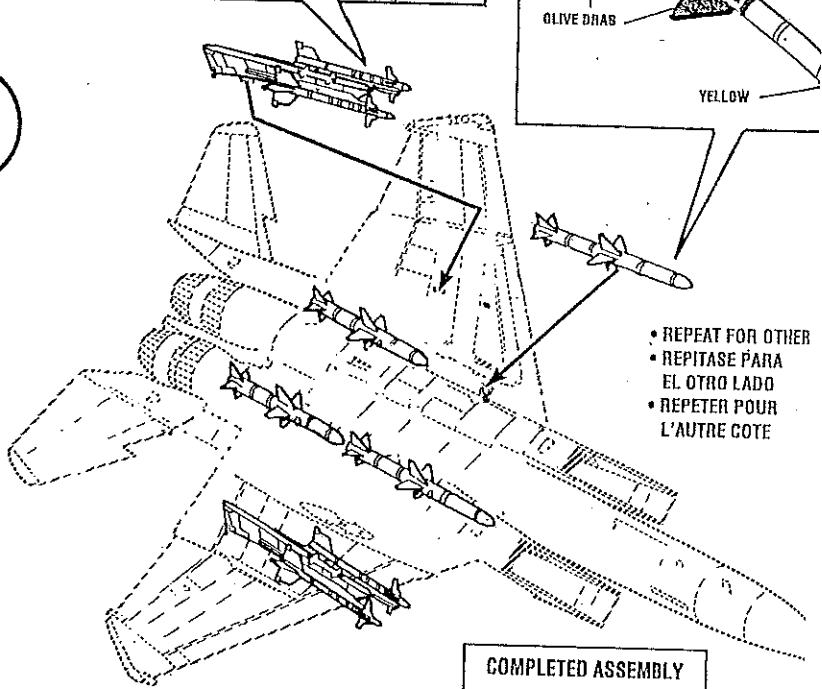
"E"



**ASSEMBLY FOR AIR SUPERIORITY VERSION**



**COMPLETED ASSEMBLY**



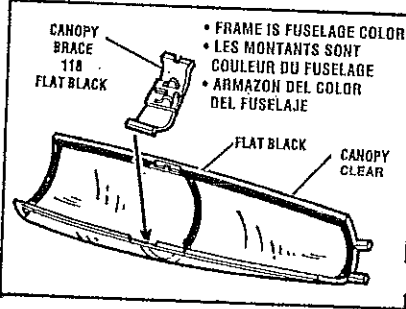
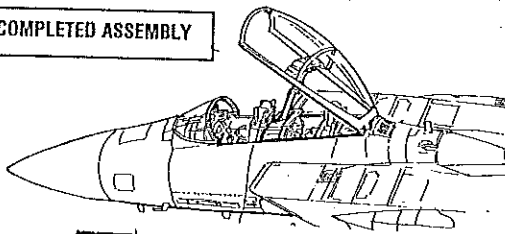
**COMPLETED ASSEMBLY**

- REPEAT FOR OTHER
- REPITASE PARA EL OTRO LADO
- REPETER POUR L'AUTRE COTE

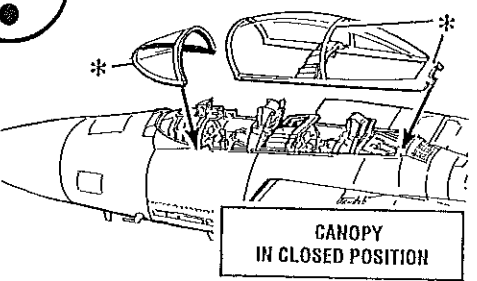
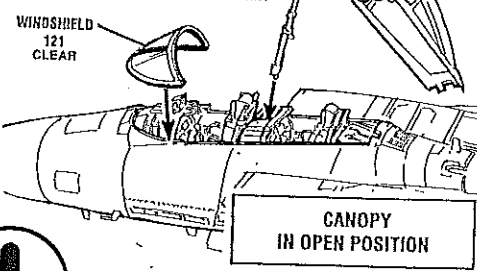
"D"

# 11 CANOPY ASSEMBLY

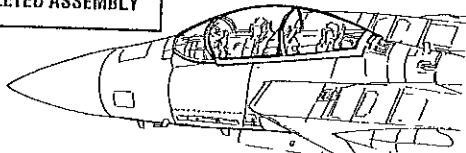
COMPLETED ASSEMBLY



- FRAME IS FUSELAGE COLOR \*
- LES MONTANTS SONT COULEUR DU FUSELAGE
- ARMAZON DEL COLOR DEL FUSELAJE



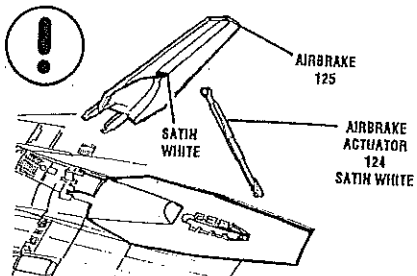
COMPLETED ASSEMBLY



ROW 4  
HALF  
WHITE

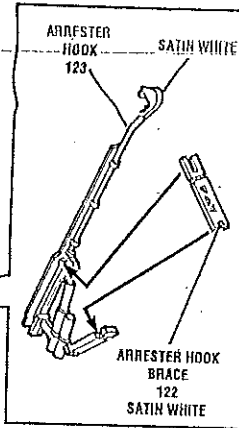
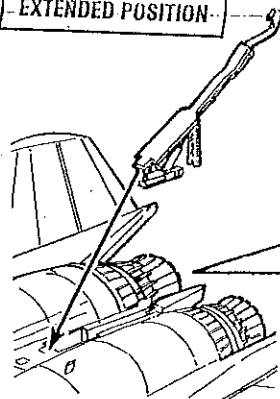
ROW 4  
HALF  
WHITE

# 12 FINAL ASSEMBLY

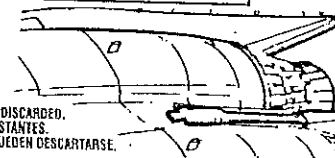


AIRBRAKE IN EXTENDED POSITION

ARRESTOR GEAR IN EXTENDED POSITION



ASSEMBLY FOR ARRESTOR GEAR IN RETRACTED POSITION



• REMAINING PARTS MAY BE DISCARDED.  
• SE DEFAIRE DES PIÈCES RESTANTES.  
• LAS PIEZAS QUE SOBREN PUEDEN DESCARTARSE.

IDE