

Revell Junior

Kenworth Aerodyne

6319-0389

© 1987 BY REVELL INC.

PRINTED IN W. GERMANY

ENGLISH: ASSEMBLY DRAWINGS SHOULD BE REVIEWED BEFORE PROCEEDING WITH CONSTRUCTION.

DEUTSCH: VOR DEM ZUSAMMENBAU DIE BAUANLEITUNG GUT DURCHLESEN.

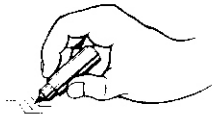
FRANCAIS: EXAMINER LES SCHEMAS D'ASSEMBLAGE AVANT DE COMMENCER LA CONSTRUCTION.

NEDERLANDS: BESTUDEER DE MONTAGE TEKENINGEN VOORDAT U MET BOUWEN BEGINT.

SVENSKA: IHOPSÄTTNINGSSKISSEN BÖR GRANSKAS INNAN IGÅNGSÄTTANDE AV BYGGANDET.

ESPAÑOL: DIBUJOS DE ENSAMBLAJE DEBEN SER REPASADOS ANTES DE SEGUIR CON LA CONSTRUCCION.

ITALIANO: I DISEGNI DELL'ASSEMBLAGGIO DOVREBBERO ESSERE RICONTROLLATI PRIMA DI INIZIARE IL MONTAGGIO.



PAINT STICKERS
AUFKLEBER (FÄRBE) IN
PLANCHE DE MOTIFS ADHÉSIFS
STICKERS INKLEUREN
FARG DEKALER
DIPINGERE LE ETICHETTE
PINJAR PEGATINAS



APPLY STICKERS TO THE MODEL
AUFKLEBER AM MODEL ANBRINGEN
APPLIQUEZ MOTIF ADHÉSIF SUR MAQUETTE
STICKERS OP HET MODEL PLAKKEN
APPLICHEA DEKALERNA PA MODELLEN
APPLICARE LE ETICHETTE SUL MODELLO
APLICAR PEGATINAS AL MODELO



NO GLUE REQUIRED
KEIN KLEBEN NOTWENDIG
LA COLLE N'EST PAS NECESSAIRE
GEEN LIJM NODIG
INGET KLISTER BEHOVS
NO NECESITA PEGA
NON C'È BISOGNO DI COLLA



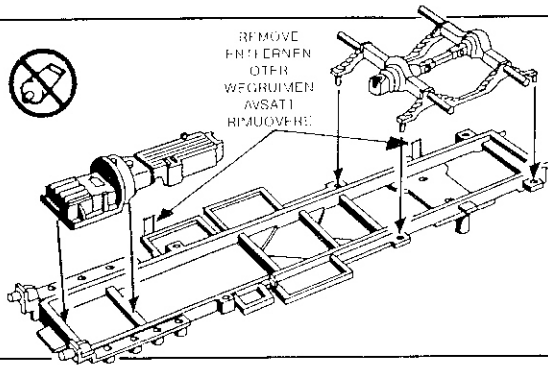
DO IT THIS MANY TIMES
ANZAHL DER ARBEITSGÄNGE
LE FAIRE CE NOMBRE DE FOIS
DOE HET ZOVEEL KEER
GJÖR DET SA MÅNGA GÅNGAR
FAZEO TUTTE QUESTA VOLTE
HAGALO ESTA CANTIDAD DE VECES



SHOWN ASSEMBLED
ABBI DUNG ZUSAMMENGEBAUTE TEILE
VU ASSEMBLE
GEMOENTEED GETOOND
VISAD IHOPSÄTTNING
MOSTRADO ARMADO
ILLUSTRAZIONE DEL PEZZO MONTATO

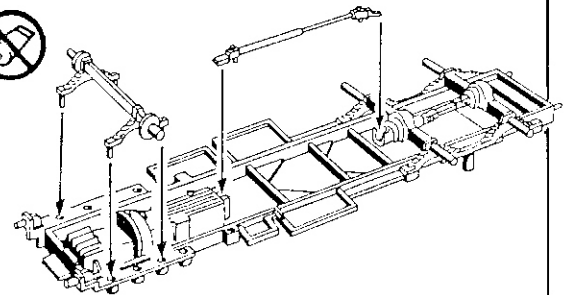
CLOSE PENS WELL AFTER USE
DIE FARBSTIFTEL SIND NACH GEBRAUCH ZU SCHLIESSEN
BIEN REFERMEZ LES MARQUEURS APRES UTILISATION
DE KLEURENSTIFTEN DIENEN NA GEBRUIK TE WORDEN GESLOTEN
SÄTT PA HATTEN EFTER ANVÄNDANDET
CHIUDERE BENE I PENNARELLI DOPO L'USO
CERRAR LAS PLUMAS BIEN DESPUES DEL USO

1

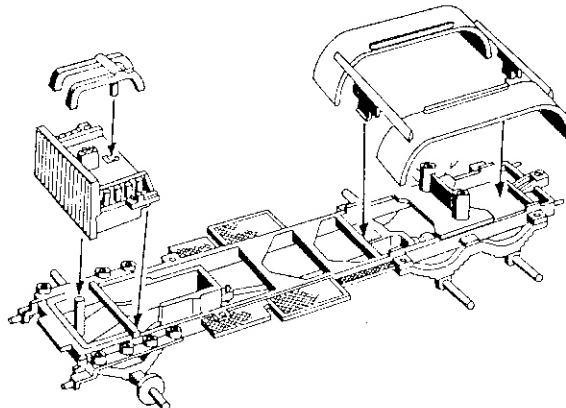


REMOVE PARTS CAREFULLY
WEGBRINGEN
AVSÄTTI
RIMUOVERE

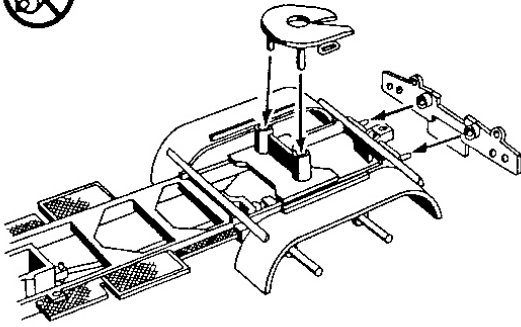
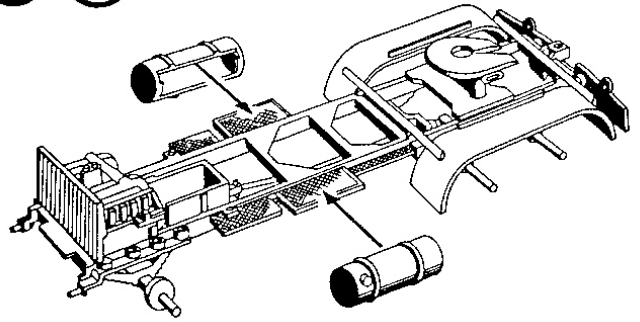
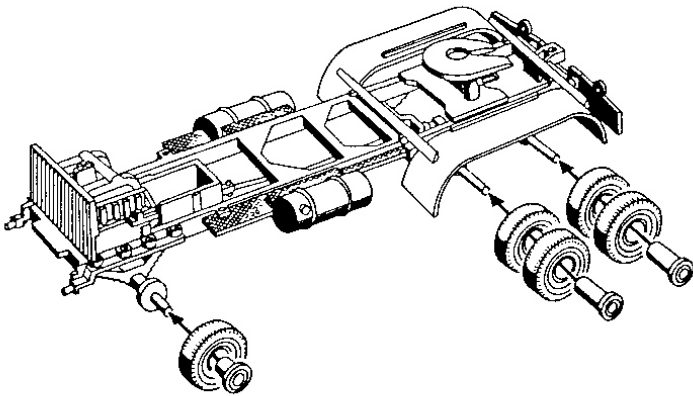
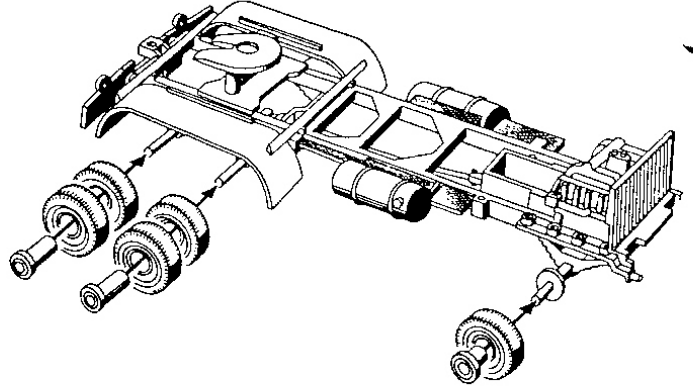
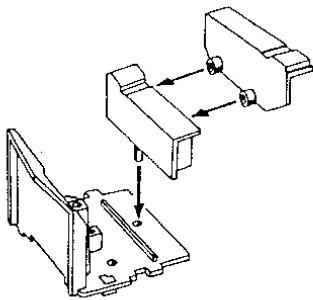
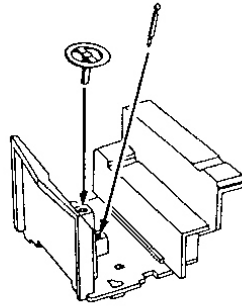
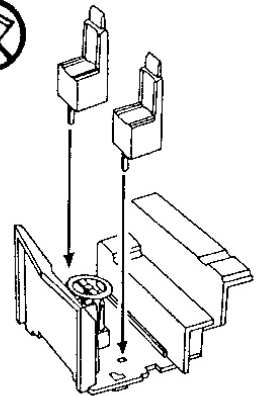
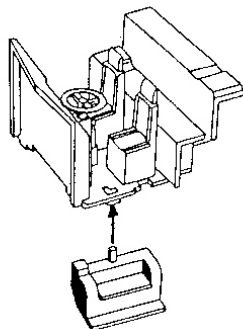
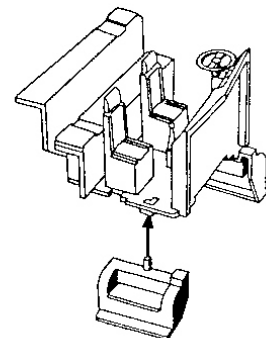
2

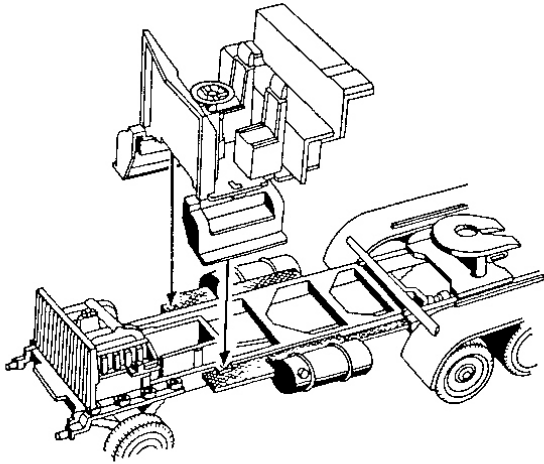
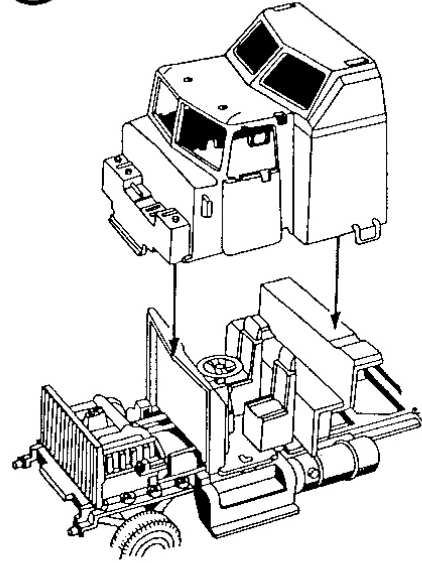
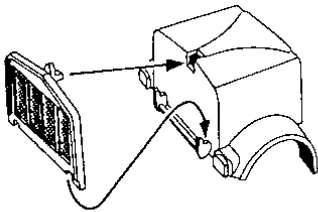
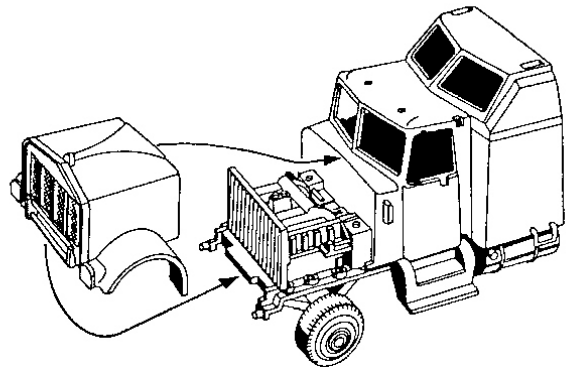
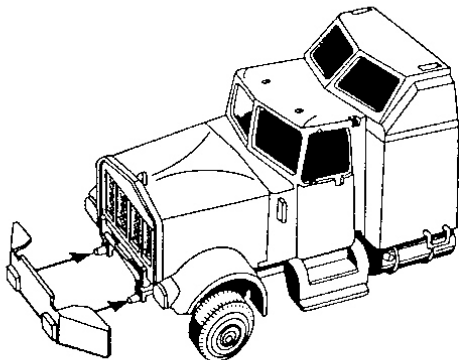
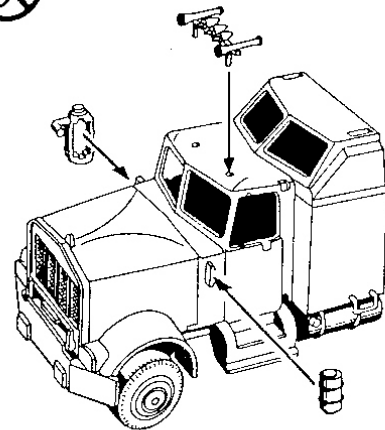


3

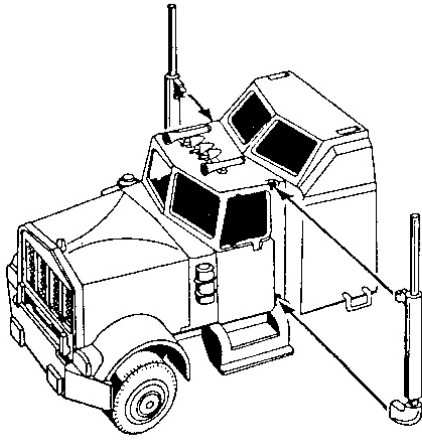


Should you find any missing parts, please write to REVELL PLASTICS GMBH, 2609 + 2620, department X, D-4980 Bünde, W. Germany, and we will send you these as quickly as possible with our compliments. Please indicate clearly with a cross on the instruction leaflet, which piece(s) are missing. Always remember to write your name and address clearly and in full.

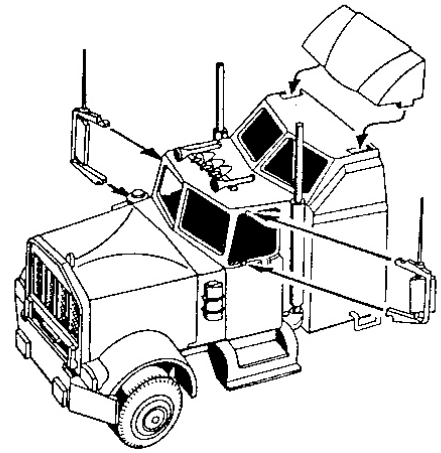
4 **5** **6** **7** **8** **9** **10** **11** **12** 

13 **14** **15** **16** **17** **18** 

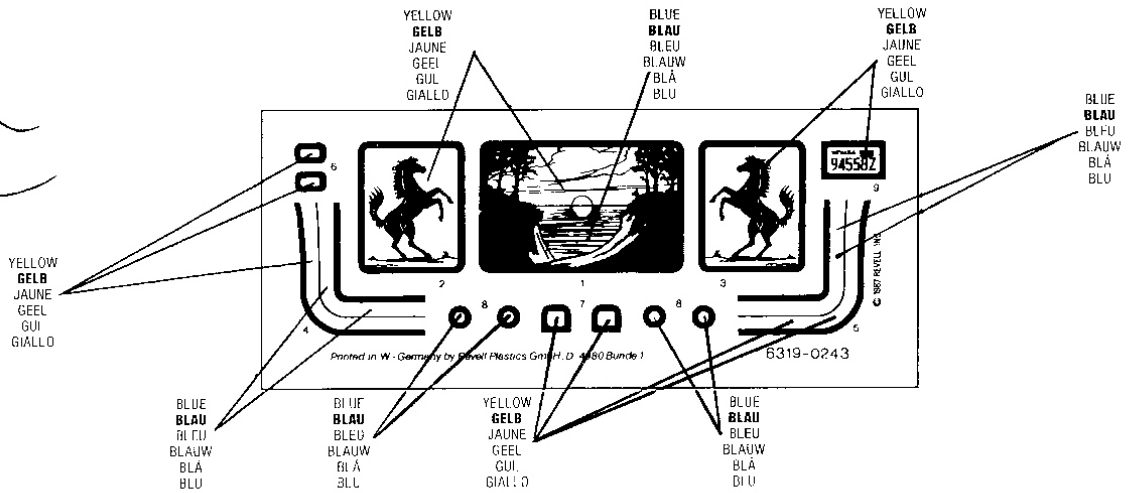
19



20



21



22

