



KIT 1434

85143400200

Ford 427 SOHC Drag Race Engine

One of the fiercest engines to ever come from any of the auto makers, the 427 SOHC, also known informally as the "Cammer", had it's time in the spotlight cut short. Although Ford spent considerable engineering time reworking the workhorse FE block into the SOHC, the engine was never made a regular production option from Ford in any of it's models.

Originally designed for the stock car racing tracks, which were growing in size and length in the 1960's, the SOHC got it's name from it's all-new design cylinder heads. Each had one overhead camshaft per cylinder bank which was powered by a six foot long timing chain. This unique setup allowed for the use of a wide angle between the intake and the exhaust valves, approximating a hemispherical combustion chamber. The overhead cam design allowed the engine to reach a higher "revolutions per minute" (RPM) redline

than a conventional overhead design. This was especially attractive to the stock car racing teams as the longer straight-a-ways of the newer circuits taxed their engine's life expectancy. However, rule changes by the stock car racing sanctioning body effectively banned the Ford 427 SOHC from it's oval track warriors. This ended the possibility that a consumer could walk into his local Ford dealer and order a 427 SOHC for his Galaxie or Fairlane, although the engine was available from the parts counter for those who had an especially large tool box! Many ended up between the front fenders of Fords doing battle on the drag strip instead of the ovals.

Your new Revell kit will allow you to build an especially detailed replica of one of the rarest of the special limited production pieces that were developed in the early days of the American muscle car.



* REPEAT SEVERAL TIMES
* A REPETER PLUSIEURS FOIS



* CEMENT TOGETHER
* A COLLER



* DO NOT CEMENT
* NE PAS COLLER

If you have any questions or comments, call our hotline at: **(800) 833-3570**
or, please write to:

Revell-Monogram Consumer Service Department, 725 Landwehr Road, Northbrook, Illinois 60062
Be sure to include the plan number (85143400200), part number, description, your return address and phone number.
Visit our website: www.revell.com

1

ENGINE HOUSING ASSEMBLY



FINE
THREAD
(LONG)



SELF
TAPPING



FINE
THREAD
(SHORT)

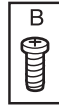


CHROME
FLATHEAD
SCREW

NOTE: FOR BEST RESULTS USE A CYANOACRYLATE SUPERGLUE (NOT INCLUDED). PLEASE READ AND FOLLOW THE DIRECTIONS AND WARNING LABEL ON THE CYANOACRYLATE SUPERGLUE.

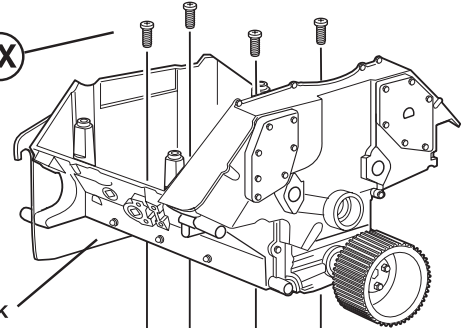
TOOLS REQUIRED:
SMALL PHILLIPS HEAD SCREWDRIVER

A



4X

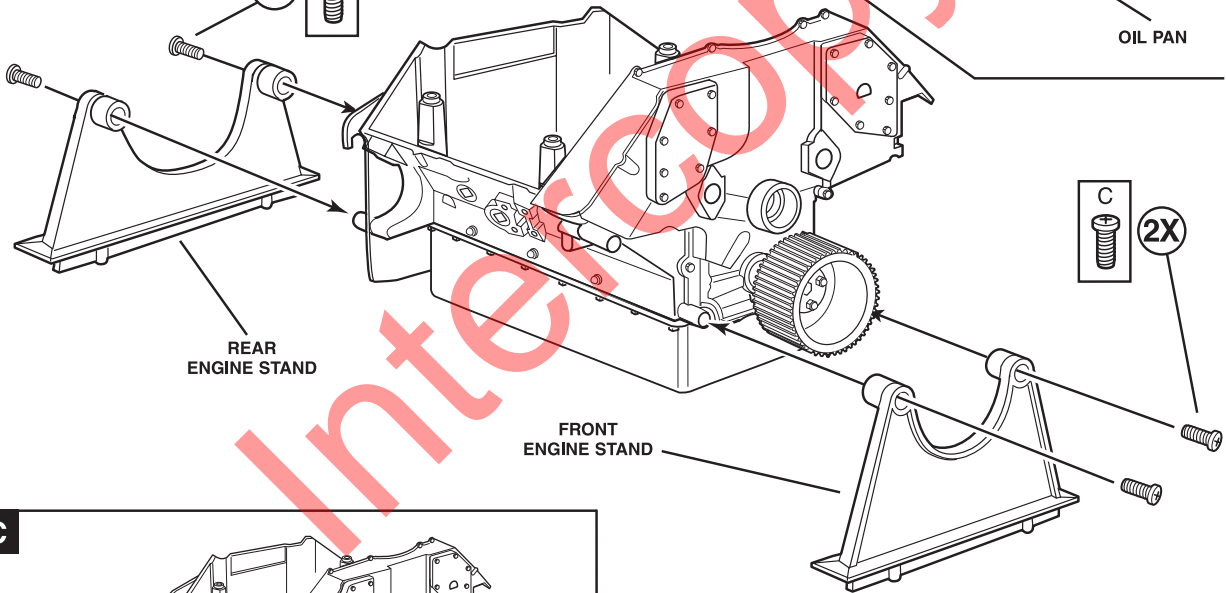
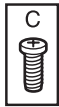
ENGINE BLOCK



OIL PAN

B

2X



REAR
ENGINE STAND

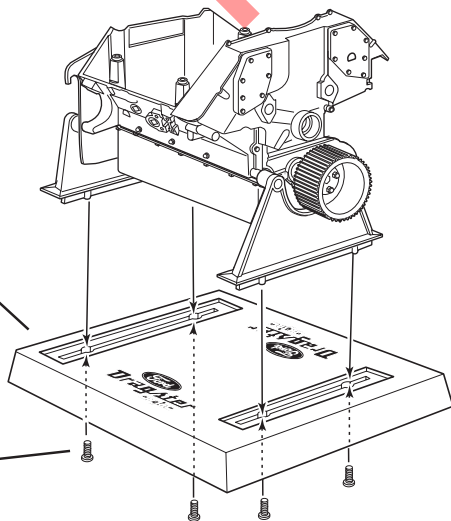
FRONT
ENGINE STAND

C

BASE



4X

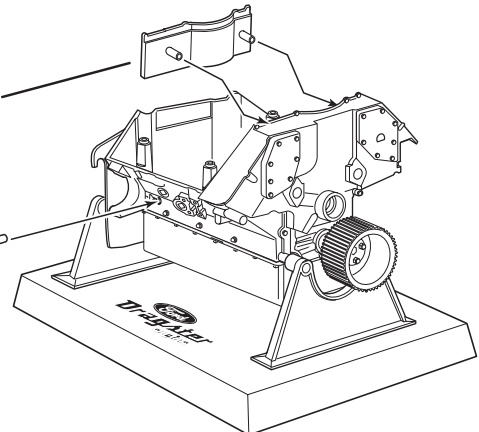


D

PLATE

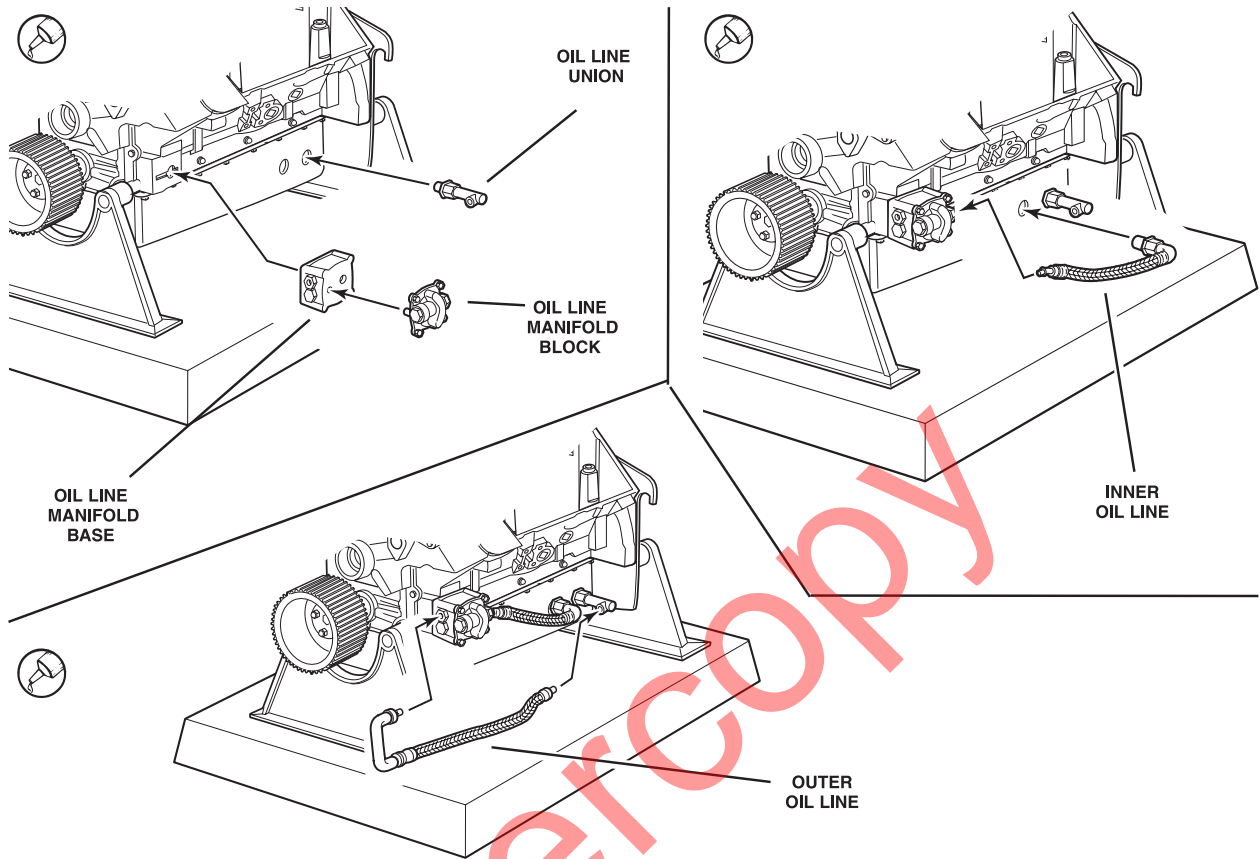


PLATE



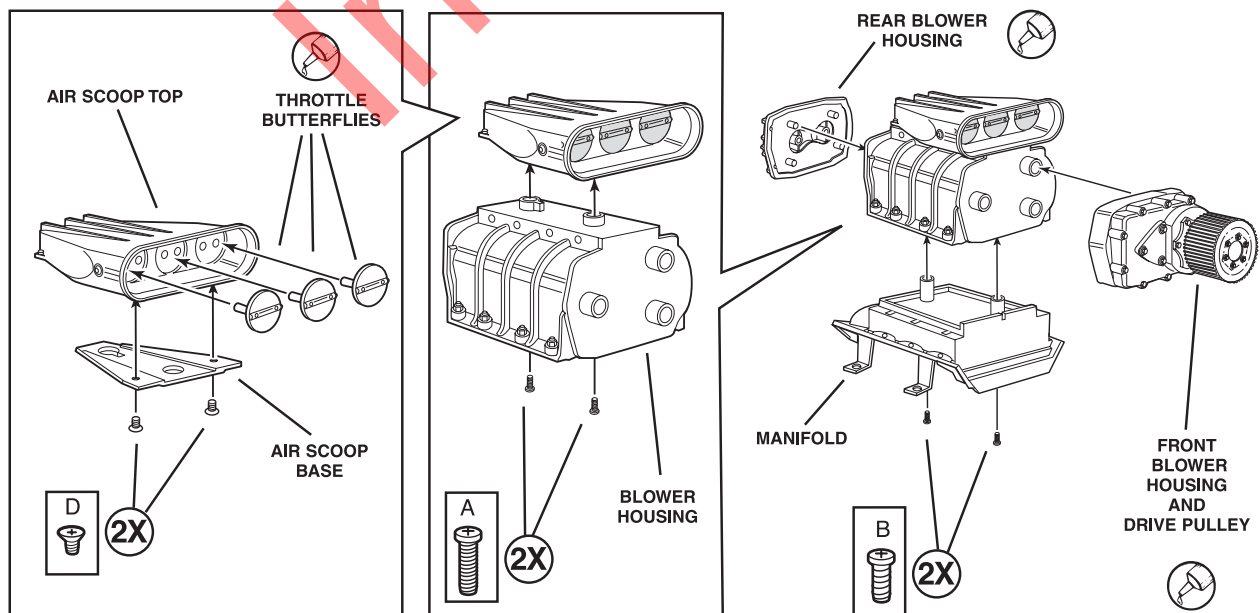
2

LOWER LEFT SIDE ASSEMBLY



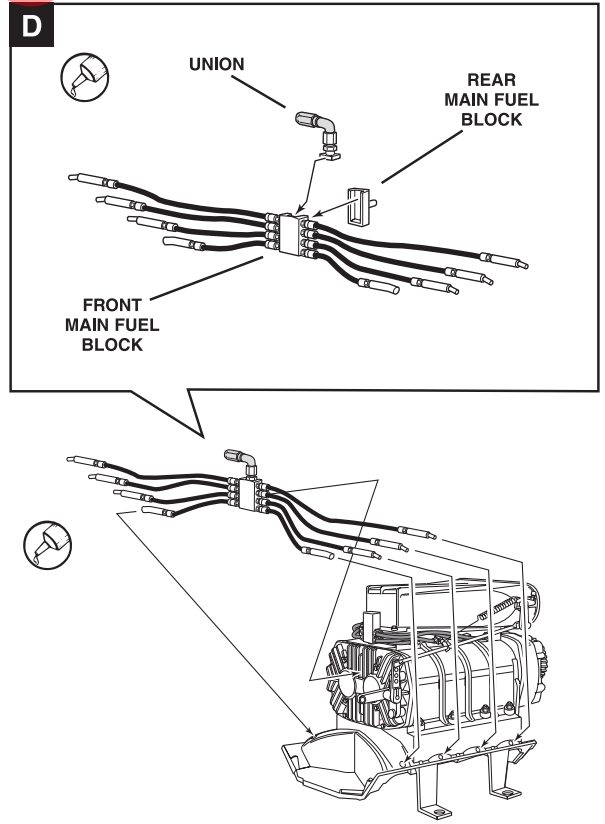
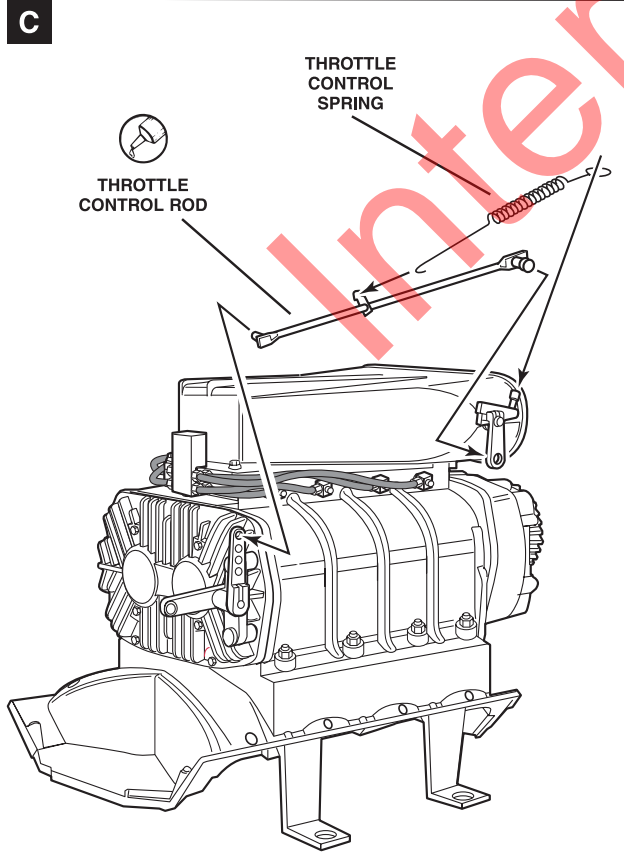
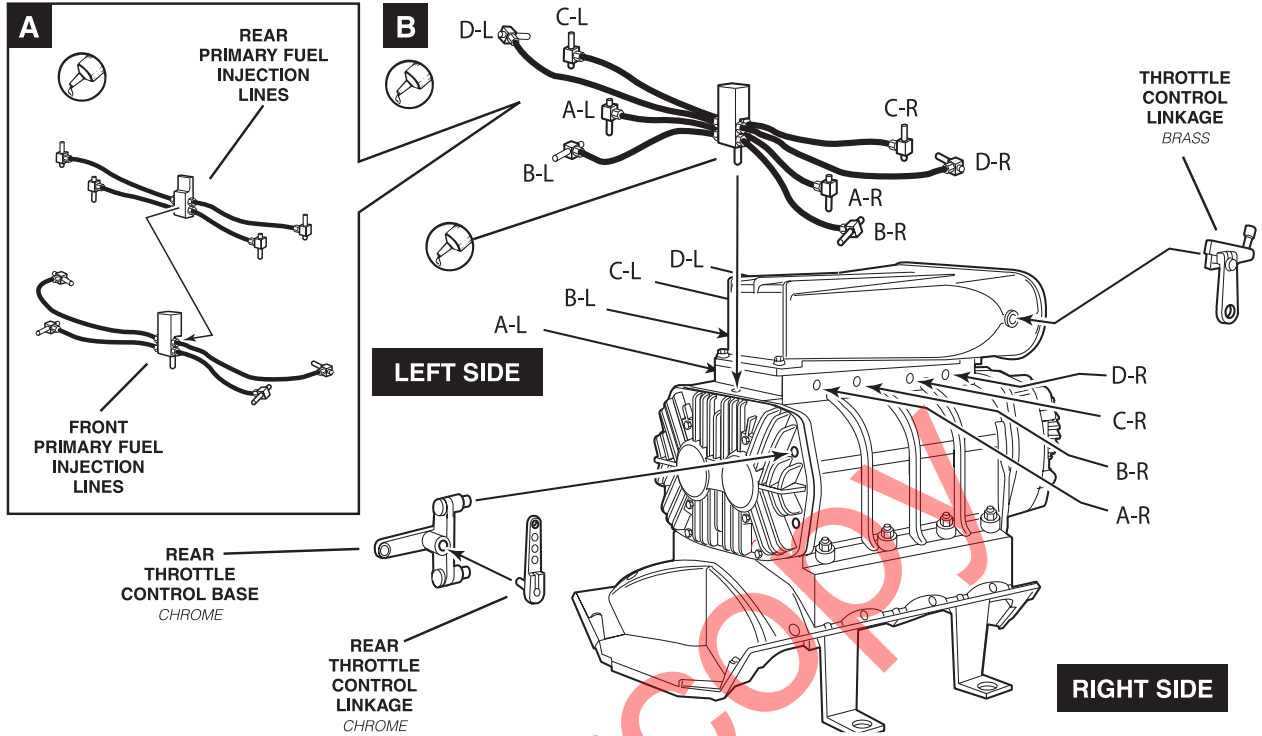
3

BLOWER ASSEMBLY



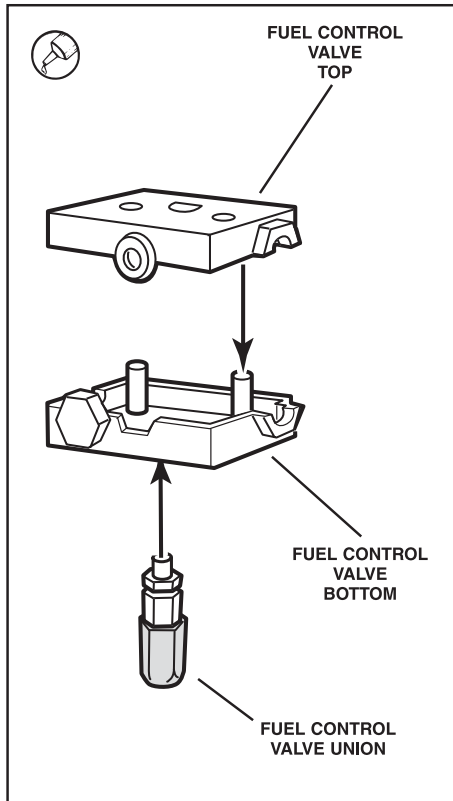
4

FUEL LINE ASSEMBLY

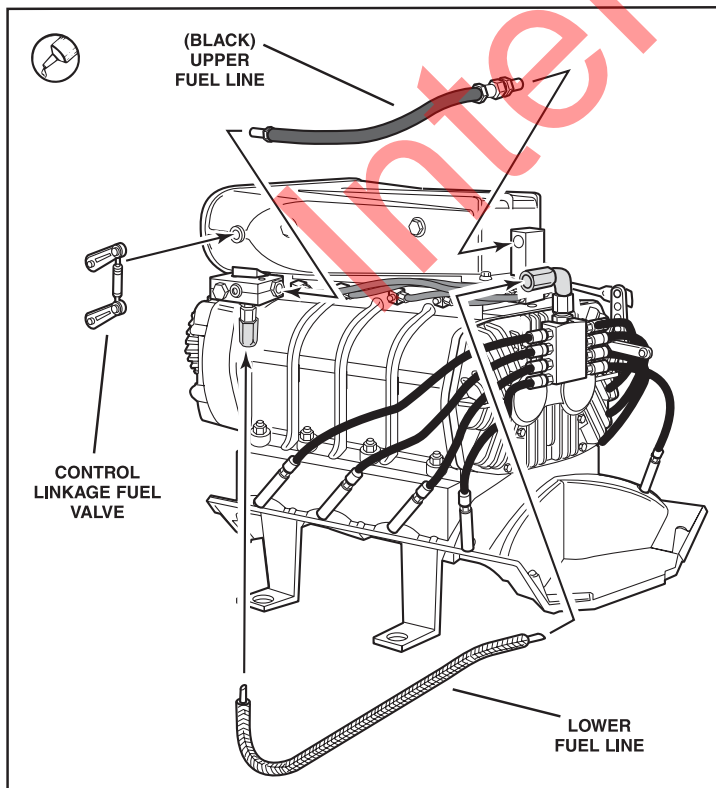
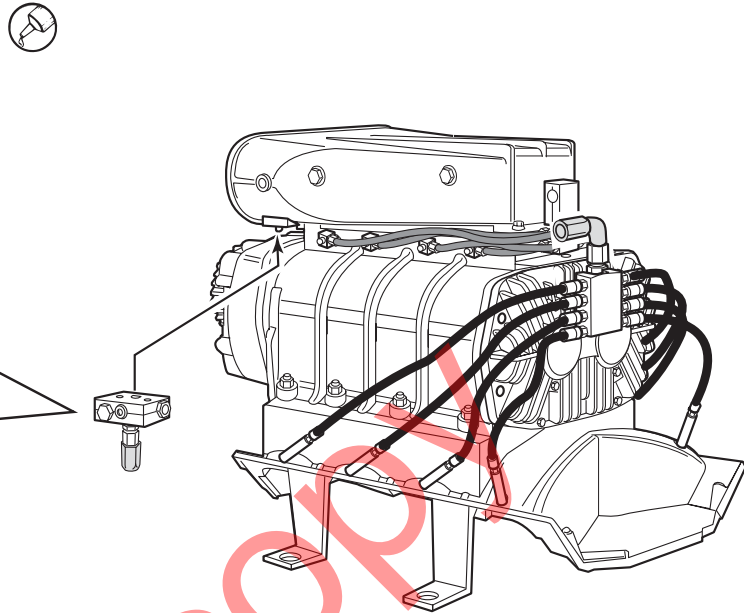


5

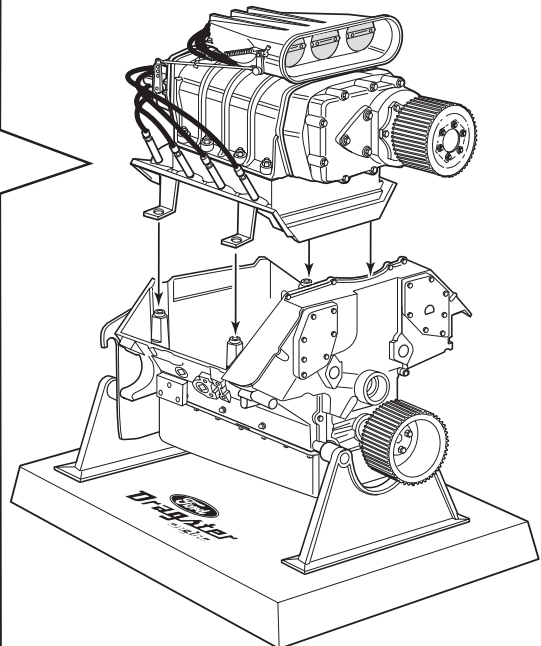
LEFT SIDE BLOWER ASSEMBLY



LEFT SIDE



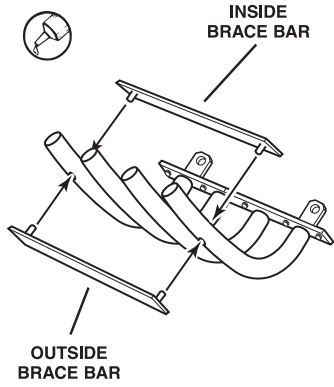
BLOWER TO ENGINE BLOCK



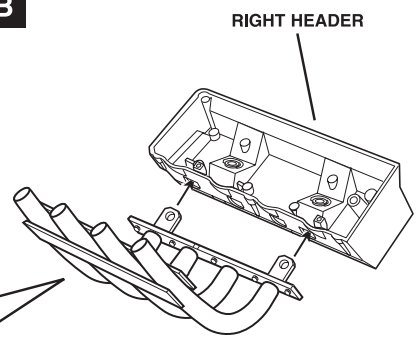
6

EXHAUST ASSEMBLY

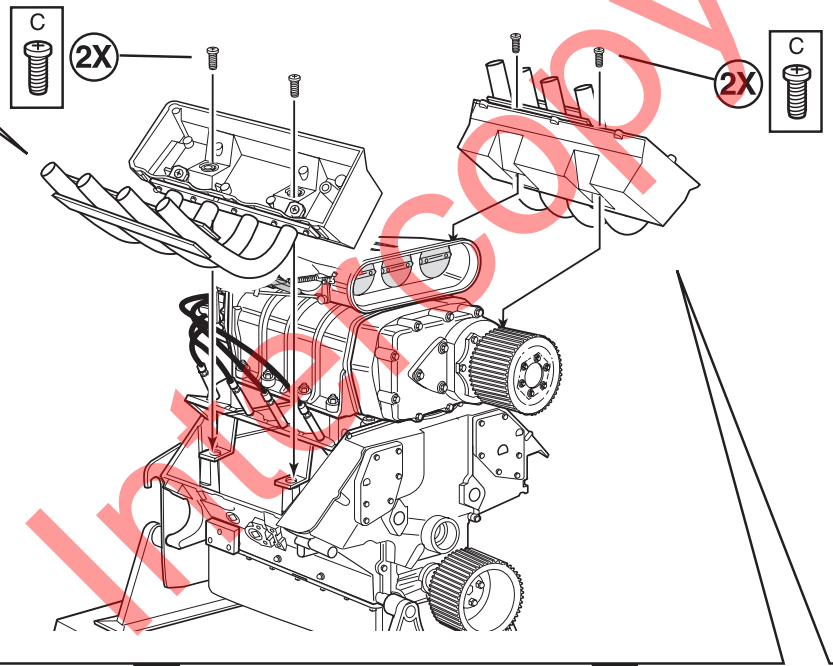
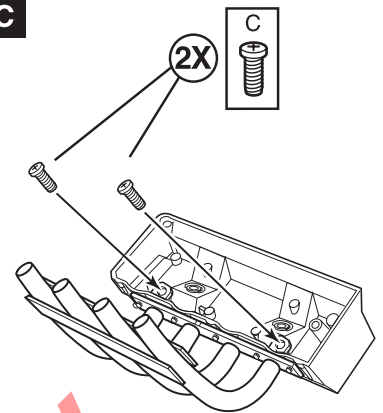
A RIGHT



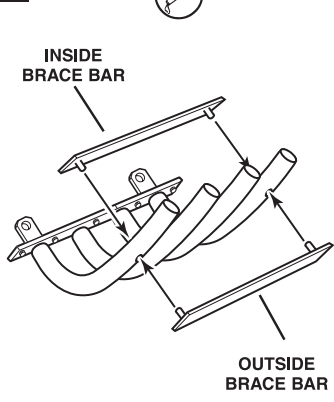
B



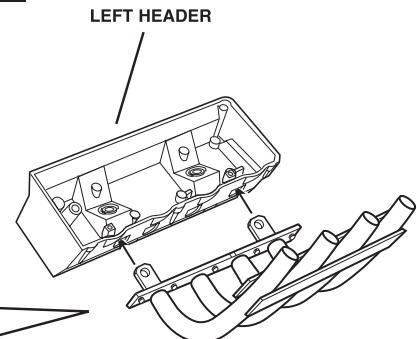
C



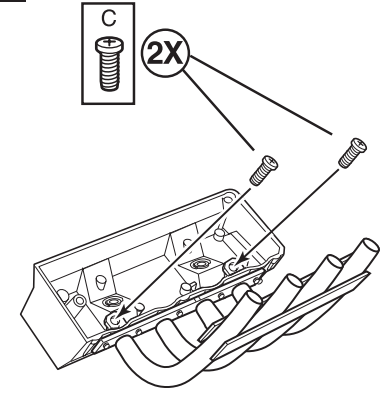
A LEFT



B

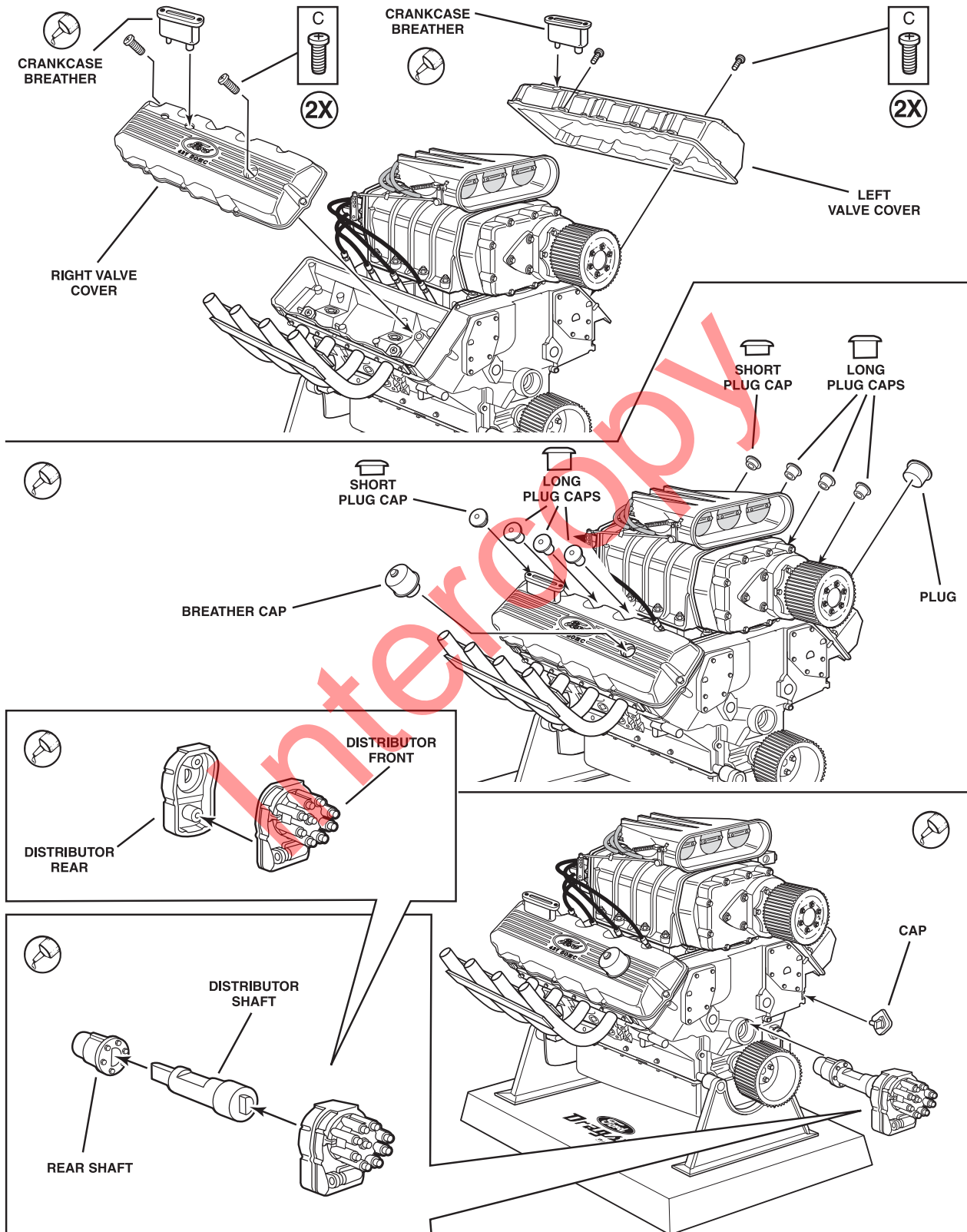


C



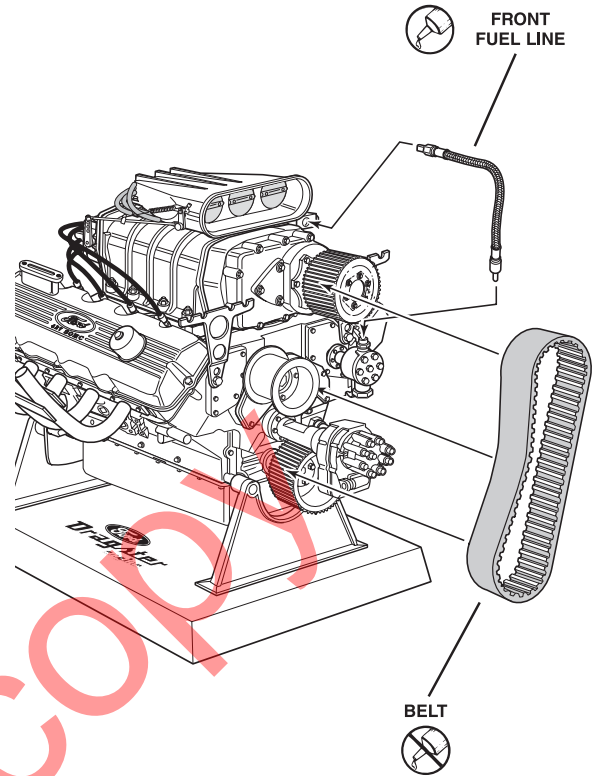
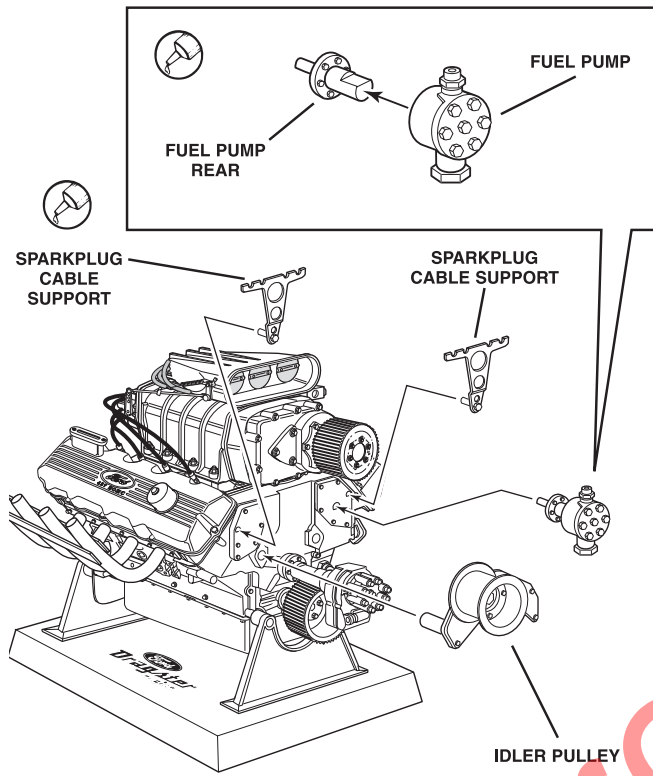
7

COVERS / DISTRIBUTOR ASSEMBLY



8

FRONT ASSEMBLY



9

SPARKPLUG ASSEMBLY

