

SPITFIRE

MODEL KIT 1727



The Spitfire was one of Great Britain's famous fighters during World War II. Its fame was gained during the Battle of Britain. Its maximum speed was 408 m.p.h. at 25,000 feet.

WHILE THIS IS A SNAP TOGETHER KIT AND NEEDS NO CEMENTING, THERE'S NO REASON WHY YOU CAN'T USE CEMENT TO JOIN THE PARTS FOR A STRONGER MODEL.

JUST FOLLOW THE EASY STEPS, YOU DON'T NEED CEMENT ON THIS SNAPTITE MODEL.

If you have any questions or comments, call our hotline at: **(800) 833-3570**
or, please write to:

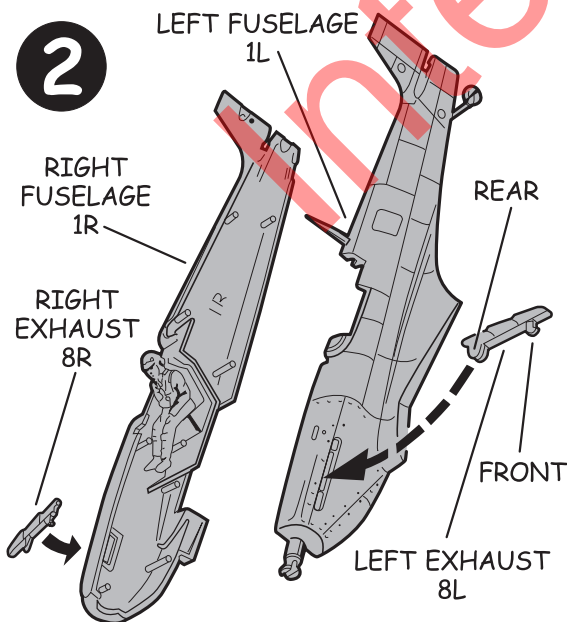
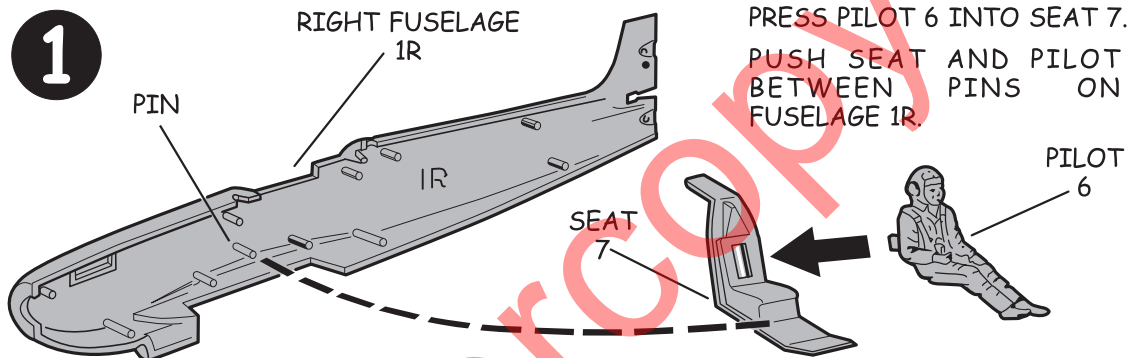
Revell-Monogram Consumer Service Department, 725 Landwehr Road, Northbrook, Illinois 60062

Be sure to include the plan number (85172700200), part number, description, your return address and phone number.

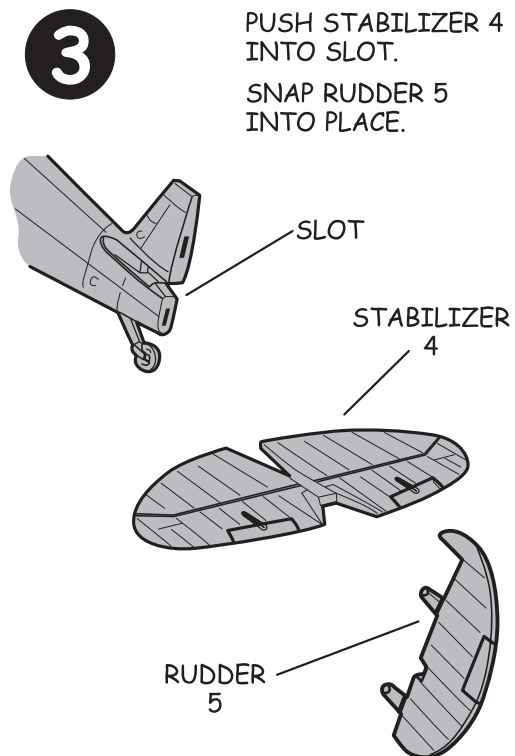
Visit our website: www.revellmonogram.com

REVELL-MONOGRAM, LLC Northbrook, IL. Copyright © 2006. All rights reserved.

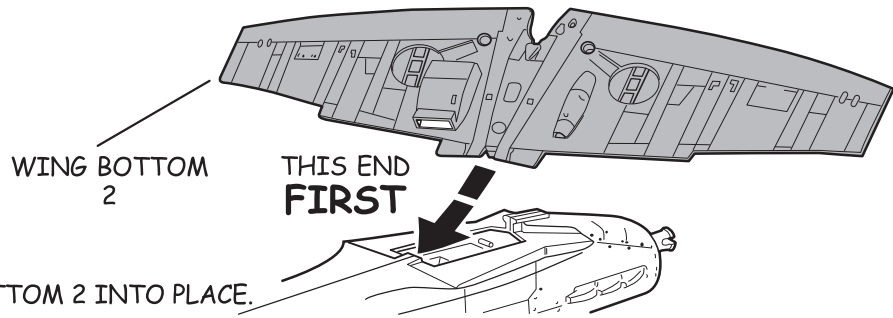
85172700200



SNAP FUSELAGE 1R AND 1L TOGETHER. SNAP EXHAUSTS 8R AND 8L INTO FUSELAGE - PUT REAR END IN FIRST, THEN PRESS FRONT END IN PLACE.

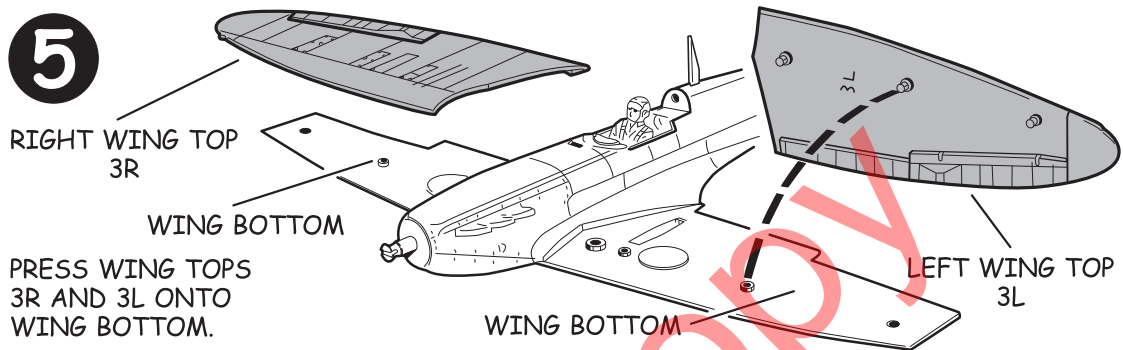


4



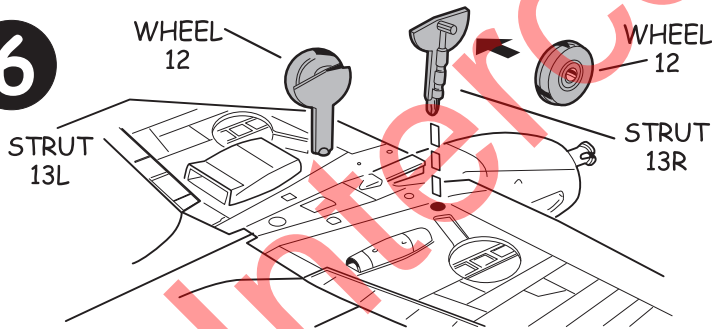
SNAP WING BOTTOM 2 INTO PLACE.

5



PRESS WING TOPS 3R AND 3L ONTO WING BOTTOM.

6



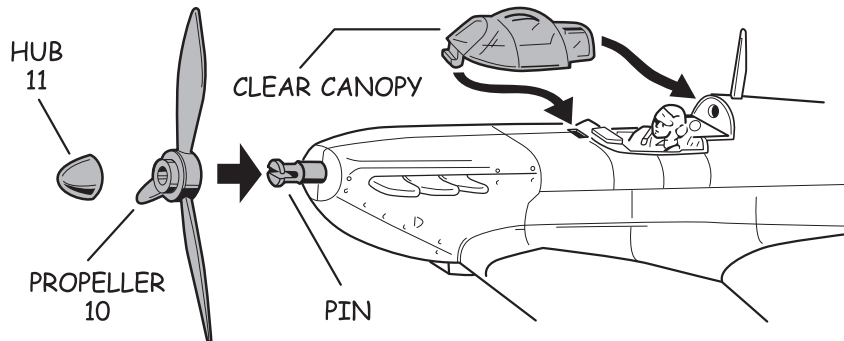
PRESS WHEEL 12 ONTO STRUT 13R.

PRESS STRUT INTO WING BOTTOM.

DO THE SAME FOR OTHER WHEEL 12 AND STRUT 13L.

7

SNAP CLEAR CANOPY INTO PLACE.
SNAP PROPELLER 10 OVER PIN.
PRESS HUB 11 ONTO PROPELLER.
SPIN THE PROPELLER.



MARKINGS: APPLY SELF-STICK DECALS TO MODEL AS SHOWN ON THE BOX TOP.