

DO THE SAME FOR OTHER TREAD HALVES. PRESS HULL HALVES TOGETHER, THEN PRESS TREADS ONTO HULL.

# PATTON TANK



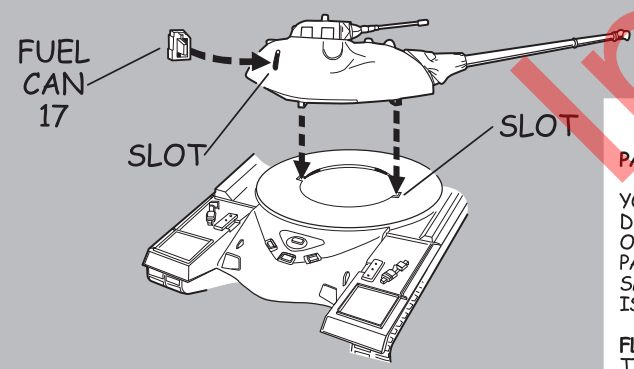
NAMED FOR GENERAL GEORGE S. PATTON, THE M48 IS A RUGGED, HIGH PERFORMANCE COMBAT VEHICLE. FULLY LOADED IT WEIGHS OVER 50 TONS. THE MAXIMUM SPEED ATTAINABLE IS 30 MPH ON LEVEL GROUND. IT IS CAPABLE OF CLIMBING A 60 DEGREE GRADE WITH A FULL LOAD CARRYING 305 GALLONS OF FUEL. IT HAS A MAXIMUM CRUISING RANGE OF 194 MILES AT AN AVERAGE SPEED OF 24 MPH.

WHILE THIS IS A SNAP TOGETHER KIT AND NEEDS NO CEMENT TO JOIN THE PARTS FOR A STRONGER MODEL. THERE'S NO REASON WHY YOU CAN'T USE WHY YOU CAN'T USE CEMENT TO JOIN THE PARTS FOR A STRONGER MODEL.

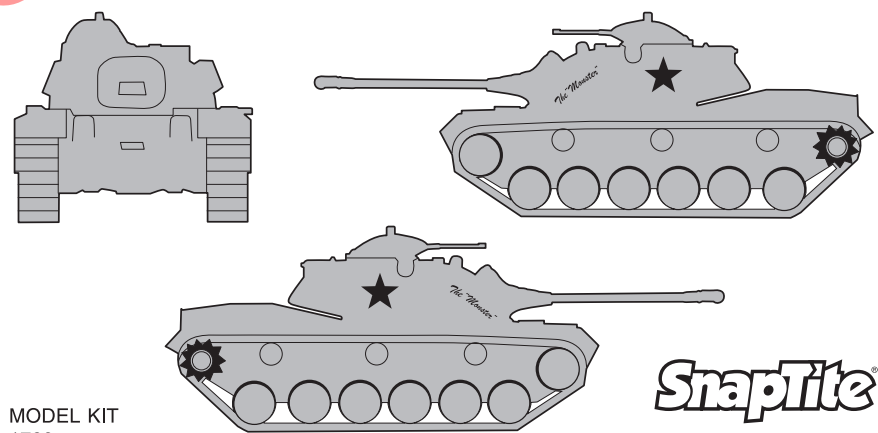


JUST FOLLOW THE EASY STEPS, YOU DON'T NEED CEMENT ON THIS SNAP-TITE MODEL.

PRESS FUEL CANS INTO TURRET. PLACE TURRET INTO HULL. NOW, TURN TURRET BACK AND FORTH.



**PAINTING**  
YOU CAN PAINT THE DETAILS LISTED. USE ONLY ENAMEL OR PAINT FOR PLASTICS. A SMALL POINTED BRUSH IS BEST FOR DETAILS...  
**FLAT BLACK** - TREADS, TIPS OF GUN AND CANNON.



MODEL KIT 1729



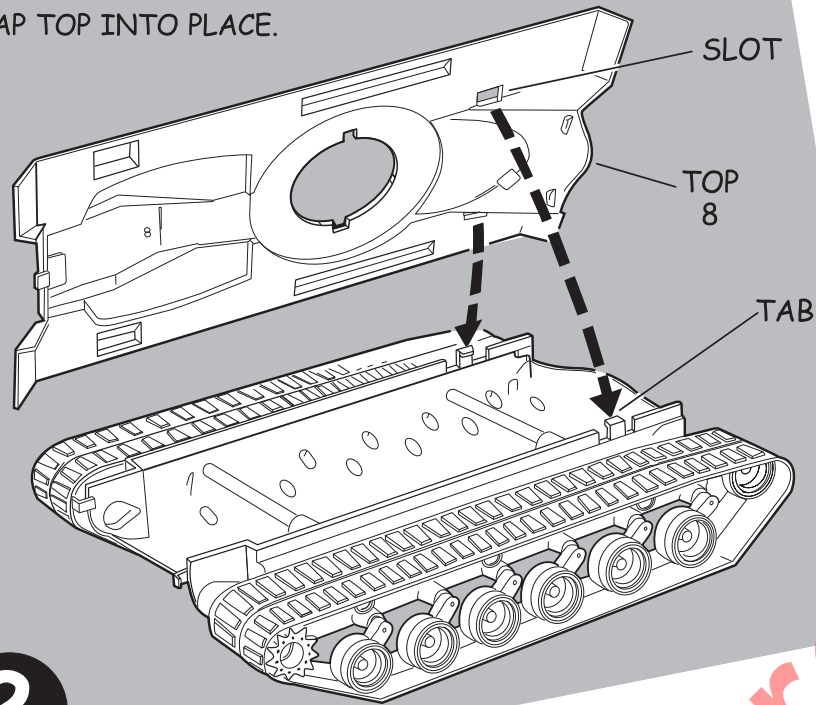
# U.S. PATTON TANK

APPLY SELF-STICK DECALS TO MODEL AS SHOWN ON THE BOX TOP.



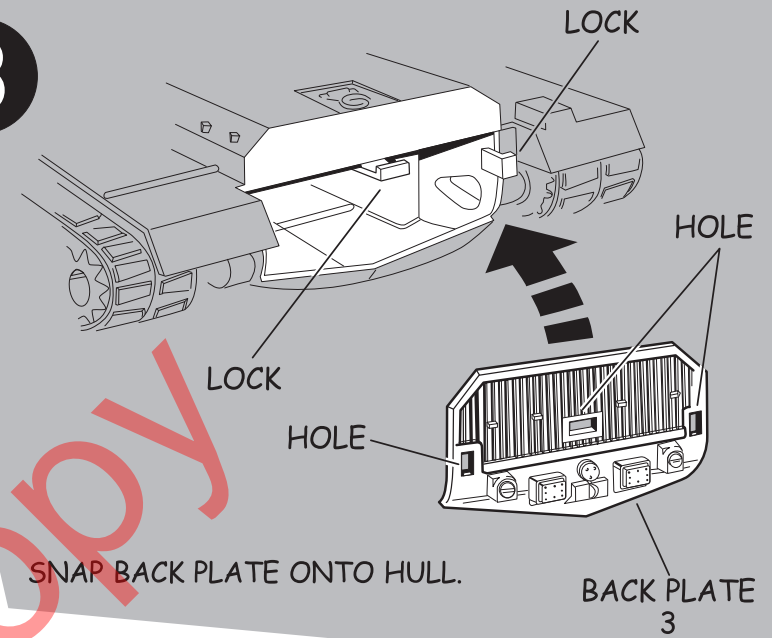
If you have any questions or comments, call our hotline at: (800) 833-3570 or, please write to:  
Revell-Monogram Consumer Service Department, 725 Landwehr Road, Northbrook, Illinois 60062  
Be sure to include the plan number (85172900200), part number, description, your return address and phone number.  
Visit our website: [www.revellmonogram.com](http://www.revellmonogram.com)

SNAP TOP INTO PLACE.



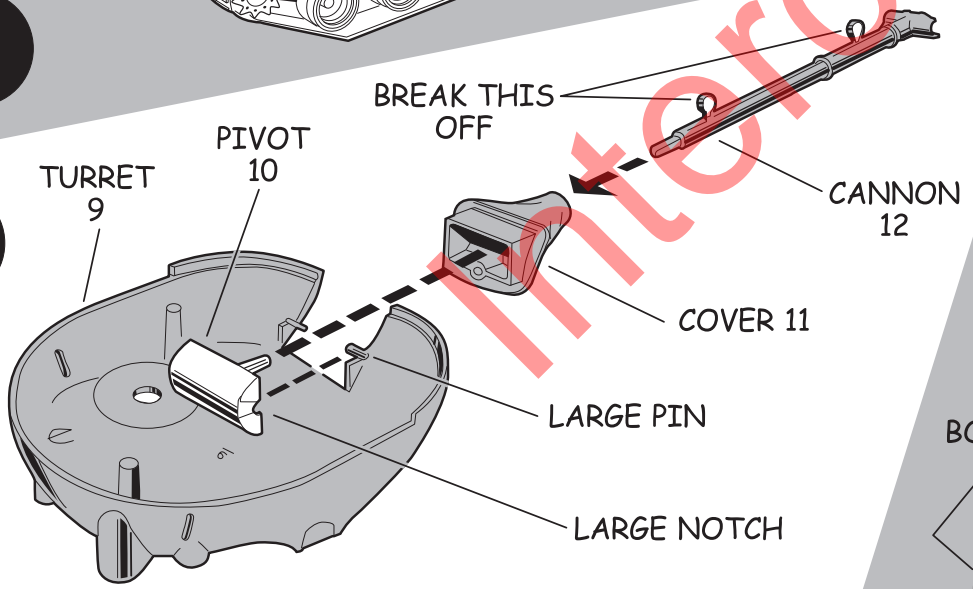
2

3



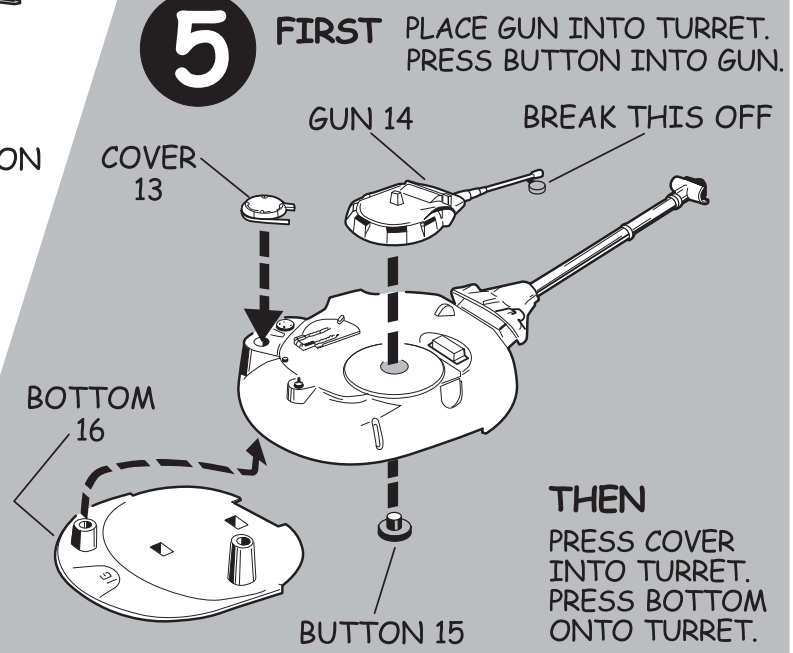
SNAP BACK PLATE ONTO HULL.

4



PRESS CANNON INTO COVER.  
PLACE LARGE NOTCH IN PIVOT OVER LARGE PIN ON TURRET.  
PRESS COVER AND CANNON ONTO PIVOT.

5



FIRST PLACE GUN INTO TURRET.  
PRESS BUTTON INTO GUN.

THEN  
PRESS COVER  
INTO TURRET.  
PRESS BOTTOM  
ONTO TURRET.