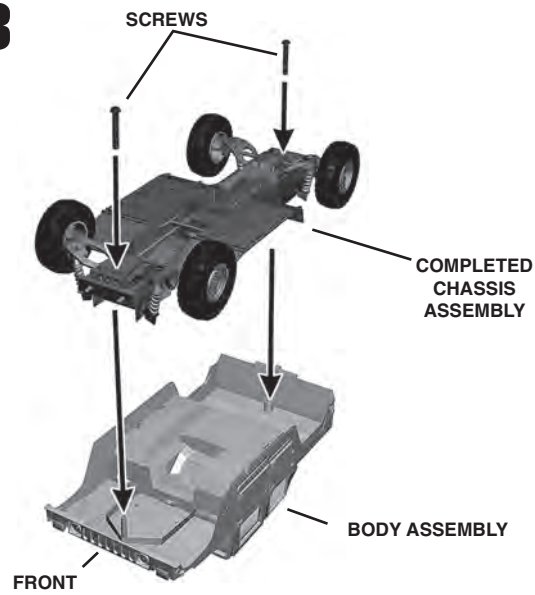


Step 13



Step 14



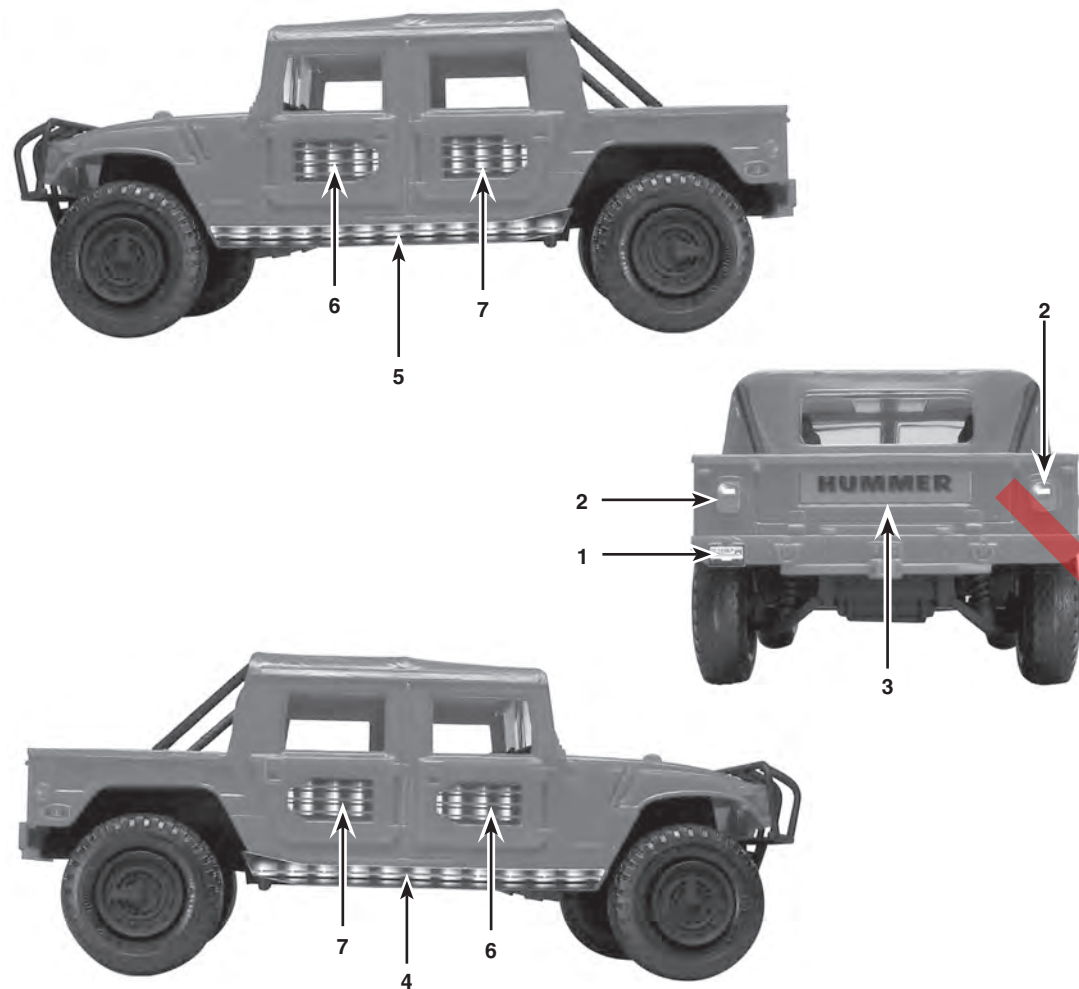
Completed Assembly



ANY UNUSED PARTS MAY BE DISCARDED

Step 15

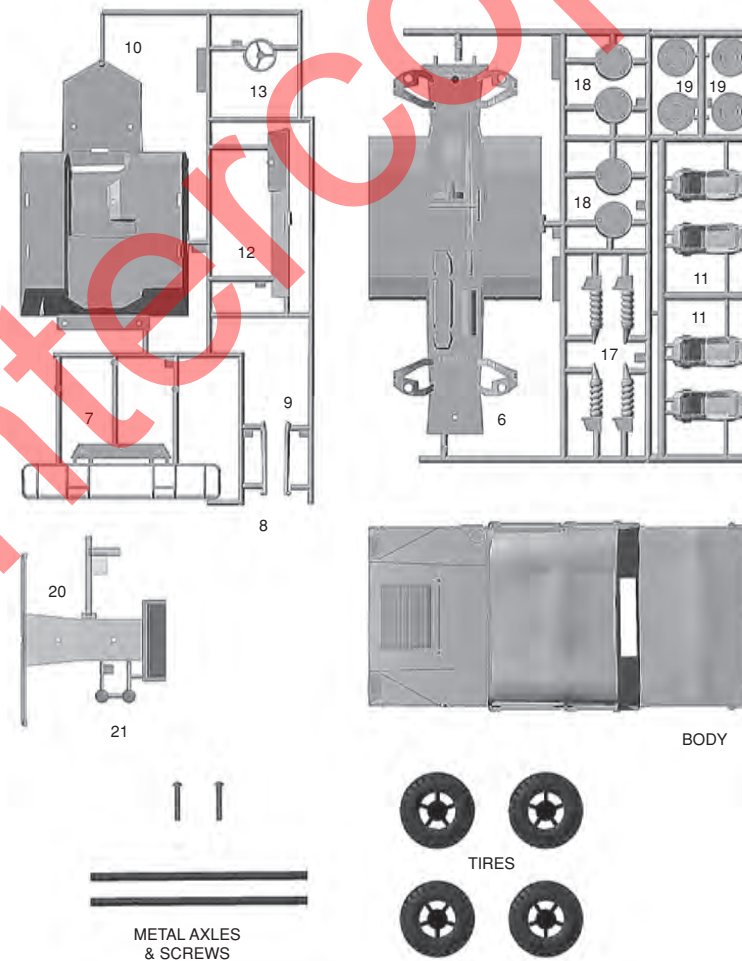
Sticker Placement Guide



NOTE:

When applying stickers, avoid touching the "sticky" side to prevent finger prints on stickers. Bend sticker sheet slightly to lift edge of sticker & use a fingernail to lift sticker from sheet. Line up sticker on body and press an edge into place, slowly working sticker with a finger nail until sticker is fully on model.

Parts Included



KIT 1907

85190710200

HUMMER

AM General's Hummer is one of most rugged and capable 4X4's ever built. Development of the Hummer originally began in 1979, when the U.S. Army needed a High Mobility Multi-Purpose Wheeled Vehicle (HMMWV, or "Humvee" for short). The Hummer quickly proved itself as a highly versatile, effective military vehicle, and became so popular that AM General introduced a civilian version of the Hummer in 1992. The Hummer remains in widespread use in the U.S. Army and commercial industries, and is a very popular "status" vehicle among the general public.

The Hummer's main body is made of a strong, heat-treated aluminum alloy, held together with more than 2,800 rivets for unmatched durability. It features a 4-wheel, fully independent suspension system with heavy-duty springs and hydraulic shock absorbers, plus a Central Tire Inflation System (CTIS) that enables the driver to inflate or deflate the Hummer's tires right from the driver's seat for better traction. With its low center of gravity, 72 inch track width, and a full 16 inches of ground clearance, the Hummer can tackle almost any road terrain, and with a snorkel kit, it is capable of fording 60 inches of water.

Your Revell SnapTite model kit features easy snap and screw together assembly, accurate body with separate brush guard, free rolling wheels on metal axles, and colorful customizing stickers. Enjoy



building your kit of



* REMOVE AND THROW AWAY
* A RETIRER ET JETER



* REPEAT SEVERAL TIMES
* A REPETER PLUSIEURS FOIS



* REPEAT SEVERAL TIMES
* A REPETER PLUSIEURS FOIS



* APPLY STICKERS
* APPLIQUEZ LES AUTO-COLLANTS

READ BEFORE YOU BEGIN

- CLEAR A SPACE TO WORK ON
- STUDY THE ASSEMBLY DRAWINGS BEFORE YOU BEGIN
- EACH PLASTIC PART IS IDENTIFIED BY A PART NUMBER
- DO NOT OVER TIGHTEN SCREWS
- SEE NOTE ABOUT APPLYING STICKERS IN STEP #15

CAUTION:

POSITION ALL PARTS IN THIS KIT CAREFULLY. PARTS WILL ONLY SNAP TOGETHER ONCE.

If you have any questions or comments, call our hotline at: (800) 833-3570 or, please write to:

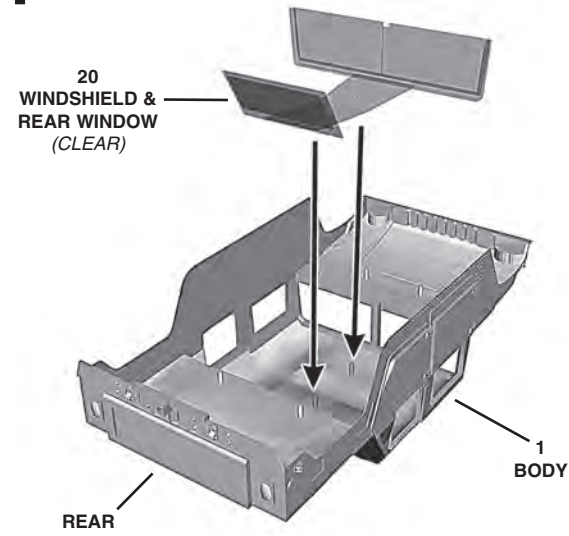
Revell-Monogram Consumer Service Department, 725 Landwehr Road, Northbrook, Illinois 60062

Be sure to include the plan number (85190710200), part number, description, your return address and phone number.

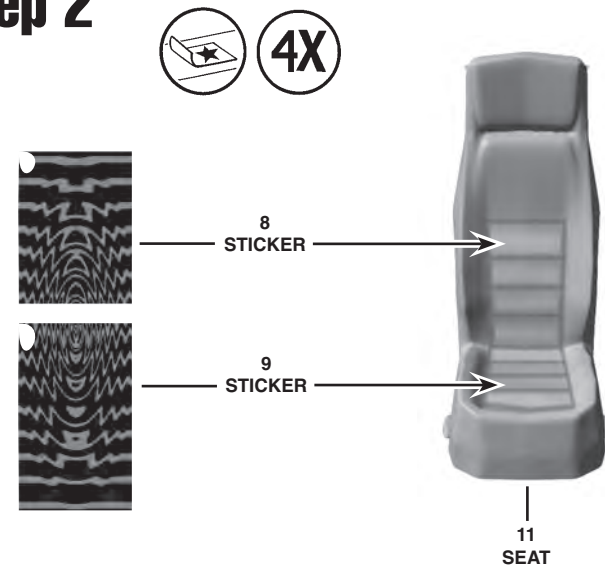
Visit our website: www.revell-monogram.com

REVELL-MONOGRAM LLC Northbrook, IL. Copyright © 2003. All rights reserved.

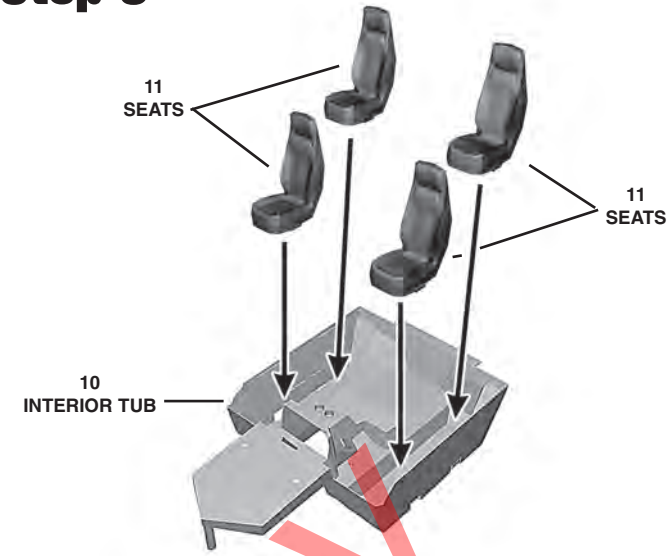
Step 1



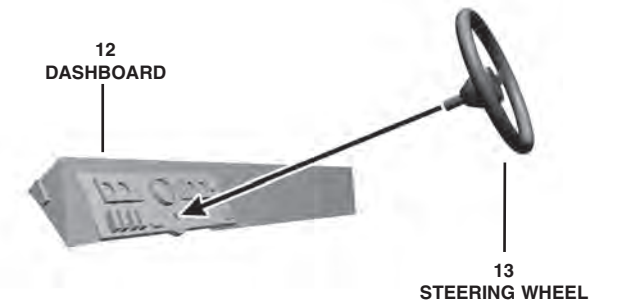
Step 2



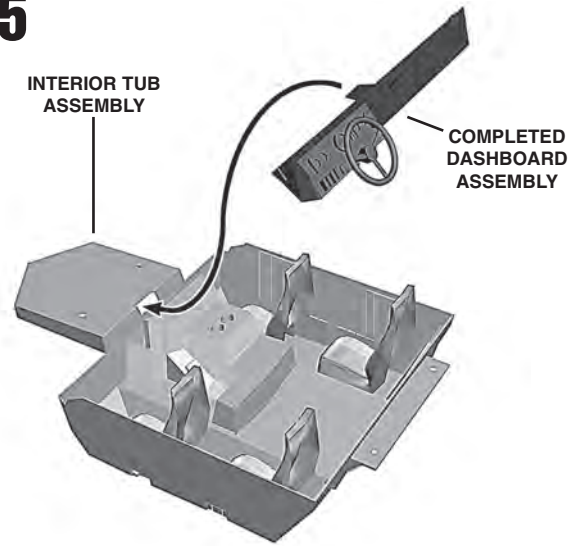
Step 3



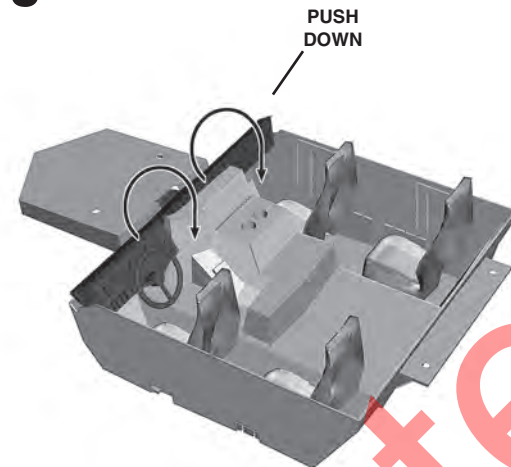
Step 4



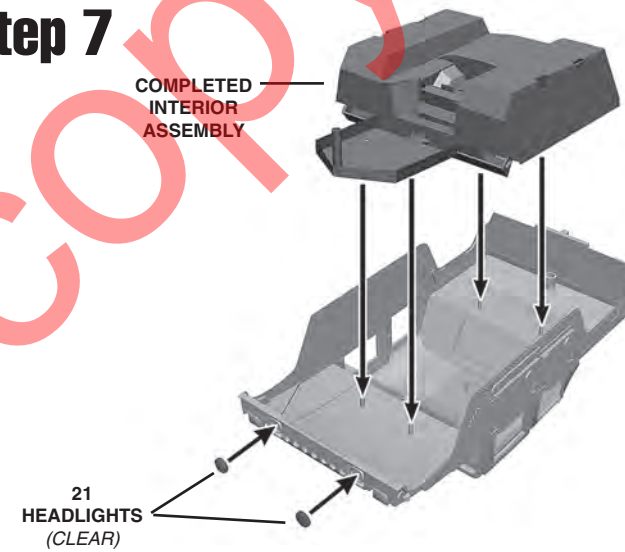
Step 5



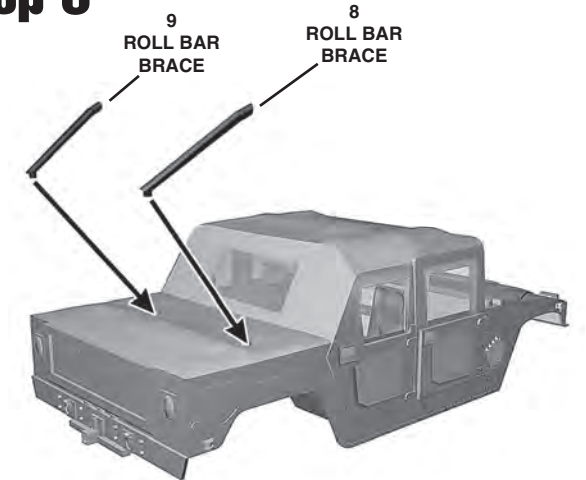
Step 6



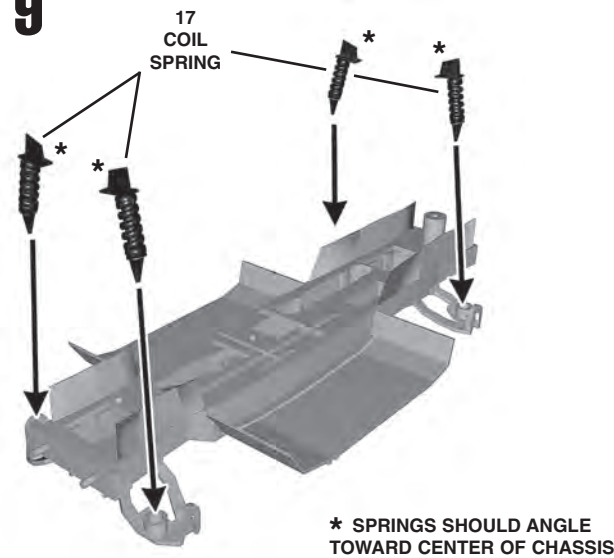
Step 7



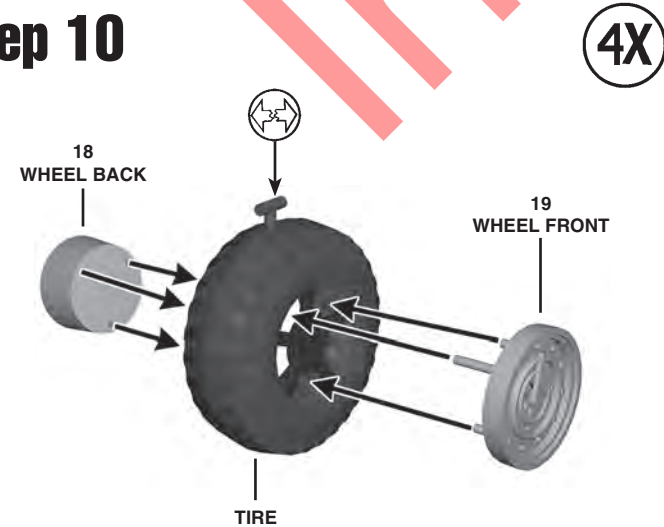
Step 8



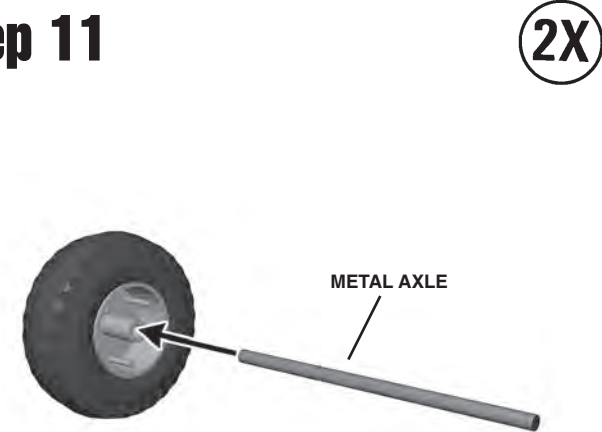
Step 9



Step 10



Step 11



Step 12

