

# Revell®

KIT 1942

85194200200

## 2006 CORVETTE® Z06™

Today's Z06™ brings a new 7 liter V-8 engine developing an amazing 505 horsepower and 470 ft-lbs of torque at 4800 rpm. Zero to 60 mph times of about three and half seconds and a top speed of 198 mph are claimed. To handle this power all drive train components have been strengthened and the normally removable roof panel stays fixed in place on the stiffened body. A dry-sump type oil system has been installed so the engine oil doesn't all shift to one side and starve the big V-8 of needed lubrication during hard cornering. Again, weight is the key to speed and the Z06™ is the lightest of the C6 Corvette® models but this time you don't have to give up anything. Climate control, power everything, heated leather seats-it's all available and the car is docile enough to drive to work everyday in your best suit. With an initial base price of about \$65,000 the Z06™ isn't exactly inexpensive but you could spend twice as much and not have a better performing sports car so in that way it's a relative bargain. Look at it as an iron fist in a velvet glove.

Your 2006 Z06 1:25 scale model has accurate Z06 body work, an authentically detailed interior and chassis with rolling wheels. Add the custom peel "n stick decals, stand back and admire a true American automotive icon.



\* REPEAT SEVERAL TIMES  
\* A REPETER PLUSIEURS FOIS



\* OPTIONAL PARTS  
\* PIECES EN OPTION



\* DECAL  
\* DECAL COMANIE



\* ALTERNATIVE ASSEMBLY  
\* ENSEMBLAGE ALTERNATIVE



\* CEMENT TOGETHER  
\* A COLLER



\* REMOVE AND THROW AWAY  
\* A RETIRER ET JETER



\* DO NOT CEMENT  
\* NE PAS COLLER

### READ THIS BEFORE YOU BEGIN

- \* Study the assembly drawings.
- \* Each plastic part is identified by a number.
- \* In the assembly drawings, some parts will be marked by a star (★) to indicate chrome plated plastic.
- \* For better paint and decal adhesion, wash the plastic parts in a mild detergent solution. Rinse and let air dry.
- \* Check the fit of each piece before cementing in place.
- \* Use only cement for polystyrene plastic.
- \* Scrape plating and paint from areas to be cemented.
- \* Allow paint to dry thoroughly before handling parts.
- \* Any unused parts may be discarded.

### LIRE CE QUI SUIT AVANT DE COMMENCER

- \* Etudier les schémas de montage.
- \* Chaque pièce en plastique est identifiée par un numéro.
- \* Sur les schémas de montage, certaines pièces sont marquées d'une étoile (★) pour indiquer qu'elles sont en plastique chromé.
- \* Pour une meilleure prise de la peinture et des autocollants, laver les pièces en plastique avec une solution détergente peu concentrée. Les rincer et les laisser sécher à l'air.
- \* Vérifier que chaque pièce s'ajuste bien avant de la coller en place.
- \* N'utiliser que de la colle pour polystyrène.
- \* Gratter les parties à coller pour enlever le chrome et la peinture.
- \* Laisser la peinture bien sécher avant de manipuler les pièces.
- \* Toute pièce inutilisée peut être jetée.

If you have any questions or comments, call our hotline at: **(800) 833-3570**  
or, please write to:

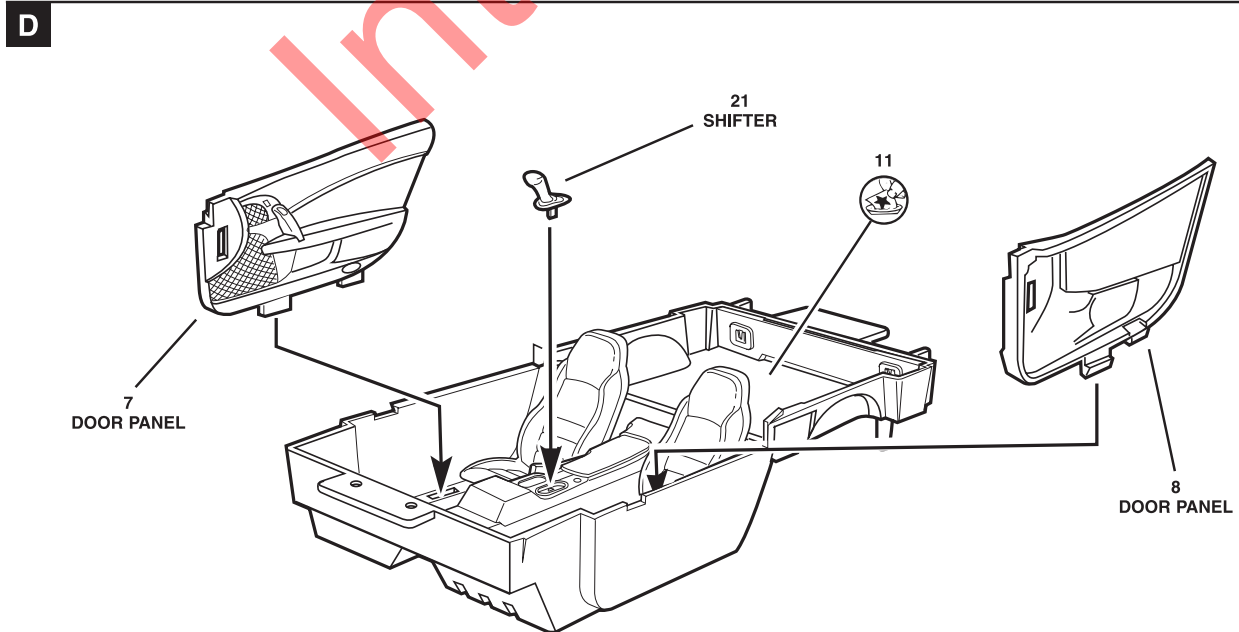
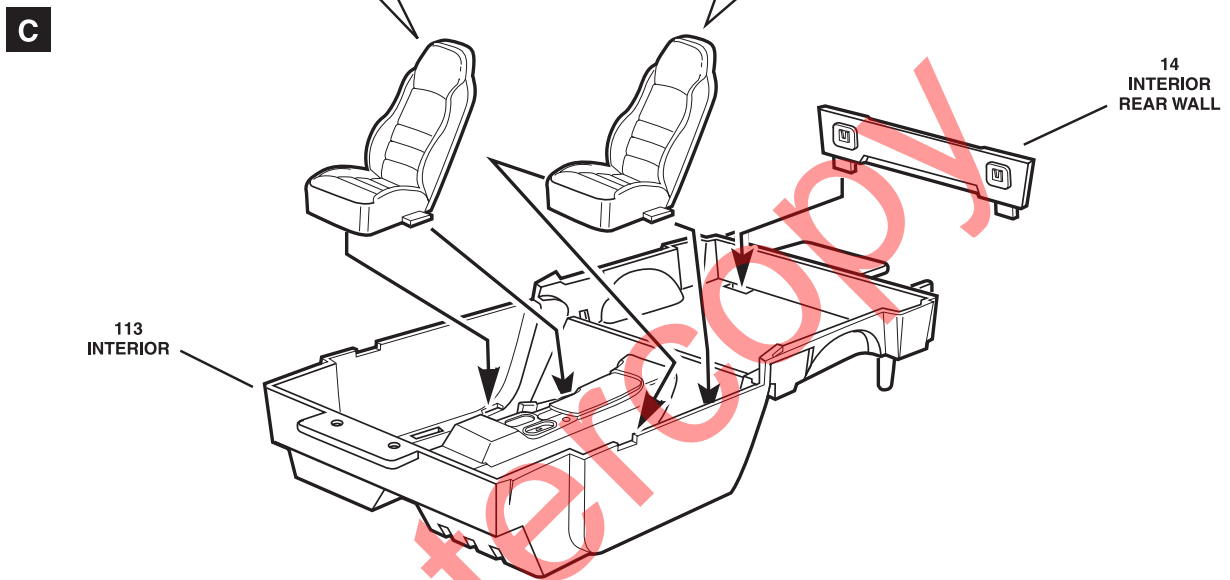
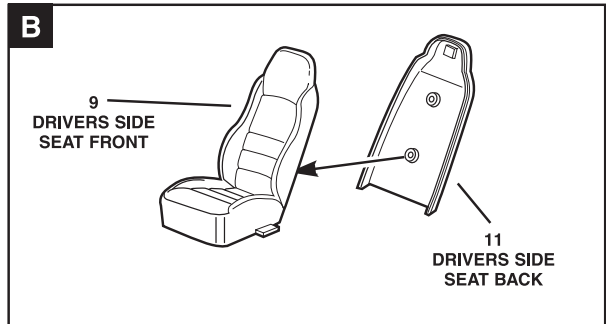
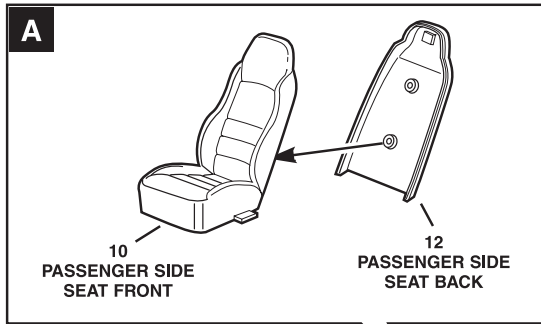
**Revell-Monogram Consumer Service Department, 725 Landwehr Road, Northbrook, Illinois 60062**

*Be sure to include the plan number (85194200200), part number, description, your return address and phone number.*

Visit our website: [www.revell.com](http://www.revell.com)

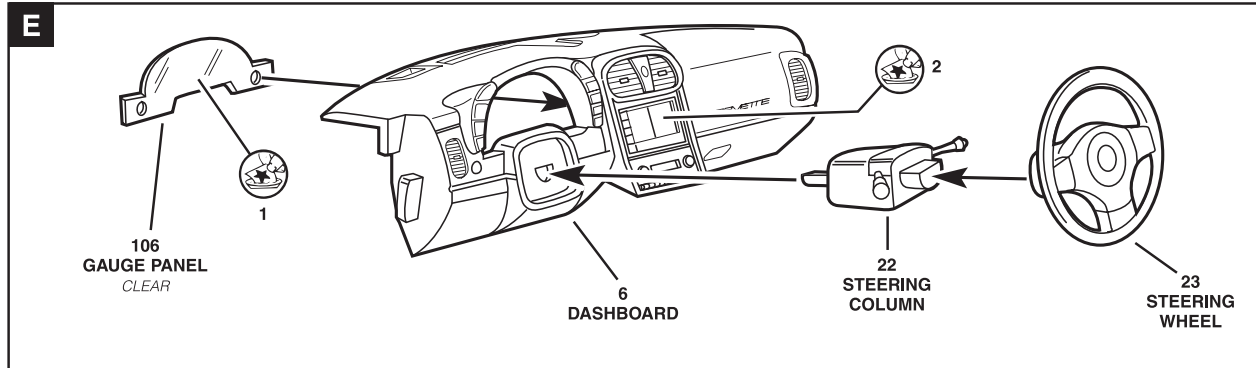
# 1

# INTERIOR ASSEMBLY

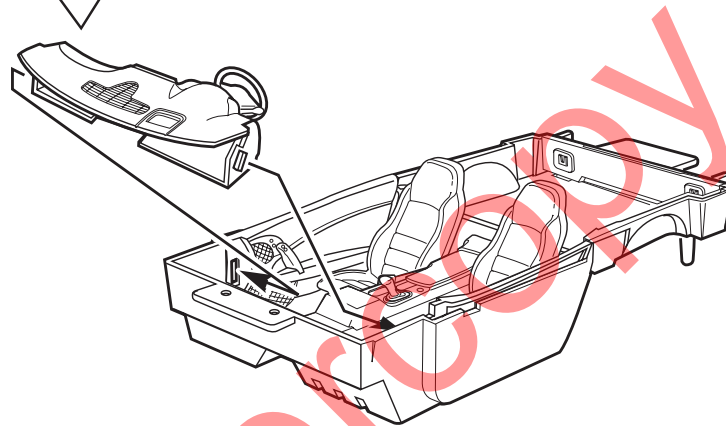


# 1

## INTERIOR ASSEMBLY CONTINUED

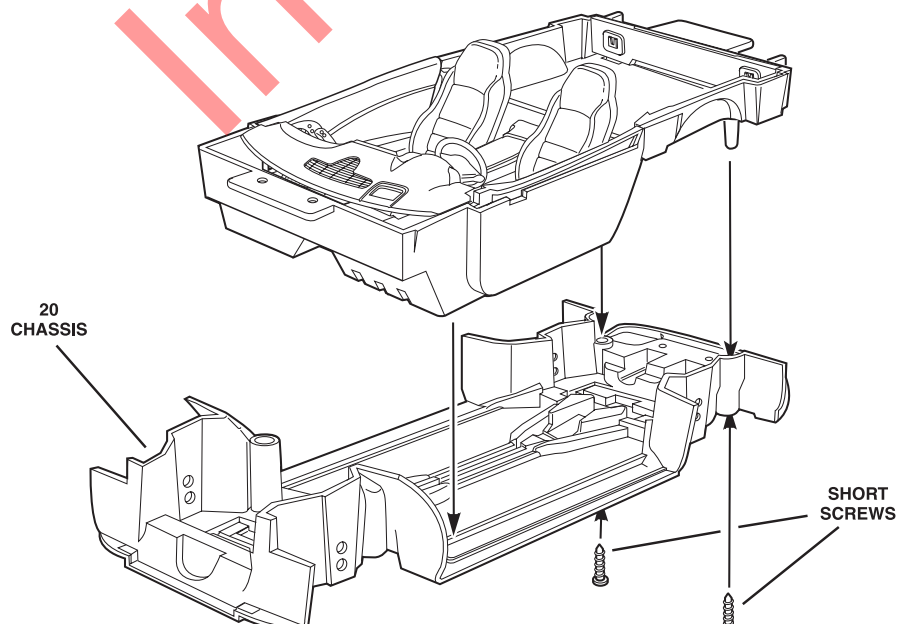


**F**



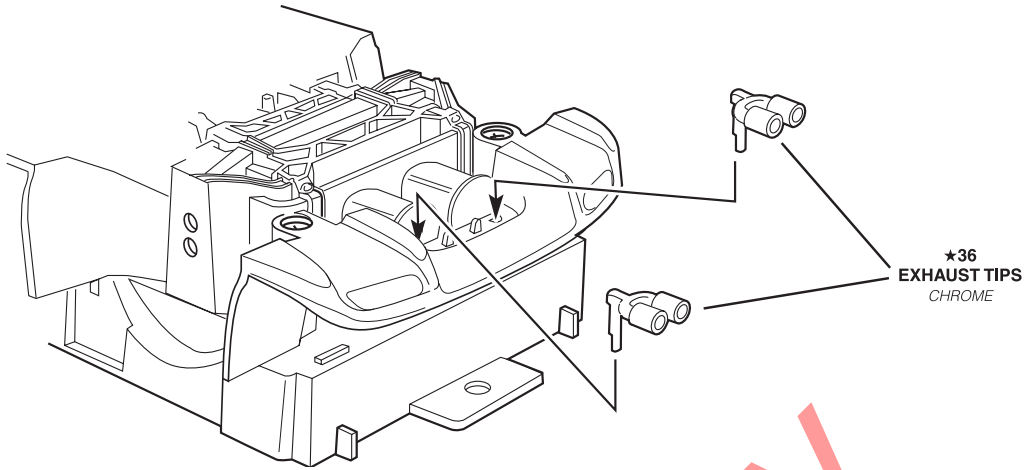
# 2

## INTERIOR TO CHASSIS ASSEMBLY



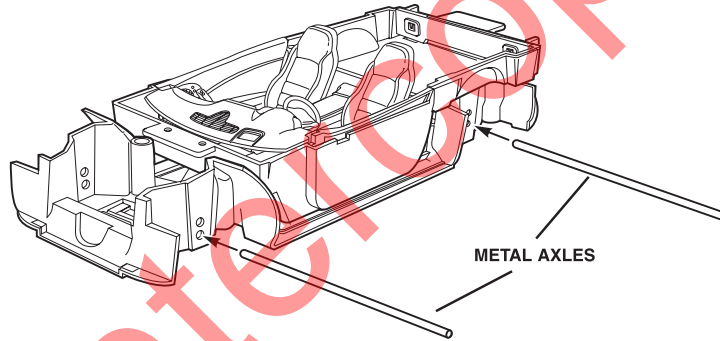
**3**

# EXHAUST ASSEMBLY



**4**

# AXLE ASSEMBLY

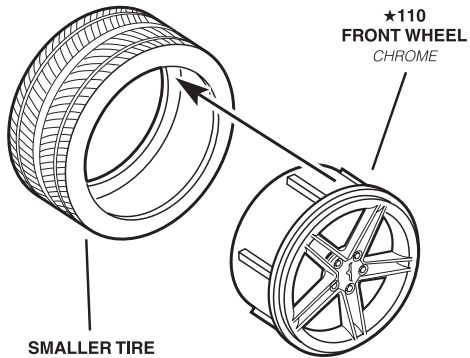


**5**

# WHEEL ASSEMBLY

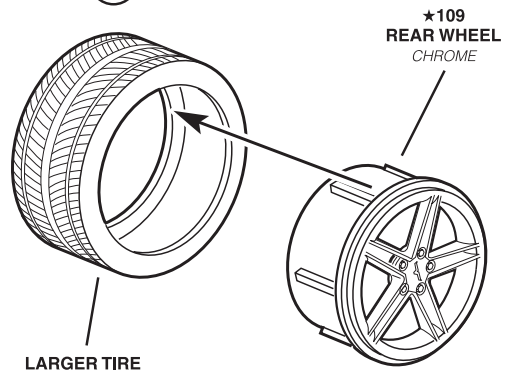
**FRONT**

**(2X)**



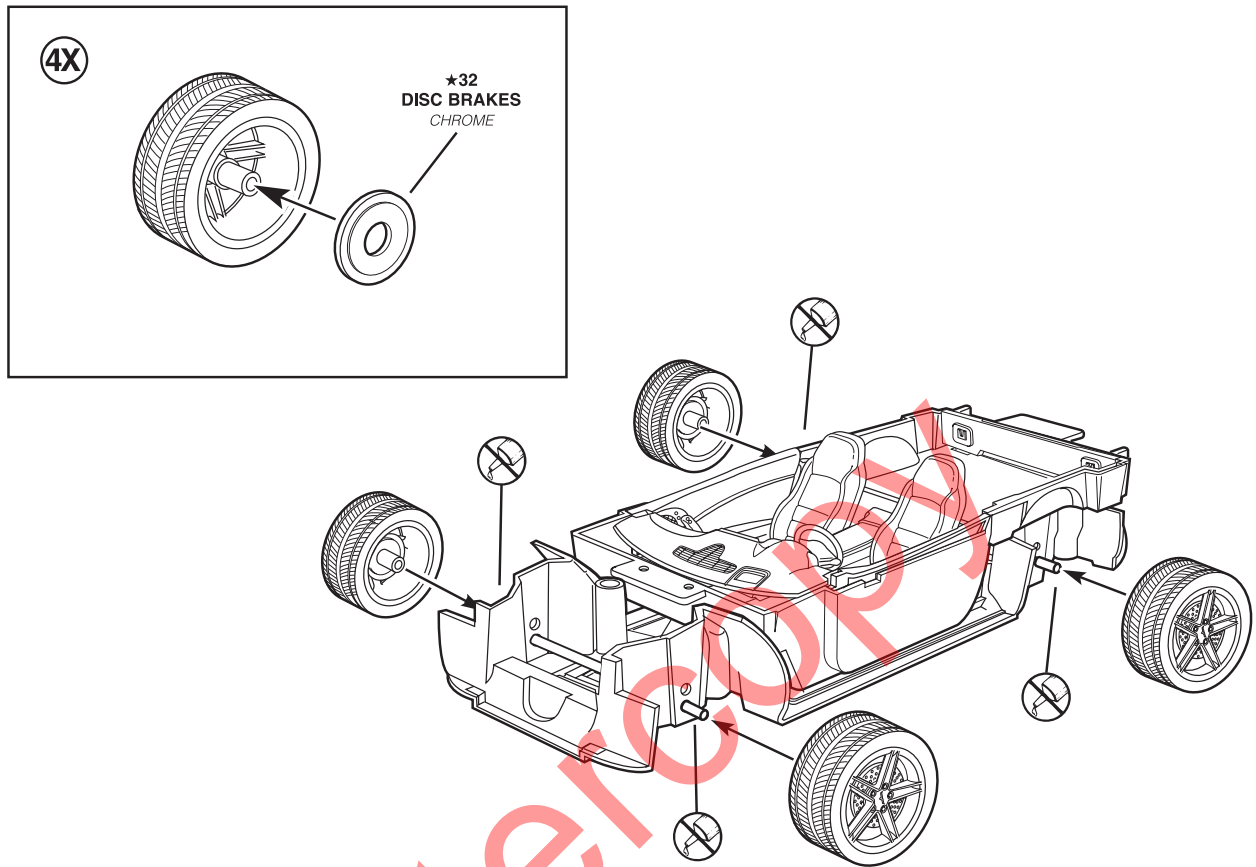
**REAR**

**(2X)**



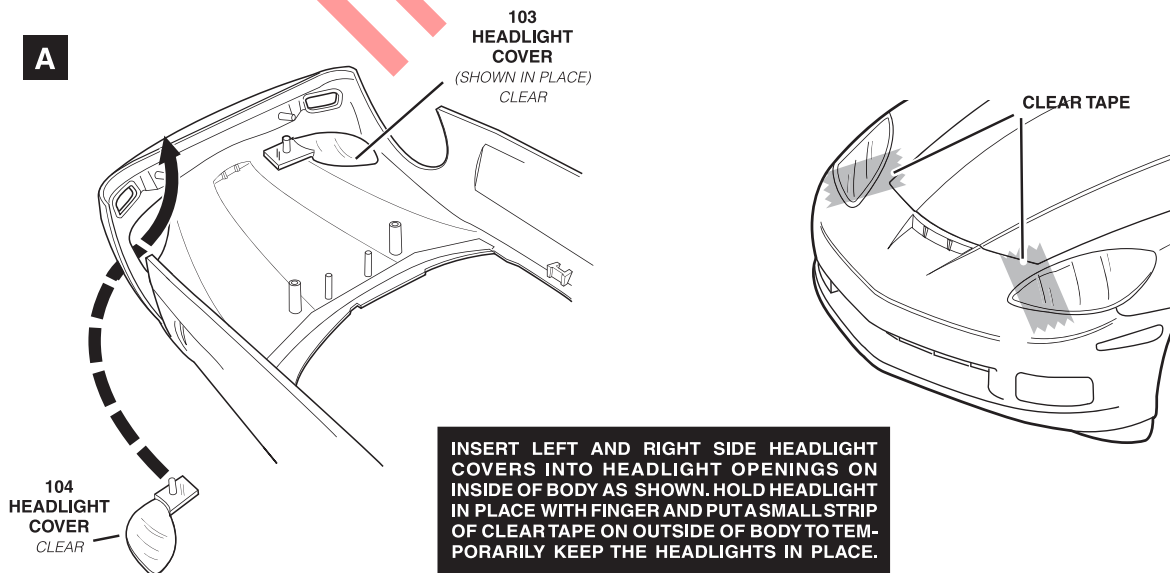
# 5

# WHEEL ASSEMBLY CONTINUED



# 6

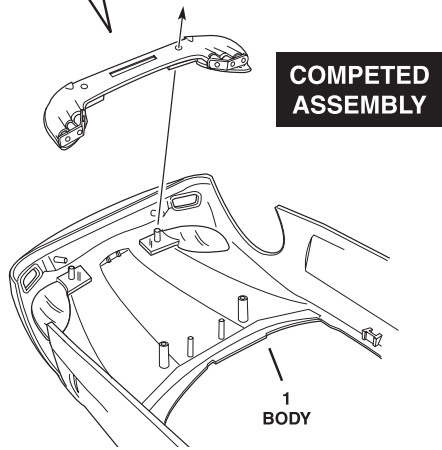
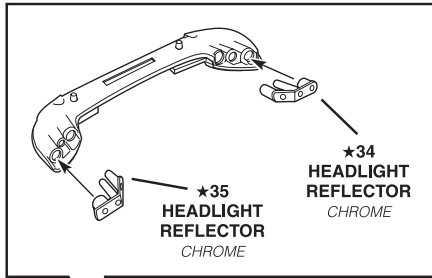
# FRONT LENS/HEADLIGHT ASSEMBLY



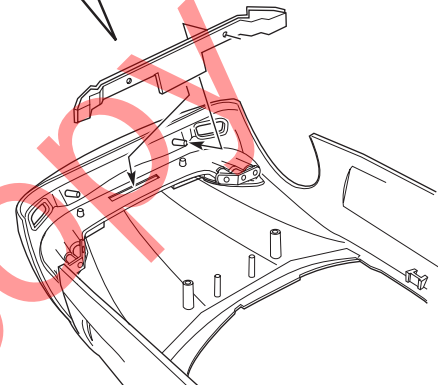
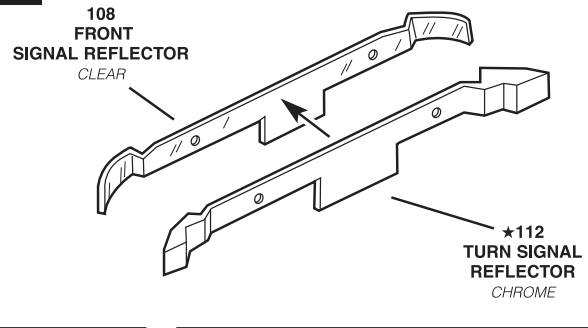
# 6

## FRONT ASSEMBLY CONTINUED

**B**



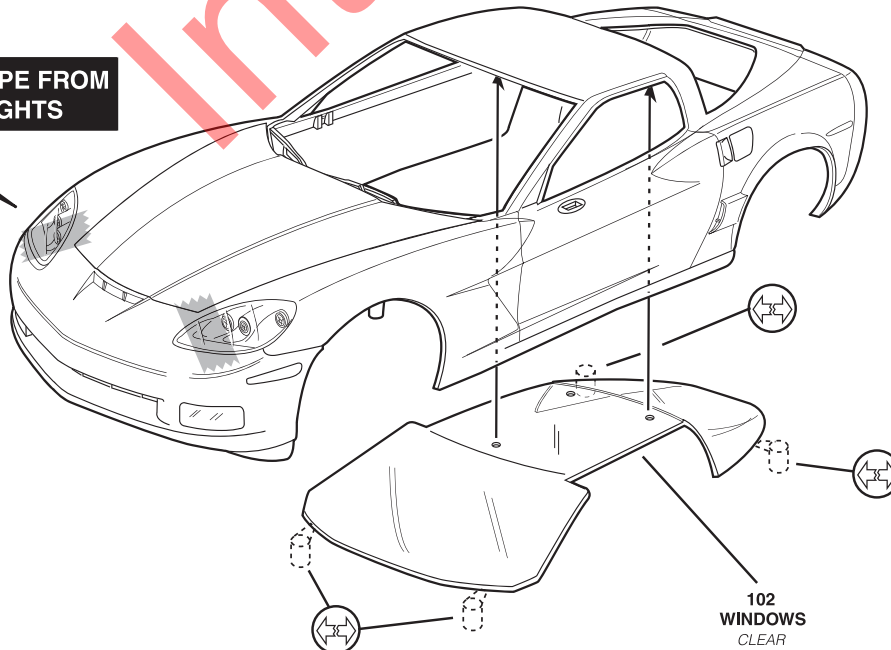
**C**



# 7

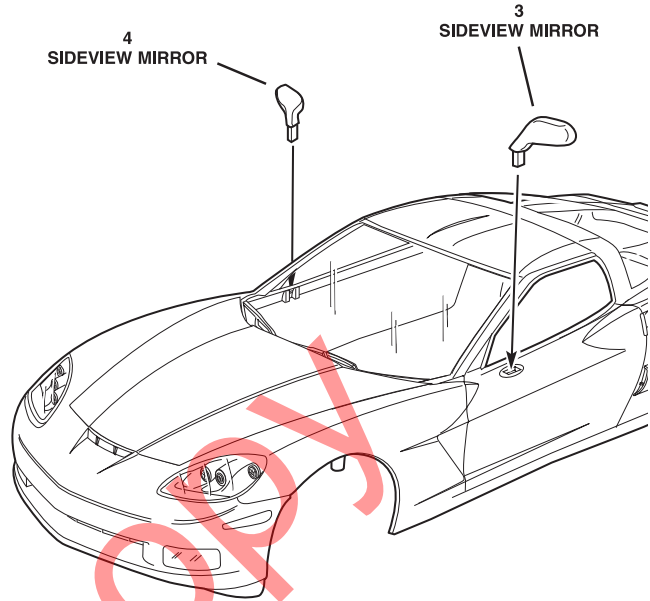
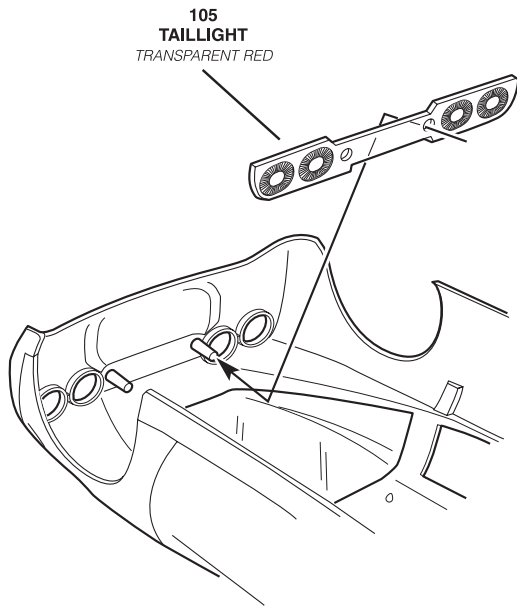
## WINDOW ASSEMBLY

**REMOVE TAPE FROM HEADLIGHTS**



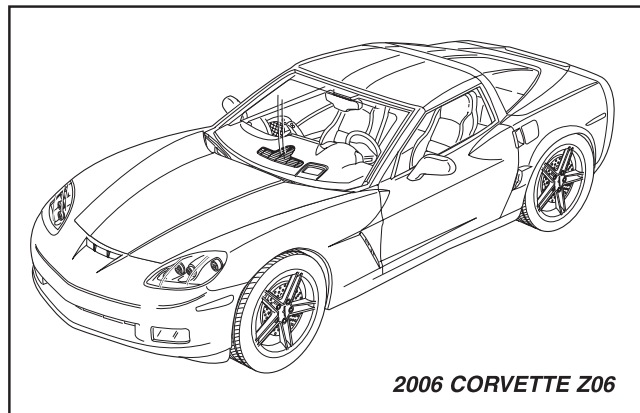
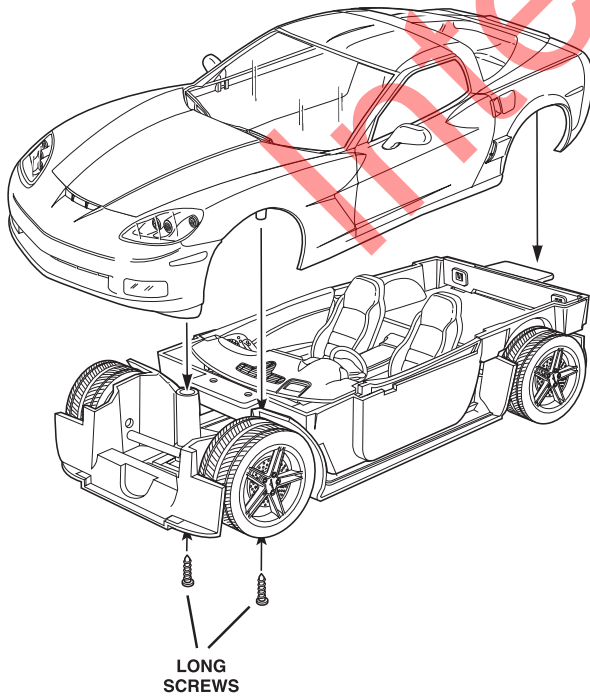
**8**

# REAR / MIRRORS ASSEMBLY



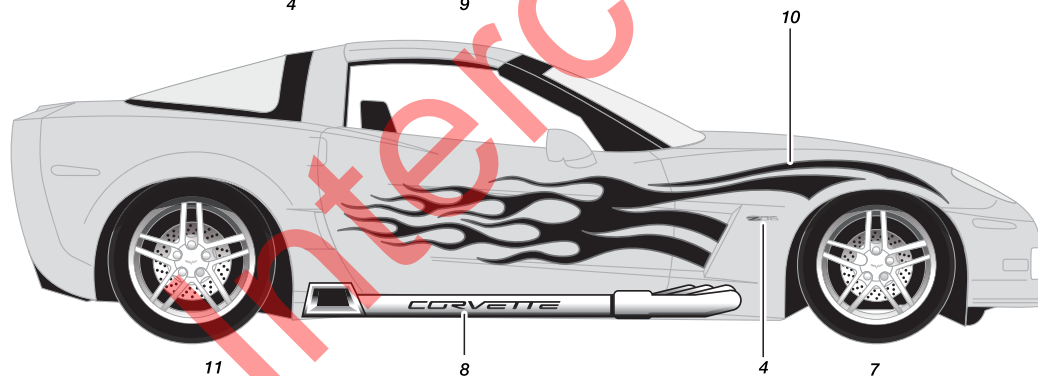
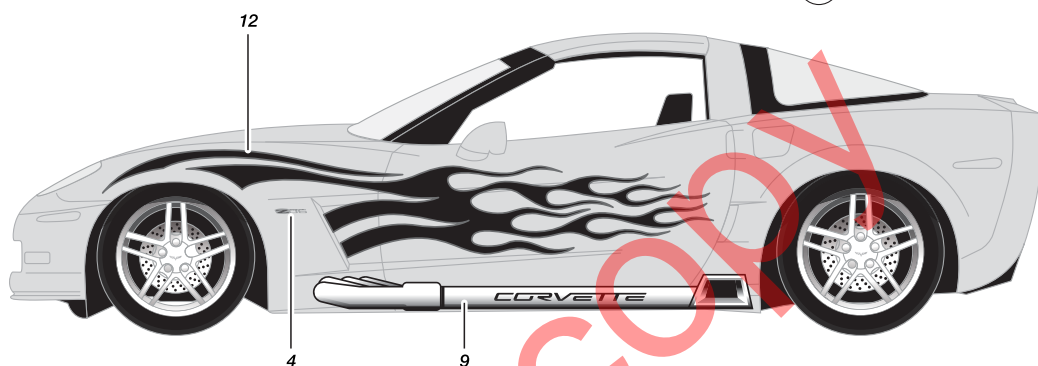
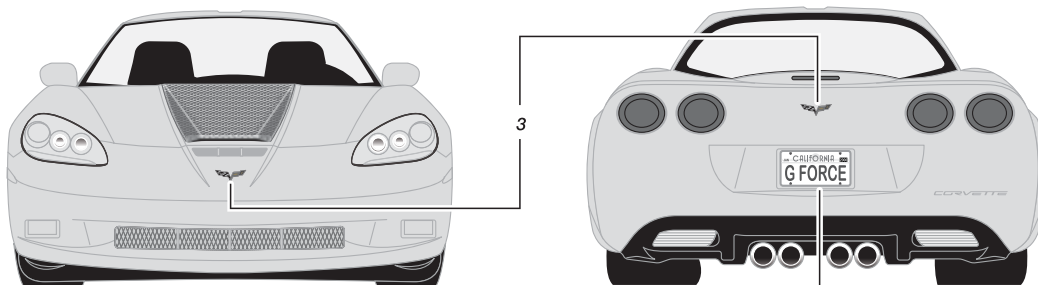
**9**

# FINAL ASSEMBLY



# 10

# DECAL PLACEMENT



11  
(See step #1 for details)

