

Revell®

KIT 2033

85203300200

FERRARI F430

Designated as the replacement model to the 360 Modena, the new Ferrari F430 has some rather large shoes to fill. However, the folks at the Ferrari factory will seldom disappoint. With much of the engineering work done at the Ferrari Formula 1 racing facility, it's fair to say that the F430 is a street-legal race car.

Starting with the basics, the F430 comes equipped with a new 4.3 liter V-8 developing 490 horsepower without a turbocharger or supercharger. The 11.3 to 1 compression ratio requires the use of not one, but four knock sensors. With a curb weight of just under 3,200 pounds, you'll see 60 mph from a standing start in just four seconds. Top end is north of 190 mph, if you dare.

The F430 is the world's first production car to feature as standard equipment the Ferrari electronic differential (E-Diff) that was initially developed for the F1 program. This controls the amount of the car's substantial power sent to each of the rear wheels. Also new is the rotary switch mounted on the steering wheel (known to the F1 drivers as the "manettino") which directly controls the integrated systems governing vehicle dynamics. With these systems, limited wheel spin and as you might expect, incredible handling and road holding are yours.

Besides a conventional manual transmission, you can also specify the F1 paddle shift 6 speed gearbox which is in essence a manual transmission without a clutch. With it, you can bang off upshifts in just 150 milliseconds. (That's right-*milliseconds*). You (and your insurance agent) will be pleased to know that the F430 can stop as well as it can go. For extreme braking capability, order the optional carbon-ceramic brakes from the \$675,000 Enzo, just \$14,000 additional. Other options include an upgraded audio system, your choice of 12 colors for your leather upholstery and Bluetooth capability so you can use your cell phone while keeping both hands busy with the business of piloting your F430, something we highly recommend.

If you would like your own full-size F430, we'd suggest you hurry on down to your local dealer as Ferrari traditionally builds cars in limited numbers. Be prepared to write a check for approximately \$175,000 and don't even ask about maintenance costs-it's been written that engine oil will set you back \$72 a quart. Makes your new Revell scale model kit seem like the bargain of the century, don't you think?



* REPEAT SEVERAL TIMES
* A REPETER PLUSIEURS FOIS



* OPTIONAL PARTS
* PIECES EN OPTION



* DECAL
* DECAL COMANIE



* ALTERNATIVE ASSEMBLY
* ENSEMBLAGE ALTERNATIVE



* CEMENT TOGETHER
* A COLLER



* REMOVE AND THROW AWAY
* A RETIRER ET JETER



* DO NOT CEMENT
* NE PAS COLLER

READ THIS BEFORE YOU BEGIN

- * Study the assembly drawings.
- * Each plastic part is identified by a number.
- * In the assembly drawings, some parts will be marked by a star (★) to indicate chrome plated plastic.
- * For better paint and decal adhesion, wash the plastic parts in a mild detergent solution. Rinse and let air dry.
- * Check the fit of each piece before cementing in place.
- * Use only cement for polystyrene plastic.
- * Scrape plating and paint from areas to be cemented.
- * Allow paint to dry thoroughly before handling parts.
- * Any unused parts may be discarded.

DECAL APPLICATION INSTRUCTIONS

1. Cut desired decal from sheet.
2. Dip decal in water for a few seconds.
3. Place wet decal on paper towel.
4. Wait until decal is movable on paper backing.
5. Place decal in position on model, face up and slide backing away.
6. Press out air bubbles with a soft damp cloth.
7. Milkiness that may appear is for better decal adhesion and will dry clear. Wipe away any excess adhesive.
8. Do not touch decal until fully dry.
9. Allow the decals 48 hours to dry before applying clear coat.

NOTE: Decals are compatible with setting solutions or solvents.

LIRE CE QUI SUIT AVANT DE COMMENCER

- * Etudier les schémas de montage.
- * Chaque pièce en plastique est identifiée par un numéro.
- * Sur les schémas de montage, certaines pièces sont marquées d'une étoile (★) pour indiquer qu'elles sont en plastique chromé.
- * Pour une meilleure prise de la peinture et des autocollants, laver les pièces en plastique avec une solution détergente peu concentrée. Les rincer et les laisser sécher à l'air.
- * Vérifier que chaque pièce s'ajuste bien avant de la coller en place.
- * N'utiliser que de la colle pour polystyrène.
- * Gratter les parties à coller pour enlever le chrome et la peinture.
- * Laisser la peinture bien sécher avant de manipuler les pièces.
- * Toute pièce inutilisée peut être jetée.

DIRECTIVES D'APPLICATION DES AUTOCOLLANTS

1. Découper l'autocollant désiré de la feuille.
2. Tremper l'autocollant dans de l'eau pendant quelques secondes.
3. Placer l'autocollant mouillé sur une serviette en papier.
4. Attendez que l'autocollant puisse être déplacé sur son support en papier.
5. Mettre l'autocollant en position sur le modèle face sur le dessus et faire glisser le support pour l'enlever.
6. Appuyer avec un chiffon doux humide pour éliminer les bulles d'air.
7. La substance laiteuse qui peut apparaître est destinée à améliorer l'adhésion de l'autocollant et devient incolore au séchage. Essuyer pour enlever tout excédent d'adhésif.
8. Ne pas toucher l'autocollant tant qu'il n'est pas bien sec.
9. Laisser l'autocollant sécher pendant 48 heures avant d'appliquer une couche transparente.

REMARQUE: Les autocollants sont compatibles avec les solutions de fixation ou les solvants.

This paint guide is provided to complete this kit as shown on the box.

Ce guide de peintures est fourni pour reproduire le modèle réduit qui apparaît sur la boîte.

Aluminum	Aluminum
Flat Black	Noir mat
SemiGloss Black	Noir satiné
Gloss Red	Rouge brillant
Desert Tan	Brun clair
Gloss Black	Noir lustre
Flat Red	Rouge mat
Silver	Argenté
Steel	Acier
Flat Brown	Brun mat
Transparent Red	Rouge transparent
Turn Signal Amber	Ambré

If you have any questions or comments, call our hotline at: **(800) 833-3570**
or, please write to:

Revell-Monogram Consumer Service Department, 725 Landwehr Road, Northbrook, Illinois 60062

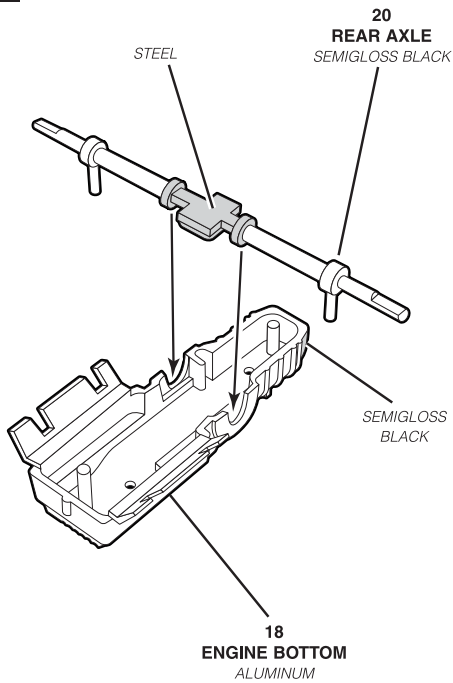
Be sure to include the plan number (85203300200), part number, description, your return address and phone number.

Visit our website: www.revell.com

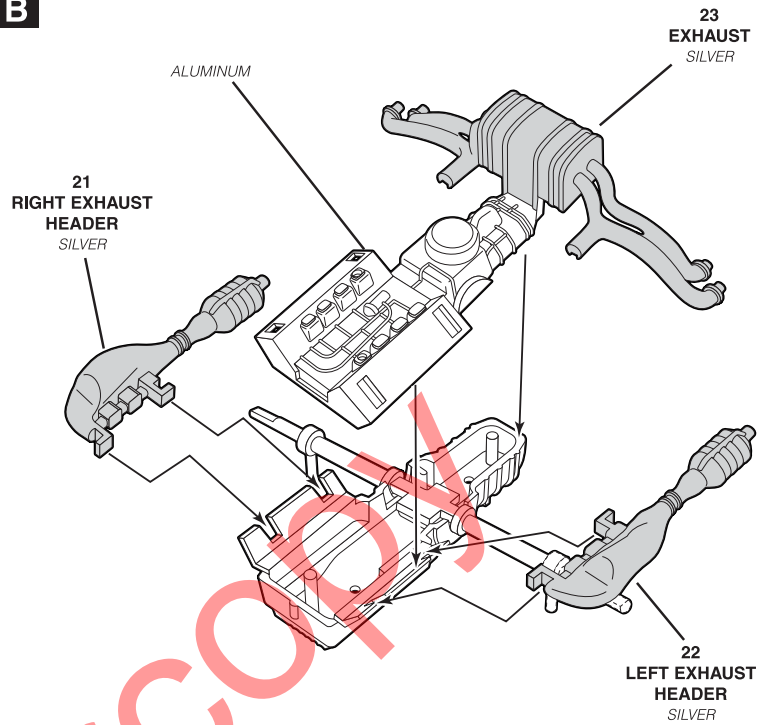
1

ENGINE ASSEMBLY

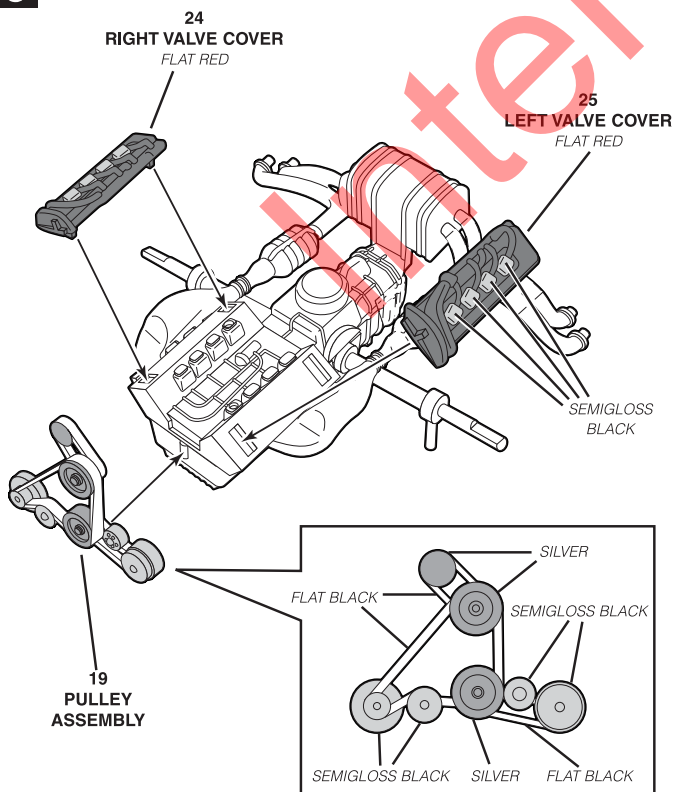
A



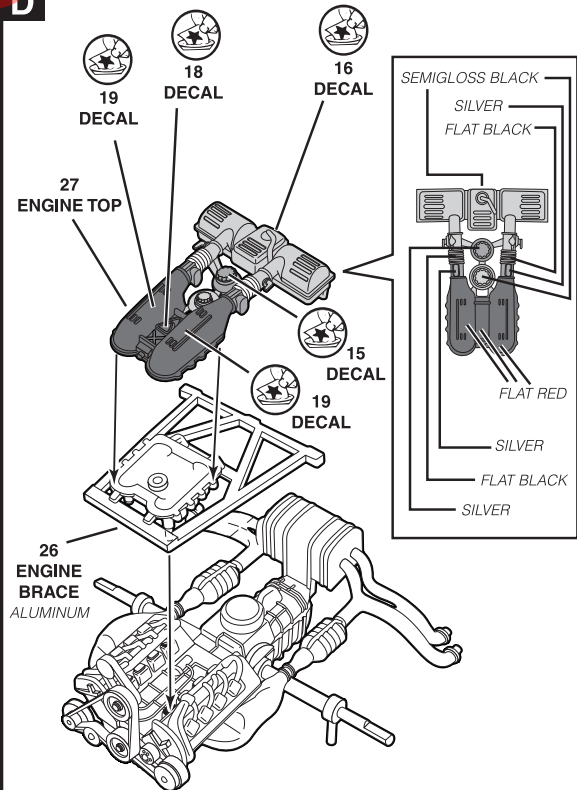
B



C

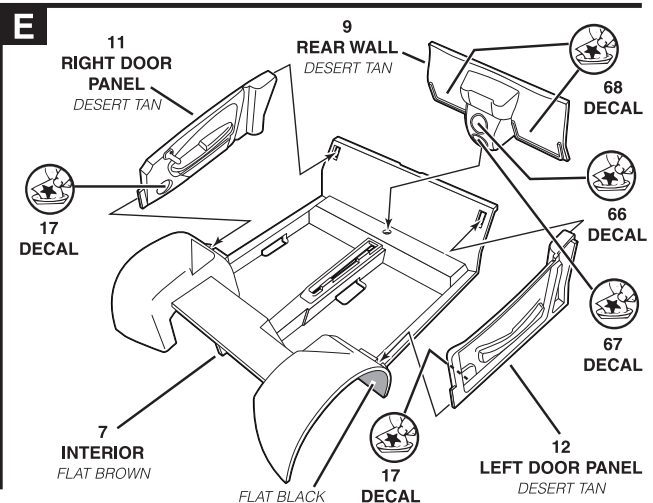
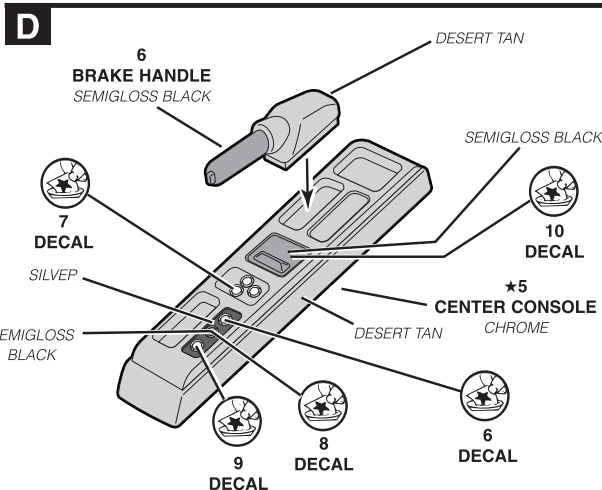
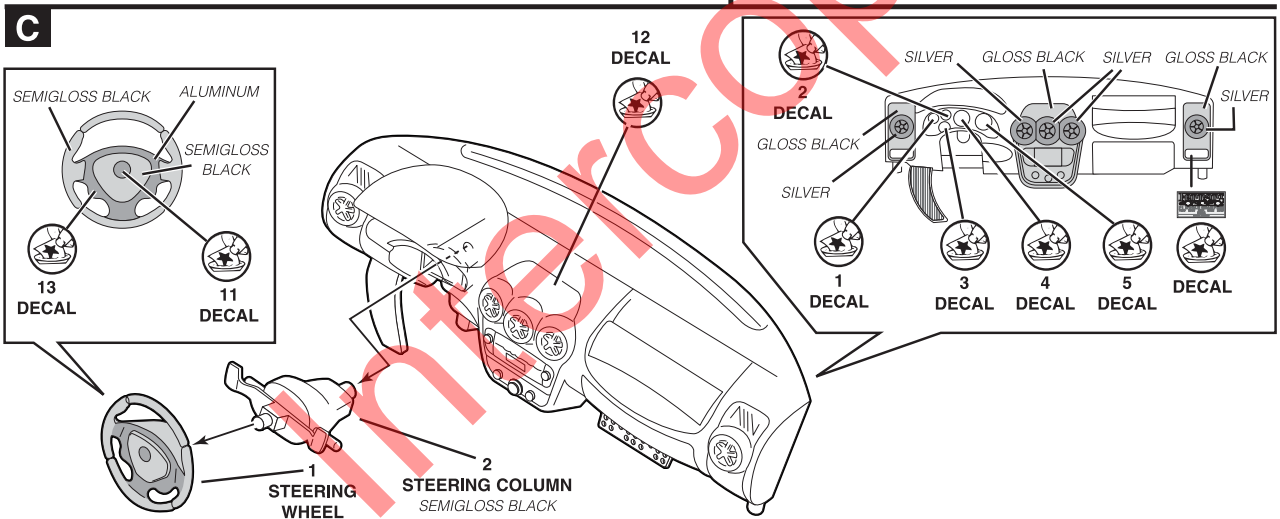
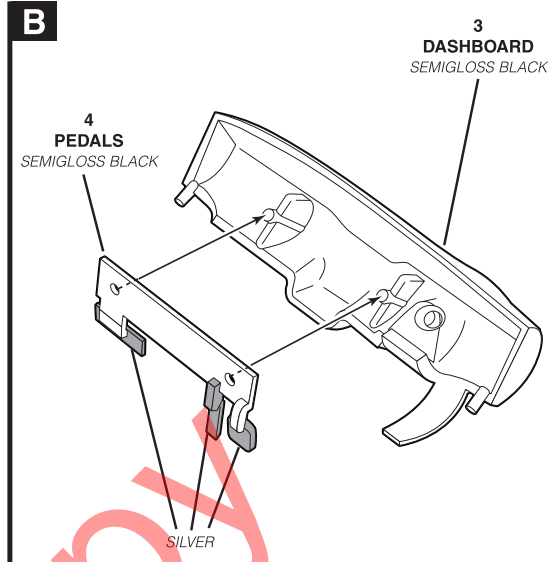
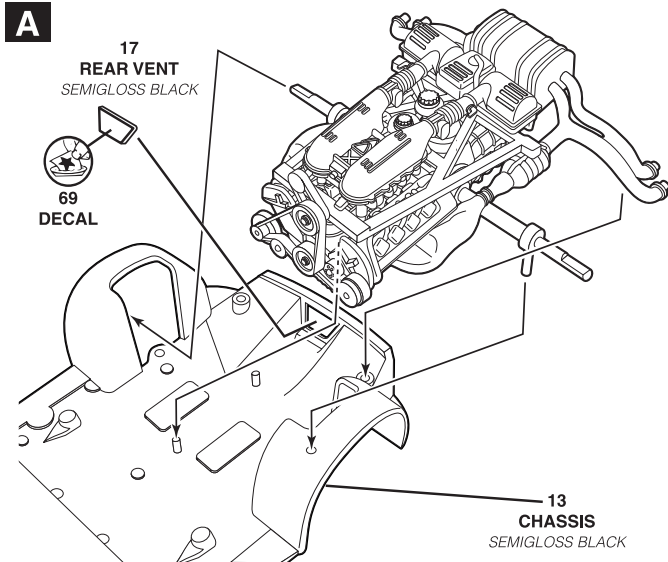


D



2

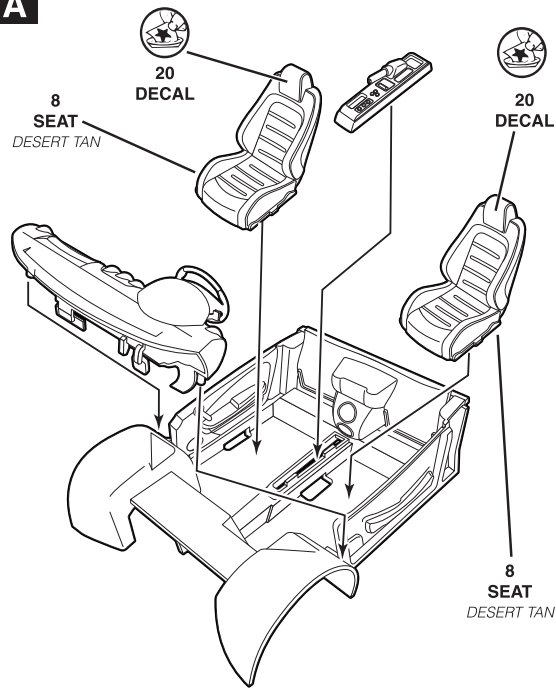
BODY / CHASSIS ASSEMBLY



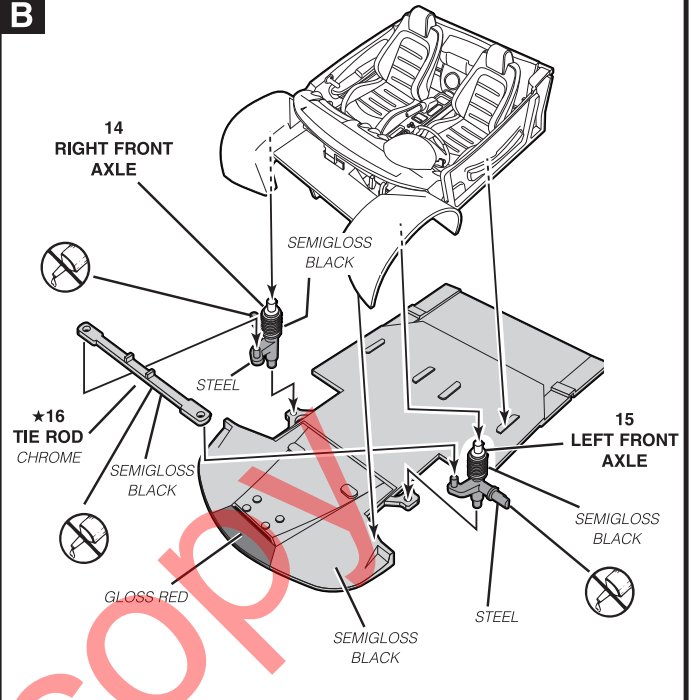
3

INTERIOR ASSEMBLY

A



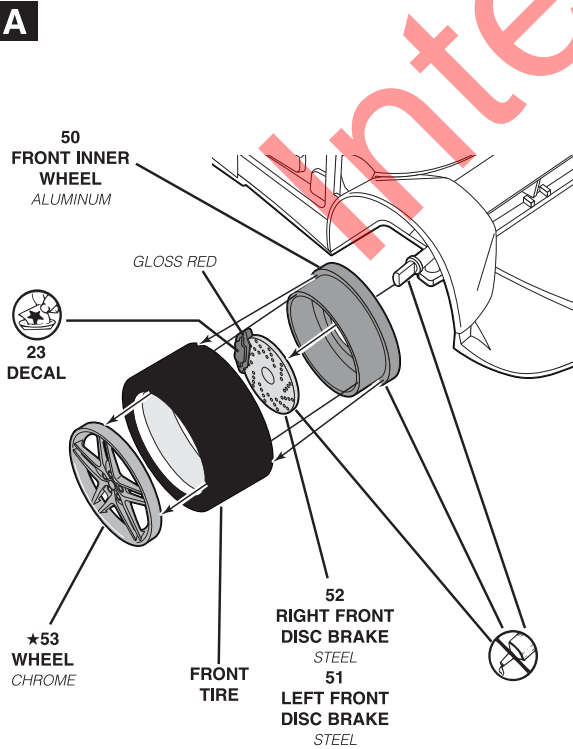
B



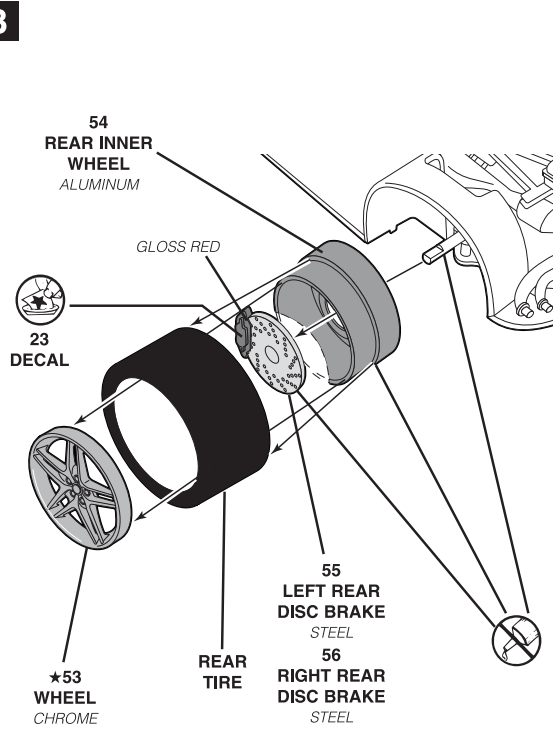
4

WHEEL ASSEMBLY

A



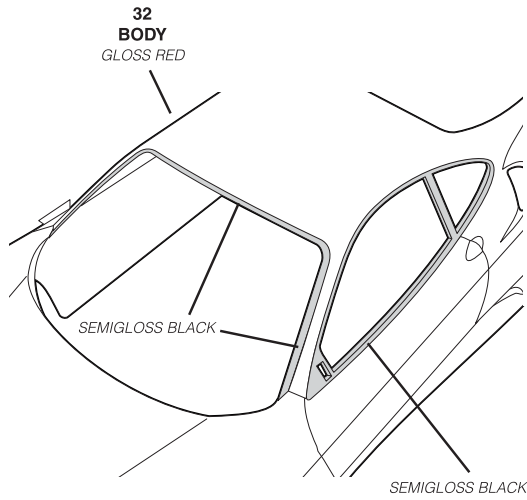
B



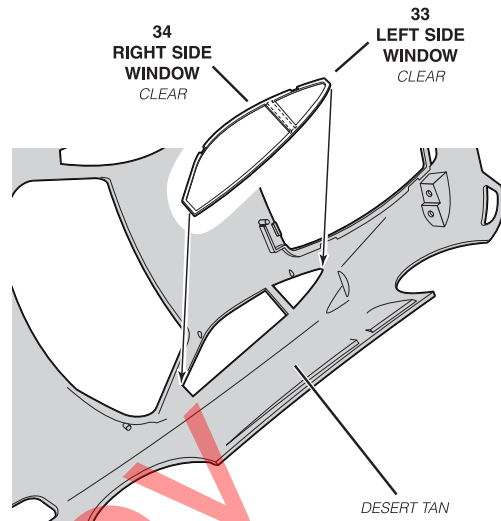
5

WINDOW / BODY ASSEMBLY

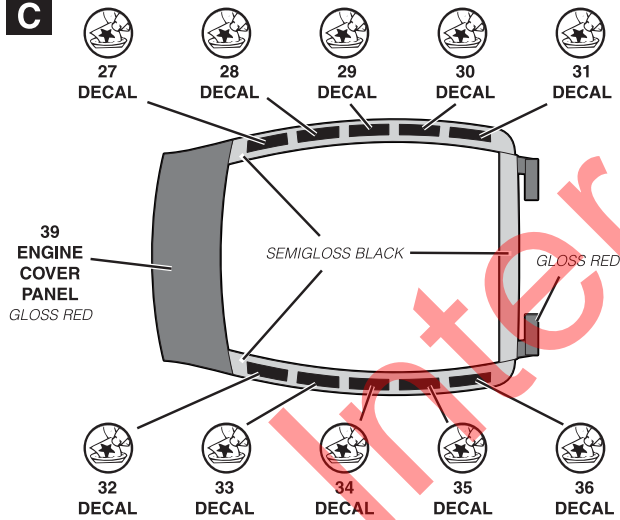
A



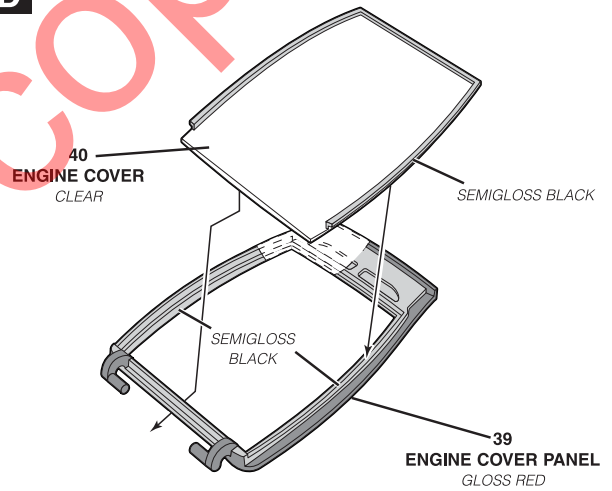
B



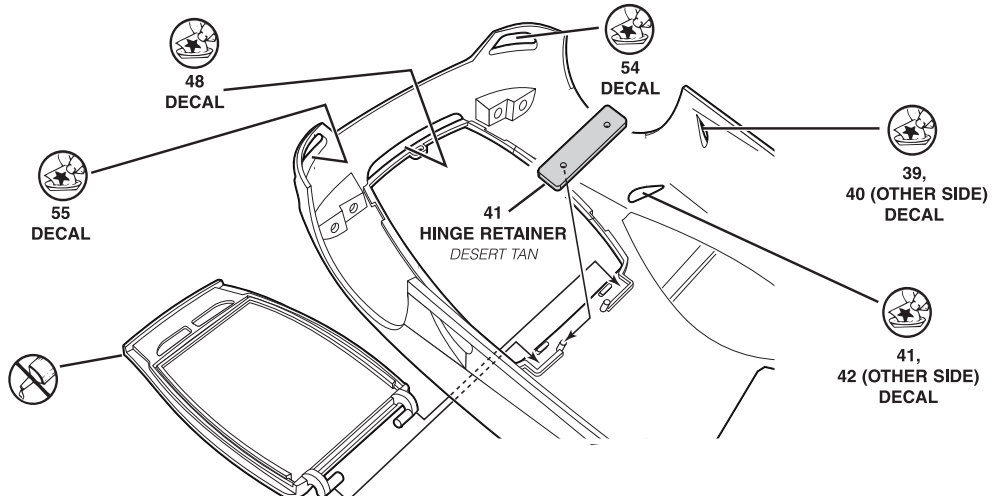
C



D



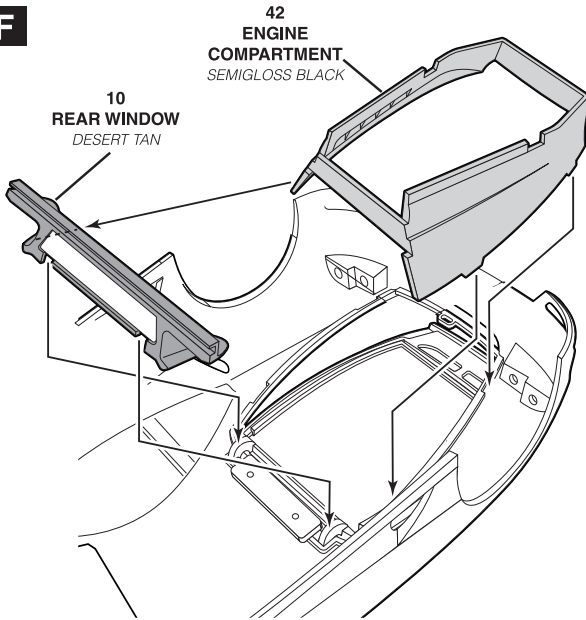
E



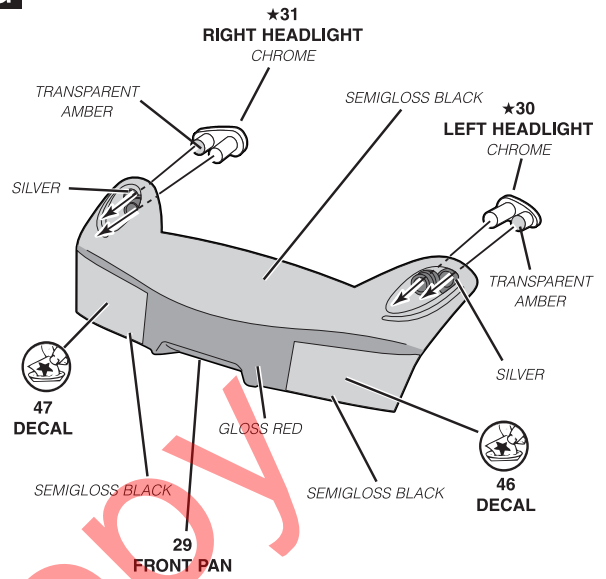
5

WINDOW / BODY ASSEMBLY CONT.

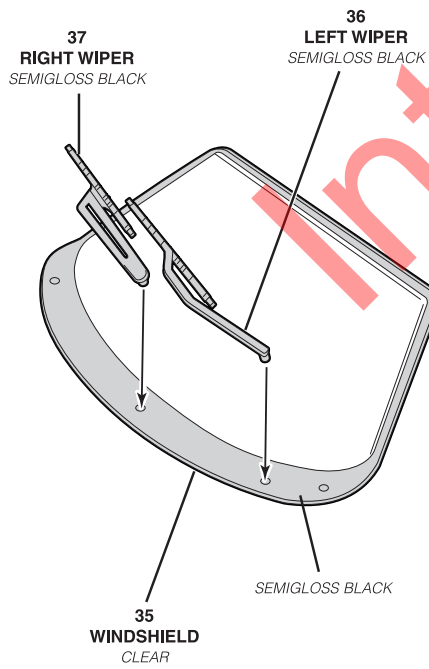
F



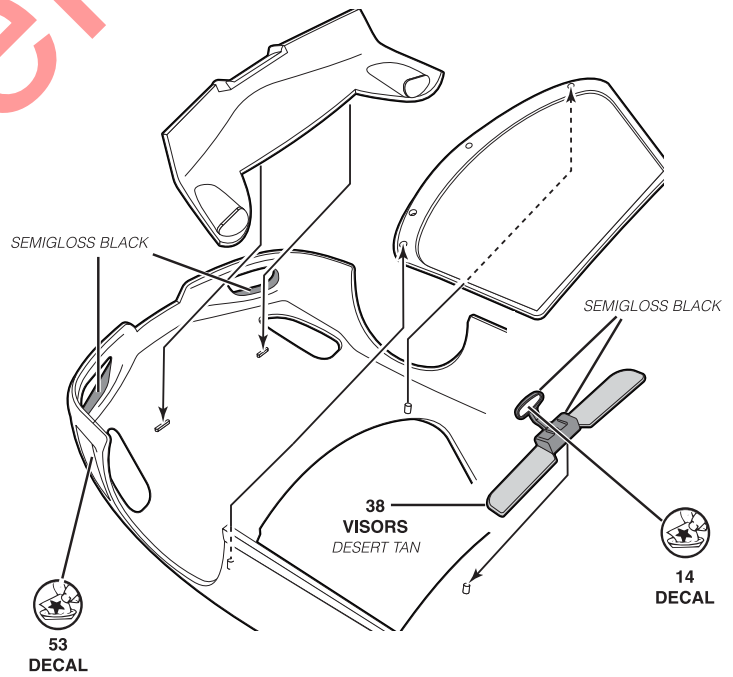
G



H



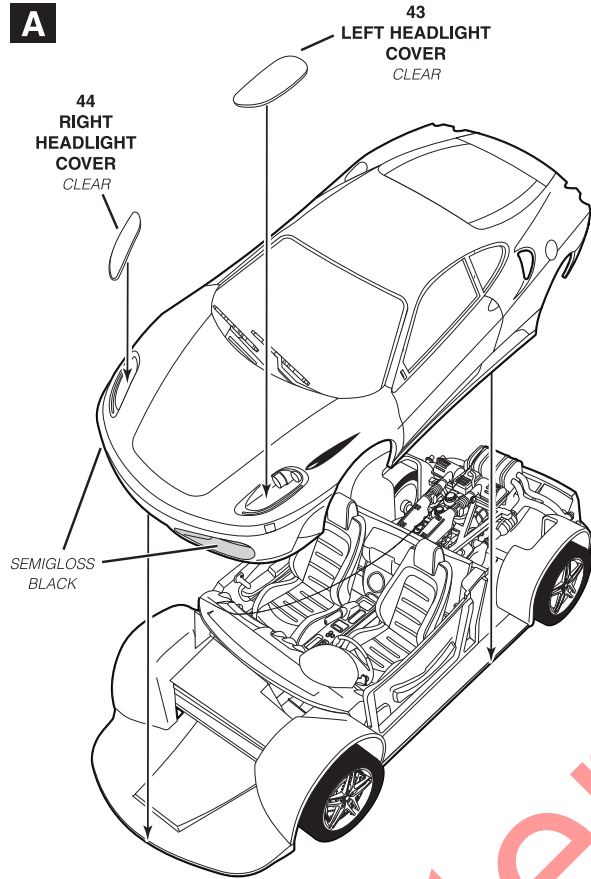
I



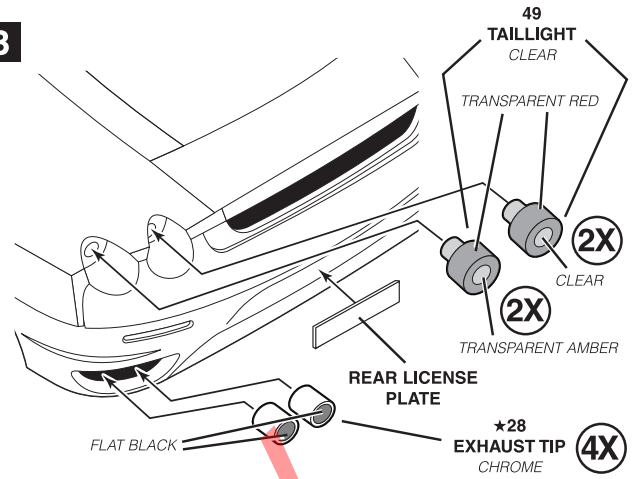
6

EXTERIOR ASSEMBLY

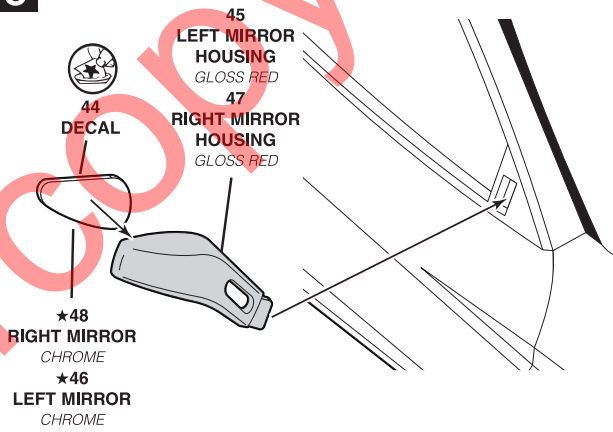
A



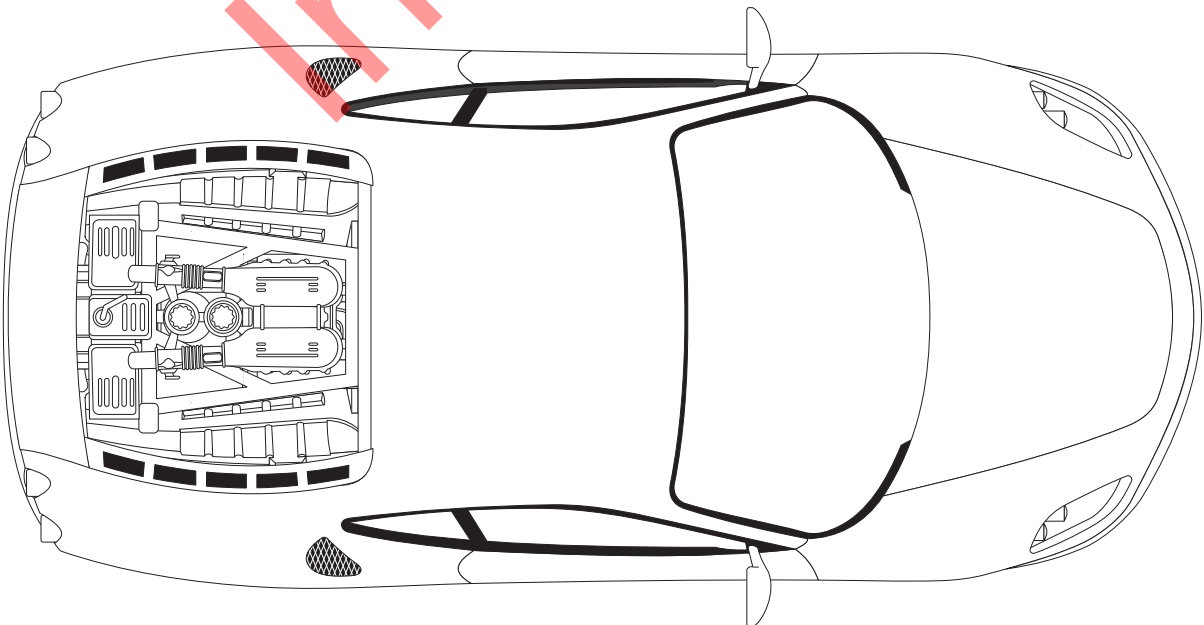
B



C

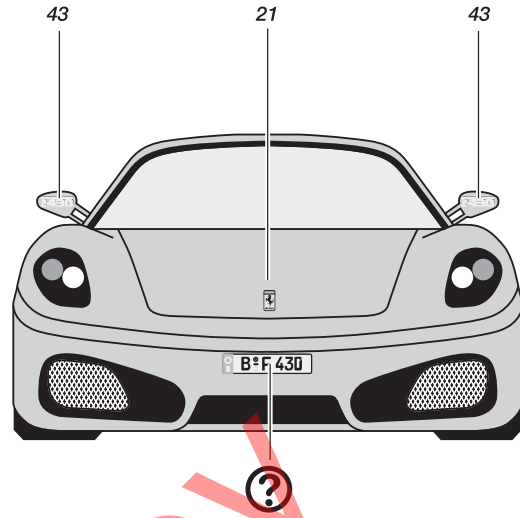
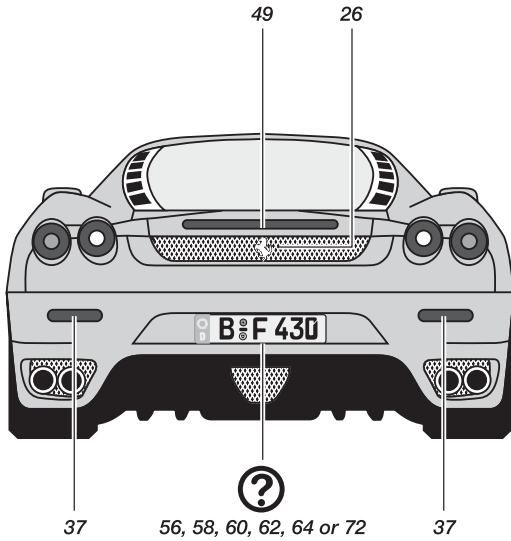


D



7

DECAL PLACEMENT



57, 59, 61, 63, 65 or 71
(Do not dip in water, carefully cut decal out and use white glue to attach)

★ REPEAT FOR OTHER SIDE

