



KIT 2159

85215900200

'98 Pontiac® Firebird® Ram-Air™ 2'n1

Pontiac's 1998 Firebird is a true modern day musclecar. It offers all the tire-smoking performance of the muscle machines of the past with the refinements and safety features of the 90's. The powerful LS1 5.7 liter V8 is good for 320 hp at 5200 rpm and 345 lb. ft. of torque at 4400 rpm when equipped with the WS6 Ram Air package. Ram Air equipped cars also get a sinister twin-scooped hood with a fully functional cold air induction system.

In addition to Ram Air, WS6 Firebirds are fitted with special high performance suspension components like stiffer front and rear springs, Panhard bar bushings, and transmission mount, plus chrome plated 17-inch aluminum wheels with WS6 center cap logos. Besides the high performance hardware, the 1998 Firebird is equipped with advanced safety features like driver and front seat passenger air bags, traction control, anti-lock brakes, and the PASS-Key II theft deterrent system.

Your Revell-Monogram kit features both the LS1 V8 and the WS6 options, plus the aggressive 1998 styling changes to the hood, fenders, headlamps, taillamps and front fascia areas.



* REPEAT SEVERAL TIMES
* A REPETER PLUSIEURS FOIS



* OPTIONAL PARTS
* PIECES EN OPTION



* DECAL
* DECAL COMANIE



* ALTERNATIVE ASSEMBLY
* ENSEMBLAGE ALTERNATIVE



* CEMENT TOGETHER
* A COLLER



* REMOVE AND THROW AWAY
* A RETIRER ET JETER



* DO NOT CEMENT
* NE PAS COLLER

READ THIS BEFORE YOU BEGIN

- * Study the assembly drawings.
- * Each plastic part is identified by a number.
- * In the assembly drawings, some parts will be marked by a star (★) to indicate chrome plated plastic.
- * For better paint and decal adhesion, wash the plastic parts in a mild detergent solution. Rinse and let air dry.
- * Check the fit of each piece before cementing in place.
- * Use only cement for polystyrene plastic.
- * Scrape plating and paint from areas to be cemented.
- * Allow paint to dry thoroughly before handling parts.
- * Any unused parts may be discarded.

DECAL APPLICATION INSTRUCTIONS

1. Cut desired decal from sheet.
2. Dip decal in water for a few seconds.
3. Place wet decal on paper towel.
4. Wait until decal is movable on paper backing.
5. Place decal in position on model, face up and slide backing away.
6. Press out air bubbles with a soft damp cloth.
7. Milkiness that may appear is for better decal adhesion and will dry clear. Wipe away any excess adhesive.
8. Do not touch decal until fully dry.
9. Allow the decals 48 hours to dry before applying clear coat.

NOTE: Decals are compatible with setting solutions or solvents.

LIRE CE QUI SUIT AVANT DE COMMENCER

- * Etudier les schémas de montage.
- * Chaque pièce en plastique est identifiée par un numéro.
- * Sur les schémas de montage, certaines pièces sont marquées d'une étoile (★) pour indiquer qu'elles sont en plastique chromé.
- * Pour une meilleure prise de la peinture et des autocollants, laver les pièces en plastique avec une solution détergente peu concentrée. Les rincer et les laisser sécher à l'air.
- * Vérifier que chaque pièce s'ajuste bien avant de la coller en place.
- * N'utiliser que de la colle pour polystyrène.
- * Gratter les parties à coller pour enlever le chrome et la peinture.
- * Laisser la peinture bien sécher avant de manipuler les pièces.
- * Toute pièce inutilisée peut être jetée.

DIRECTIVES D'APPLICATION DES AUTOCOLLANTS

1. Découper l'autocollant désiré de la feuille.
2. Tremper l'autocollant dans de l'eau pendant quelques secondes.
3. Placer l'autocollant mouillé sur une serviette en papier.
4. Attendez que l'autocollant puisse être déplacé sur son support en papier.
5. Mettre l'autocollant en position sur le modèle face sur le dessus et faire glisser le support pour l'enlever.
6. Appuyer avec un chiffon doux humide pour éliminer les bulles d'air.
7. La substance laiteuse qui peut apparaître est destinée à améliorer l'adhésion de l'autocollant et devient incolore au séchage. Essuyer pour enlever tout excédent d'adhésif.
8. Ne pas toucher l'autocollant tant qu'il n'est pas bien sec.
9. Laisser l'autocollant sécher pendant 48 heures avant d'appliquer une couche transparente.

REMARQUE: Les autocollants sont compatibles avec les solutions de fixation ou les solvants.

This paint guide is provided to complete this kit as shown on the box.

Ce guide de peinture est fourni pour reproduire le modèle réduit qui apparaît sur la boîte.

Aluminum	Aluminium
Flat Black	Noir mat
Dark Gray	Gris foncé
Flat white	Blanc mat
Light gray	Gris clair
Semigloss Black	Noir satiné
Steel	Acier
Silver	Argent
Gloss Black	Noir Brillant

If you have any questions or comments, call our hotline at: **(800) 833-3570**
or, please write to:

Revell-Monogram Consumer Service Department, 725 Landwehr Road, Northbrook, Illinois 60062

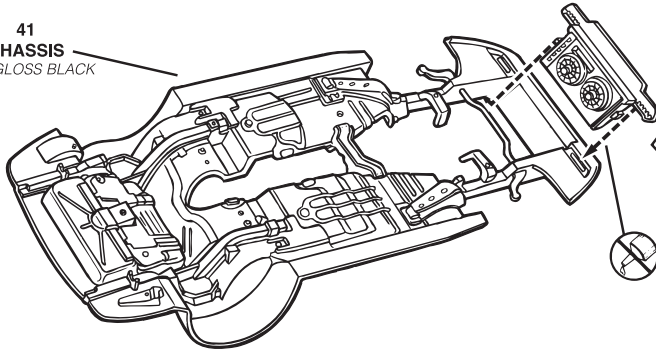
Be sure to include the plan number (85215900200), part number, description, your return address and phone number.

Visit our website: www.revellmonogram.com

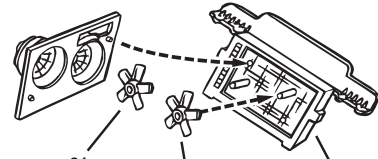
1

ENGINE ASSEMBLY

41
CHASSIS
SEMIGLOSS BLACK



60
FAN SHROUD
SEMIGLOSS BLACK



61
COOLING FAN
SEMIGLOSS BLACK

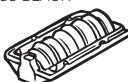
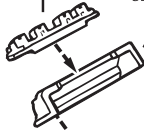
61
COOLING FAN
SEMIGLOSS BLACK

46
RADIATOR
SEMIGLOSS BLACK

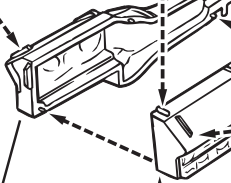
76
ROCKER COVER
GLOSS BLACK

73
CYLINDER HEAD
SEMIGLOSS BLACK

81
INTAKE MANIFOLD
SEMIGLOSS BLACK



75
ROCKER COVER
GLOSS BLACK



72
BLOCK HALF
SEMIGLOSS BLACK

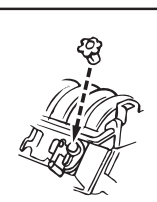
71
BLOCK HALF
SEMIGLOSS BLACK



179
OIL PAN
SEMIGLOSS BLACK

78
EXHAUST
MANIFOLD
ALUMINUM

74
OIL FILL
TUBE
SEMIGLOSS
BLACK



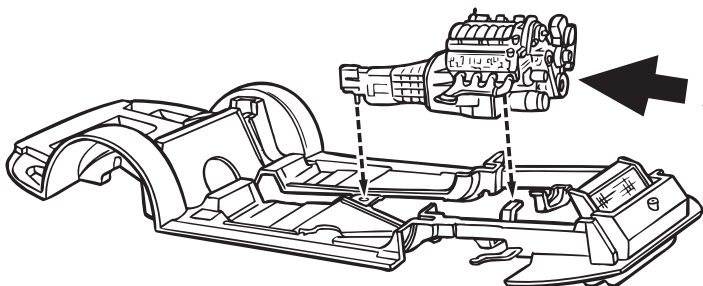
ALUMINUM

83
FRONT ENGINE COVER
SEMIGLOSS BLACK

153
LOWER BELT
GLOSS BLACK
(PAINT BELTS FLAT BLACK)

54
SERPENTINE BELT
GLOSS BLACK
(PAINT BELT FLAT BLACK)

77
EXHAUST
MANIFOLD
ALUMINUM

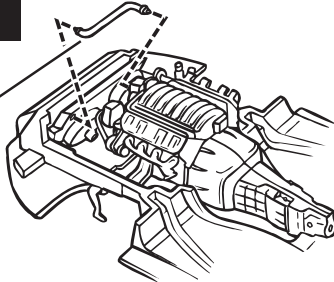


2

HOSE AND EXHAUST ASSEMBLY

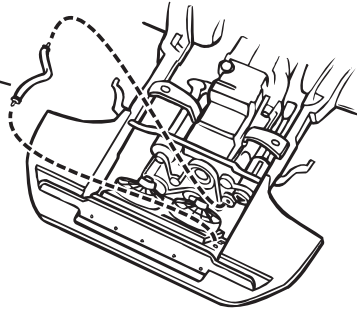
A TOP VIEW

148
UPPER
RADIATOR HOSE
FLAT BLACK



B BOTTOM VIEW

158
LOWER
RADIATOR HOSE
FLAT BLACK

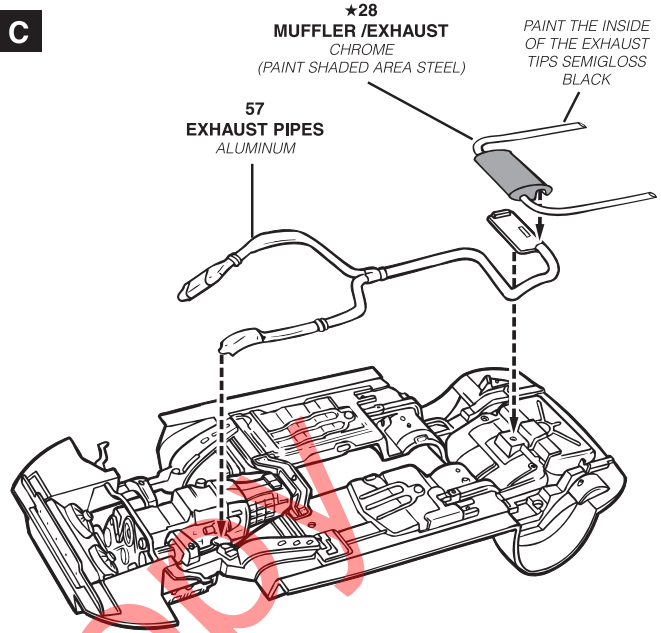


C

★28
MUFFLER /EXHAUST
CHROME
(PAINT SHADED AREA STEEL)

PAINT THE INSIDE
OF THE EXHAUST
TIPS SEMIGLOSS
BLACK

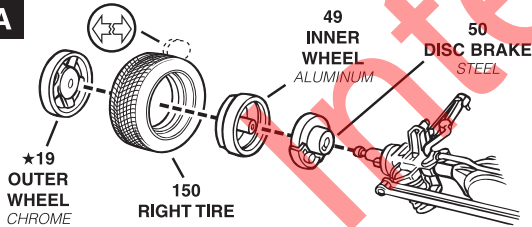
57
EXHAUST PIPES
ALUMINUM



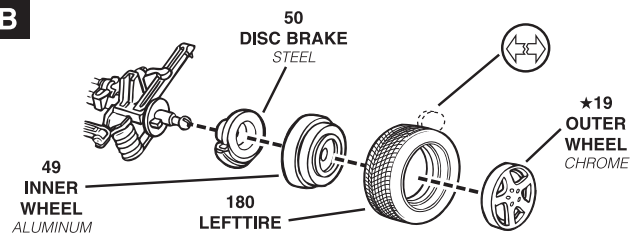
3

REAR SUSPENSION ASSEMBLY

A

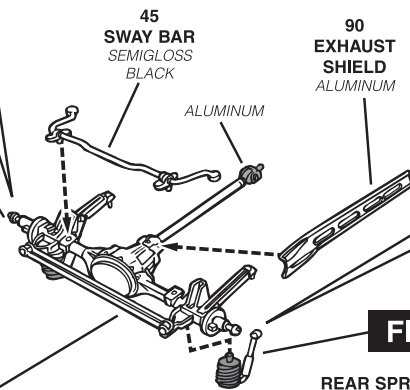


B



FIRST

56
REAR SPRING &
SHOCK
(SHOWN IN PLACE)
PAINT THE SHOCK
ALUMINUM & THE
SPRING SEMIGLOSS
BLACK

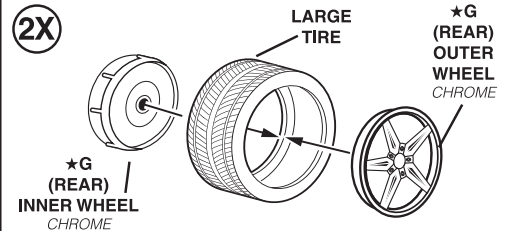


FIRST

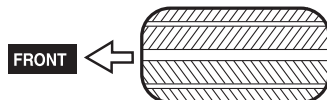
55
REAR SPRING & SHOCK
ALUMINUM
PAINT SHADED AREA
SEMIGLOSS BLACK

87
REAR AXLE
SEMIGLOSS
BLACK

OPTIONAL REAR WHEEL



NOTE: TREAD PATTERN IS DIRECTION.
SEE DIAGRAM BELOW FOR PROPER TREAD ALIGNMENT.

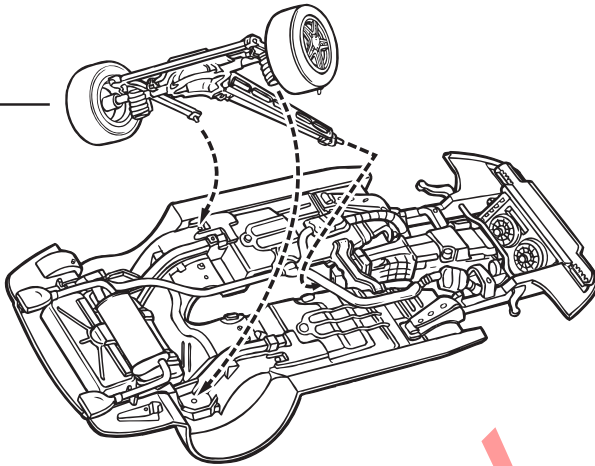


3

REAR SUSPENSION ASSEMBLY CONTINUED

C

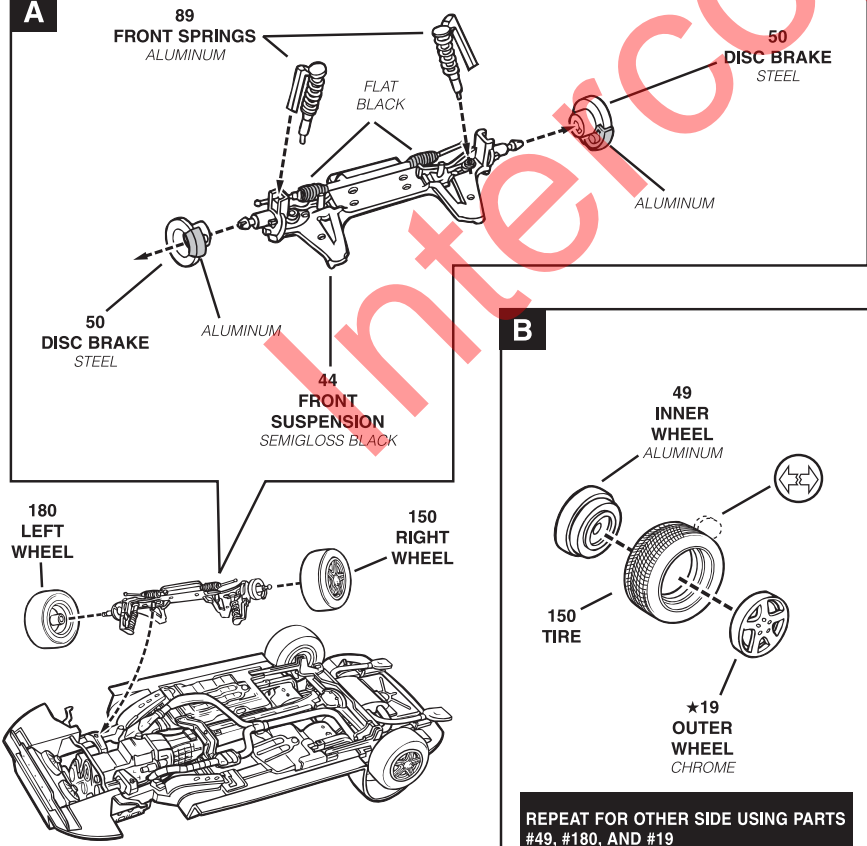
COMPLETED
REAR SUSPENSION
ASSEMBLY



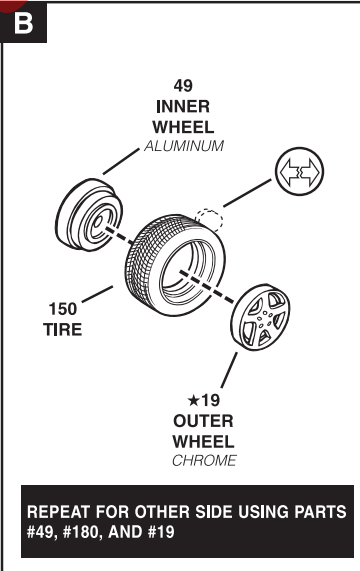
4

FRONT SUSPENSION ASSEMBLY

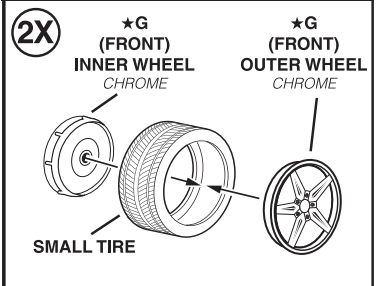
A



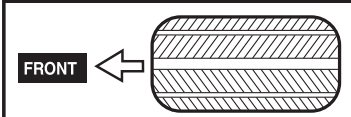
B



OPTIONAL FRONT WHEEL



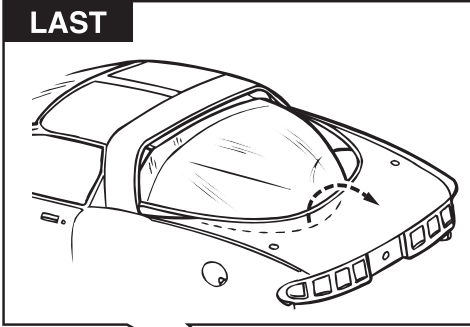
NOTE: TREAD PATTERN IS DIRECTION. SEE DIAGRAM BELOW FOR PROPER TREAD ALIGNMENT.



5

WINDOW AND DASHBOARD ASSEMBLY

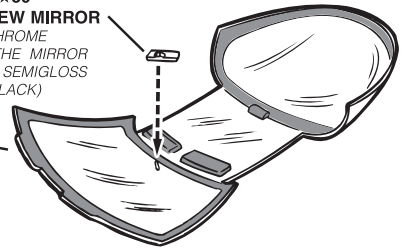
LAST



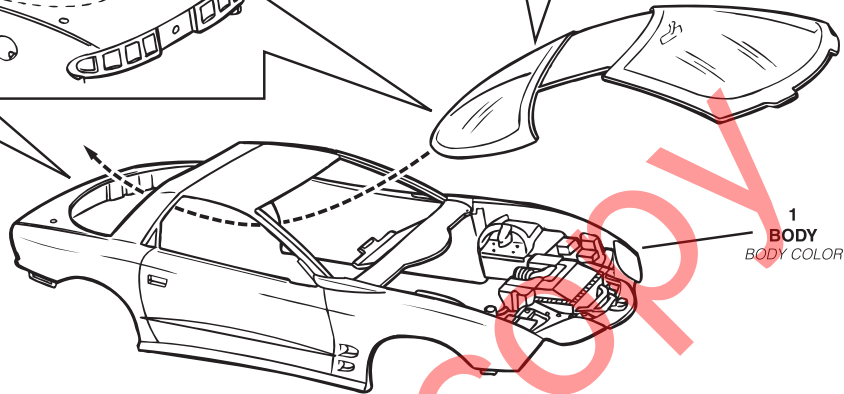
A

★59 REAR VIEW MIRROR
CHROME
(PAINT THE MIRROR CASING SEMIGLOSS BLACK)

65 WINDOWS
CLEAR
(PAINT SHADED AREA SEMI GLOSS BLACK)



B



1 BODY
BODY COLOR

C

43 WINDSHIELD COWL
SEMIGLOSS BLACK

ALUMINUM

ALUMINUM

D DECAL

FLAT WHITE

F DECAL

FLAT WHITE

G DECAL

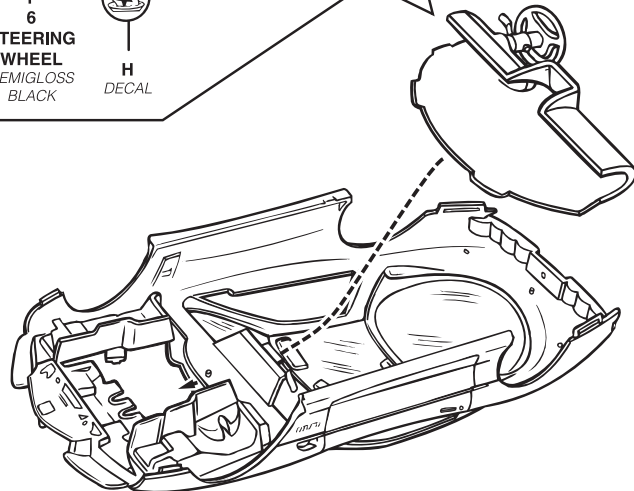
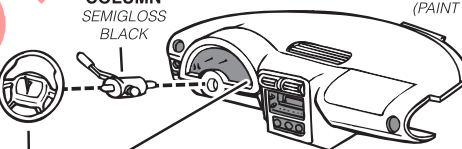
D

47 STEERING COLUMN
SEMIGLOSS BLACK

6 STEERING WHEEL
SEMIGLOSS BLACK

H DECAL

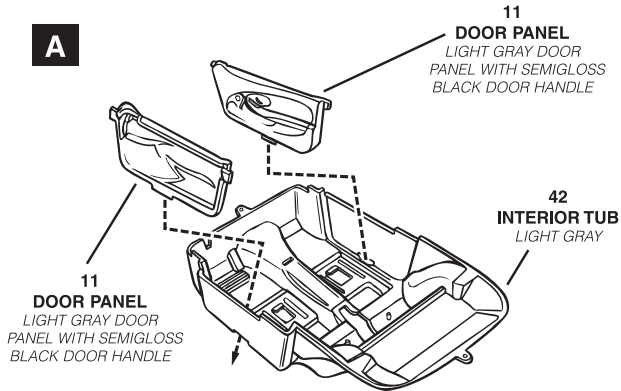
9 DASH BOARD
DARK GRAY
(PAINT SHADED AREAS SATIN BLACK)



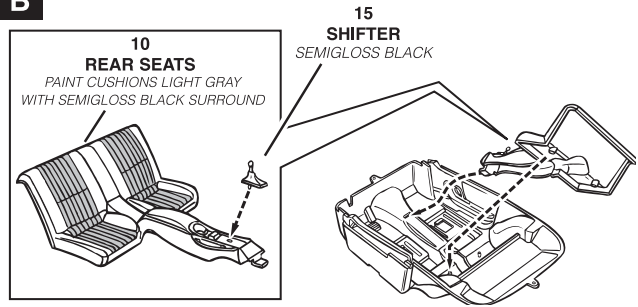
6

INTERIOR ASSEMBLY

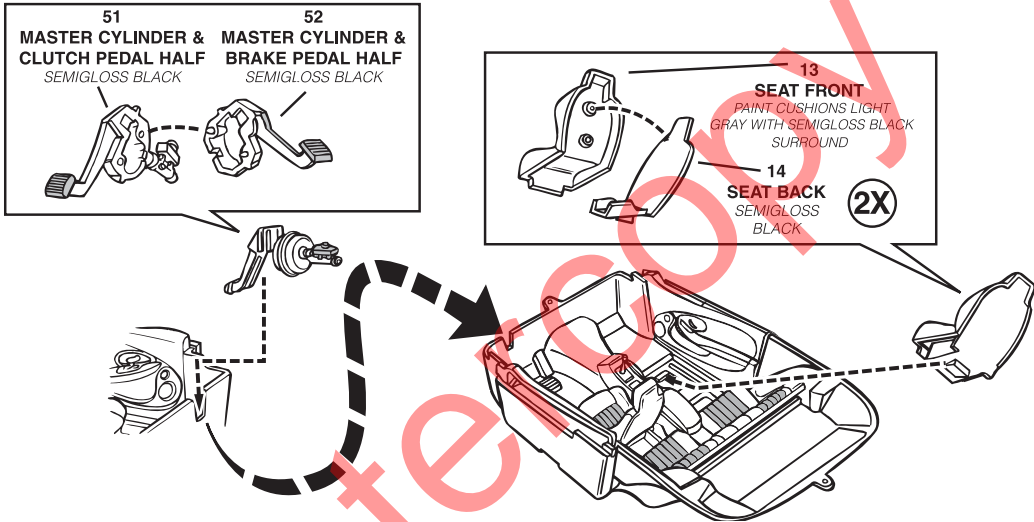
A



B

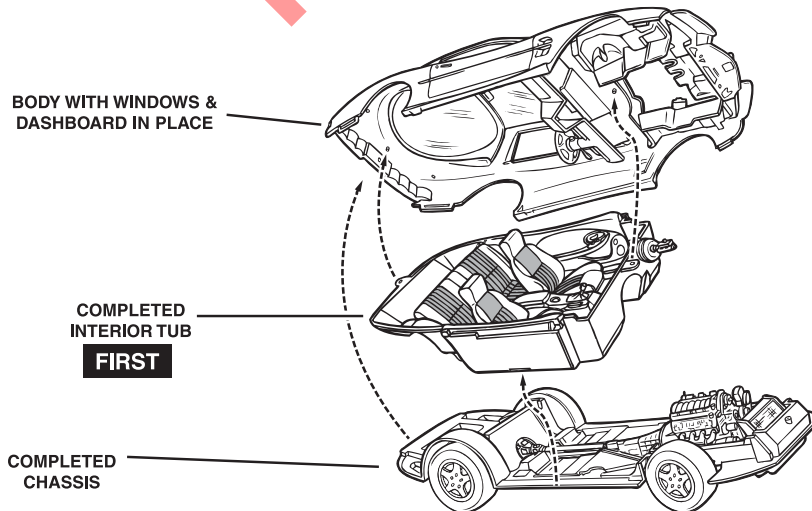


C

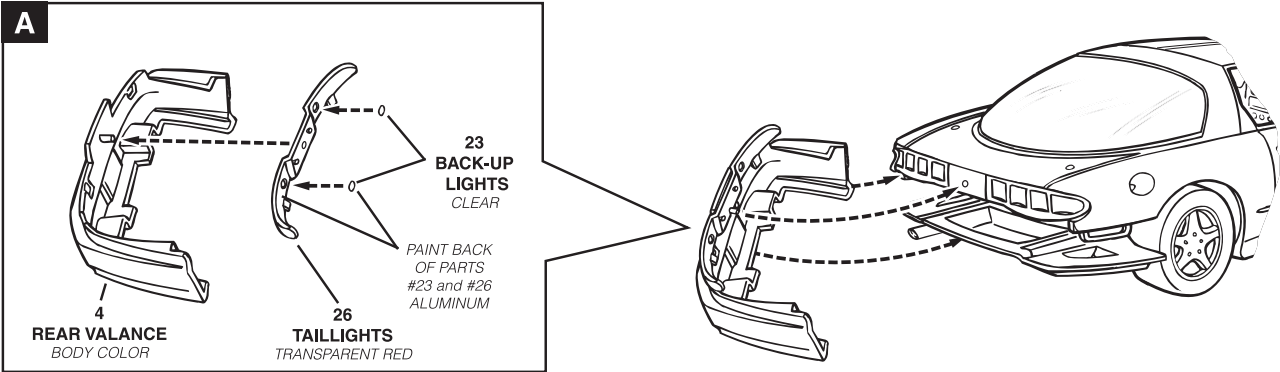


7

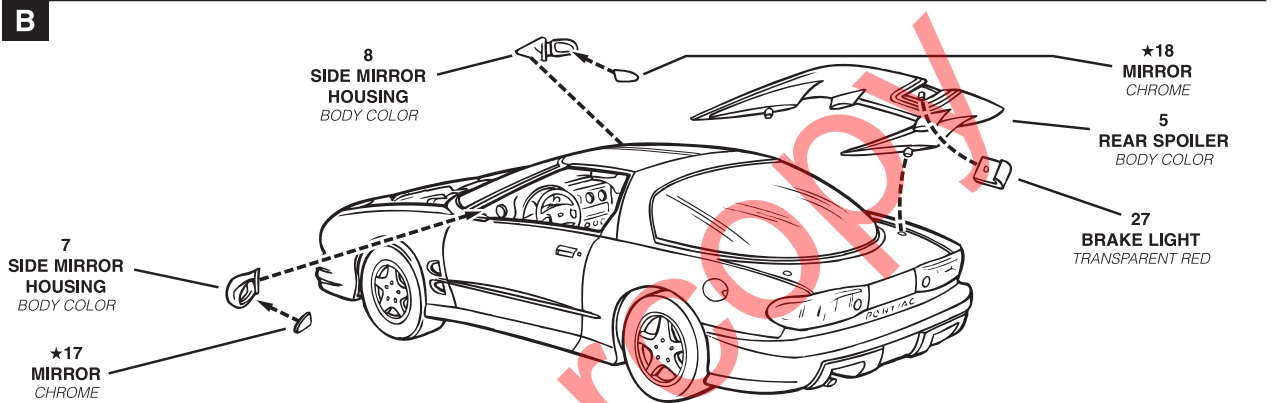
CHASSIS AND BODY ASSEMBLY



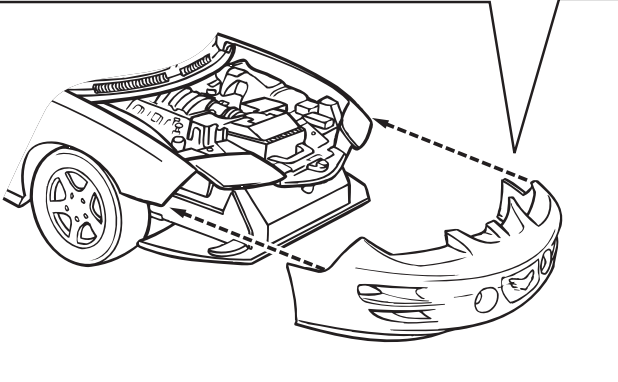
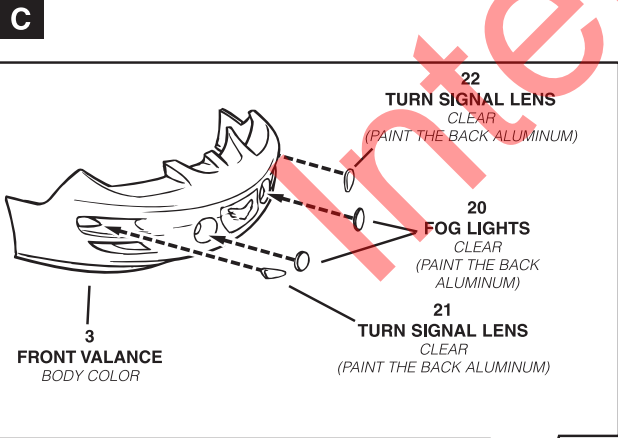
A



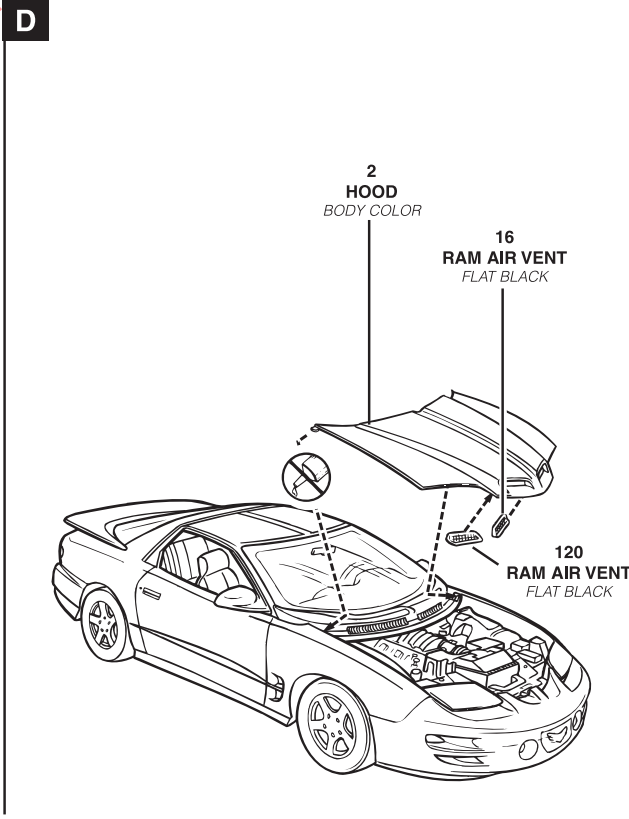
B



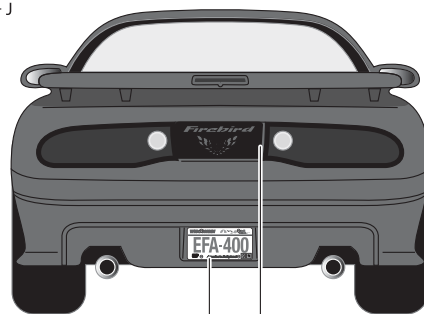
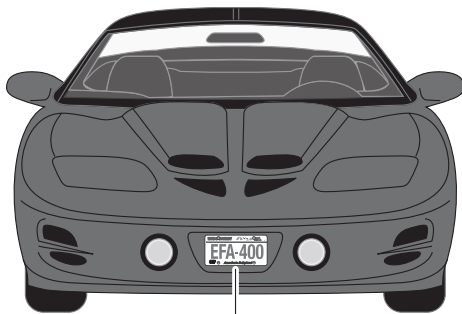
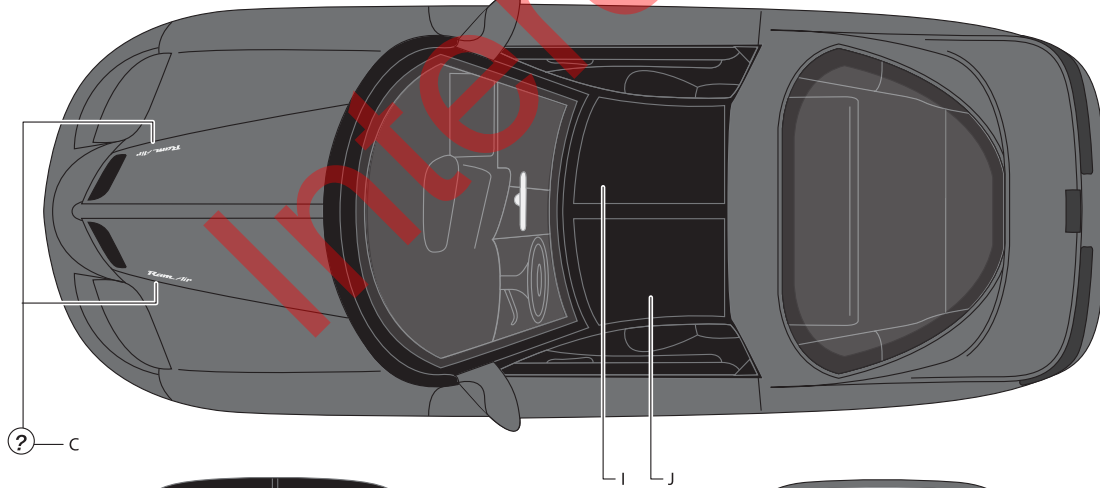
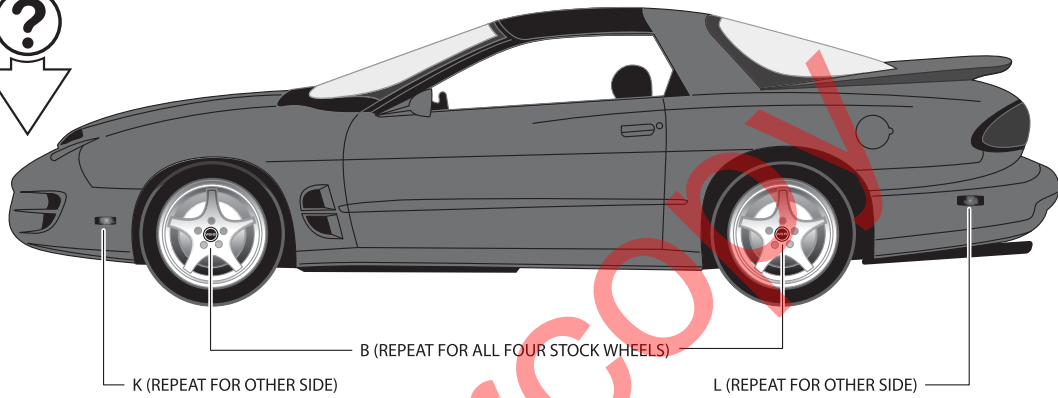
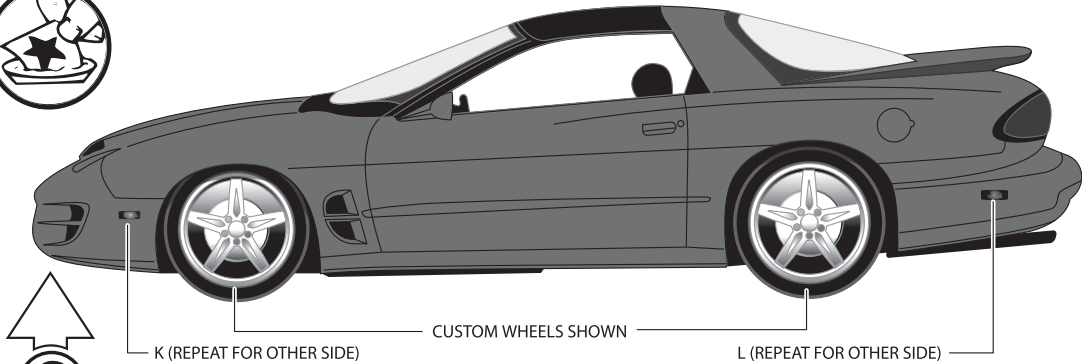
C



D



DECAL PLACEMENT



(Do not dip in water, carefully cut decal out and use white glue to attach)