



KIT 2183

85218300200



'67 Chevelle™ SS™ 396

Since its introduction in 1964, the Chevrolet® Chevelle™ has been one of the all-time favorite American muscle cars. Designed to fill a niche between the compact Chevy® II and the ever-growing full size line, the Chevelle offered most of the larger powertrain options from the Impala™ line but in a smaller, lighter body. Handsome body styling also helped many families make the decision to "drive it off the lot".

1967 was a transitional carry-over year for the Chevelle as many of Chevrolet's engineers had spent the previous couple years working on the just introduced '67 Camaro™. Base models had several engines to chose from including the 230 and 250 cubic inch 6 cylinder as well as the 283 and 327 cubic inch V8s. Aware that the Camaro might steal some sales away from the Chevelle, additional hardware was added the option list, especially for the hot SS™ 396.

The Super Sport™ had the base level 325 horsepower version of the big block 396 cubic inch V8 engine included as

standard equipment. A 350 horsepower version was available but the 375 H.P. engine was deleted from the factory option list for '67 although approximately 600 cars had the engine installed at the dealership level. Among the items available for the first time on the '67 models were power disc brakes, which also then came with rally wheels; 14 inch wheels and the 3 speed Turbo Hydra-Matic automatic transmission, which was only available on the SS models.

As we salute the 40th anniversary of the Chevelle's introduction, Revell is proud to re-issue our 1967 Chevelle SS 396 kit. This release also includes newly-tooled large diameter custom wheels, so very popular on the street right now, as well as a lowered front suspension and disc brake detail. Whether you've built it before or if you're just getting to it for the first time, we're confident you'll enjoy building your own SS 396.



* REPEAT SEVERAL TIMES
* A REPETER PLUSIEURS FOIS



* OPTIONAL PARTS
* PIECES EN OPTION



* DECAL
* DECAL COMANIE



* ALTERNATIVE ASSEMBLY
* ENSEMBLAGE ALTERNATIVE



* CEMENT TOGETHER
* A COLLER



* REMOVE AND THROW AWAY
* A RETIRER ET JETER



* DO NOT CEMENT
* NE PAS COLLER

READ THIS BEFORE YOU BEGIN

- * Study the assembly drawings.
- * Each plastic part is identified by a number.
- * In the assembly drawings, some parts will be marked by a star (★) to indicate chrome plated plastic.
- * For better paint and decal adhesion, wash the plastic parts in a mild detergent solution. Rinse and let air dry.
- * Check the fit of each piece before cementing in place.
- * Use only cement for polystyrene plastic.
- * Scrape plating and paint from areas to be cemented.
- * Allow paint to dry thoroughly before handling parts.
- * Any unused parts may be discarded.

DECAL APPLICATION INSTRUCTIONS

1. Cut desired decal from sheet.
2. Dip decal in water for a few seconds.
3. Place wet decal on paper towel.
4. Wait until decal is movable on paper backing.
5. Place decal in position on model, face up and slide backing away.
6. Press out air bubbles with a soft damp cloth.
7. Milkyness that may appear is for better decal adhesion and will dry clear. Wipe away any excess adhesive.
8. Do not touch decal until fully dry.
9. Allow the decals 48 hours to dry before applying clear coat.

NOTE: Decals are compatible with setting solutions or solvents.

LIRE CE QUI SUIT AVANT DE COMMENCER

- * Etudier les schémas de montage.
- * Chaque pièce en plastique est identifiée par un numéro.
- * Sur les schémas de montage, certaines pièces sont marquées d'une étoile (★) pour indiquer qu'elles sont en plastique chromé.
- * Pour une meilleure prise de la peinture et des autocollants, laver les pièces en plastique avec une solution détergente peu concentrée. Les rincer et les laisser sécher à l'air.
- * Vérifier que chaque pièce s'ajuste bien avant de la coller en place.
- * N'utiliser que de la colle pour polystyrène.
- * Gratter les parties à coller pour enlever le chrome et la peinture.
- * Laisser la peinture bien sécher avant de manipuler les pièces.
- * Toute pièce inutilisée peut être jetée.

DIRECTIVES D'APPLICATION DES AUTOCOLLANTS

1. Découper l'autocollant désiré de la feuille.
2. Tremper l'autocollant dans de l'eau pendant quelques secondes.
3. Placer l'autocollant mouillé sur une serviette en papier.
4. Attendez que l'autocollant puisse être déplacé sur son support en papier.
5. Mettre l'autocollant en position sur le modèle face sur le dessus et faire glisser le support pour l'enlever.
6. Appuyer avec un chiffon doux humide pour éliminer les bulles d'air.
7. La substance laiteuse qui peut apparaître est destinée à améliorer l'adhésion de l'autocollant et devient incolore au séchage. Essuyer pour enlever tout excédent d'adhésif.
8. Ne pas toucher l'autocollant tant qu'il n'est pas bien sec.
9. Laisser l'autocollant sécher pendant 48 heures avant d'appliquer une couche transparente.

REMARQUE: Les autocollants sont compatibles avec les solutions de fixation ou les solvants.

This optional paint guide is provided if you choose to detail paint your model.

Ce guide de peintures vous sera fourni si vous choisissez de peindre votre modèle en détail.

Aluminum	Aluminium
Flat Black	Noir mat
Gloss Black	Noir lustré
Gloss Orange	Orange lustré
Metallic Black	Noir métallisé
Metallic Orange	Orange métallisé
Semigloss Black	Noir satiné
Satin White	Blanc satiné
Silver	Argent

If you have any questions or comments, call our hotline at: **(800) 833-3570** or, please write to:

Revell-Monogram Consumer Service Department, 725 Landwher Road, Northbrook, Illinois 60062

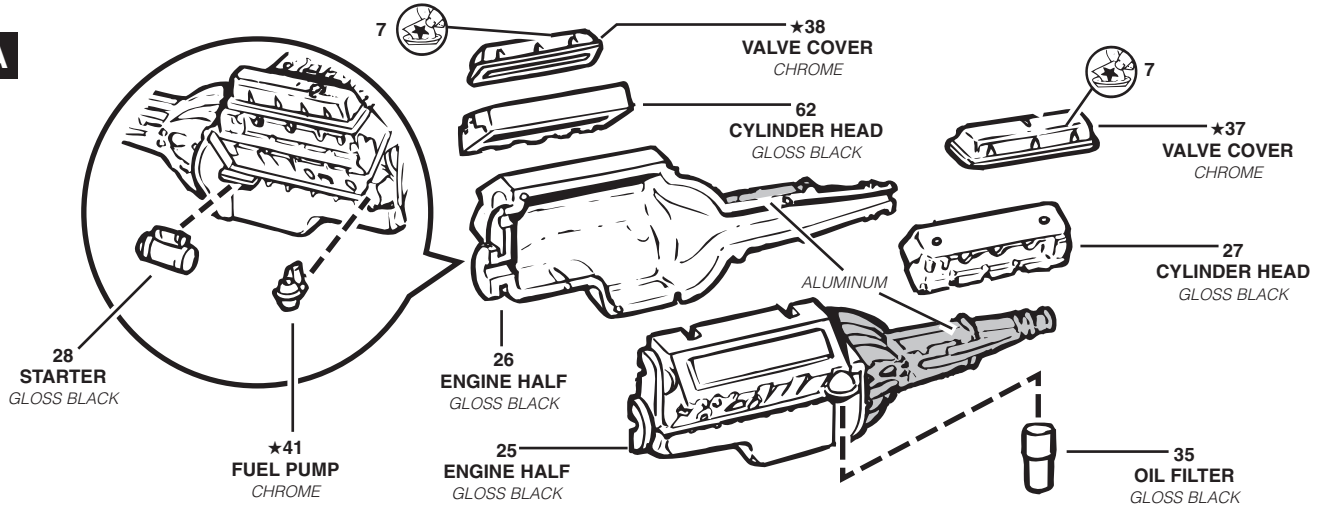
Be sure to include the plan number (85218300200), part number, description, your return address and phone number.

Visit our website: www.revellmonogram.com

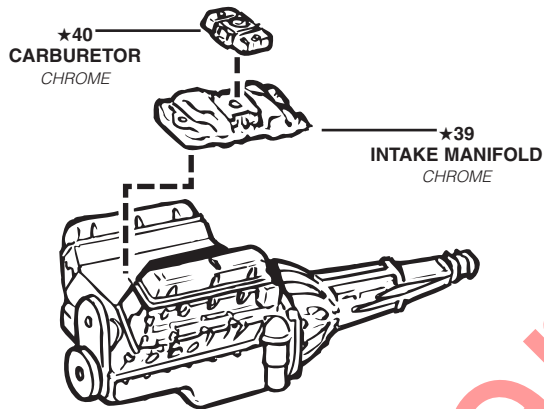
1

ENGINE ASSEMBLY

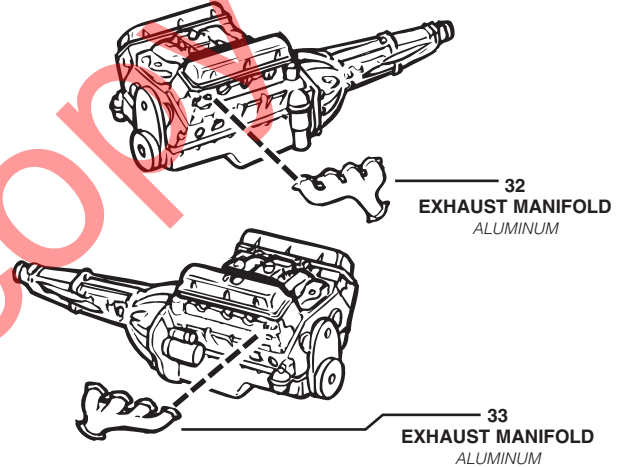
A



B



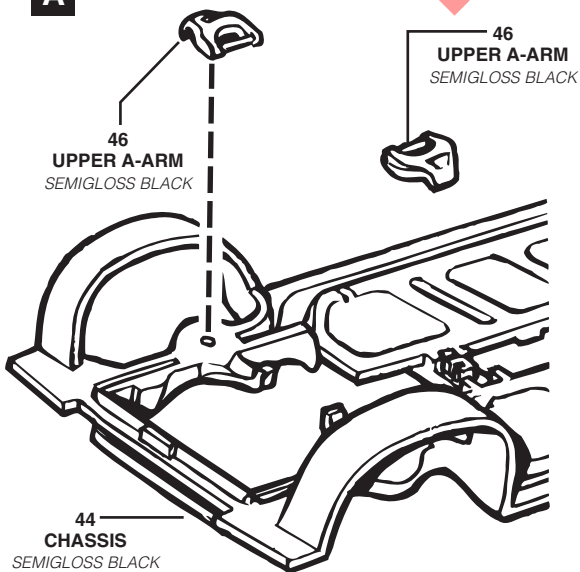
C



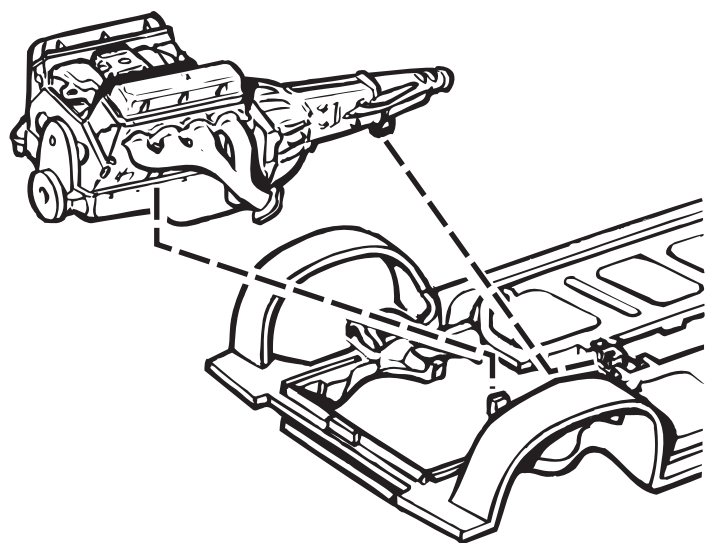
2

ENGINE AND CHASSIS ASSEMBLY

A

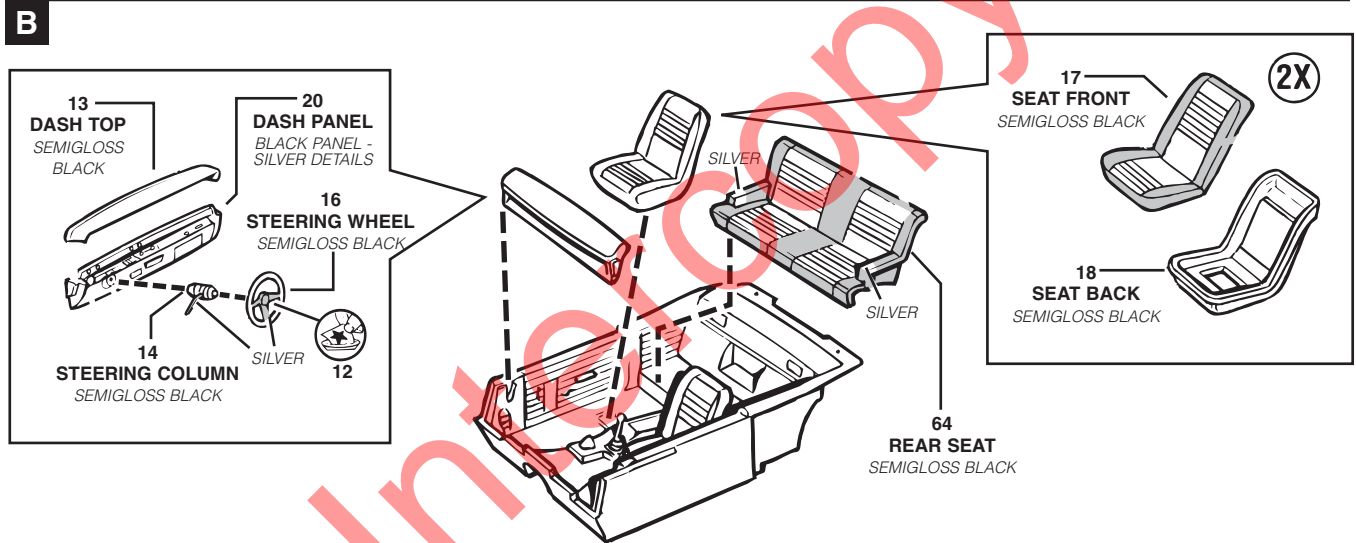
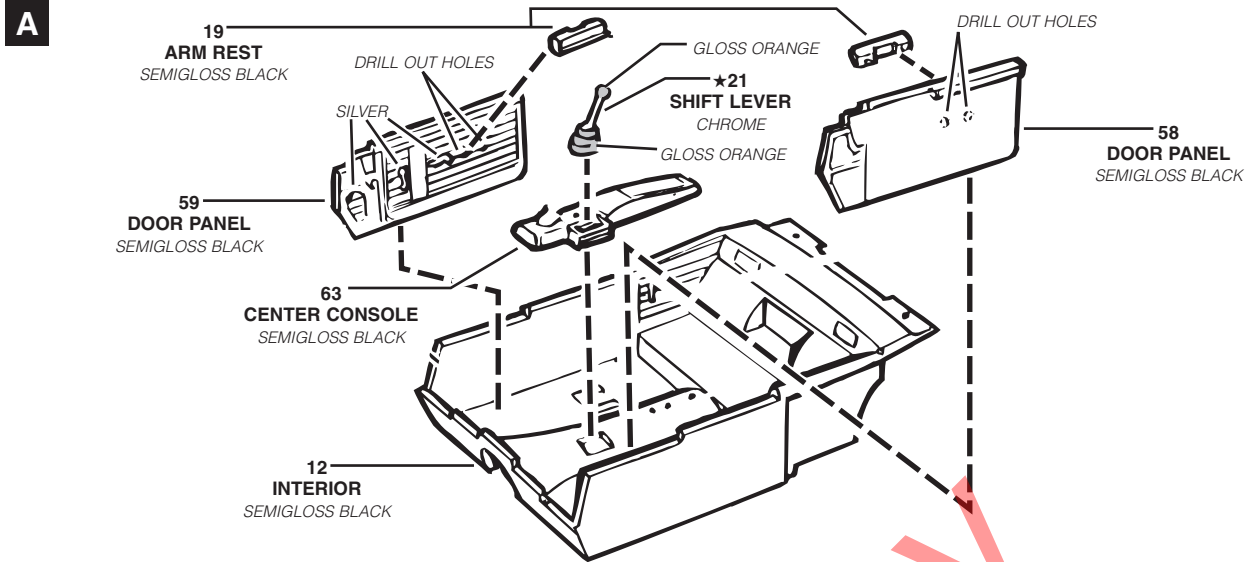


B



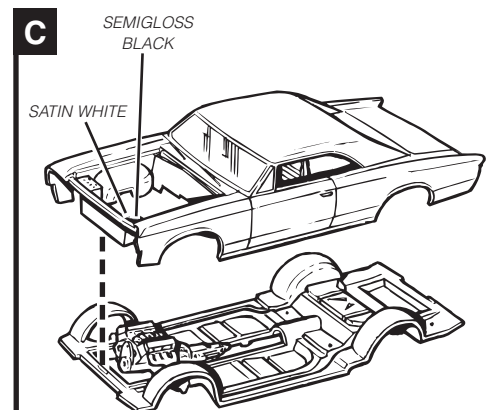
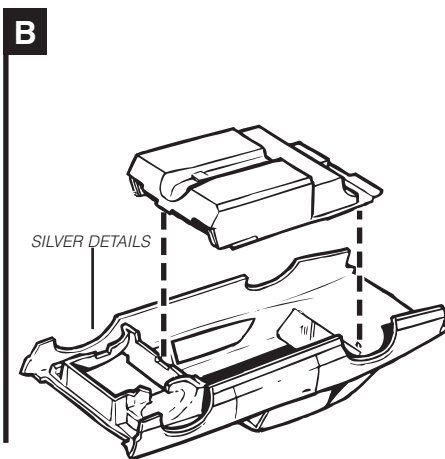
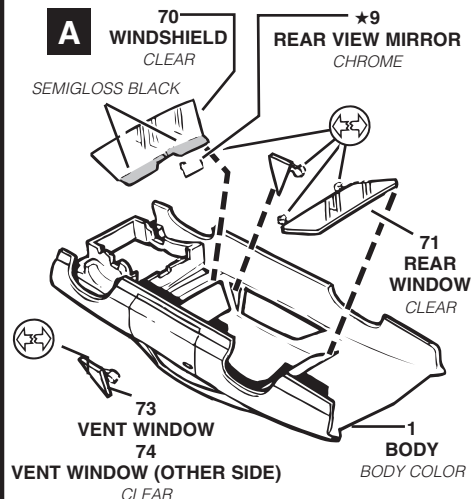
3

INTERIOR ASSEMBLY



4

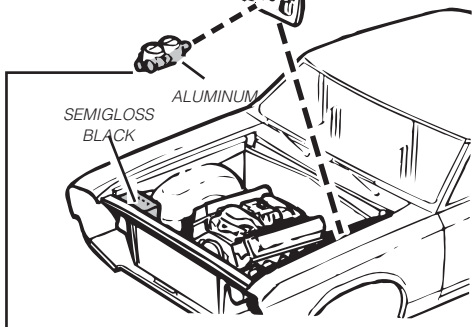
BODY AND CHASSIS ASSEMBLY



3

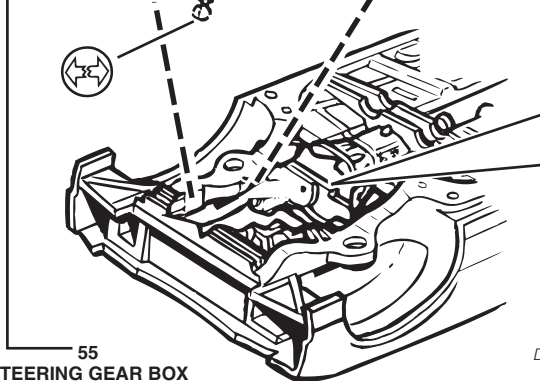
FINAL ENGINE ASSEMBLY

A 23
FIRE WALL COMPONENTS
SEMIGLOSS BLACK



*24
BRAKE FLUID RESERVOIR
CHROME

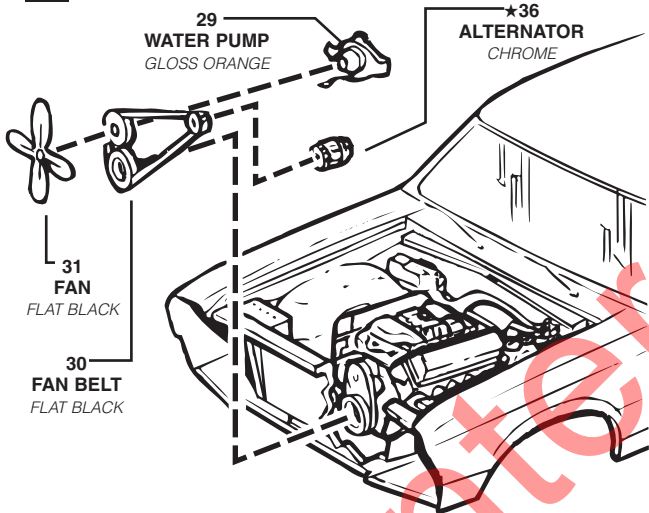
B 55
STEERING GEAR BOX
SEMIGLOSS BLACK



DETAILS OMITTED FOR CLARITY

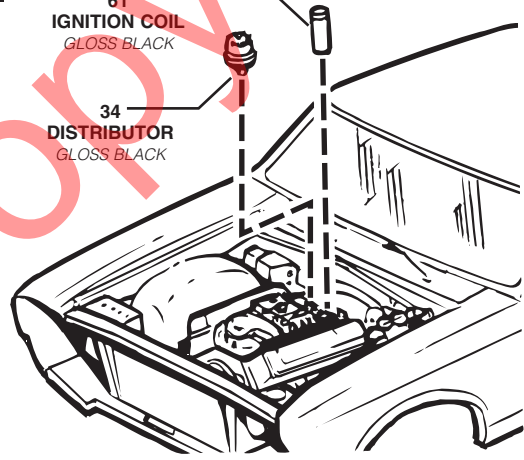
C 29
WATER PUMP
GLOSS ORANGE

*36
ALTERNATOR
CHROME



D 61
IGNITION COIL
GLOSS BLACK

34
DISTRIBUTOR
GLOSS BLACK

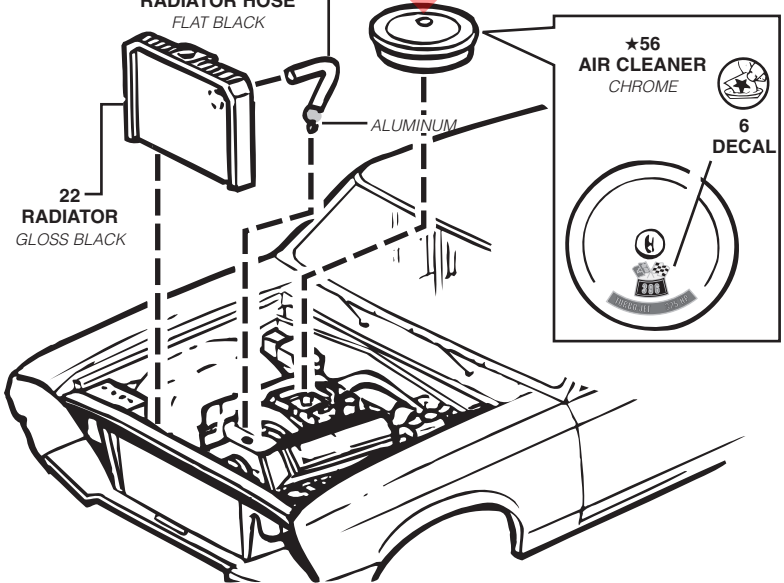


E 42
RADIATOR HOSE
FLAT BLACK

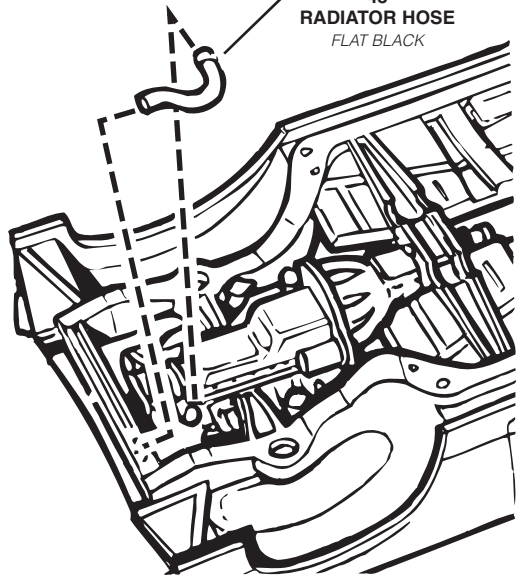
*56
AIR CLEANER
CHROME

6
DECAL

22
RADIATOR
GLOSS BLACK

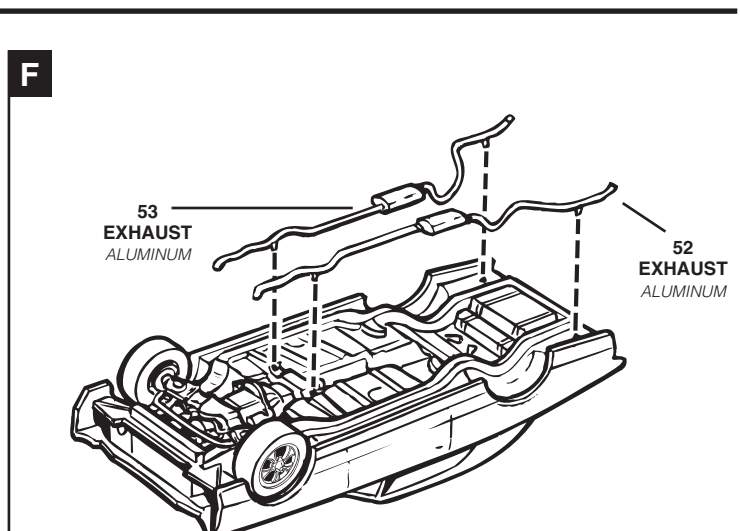
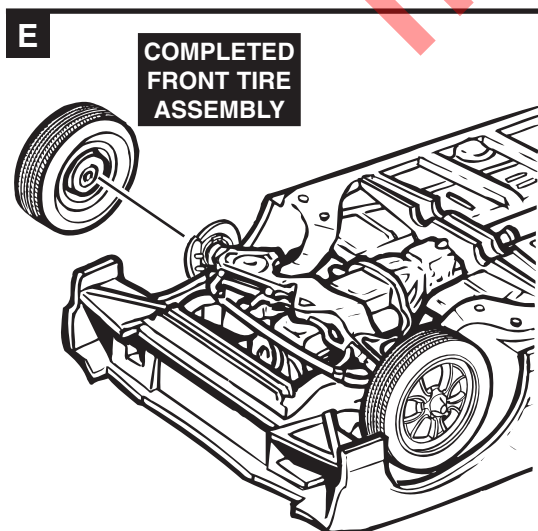
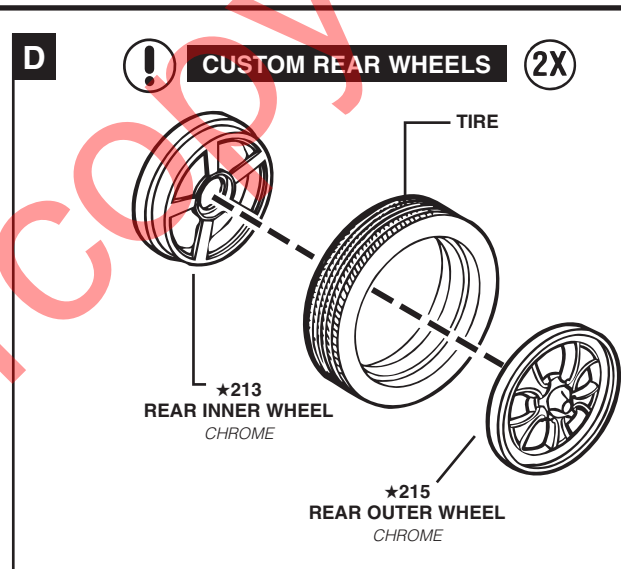
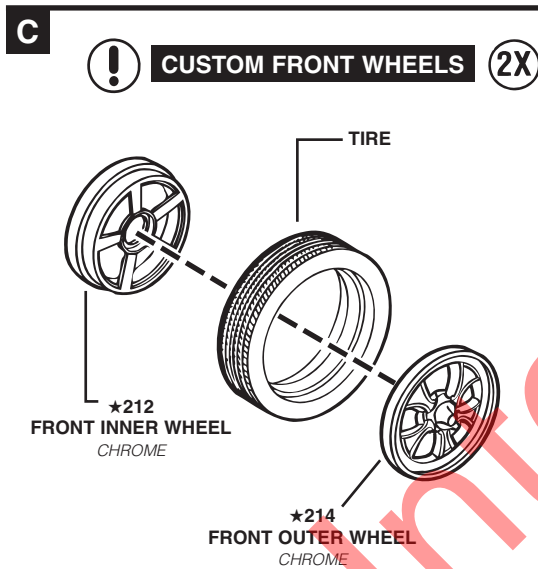
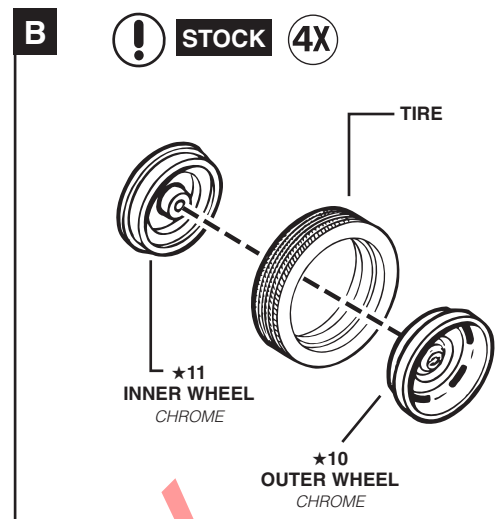
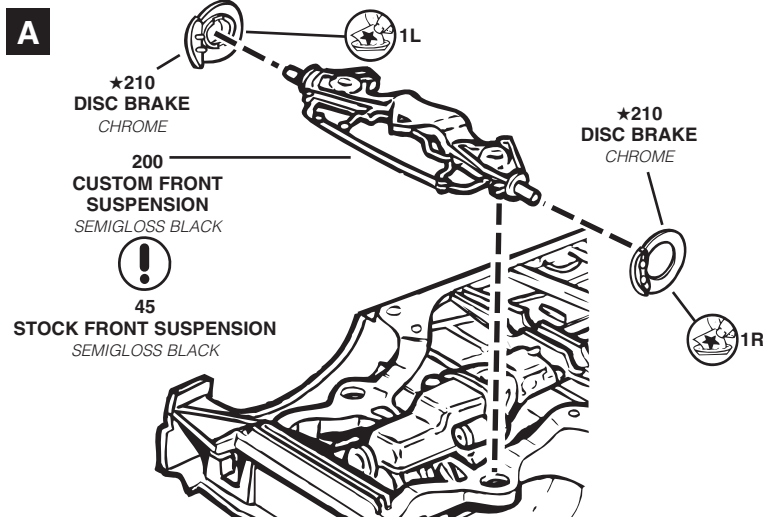


F 43
RADIATOR HOSE
FLAT BLACK



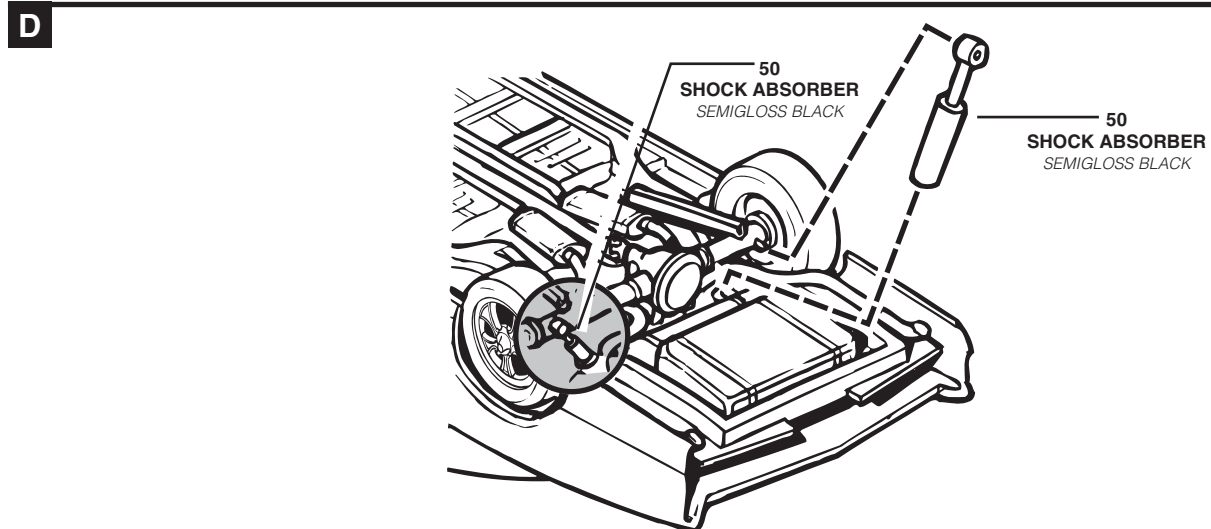
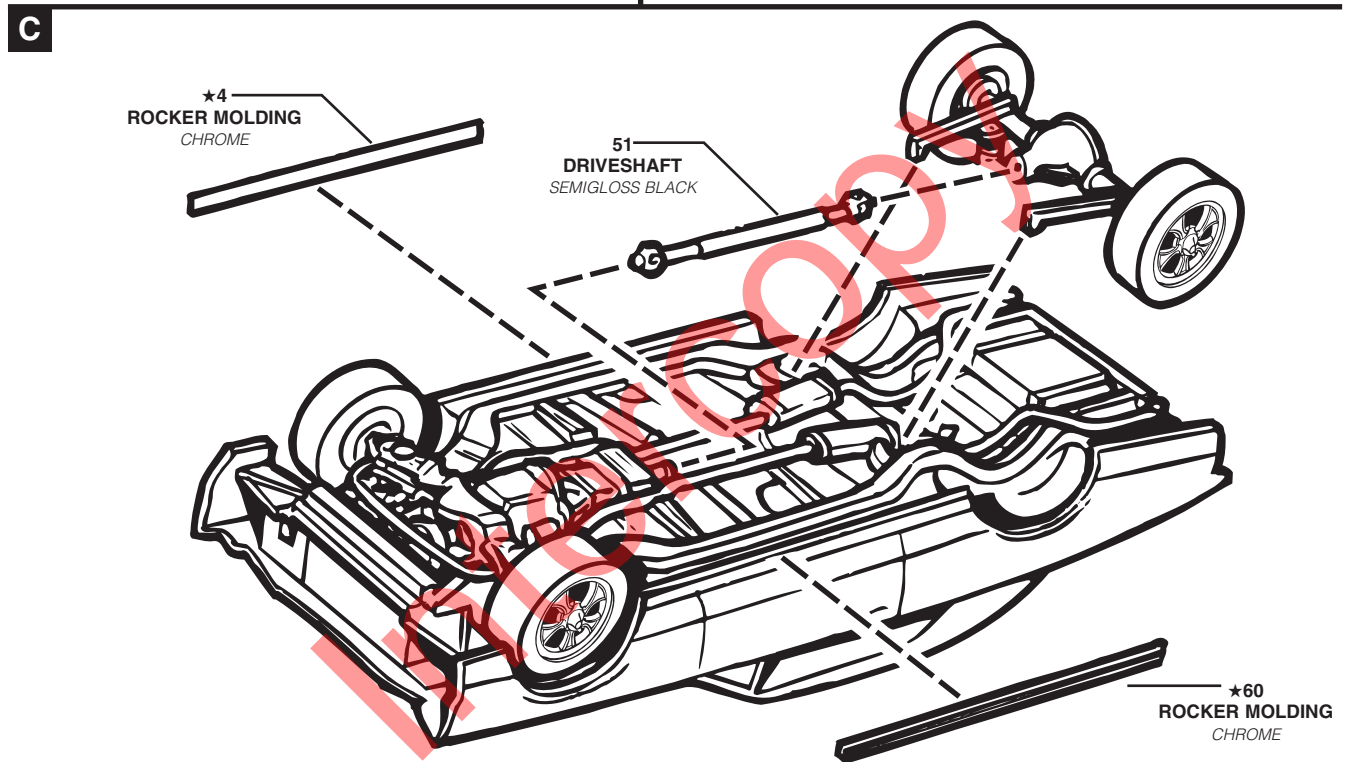
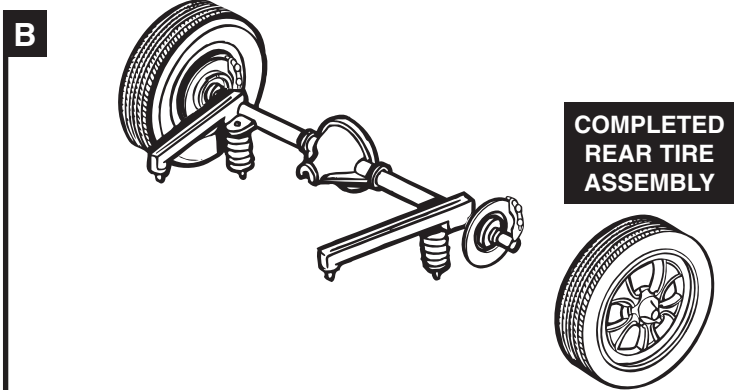
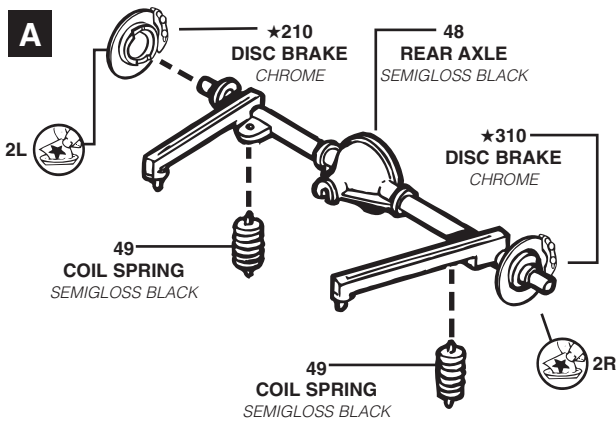
4

WHEEL AND FRONT SUSPENSION

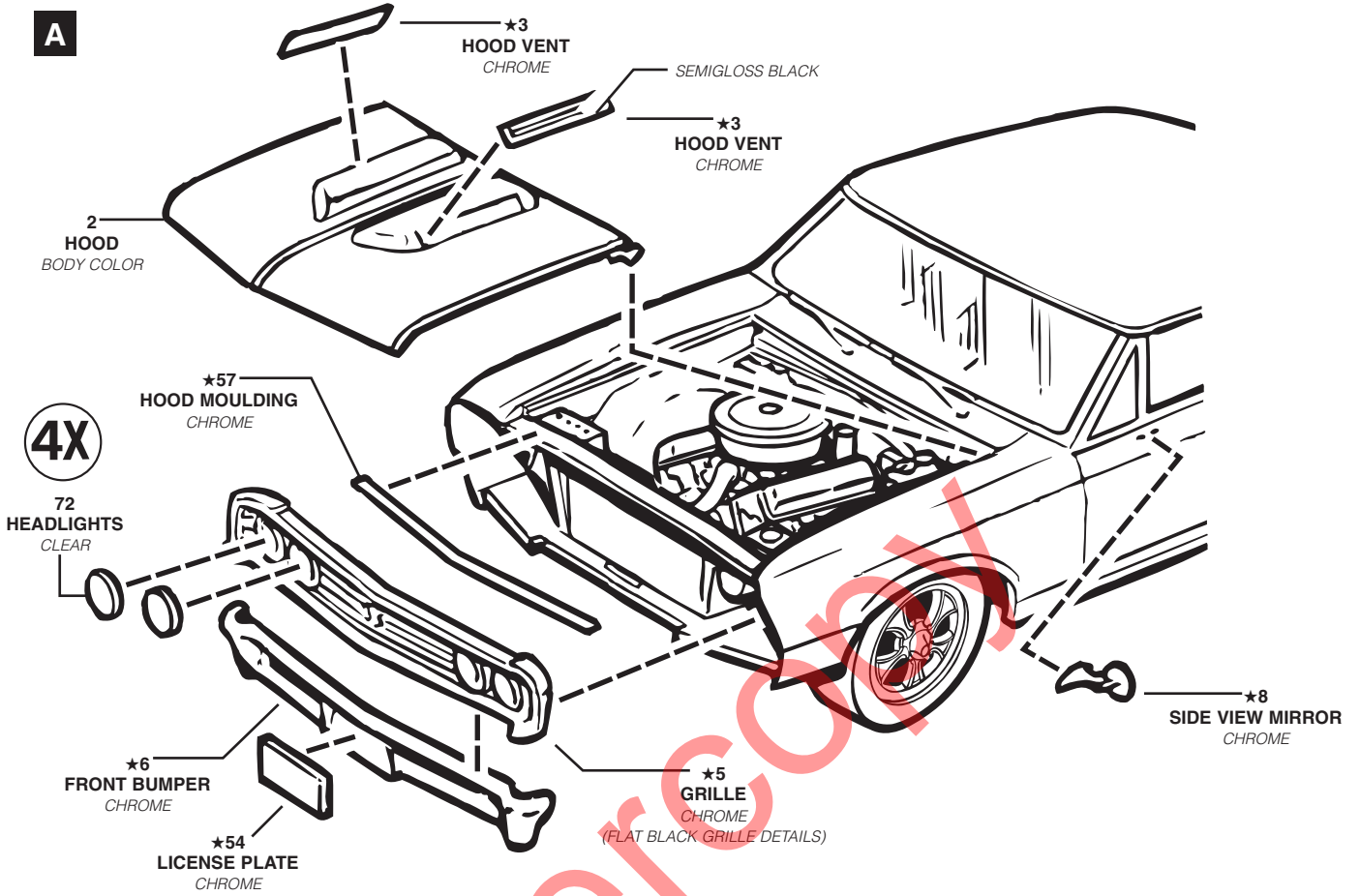


5

REAR SUSPENSION ASSEMBLY



A



B

