



KIT 2193

85219300200



Among the seemingly never ending growth of all things NASCAR®, one guy who is really an expert in riding that wave is Dale Earnhardt, Jr. With his heritage, you would expect Dale Jr. to be in the spotlight. But he has transcended his popularity well past those parts of the media that focuses on racing only. In the last couple years, Dale Jr. has appeared in music videos, on the covers of non-racing magazines and has snared personal contracts to promote consumer products that have nothing at all to do with NASCAR® racing.

However, race car drivers make their mark on the race track. If you don't win races, you're forgotten about faster than yesterday's news and

Dale Jr. has shown time and again that he can deliver the goods. On circuits large and small, Dale Jr. and the DEI crews will arrive with a car that's always a serious threat to take the checkered flag. While the other teams struggle with squeezing more horsepower from restrictor plate restrained engines for the Daytona and Talladega tracks, the DEI teams are literally unbeatable. With 29 races run so far in the 2003 season, Dale Jr. has an incredible 17 Top 10 finishes including one win. It doesn't look like the #8 team is going to be letting up the pressure on the rest of the field any-time soon.

Sorry, Mr. Gordon.



* REPEAT SEVERAL TIMES
* A REPETER PLUSIEURS FOIS



* OPTIONAL PARTS
* PIECES EN OPTION



* DECAL
* DECAL COMANIE



* ALTERNATIVE ASSEMBLY
* ENSEMBLAGE ALTERNATIVE



* CEMENT TOGETHER
* A COLLER



* REMOVE AND THROW AWAY
* A RETIRER ET JETER



* DO NOT CEMENT
* NE PAS COLLER

READ THIS BEFORE YOU BEGIN

- * Study the assembly drawings.
- * Each plastic part is identified by a number.
- * In the assembly drawings, some parts will be marked by a star (★) to indicate chrome plated plastic.
- * For better paint and decal adhesion, wash the plastic parts in a mild detergent solution. Rinse and let air dry.
- * Check the fit of each piece before cementing in place.
- * Use only cement for polystyrene plastic.
- * Scrape plating and paint from areas to be cemented.
- * Allow paint to dry thoroughly before handling parts.
- * Any unused parts may be discarded.

DECAL APPLICATION INSTRUCTIONS

1. Cut desired decal from sheet.
2. Dip decal in water for a few seconds.
3. Place wet decal on paper towel.
4. Wait until decal is movable on paper backing.
5. Place decal in position on model, face up and slide backing away.
6. Press out air bubbles with a soft damp cloth.
7. Milkyness that may appear is for better decal adhesion and will dry clear. Wipe away any excess adhesive.
8. Do not touch decal until fully dry.
9. Allow the decals 48 hours to dry before applying clear coat.

NOTE: Decals are compatible with setting solutions or solvents.

LIRE CE QUI SUIT AVANT DE COMMENCER

- * Etudier les schémas de montage.
- * Chaque pièce en plastique est identifiée par un numéro.
- * Sur les schémas de montage, certaines pièces sont marquées d'une étoile (★) pour indiquer qu'elles sont en plastique chromé.
- * Pour une meilleure prise de la peinture et des autocollants, laver les pièces en plastique avec une solution détergente peu concentrée. Les rincer et les laisser sécher à l'air.
- * Vérifier que chaque pièce s'ajuste bien avant de la coller en place.
- * N'utiliser que de la colle pour polystyrène.
- * Gratter les parties à coller pour enlever le chrome et la peinture.
- * Laisser la peinture bien sécher avant de manipuler les pièces.
- * Toute pièce inutilisée peut être jetée.

DIRECTIVES D'APPLICATION DES AUTOCOLLANTS

1. Découper l'autocollant désiré de la feuille.
2. Tremper l'autocollant dans de l'eau pendant quelques secondes.
3. Placer l'autocollant mouillé sur une serviette en papier.
4. Attendez que l'autocollant puisse être déplacé sur son support en papier.
5. Mettre l'autocollant en position sur le modèle face sur le dessus et faire glisser le support pour l'enlever.
6. Appuyer avec un chiffon doux humide pour éliminer les bulles d'air.
7. La substance laiteuse qui peut apparaître est destinée à améliorer l'adhésion de l'autocollant et devient incolore au séchage. Essuyer pour enlever tout excédent d'adhésif.
8. Ne pas toucher l'autocollant tant qu'il n'est pas bien sec.
9. Laisser l'autocollant sécher pendant 48 heures avant d'appliquer une couche transparente.

REMARQUE: Les autocollants sont compatibles avec les solutions de fixation ou les solvants.

This paint guide is provided to complete this kit as shown on the box.

Ce guide de peinture est fourni pour reproduire le modèle réduit qui apparaît sur la boîte.

Aluminum	Aluminium
Flat Black	Noir mat
Flat White	Blanc mat
Gloss Dark Blue	Bleu foncé brillant
Gloss Gray	Gris brillant
Gloss Red	Rouge brillant
Gunmetal	Bronze
Jet Exhaust	Flux d'éjection
Semigloss Black	Noir satiné
Silver	Argent

If you have any questions or comments, call our hotline at: **(800) 833-3570** or, please write to:

Revell-Monogram Consumer Service Department, 725 Landwehr, Northbrook, Illinois 60062

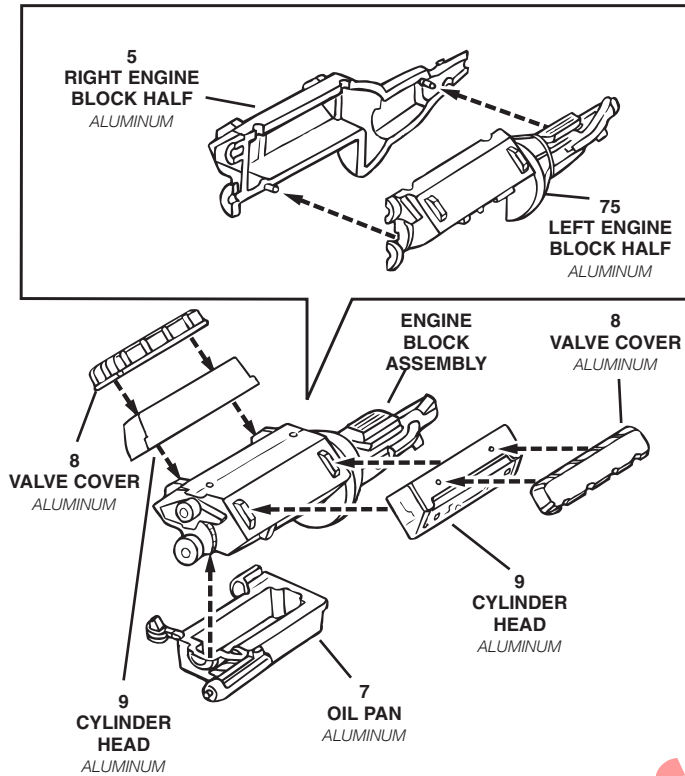
Be sure to include the plan number (85219300200), part number, description, your return address and phone number.

Visit our website: www.revell-monogram.com

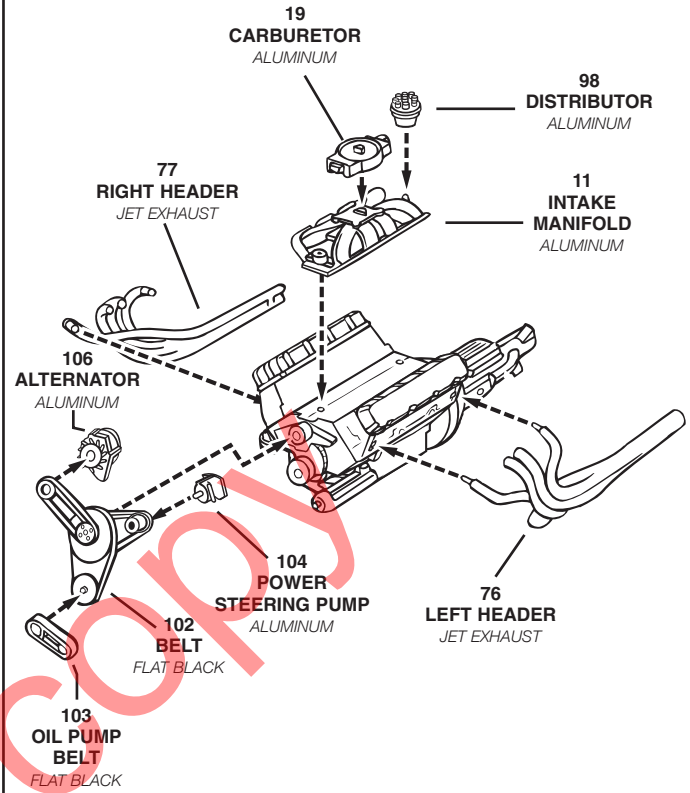
1

ENGINE ASSEMBLY

A



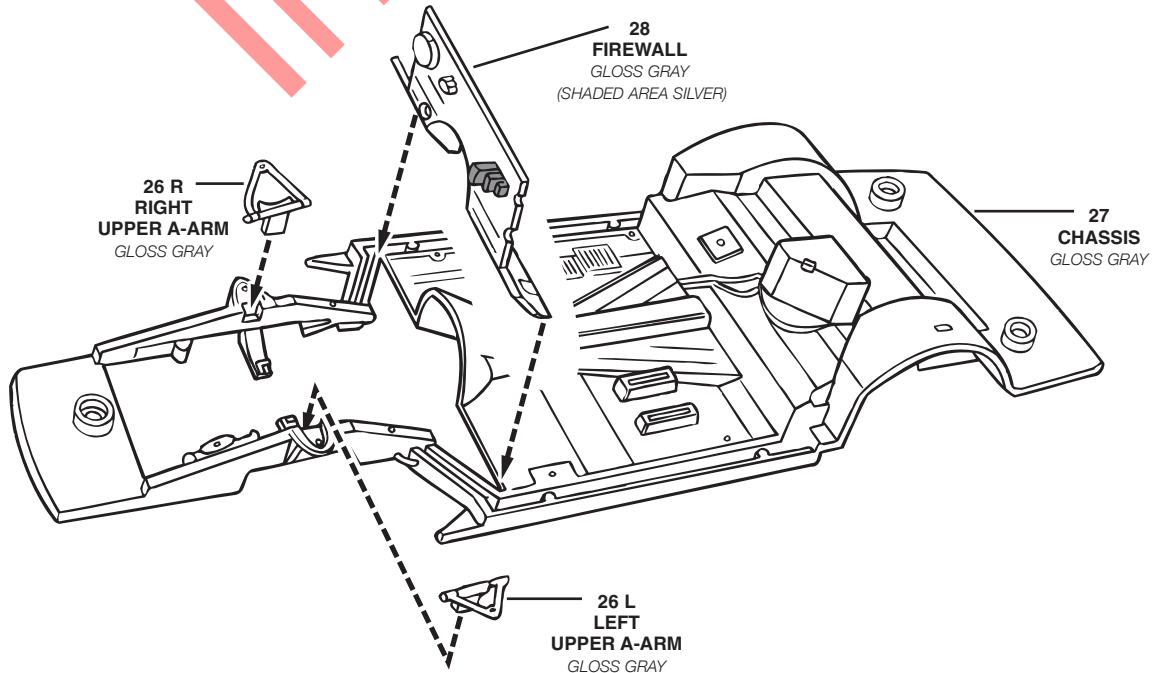
B



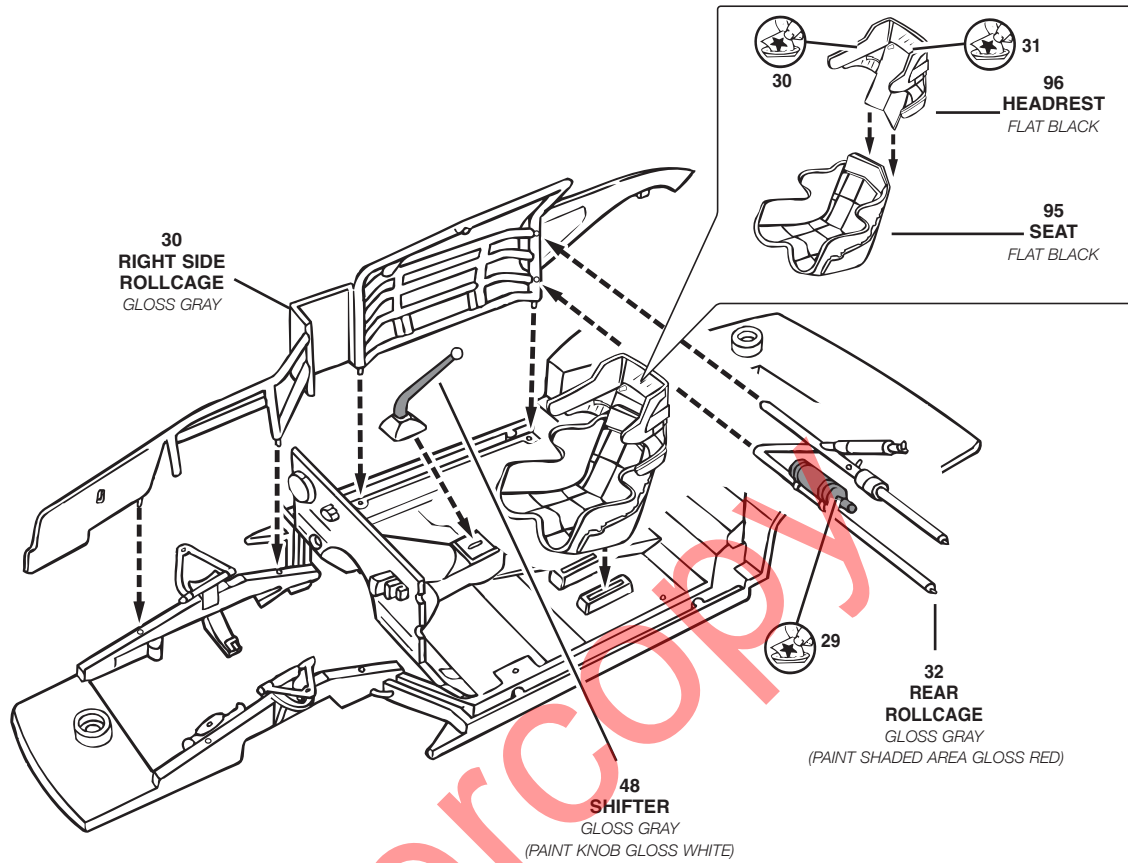
2

CHASSIS ASSEMBLY

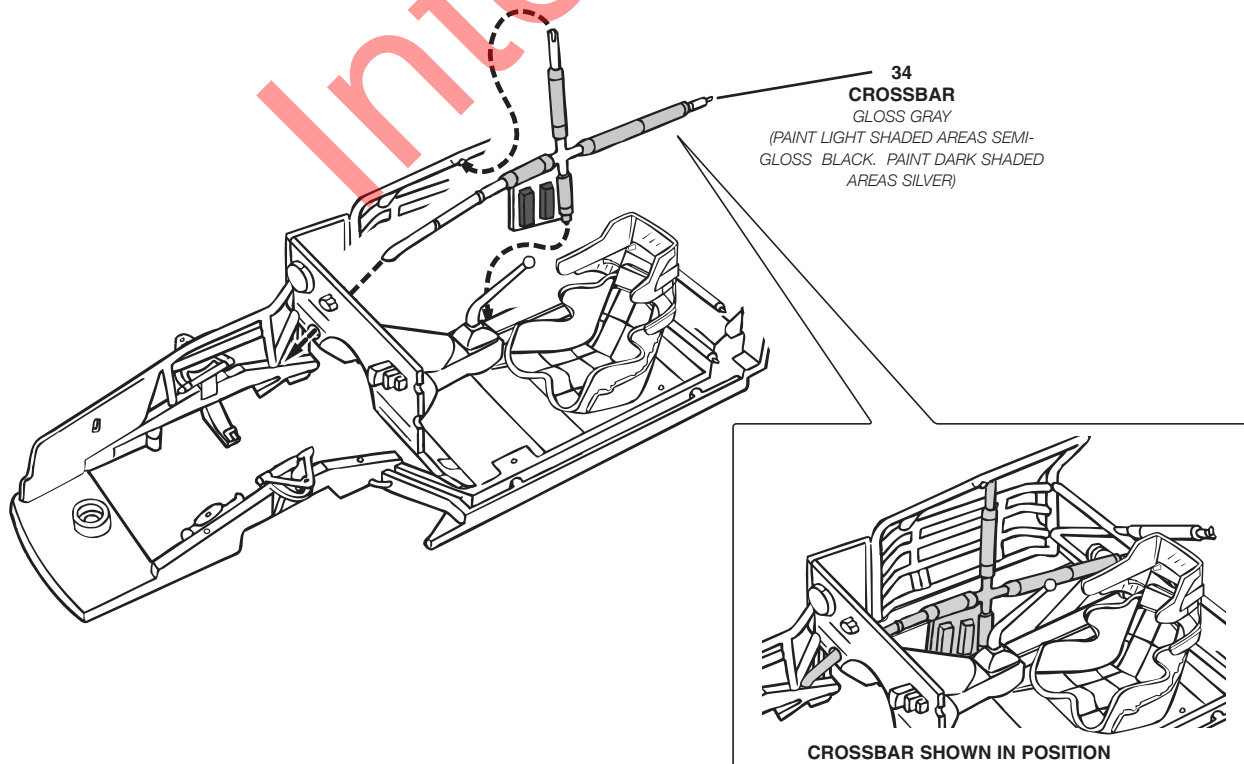
A



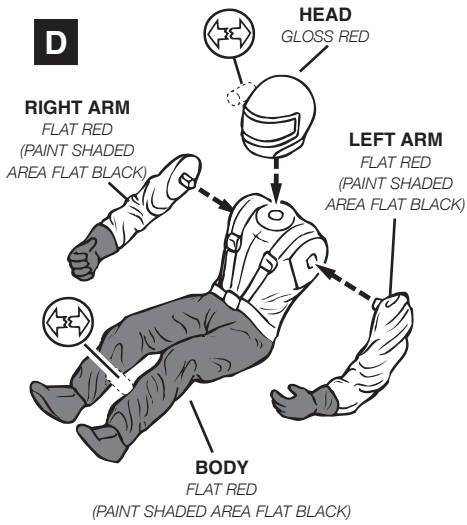
B



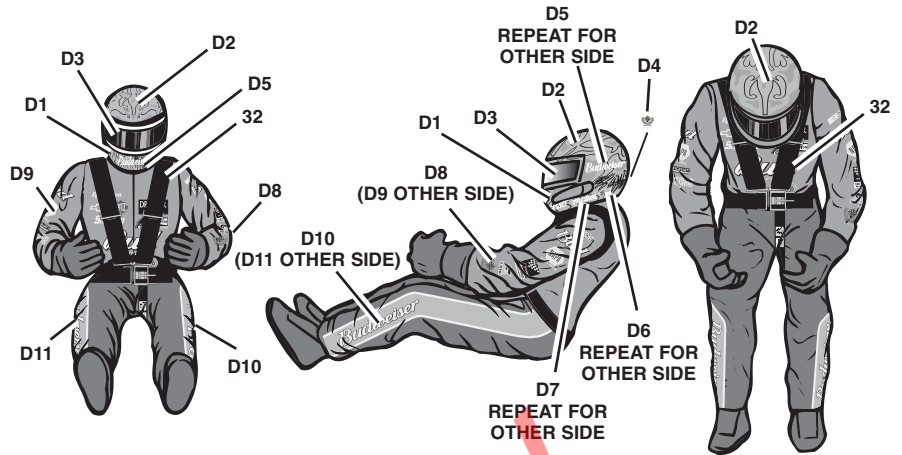
C



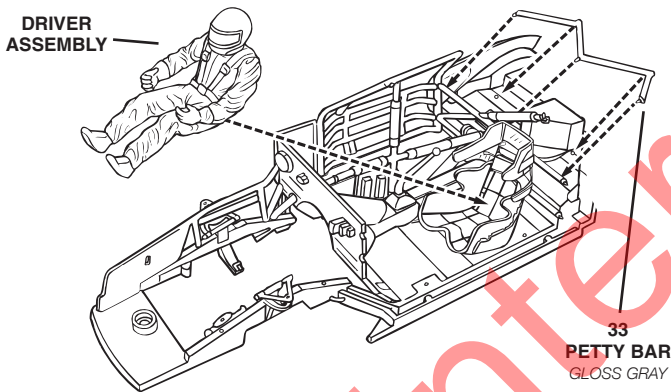
D



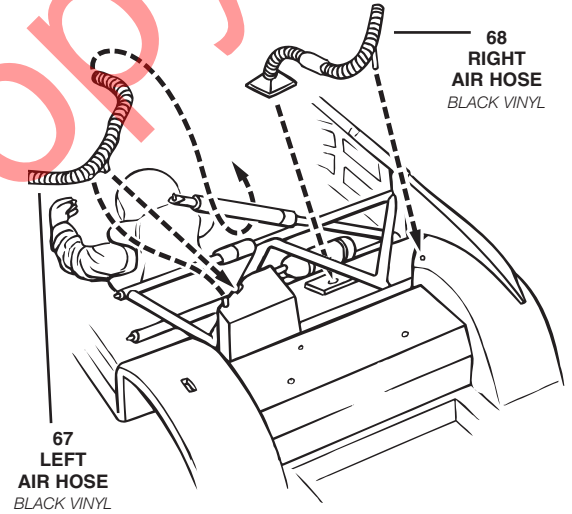
NOTE: DRIVER DECALS MUST BE APPLIED BEFORE CEMENTING FIGURE TO CHASSIS



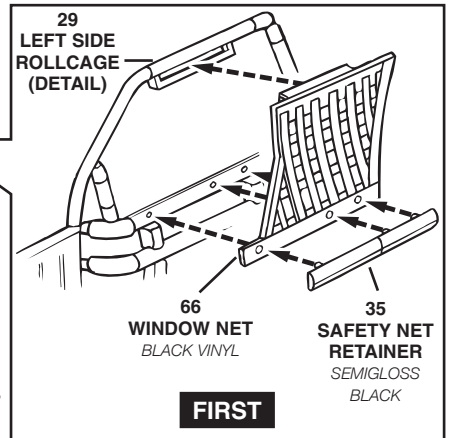
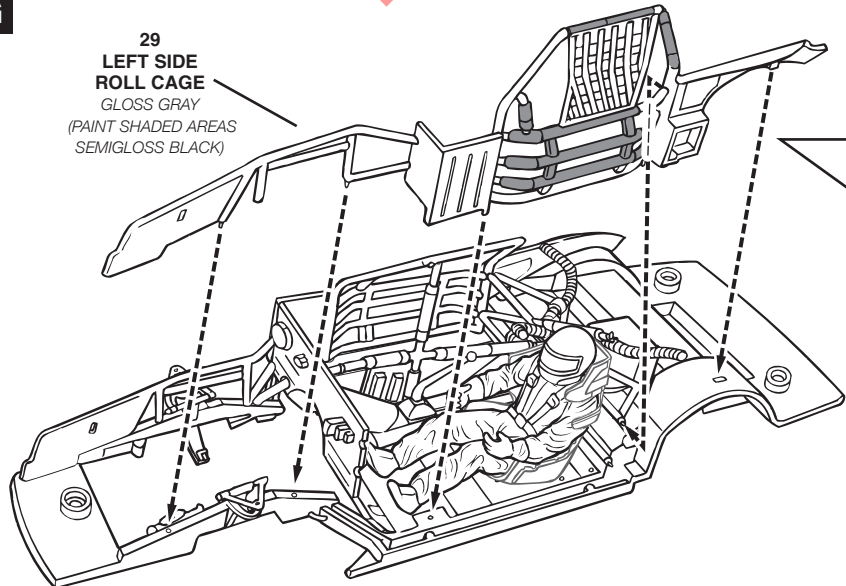
E



F



G



2

CHASSIS ASSEMBLY CONTINUED

H

41
ROLLCAGE
TOP
(DETAIL)
GLOSS GRAY

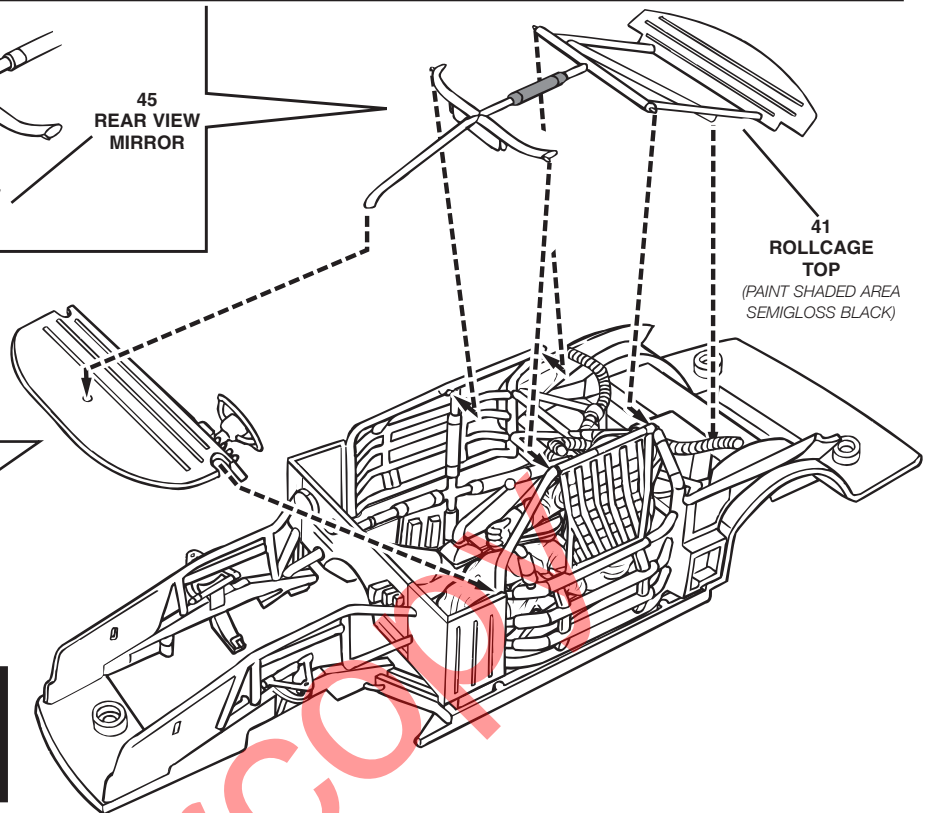
45
REAR VIEW
MIRROR

41
ROLLCAGE
TOP
(PAINT SHADED AREA
SEMIGLOSS BLACK)

52
DASHBOARD
FLAT BLACK
(PAINT SWITCHES AND
DETAILS SILVER)

59
STEERING
WHEEL
(PAINT SHADED
AREA ALUMINUM)

NOTE: CUT INSTRUMENT
PANEL OFF
SHEET AND GLUE
TO BACK SIDE OF
DASHBOARD USING



3

REAR SUSPENSION ASSEMBLY

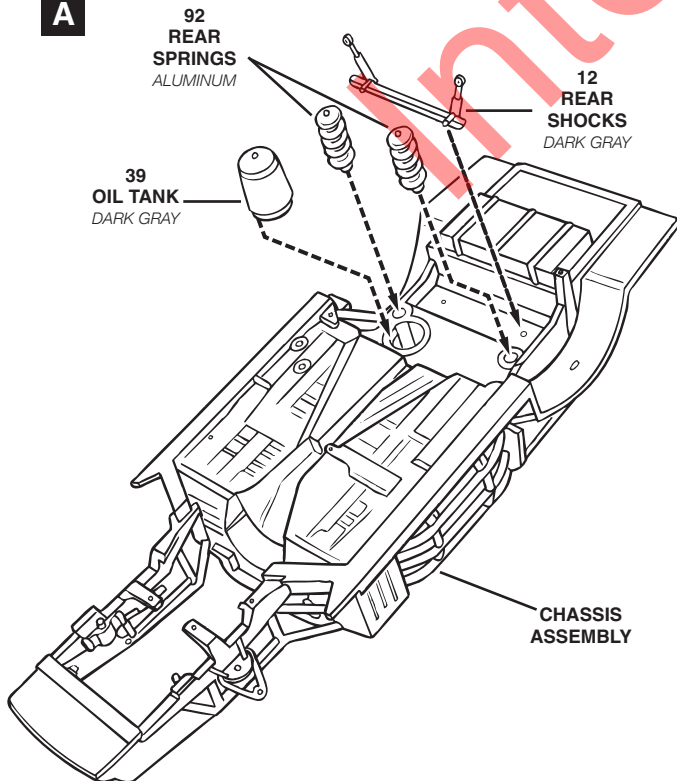
A

92
REAR
SPRINGS
ALUMINUM

12
REAR
SHOCKS
DARK GRAY

39
OIL TANK
DARK GRAY

CHASSIS
ASSEMBLY



B

89
PUMP
GUNMETAL

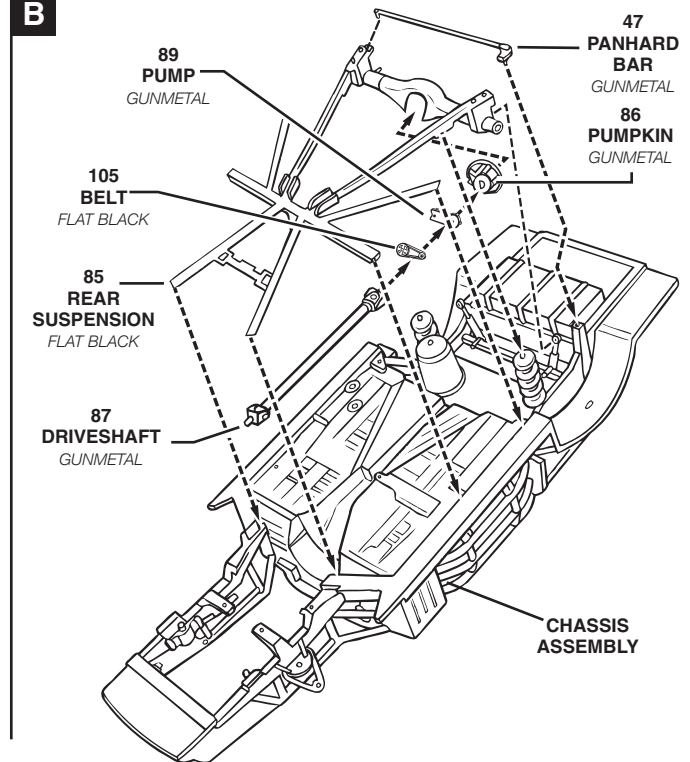
47
PANHARD
BAR
GUNMETAL
86
PUMPKIN
GUNMETAL

105
BELT
FLAT BLACK

85
REAR
SUSPENSION
FLAT BLACK

87
DRIVESHAFT
GUNMETAL

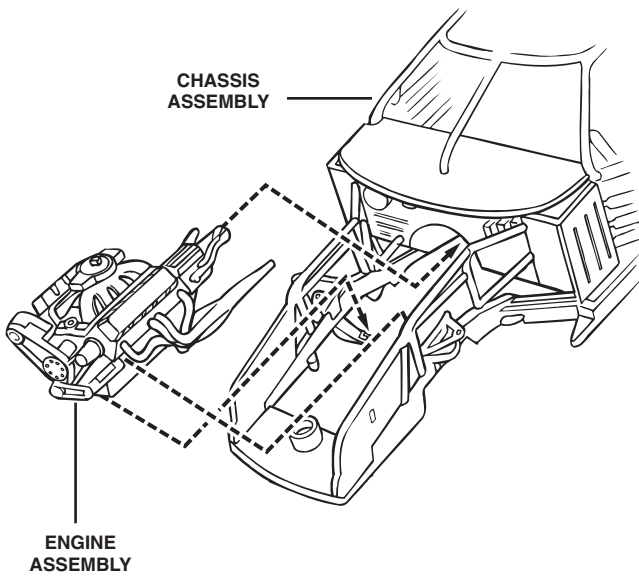
CHASSIS
ASSEMBLY



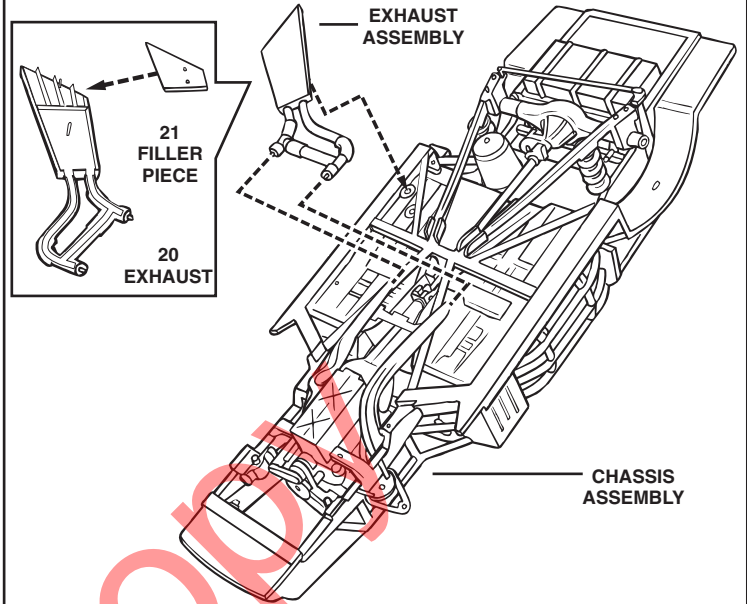
4

DRIVETRAIN ASSEMBLY

A



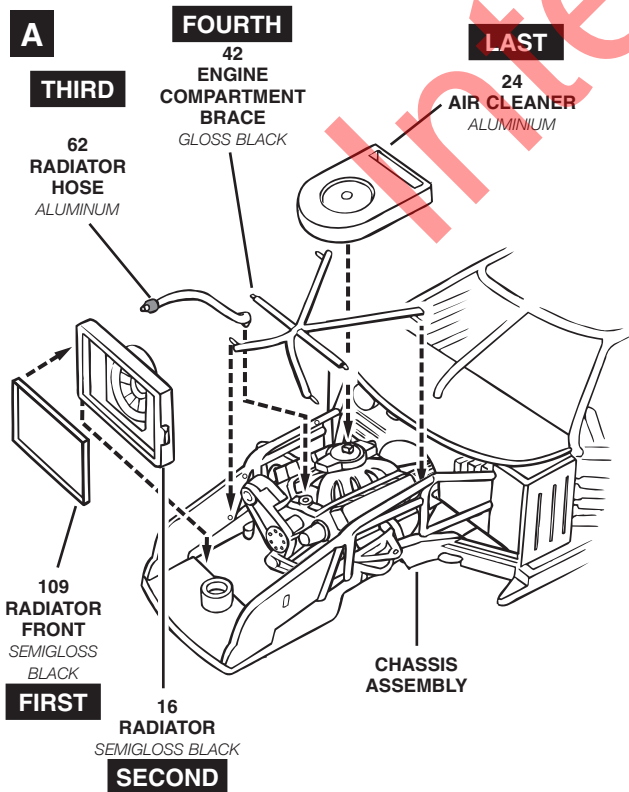
B



5

FRONT END ASSEMBLY

A



B

