

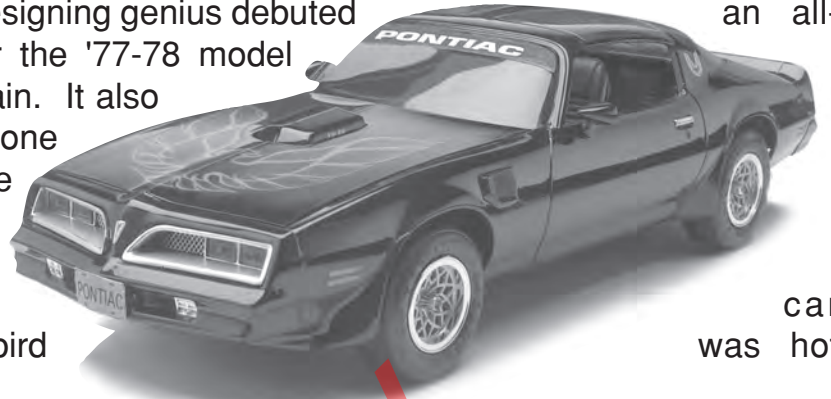


KIT 2343

85234310200

'78 Firebird 3 n 1

It's hard to believe that at one time, the beloved Firebird almost disappeared from the American automotive scene. Sales were not good and Pontiac was allowed one more chance before the car was dropped. A stroke of designing genius debuted an all-new, extremely aggressive front end for the '77-78 model and suddenly the Firebird was selling again. It also didn't hurt that the car was featured in one of the most popular films of the decade involving a race across America. The Firebird was prominently featured in the film and it won the hearts of muscle fans everywhere. Once again, the Firebird and it's been hot ever since.



car was hot



* REPEAT SEVERAL TIMES
* A REPETER PLUSIEURS FOIS



* OPTIONAL PARTS
* PIECES EN OPTION



* DECAL
* DECAL COMANIE



* ALTERNATIVE ASSEMBLY
* ENSEMBLAGE ALTERNATIVE



* CEMENT TOGETHER
* A COLLER



* REMOVE AND THROW AWAY
* A RETIRER ET JETER



* DO NOT CEMENT
* NE PAS COLLER

READ THIS BEFORE YOU BEGIN

- * Study the assembly drawings.
- * Each plastic part is identified by a number.
- * In the assembly drawings, some parts will be marked by a star (★) to indicate chrome plated plastic.
- * For better paint and decal adhesion, wash the plastic parts in a mild detergent solution. Rinse and let air dry.
- * Check the fit of each piece before cementing in place.
- * Use only cement for polystyrene plastic.
- * Scrape plating and paint from areas to be cemented.
- * Allow paint to dry thoroughly before handling parts.
- * Any unused parts may be discarded.

DECAL APPLICATION INSTRUCTIONS

1. Cut desired decal from sheet.
2. Dip decal in water for a few seconds.
3. Place wet decal on paper towel.
4. Wait until decal is movable on paper backing.
5. Place decal in position on model, face up and slide backing away.
6. Press out air bubbles with a soft damp cloth.
7. Milkyness that may appear is for better decal adhesion and will dry clear. Wipe away any excess adhesive.
8. Do not touch decal until fully dry.
9. Allow the decals 48 hours to dry before applying clear coat.

NOTE: Decals are not compatible with setting solutions or solvents.

LIRE CE QUI SUIT AVANT DE COMMENCER

- * Etudier les schémas de montage.
- * Chaque pièce en plastique est identifiée par un numéro.
- * Sur les schémas de montage, certaines pièces sont marquées d'une étoile (★) pour indiquer qu'elles sont en plastique chromé.
- * Pour une meilleure prise de la peinture et des autocollants, laver les pièces en plastique avec une solution détergente peu concentrée. Les rincer et les laisser sécher à l'air.
- * Vérifier que chaque pièce s'ajuste bien avant de la coller en place.
- * N'utiliser que de la colle pour polystyrène.
- * Gratter les parties à coller pour enlever le chrome et la peinture.
- * Laisser la peinture bien sécher avant de manipuler les pièces.
- * Toute pièce inutilisée peut être jetée.

DIRECTIVES D'APPLICATION DES AUTOCOLLANTS

1. Découper l'autocollant désiré de la feuille.
2. Tremper l'autocollant dans de l'eau pendant quelques secondes.
3. Placer l'autocollant mouillé sur une serviette en papier.
4. Attendez que l'autocollant puisse être déplacé sur son support en papier.
5. Mettre l'autocollant en position sur le modèle face sur le dessus et faire glisser le support pour l'enlever.
6. Appuyer avec un chiffon doux humide pour éliminer les bulles d'air.
7. La substance laiteuse qui peut apparaître est destinée à améliorer l'adhésion de l'autocollant et devient incolore au séchage. Essuyer pour enlever tout excédent d'adhésif.
8. Ne pas toucher l'autocollant tant qu'il n'est pas bien sec.
9. Laisser l'autocollant sécher pendant 48 heures avant d'appliquer une couche transparente.

This paint guide is provided to complete this kit as shown on the box.

Ce guide de peinture est fourni pour reproduire le modèle réduit qui apparaît sur la boîte.

Aluminum	Aluminium
Dark Gray	Gris foncé
Dark Tan	Havane foncé
Flat Black	Noir mat
Flat Gull Gray	Gris cendré mat
Flat White	Blanc mat
Gloss Black	Noir lustré
Gloss Dark Blue	Bleu foncé lustré
Gloss Orange	Orange lustré
Gloss Red	Rouge lustré
Gloss White	Blanc lustré
Gold	Or
Gunmetal	Bronze
Semigloss Black	Noir satiné
Silver	Argent
Steel	Acier
Tan	Havane
Transparent Red	Rouge transparent
Turn signal Amber	Feu de virage ambre

If you have any questions or comments, call our hotline at: (800) 833-3570 or, please write to:

Revell-Monogram Consumer Service Department, 725 Landwehr, Northbrook, Illinois 60062

Be sure to include the plan number (85234310200), part number, description, your return address and phone number.

Visit our website: www.revell-monogram.com

1

CHASSIS ASSEMBLY

A

12
SHOCK ABSORBER
DARK GLOSS BLUE

10
EXHAUST AND REAR SUSPENSION
ALUMINUM
(PAINT SHADED AREA
FLAT BLACK)

NOTE: USE RISER BLOCKS FOR THE DRAG RACING VERSION ONLY

13
RISER BLOCK
FLAT BLACK
(SHOWN IN PLACE)

12
SHOCK ABSORBER
DARK GLOSS BLUE
(SHOWN IN PLACE)

13
RISER BLOCK
FLAT BLACK



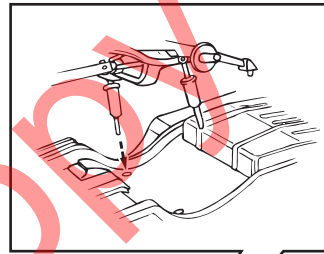
NOTE: BEFORE BEGINNING PICK ONE VERSION TO BUILD

B

COMPLETED ASSEMBLY

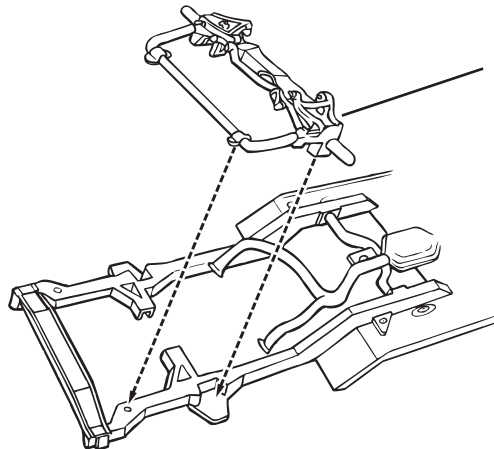
11
DRIVESHAFT
STOCK VERSION: FLAT BLACK
STREET / DRAG VERSION: ALUMINUM

9
CHASSIS
FLAT BLACK



C

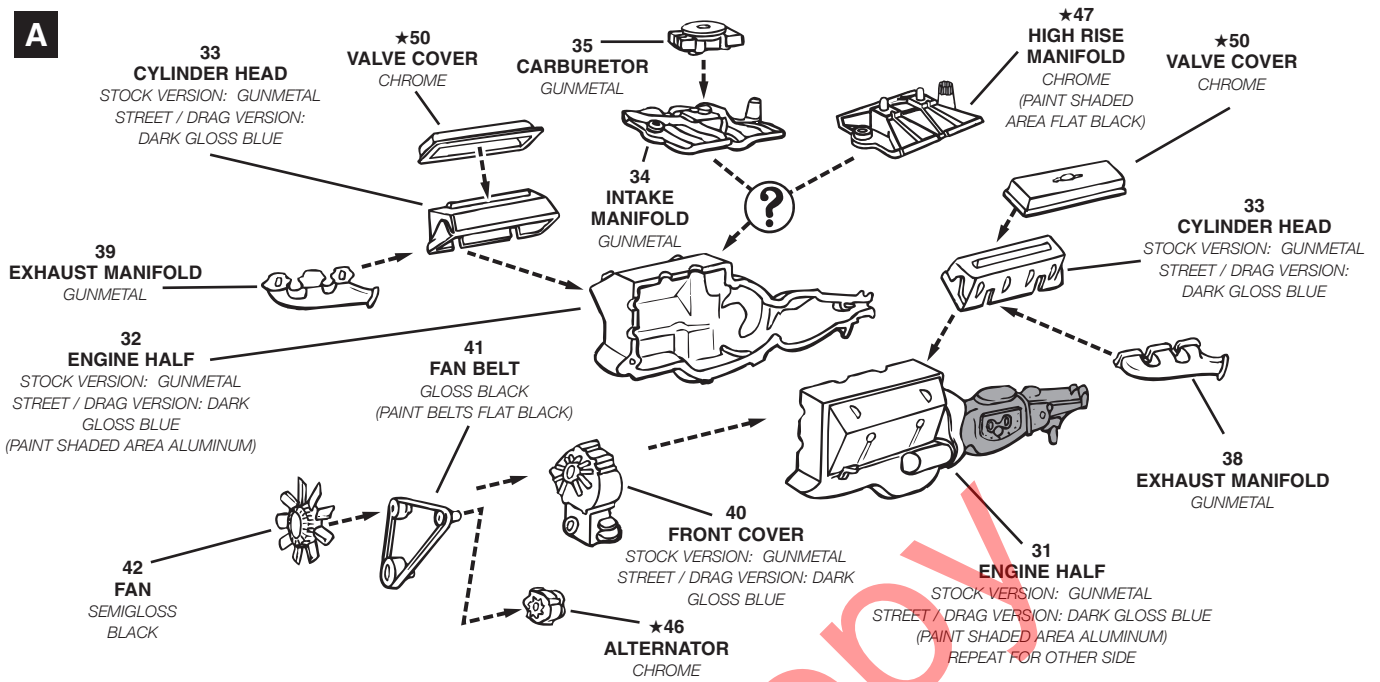
14
FRONT SUSPENSION
FLAT BLACK



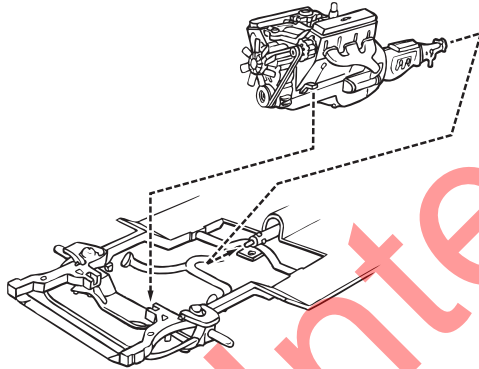
2

ENGINE ASSEMBLY

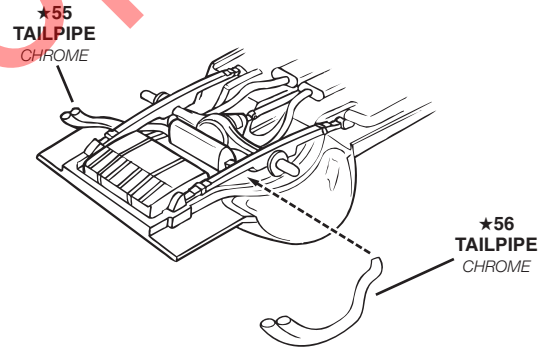
A



B



C

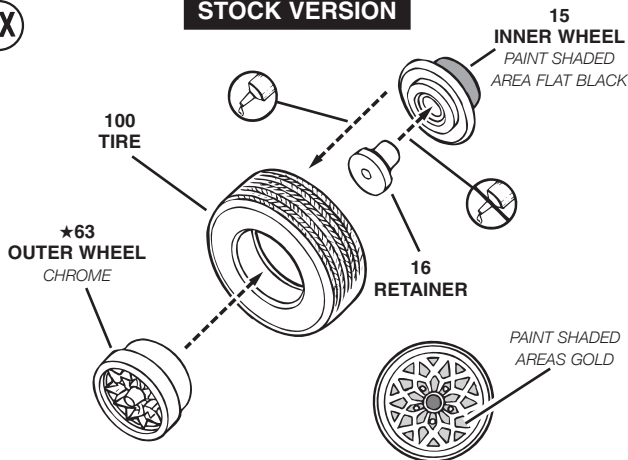


3

WHEEL ASSEMBLY

A (4X)

STOCK VERSION

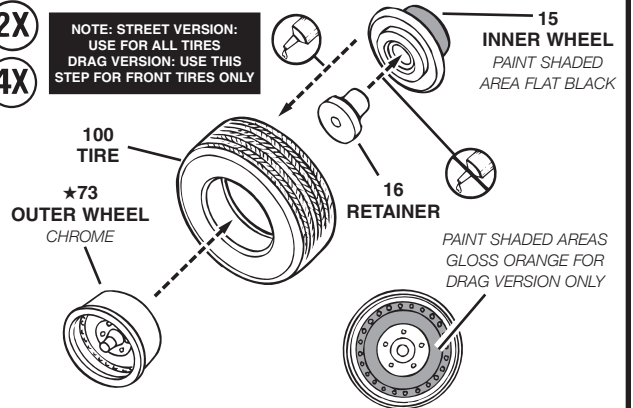


?

STREET / DRAG VERSION

(2X)
(4X)

NOTE: STREET VERSION:
USE FOR ALL TIRES
DRAG VERSION: USE THIS
STEP FOR FRONT TIRES ONLY



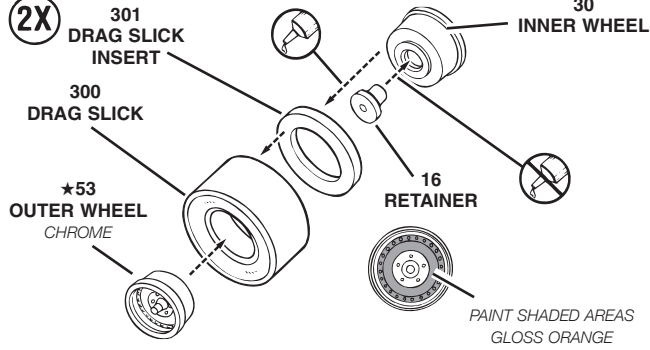
3

WHEEL ASSEMBLY CONTINUED

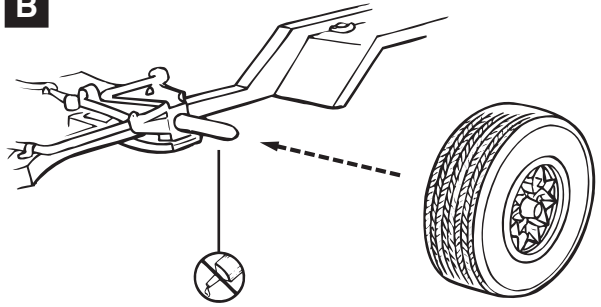


DRAG VERSION : REAR ONLY

2X



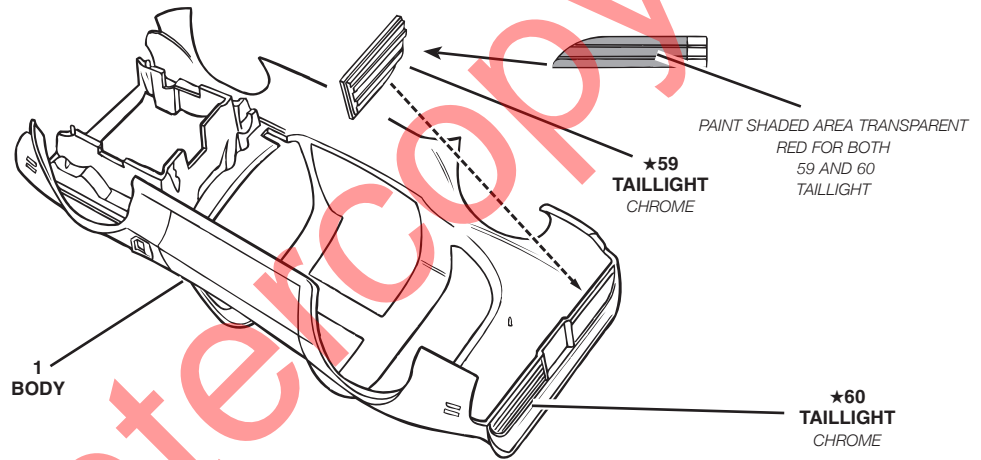
B



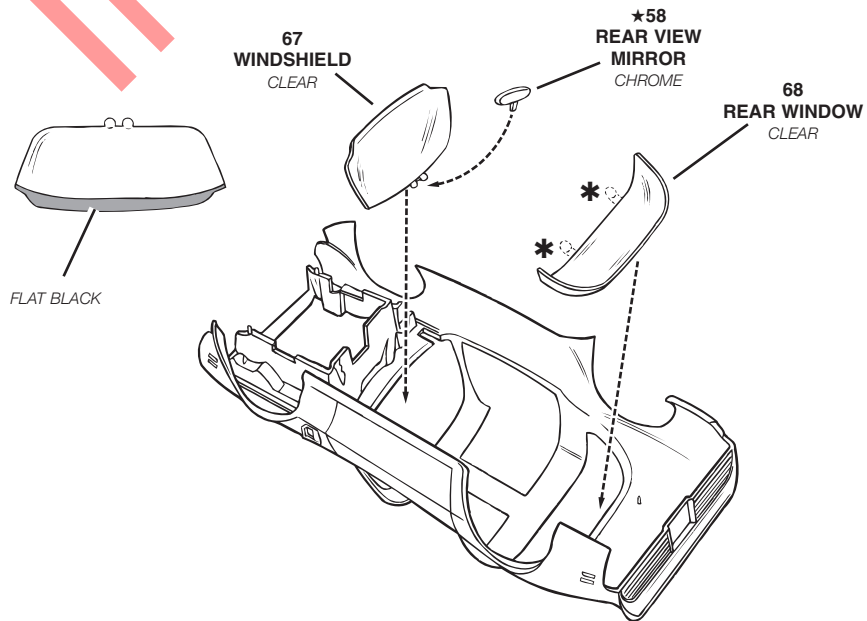
4

BODY ASSEMBLY

A



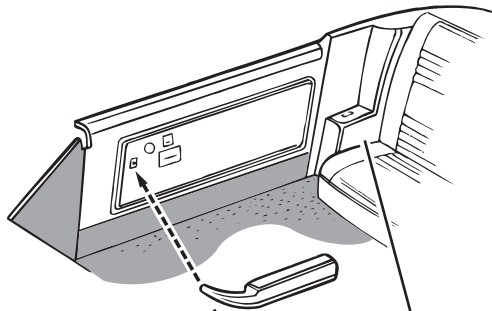
B



5

INTERIOR ASSEMBLY

A



27
ARM REST

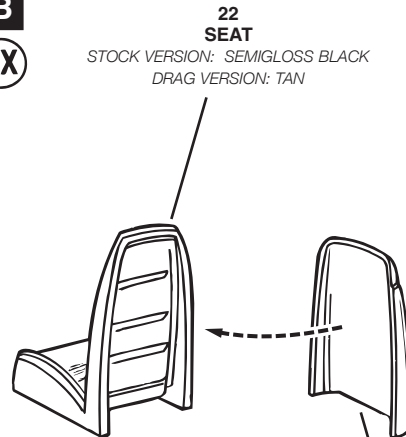
STOCK VERSION: SEMIGLOSS BLACK
STREET / DRAG VERSION: TAN
REPEAT FOR OTHER SIDE USING 26
ARM REST

17
INTERIOR

STOCK VERSION: SEMIGLOSS BLACK
STREET / DRAG VERSION: TAN
(PAINT SHADED AREA DARK TAN)

B

(2X)



22
SEAT

STOCK VERSION: SEMIGLOSS BLACK
DRAG VERSION: TAN

23
SEAT BACK

STOCK VERSION: SEMIGLOSS BLACK
STREET / DRAG VERSION: TAN

C

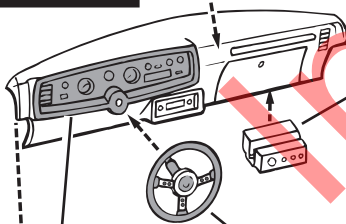
19
RADAR DETECTOR
SEMIGLOSS BLACK

STOCK VERSION

STREET / STOCK VERSION

20
CB RADIO
SEMIGLOSS BLACK

★57
SHIFTER
CHROME



21
STEERING WHEEL
STOCK VERSION: SILVER
(PAINT SHADED AREA SEMIGLOSS BLACK)
STREET / DRAG VERSION: SILVER
(PAINT SHADED AREA DARK TAN, PAINT DARK SHADED AREA SEMIGLOSS BLACK)

STREET / DRAG VERSION:
DARK TAN

SEMIGLOSS BLACK

18
INSTRUMENT PANEL
STOCK VERSION: SEMIGLOSS BLACK
(PAINT HIGHLIGHTS SILVER)
STREET / DRAG VERSION: DARK TAN
(PAINT SHADED AREA SEMIGLOSS BLACK WITH SILVER HIGHLIGHTS)

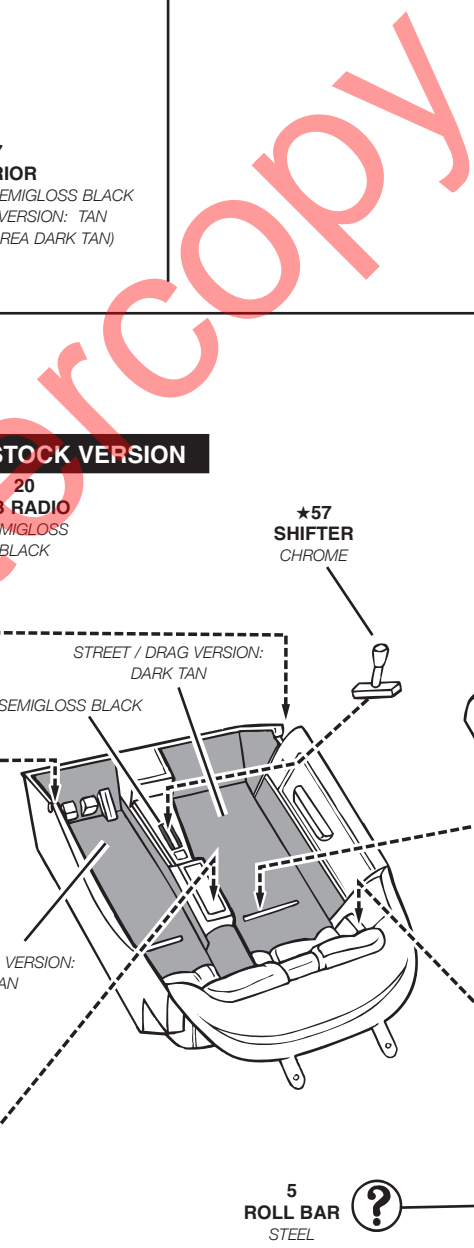
24
FIRE EXTINGUISHER
GLOSS RED
PAINT NOZZLE FLAT BLACK
(PAINT SHADED ARE GUNMETAL)

STREET / DRAG VERSION

STREET / DRAG VERSION:
DARK TAN

5
ROLL BAR
STEEL

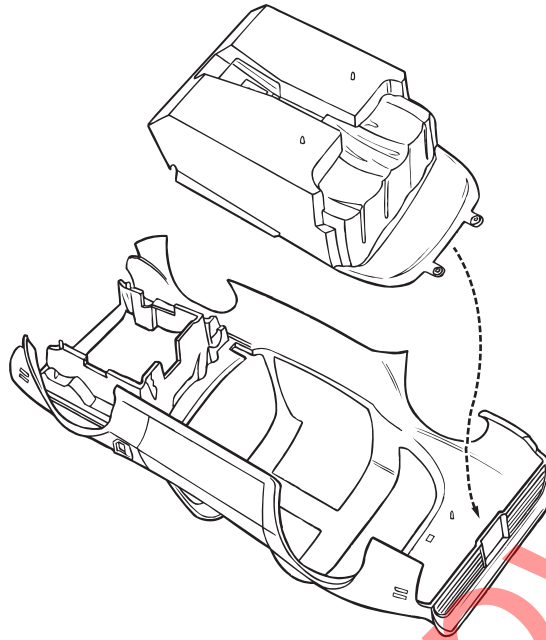
STREET / DRAG VERSION



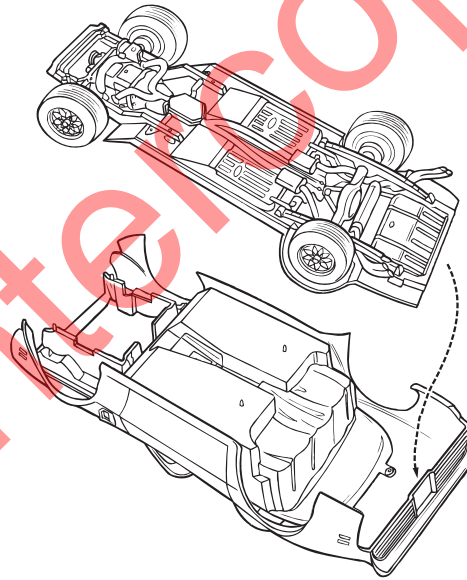
6

BODY ASSEMBLY

A



B

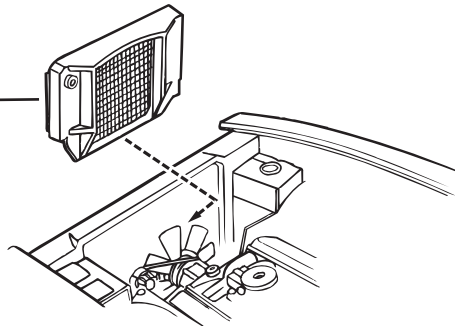


7

FINAL ASSEMBLY

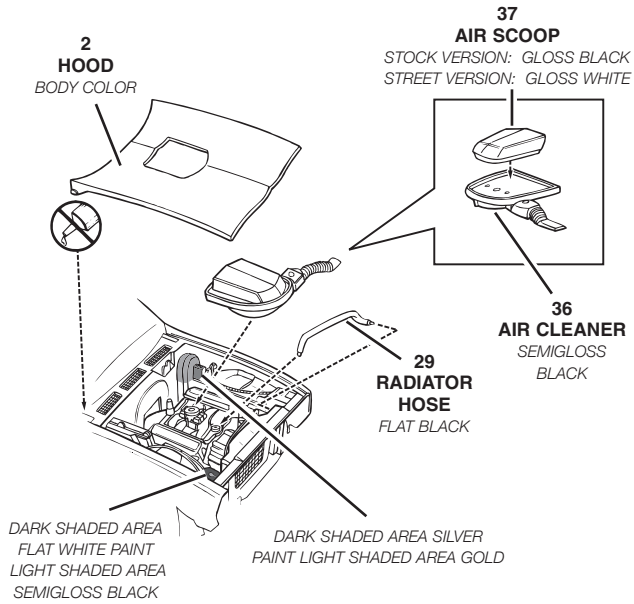
A

28
RADIATOR
FLAT BLACK

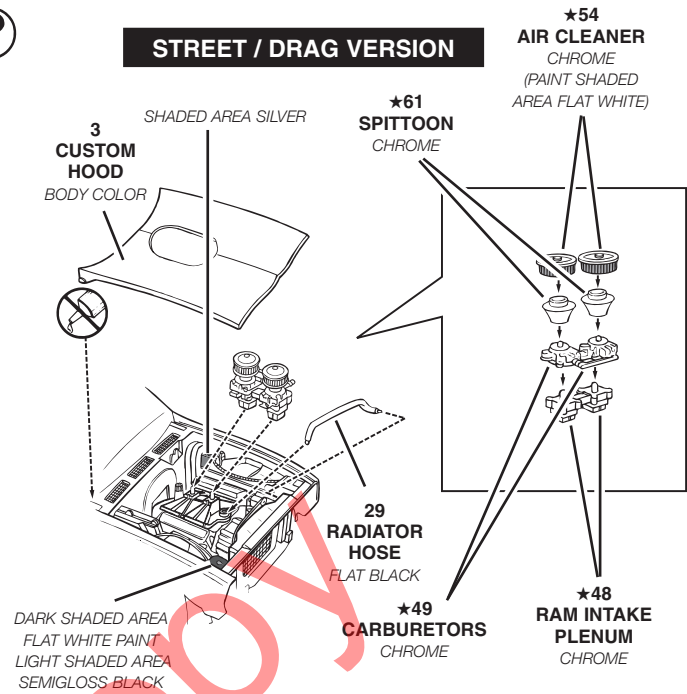


B

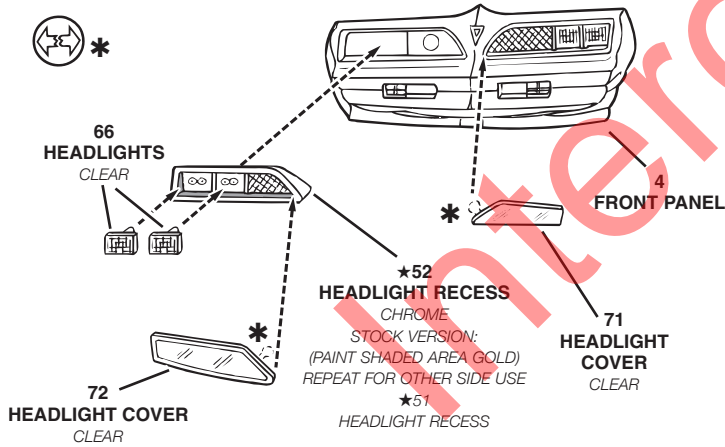
STOCK / STREET VERSION



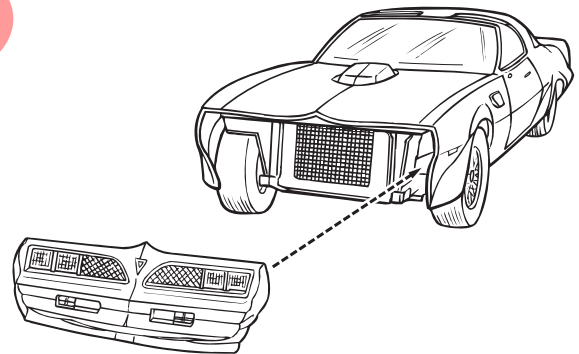
STREET / DRAG VERSION



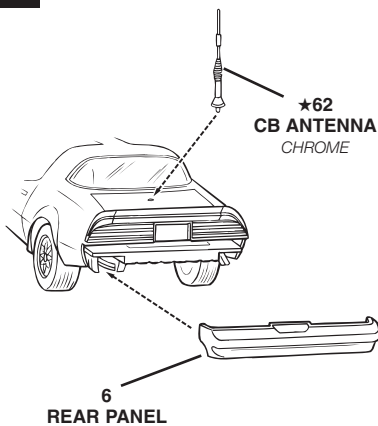
C



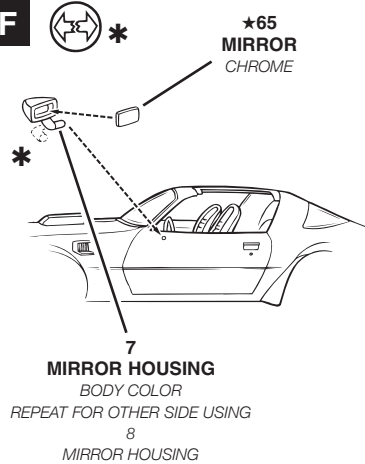
D



E

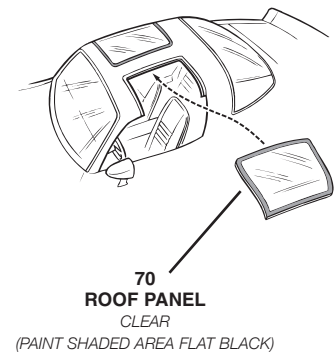


F



G

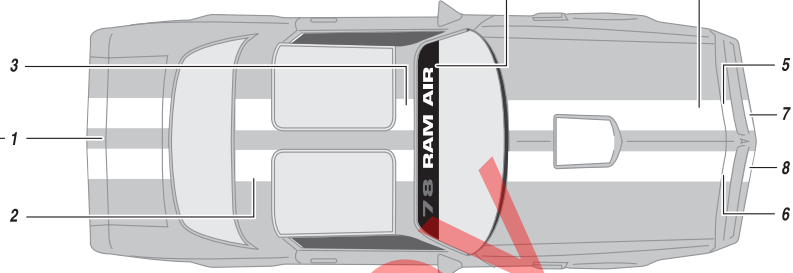
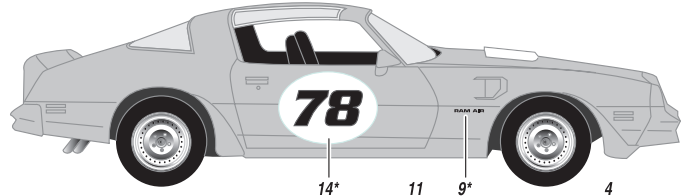
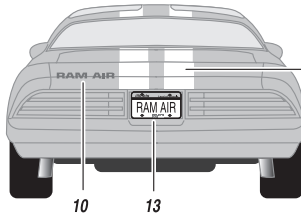
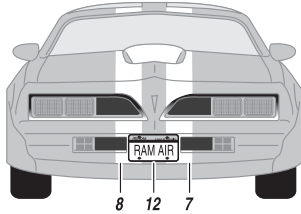
NOTE: REPEAT FOR OTHER SIDE





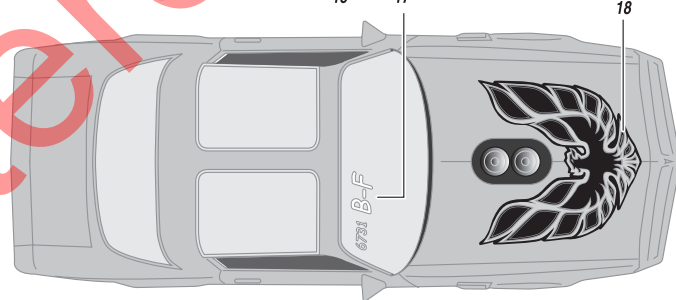
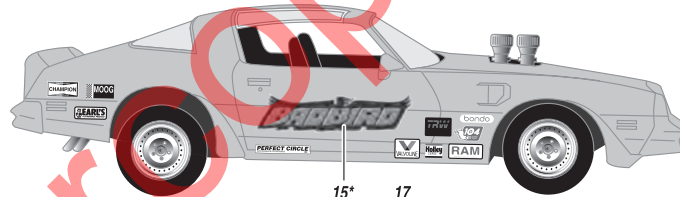
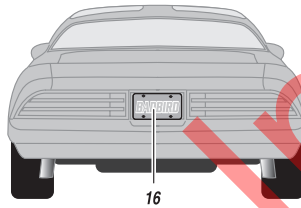
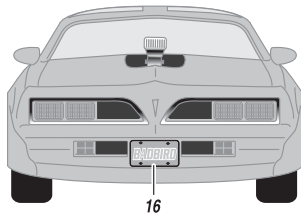
STREET VERSION

Note: for all 3 versions. When using the front license plate, do not dip in water. Cut the decal out and use white glue to attach to front bumper.
 (*) Repeat for other side



DRAG VERSION

(*) Repeat for other side



STOCK VERSION

(*) Repeat for other side

