



KIT 2345

85234500200

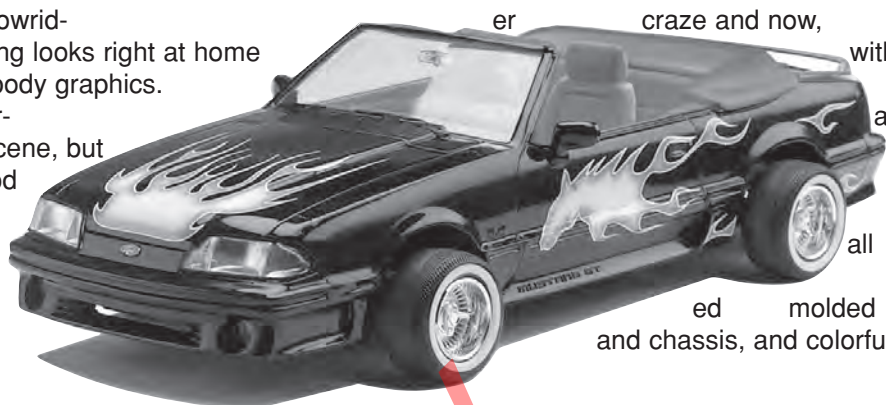
# Mustang Convertible Lowrider

Ever since its inception in 1964, the Mustang has been America's "fun" car. The kind of car an owner can look at and say "Ok, what can I do with this baby?". As a result, the Mustang has become a very personal car and it doesn't hurt that it's also very adaptable to current trends.

Of course, the most current trend is the lowrider craze and now, the custom crowd has discovered that the Mustang looks right at home with a set of lowrider wheels and some wild, colorful body graphics.

The Mustang has been redesigned several times since the little pony trotted on the 1960's scene, but no matter what body style, it always looks as good as a convertible. Build your lowrider with the top up or down, paint it any color you want, but by means, have fun with it!

Your Revell kit includes quality inject-plastic parts with custom wheels, detailed engine and chassis, and colorful



\* REPEAT SEVERAL TIMES  
\* A REPETER PLUSIEURS FOIS



\* OPTIONAL PARTS  
\* PIECES EN OPTION



\* DECAL  
\* DECAL COMANIE



\* ALTERNATIVE ASSEMBLY  
\* ENSEMBLAGE ALTERNATIVE



\* CEMENT TOGETHER  
\* A COLLER



\* REMOVE AND THROW AWAY  
\* A RETIRER ET JETER



\* DO NOT CEMENT  
\* NE PAS COLLER

### READ THIS BEFORE YOU BEGIN

- \* Study the assembly drawings.
- \* Each plastic part is identified by a number.
- \* In the assembly drawings, some parts will be marked by a star (★) to indicate chrome plated plastic.
- \* For better paint and decal adhesion, wash the plastic parts in a mild detergent solution. Rinse and let air dry.
- \* Check the fit of each piece before cementing in place.
- \* Use only cement for polystyrene plastic.
- \* Scrape plating and paint from areas to be cemented.
- \* Allow paint to dry thoroughly before handling parts.
- \* Any unused parts may be discarded.

### DECAL APPLICATION INSTRUCTIONS

1. Cut desired decal from sheet.
2. Dip decal in water for a few seconds.
3. Place wet decal on paper towel.
4. Wait until decal is movable on paper backing.
5. Place decal in position on model, face up and slide backing away.
6. Press out air bubbles with a soft damp cloth.
7. Milkiness that may appear is for better decal adhesion and will dry clear. Wipe away any excess adhesive.
8. Do not touch decal until fully dry.
9. Allow the decals 48 hours to dry before applying clear coat.

**NOTE:** Decals are not compatible with setting solutions or solvents.

### LIRE CE QUI SUIT AVANT DE COMMENCER

- \* Etudier les schémas de montage.
- \* Chaque pièce en plastique est identifiée par un numéro.
- \* Sur les schémas de montage, certaines pièces sont marquées d'une étoile (★) pour indiquer qu'elles sont en plastique chromé.
- \* Pour une meilleure prise de la peinture et des autocollants, laver les pièces en plastique avec une solution détergente peu concentrée. Les rincer et les laisser sécher à l'air.
- \* Vérifier que chaque pièce s'ajuste bien avant de la coller en place.
- \* N'utiliser que de la colle pour polystyrène.
- \* Gratter les parties à coller pour enlever le chrome et la peinture.
- \* Laisser la peinture bien sécher avant de manipuler les pièces.
- \* Toute pièce inutilisée peut être jetée.

### DIRECTIVES D'APPLICATION DES AUTOCOLLANTS

1. Découper l'autocollant désiré de la feuille.
2. Tremper l'autocollant dans de l'eau pendant quelques secondes.
3. Placer l'autocollant mouillé sur une serviette en papier.
4. Attendez que l'autocollant puisse être déplacé sur son support en papier.
5. Mettre l'autocollant en position sur le modèle face sur le dessus et faire glisser le support pour l'enlever.
6. Appuyer avec un chiffon doux humide pour éliminer les bulles d'air.
7. La substance laiteuse qui peut apparaître est destinée à améliorer l'adhésion de l'autocollant et devient incolore au séchage. Essuyer pour enlever tout excédent d'adhésif.
8. Ne pas toucher l'autocollant tant qu'il n'est pas bien sec.
9. Laisser l'autocollant sécher pendant 48 heures avant d'appliquer une couche transparente.

This paint guide is provided to complete this kit as shown on the box.

Ce guide de peinture est fourni pour reproduire le modèle réduit qui apparaît sur la boîte.

Aluminum	Aluminum
Flat Black	Noir mat
Flat Red	Rouge mat
Flat White	Blanc mat
Gloss Black	Noir lustré
Gloss Red	Rouge lustré
Gunmetal	Bronze
Satin Black	Noir satiné
Steel	Acier
Turn Signal Amber	Feu de virage ambre

If you have any questions or comments, call our hotline at: (800) 833-3570 or, please write to:

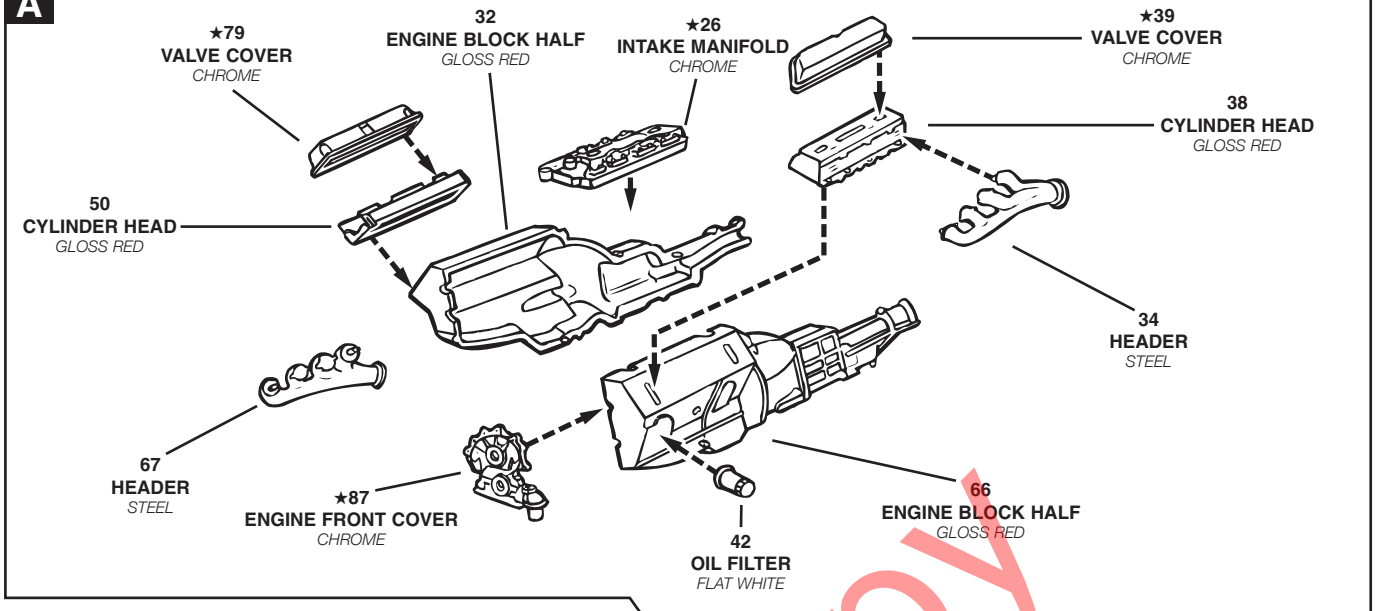
Revell-Monogram Consumer Service Department, 8601 Waukegan Road, Morton Grove, Illinois 60053  
Be sure to include the plan number (85234500200), part number, description, your return address and phone number.

Visit our website: [www.revell-monogram.com](http://www.revell-monogram.com)

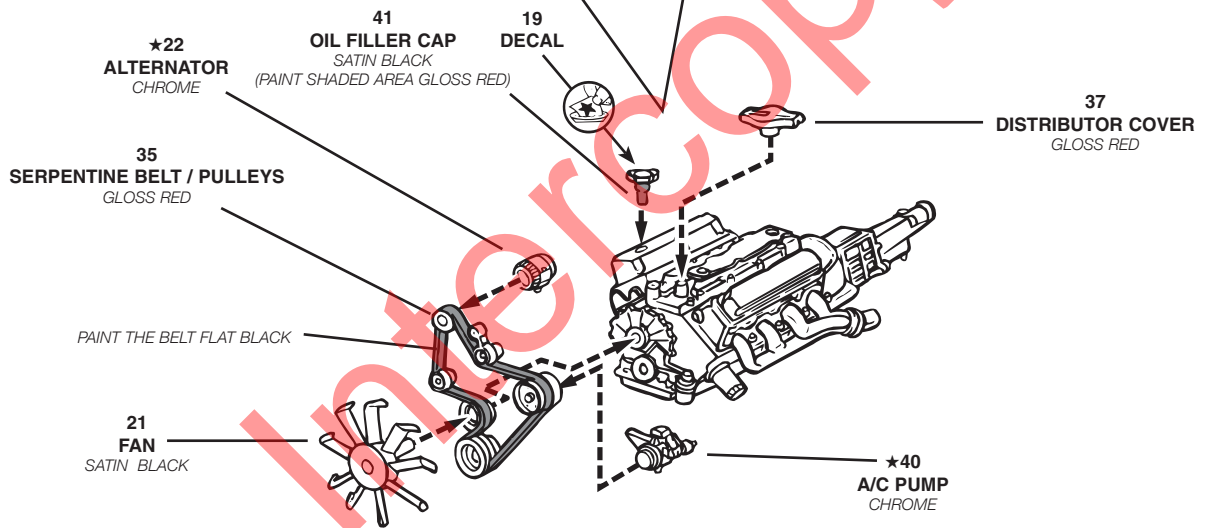
# 1

# ENGINE ASSEMBLY

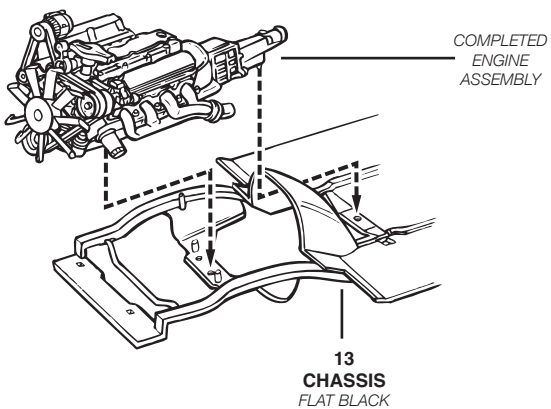
### A



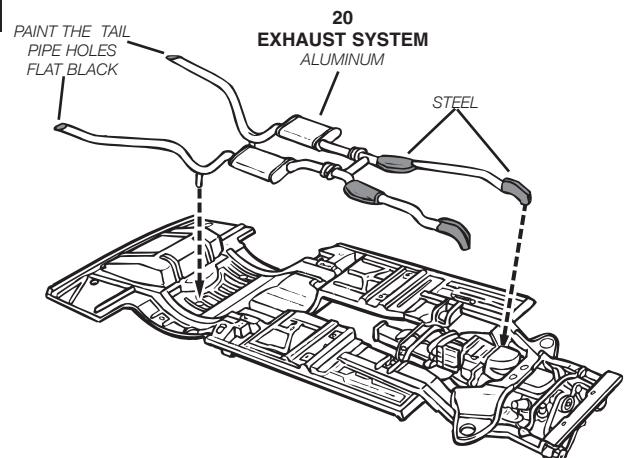
### B



### C

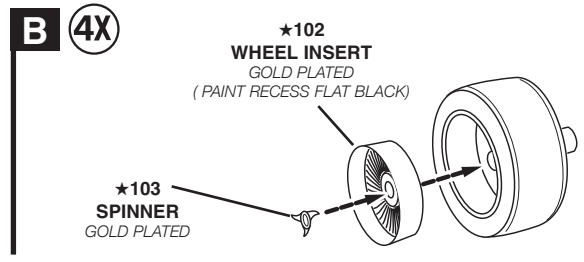
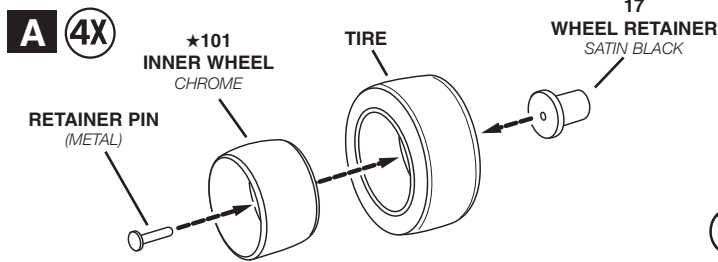


### D



# 2

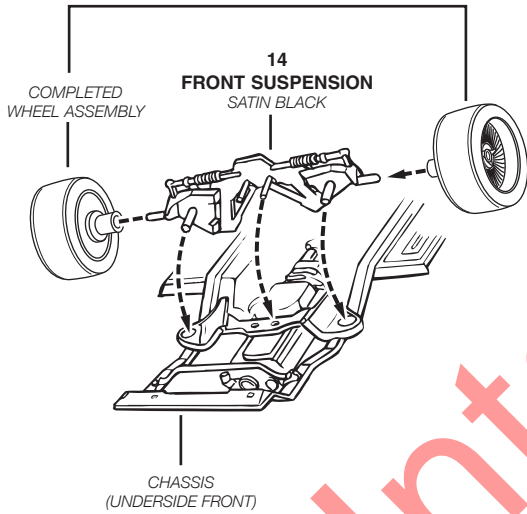
# WHEEL & TIRE ASSEMBLY



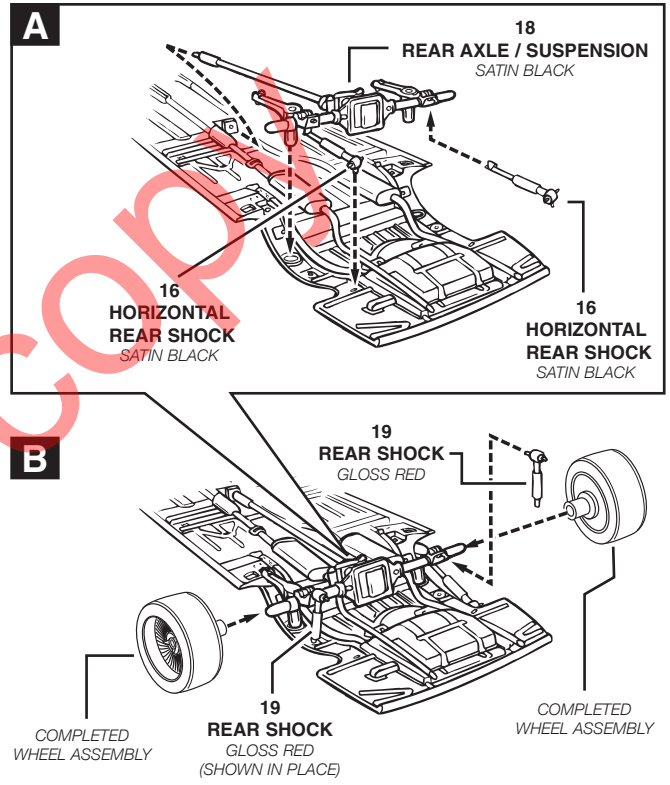
# 3

# SUSPENSION ASSEMBLY

## FRONT

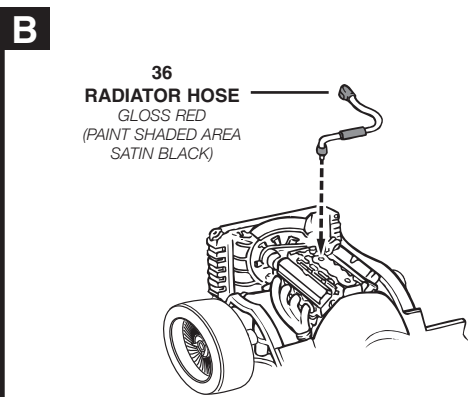
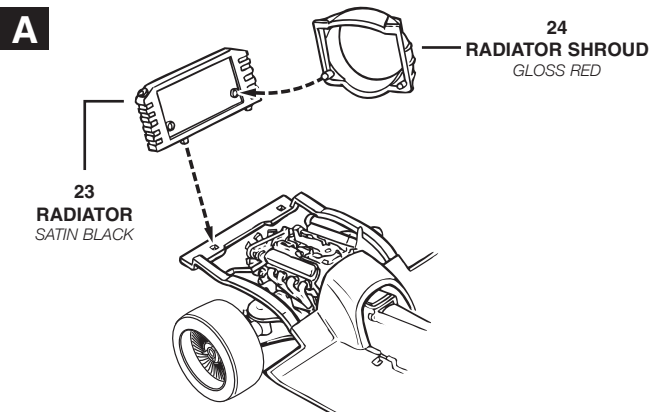


## REAR



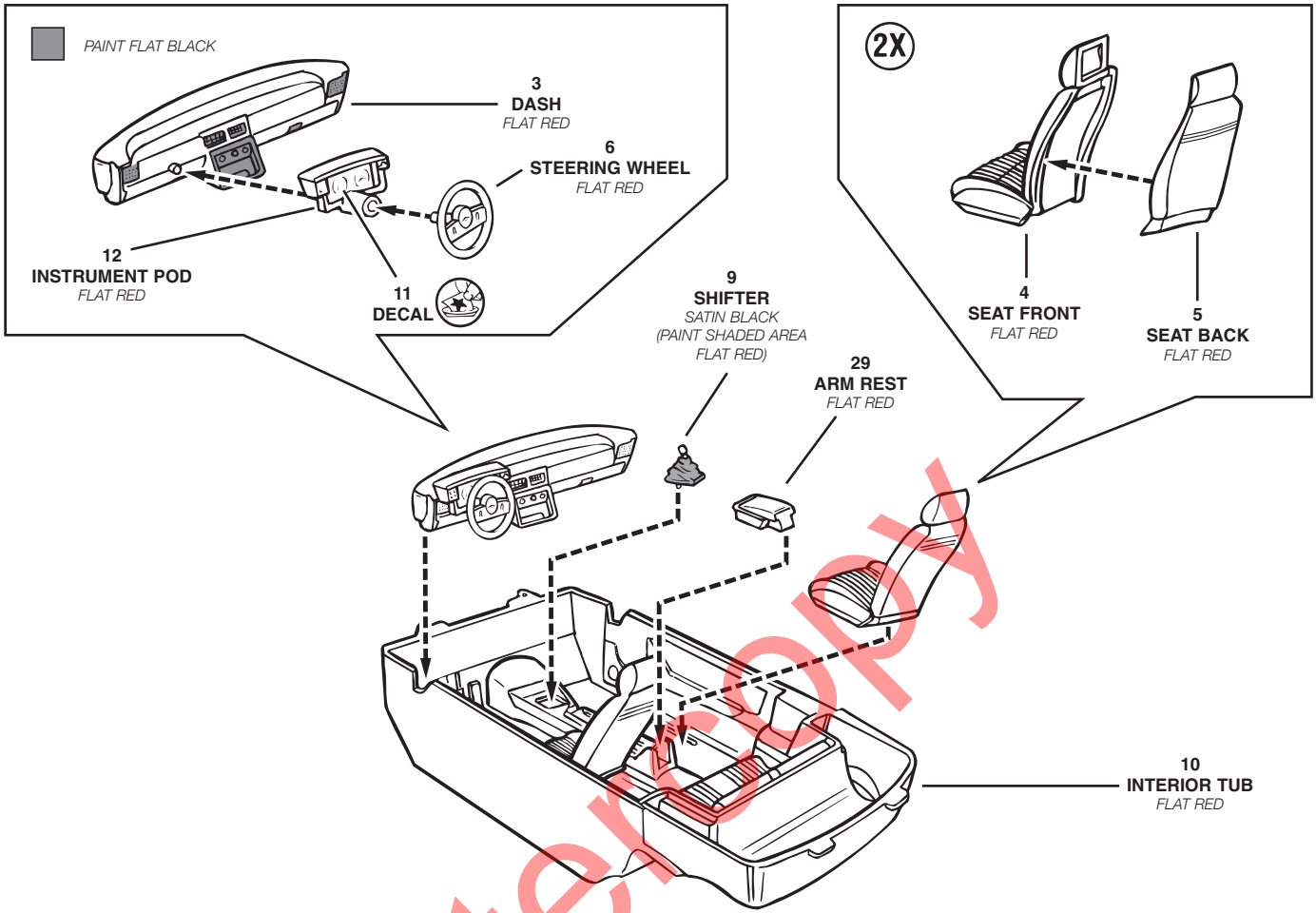
# 4

# RADIATOR ASSEMBLY



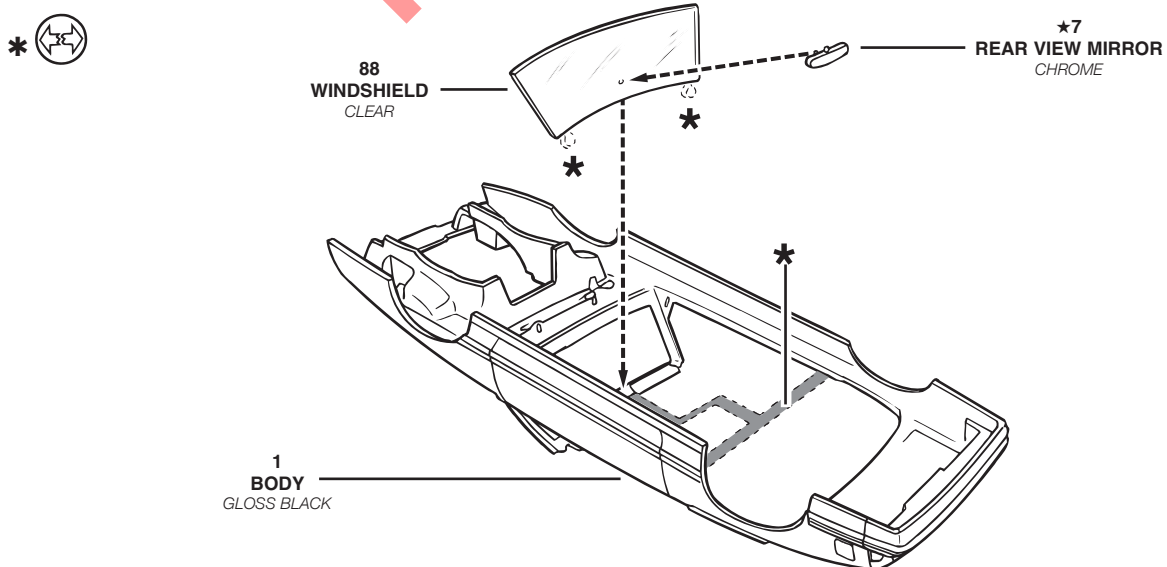
# 5

# INTERIOR ASSEMBLY



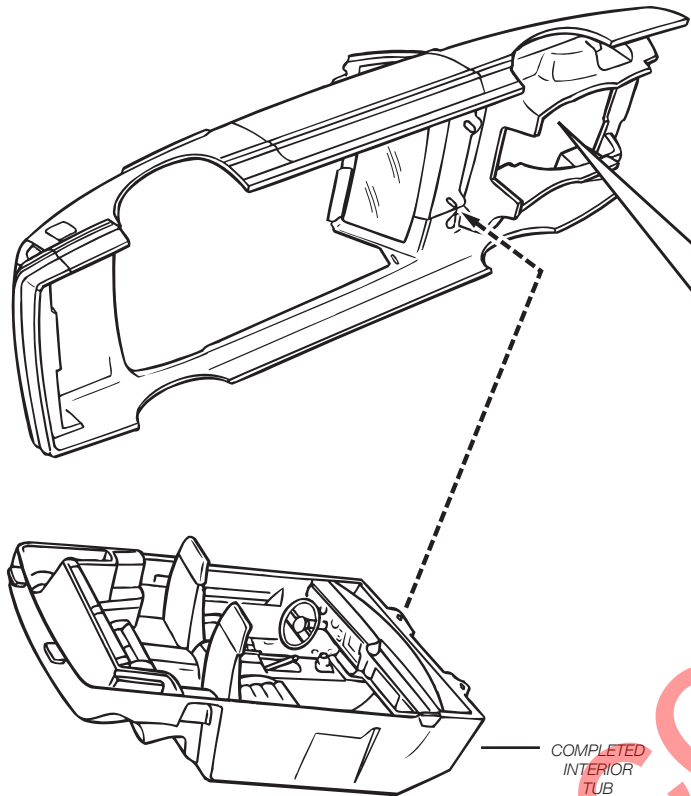
# 6

# WINDSHIELD ASSEMBLY



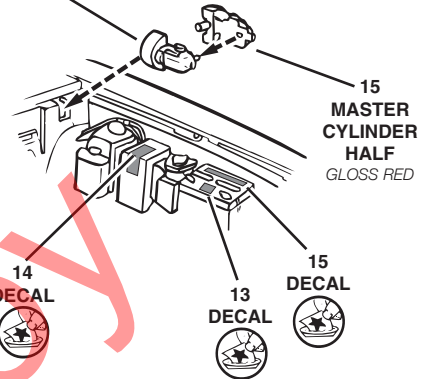
# 7

# BODY / INTERIOR ASSEMBLY



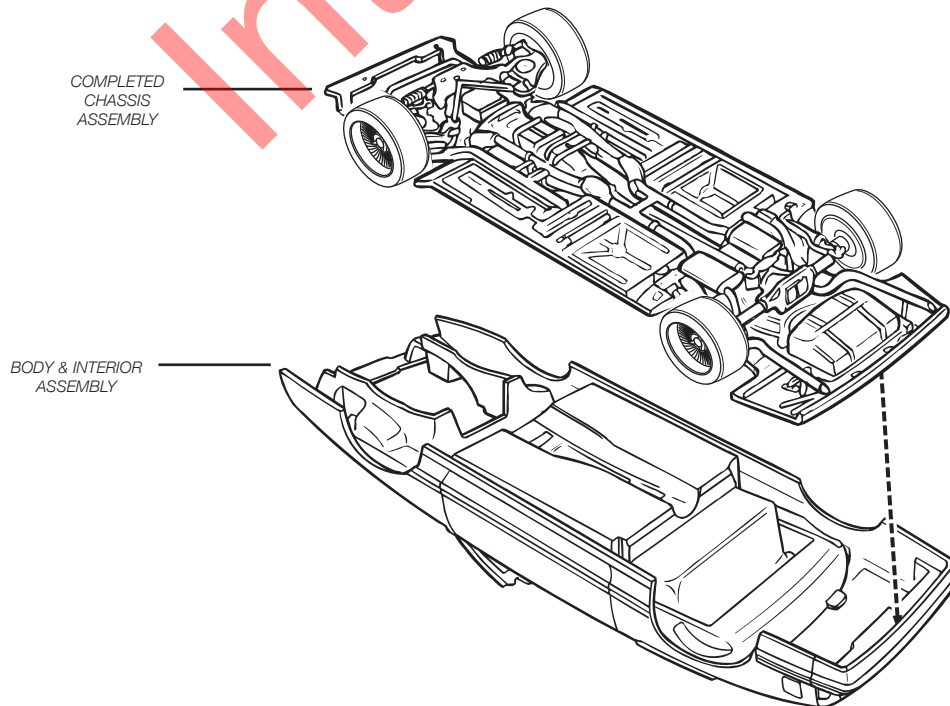
## TOP SIDE SHOWN

65  
MASTER CYLINDER HALF  
GLOSS RED  
(PAINT THE CAP SATIN BLACK)



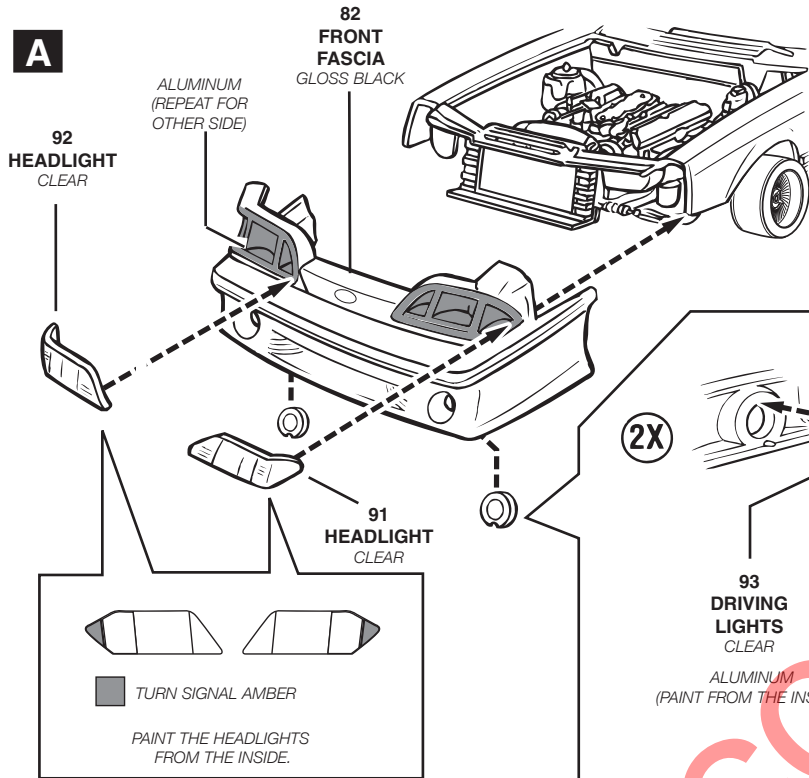
# 8

# BODY / CHASSIS ASSEMBLY

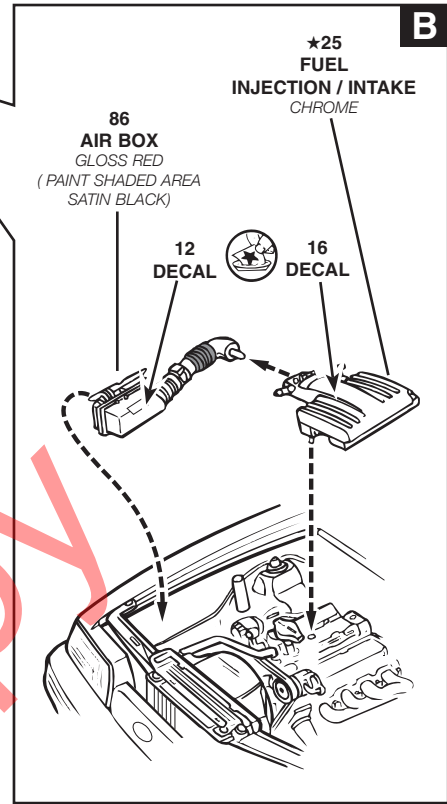




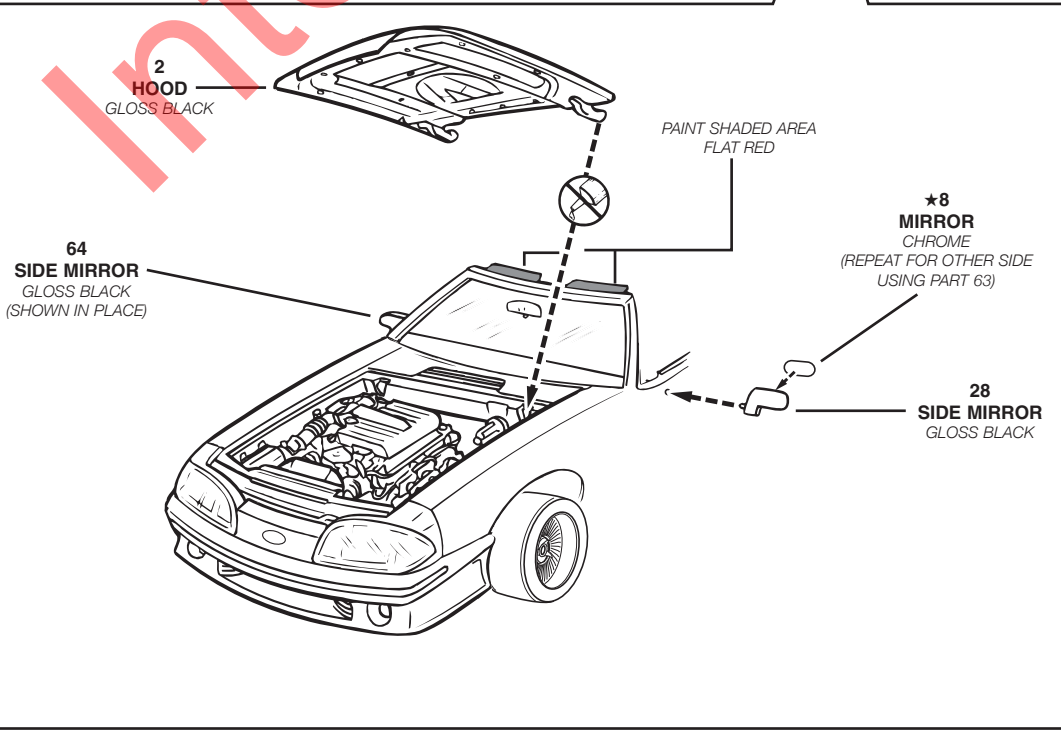
**A**



**B**



**C**



# 10

# REAR END ASSEMBLY



98 LUGGAGE CENTER STRIP  
GLOSS RED

97 LUGGAGE RACK  
GLOSS RED

99 LUGGAGE STRIP  
GLOSS RED \*

96 BRAKE LIGHT HOUSING  
GLOSS RED

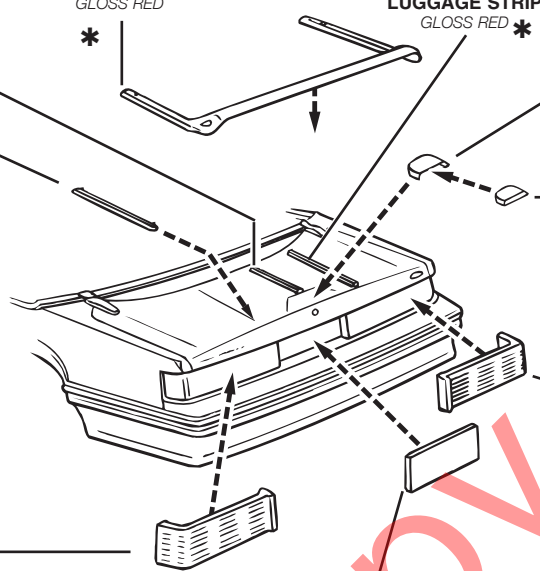
95 BRAKE LIGHT  
TRANSPARENT RED

**IMPORTANT NOTE:**  
WHEN USING THE LUGGAGE RACK &  
TRUNK DECAL # 4, APPLY DECAL FIRST.  
  
(SEE STEP 12 DECAL PLACEMENT FOR  
DECAL REFERENCE)

89 TAILLIGHT LENS  
TRANSPARENT RED  
(PAINT RAISED AREAS  
GLOSS BLACK & BACK SIDE  
ALUMINUM)

94 TAILLIGHT LENS  
TRANSPARENT RED  
(PAINT RAISED AREAS  
GLOSS BLACK & BACK SIDE  
ALUMINUM)

\*11 LICENSE PLATE  
CHROME



# 11

# FINAL ASSEMBLY

90 REAR WINDOW  
CLEAR

84 CONVERTIBLE TOP  
FLAT RED

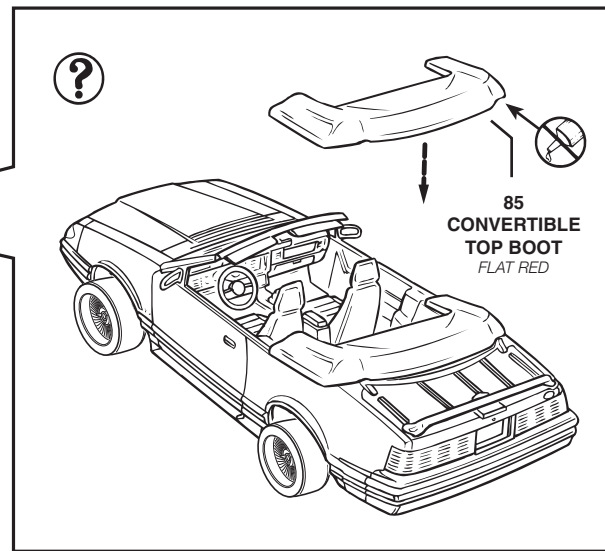
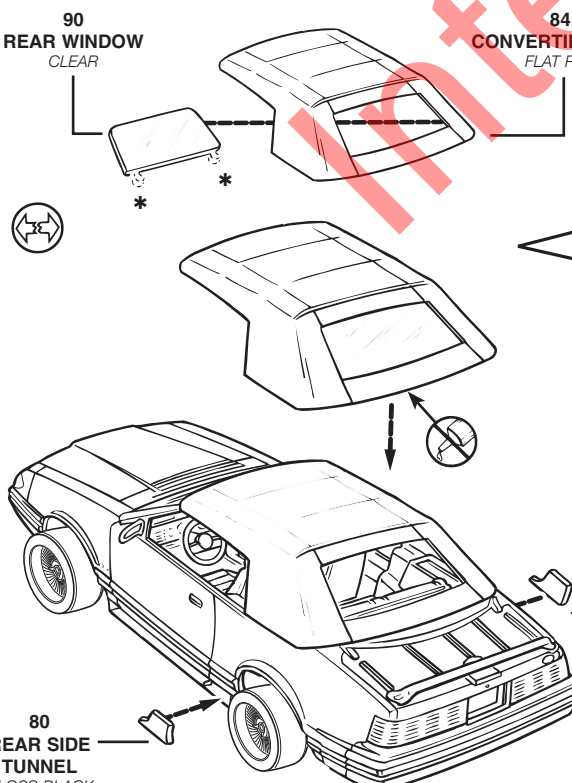


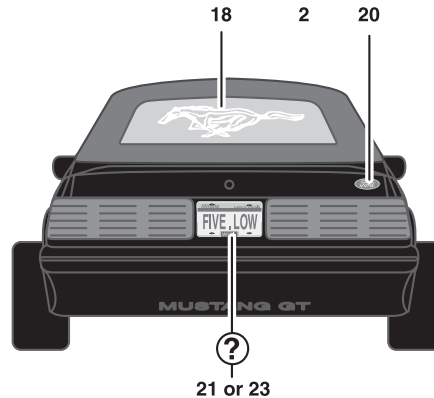
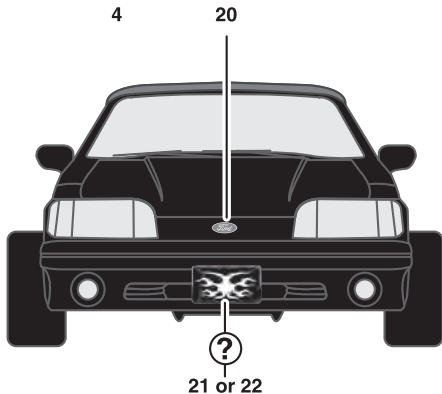
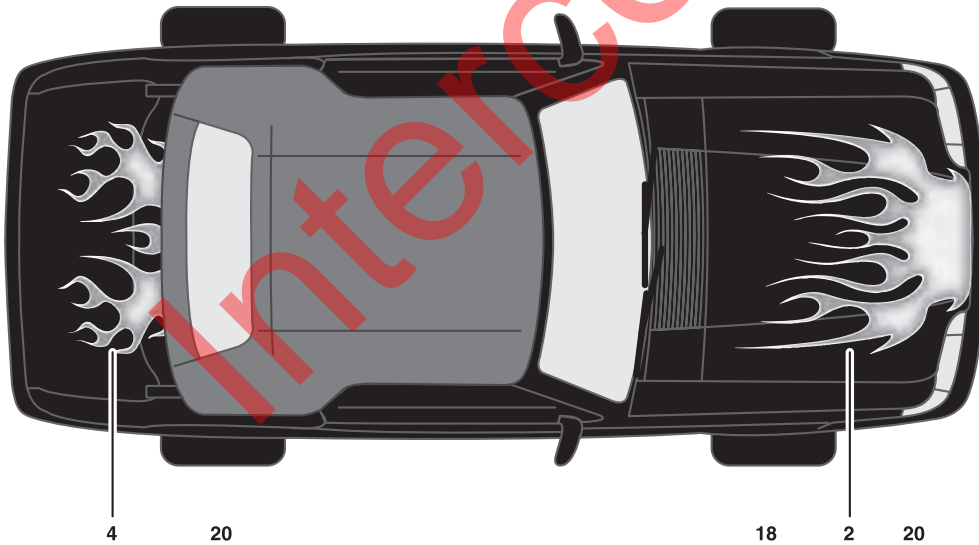
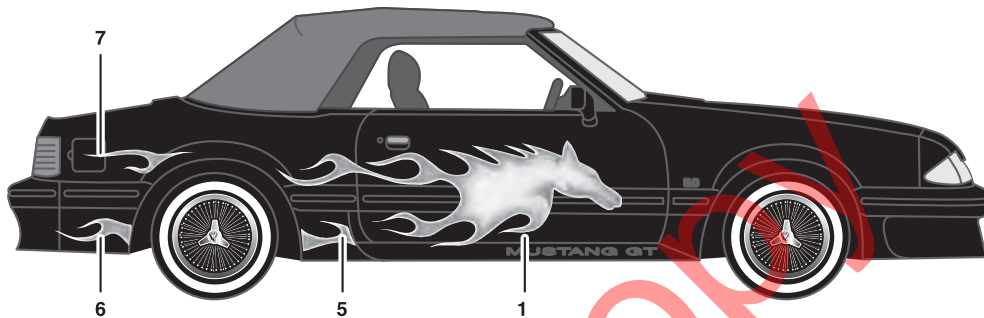
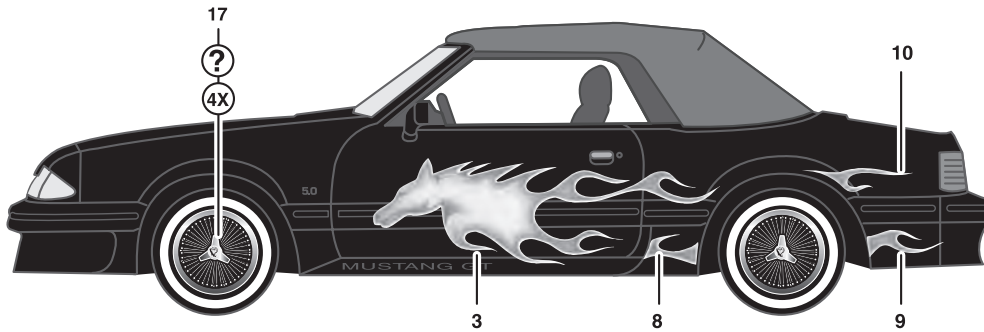
85 CONVERTIBLE TOP BOOT  
FLAT RED



80 REAR SIDE TUNNEL  
GLOSS BLACK

69 REAR SIDE TUNNEL  
GLOSS BLACK





(Front plate is optional. Do not dip this decal in water, carefully cut decal out and glue to model with white glue)