



KIT2389

85238900200

Honda® Civic® Hatchback Tuner Series 2'n1

In the earliest days of American hot-rodding, just after WWII, car enthusiasts would take an everyday grocery-getter and modify it for greater speed, handling and just to make it more fun to drive. Typical tricks of the day were to change the appearance and performance by lowering the suspension, changing wheels, adding custom paint and graphics, and perhaps bolting on some high performance engine pieces.

Fast forward a half century, and while it seems much has changed on the hot-rodding scene, it really hasn't. Today's enthusiasts are taking advantage of the abundant numbers of small imported cars to create their own vision of automotive fun.

No longer an emerging trend, modified small 4 and 6 cylinder cars, commonly known as "tuners", are found on streets and highways everywhere. By far the most popular subjects for these transformations are the familiar products of American Honda Motor Co. Thanks to their strong, high-revving VTEC engines and good handling Honda Civics in particular have been found to be ideal tuner candidates. Dozens of aftermarket companies now manufacture and market hundreds of parts to increase both the "show" and "go" of your Civic.

Revell has captured not only the clean good looks of the Civic coupe itself but also many of the aforementioned aftermarket parts in 1:25 scale for your building enjoyment. Take a moment now and look over this instruction sheet and the parts of your kit as you have several choices to make. You can build your Honda like it just rolled off the showroom floor. Or you have optional custom "tuner" parts to substitute-different front and rear bumper fascias, special tail lamps, three complete sets of wheels, two rear spoilers and more.



*** REPEAT SEVERAL TIMES**
** A REPETER PLUSIEURS FOIS*



*** OPTIONAL PARTS**
** PIECES EN OPTION*



*** DECAL**
** DECAL COMANIE*



*** ALTERNATIVE ASSEMBLY**
** ENSEMBLAGE ALTERNATIVE*



*** CEMENT TOGETHER**
** A COLLER*



*** REMOVE AND THROW AWAY**
** A RETIRER ET JETER*



*** DO NOT CEMENT**
** NE PAS COLLER*

READ THIS BEFORE YOU BEGIN

- * Study the assembly drawings.
- * Each plastic part is identified by a number.
- * In the assembly drawings, some parts will be marked by a star (★) to indicate chrome plated plastic.
- * For better paint and decal adhesion, wash the plastic parts in a mild detergent solution. Rinse and let air dry.
- * Check the fit of each piece before cementing in place.
- * Use only cement for polystyrene plastic.
- * Scrape plating and paint from areas to be cemented.
- * Allow paint to dry thoroughly before handling parts.
- * Any unused parts may be discarded.

DECAL APPLICATION INSTRUCTIONS

1. Cut desired decal from sheet.
2. Dip decal in water for a few seconds.
3. Place wet decal on paper towel.
4. Wait until decal is movable on paper backing.
5. Place decal in position on model, face up and slide backing away.
6. Press out air bubbles with a soft damp cloth.
7. Milkiness that may appear is for better decal adhesion and will dry clear. Wipe away any excess adhesive.
8. Do not touch decal until fully dry.
9. Allow the decals 48 hours to dry before applying clear coat.

NOTE: Decals are compatible with setting solutions or solvents.

LIRE CE QUI SUIT AVANT DE COMMENCER

- * Etudier les schémas de montage.
- * Chaque pièce en plastique est identifiée par un numéro.
- * Sur les schémas de montage, certaines pièces sont marquées d'une étoile (★) pour indiquer qu'elles sont en plastique chromé.
- * Pour une meilleure prise de la peinture et des autocollants, laver les pièces en plastique avec une solution détergente peu concentrée. Les rincer et les laisser sécher à l'air.
- * Vérifier que chaque pièce s'ajuste bien avant de la coller en place.
- * N'utiliser que de la colle pour polystyrène.
- * Gratter les parties à coller pour enlever le chrome et la peinture.
- * Laisser la peinture bien sécher avant de manipuler les pièces.
- * Toute pièce inutilisée peut être jetée.

DIRECTIVES D'APPLICATION DES AUTOCOLLANTS

1. Découper l'autocollant désiré de la feuille.
2. Tremper l'autocollant dans de l'eau pendant quelques secondes.
3. Placer l'autocollant mouillé sur une serviette en papier.
4. Attendez que l'autocollant puisse être déplacé sur son support en papier.
5. Mettre l'autocollant en position sur le modèle face sur le dessus et faire glisser le support pour l'enlever.
6. Appuyer avec un chiffon doux humide pour éliminer les bulles d'air.
7. La substance laiteuse qui peut apparaître est destinée à améliorer l'adhésion de l'autocollant et devient incolore au séchage. Essuyer pour enlever tout excédent d'adhésif.
8. Ne pas toucher l'autocollant tant qu'il n'est pas bien sec.
9. Laisser l'autocollant sécher pendant 48 heures avant d'appliquer une couche transparente.

REMARQUE: Les autocollants sont compatibles avec les solutions de fixation ou les solvants.

This optional paint guide is provided if you choose to detail paint your model.

Ce guide de peinture vous sera fourni si vous choisissez de peindre votre modèle en détail.

Aluminum	<i>Aluminum</i>
Flat Black	<i>Noir mat</i>
Gloss Red	<i>Rouge lustré</i>
Light Blue	<i>Bleu clair</i>
Metallic Blue	<i>Bleu métallisé</i>
Metallic Black	<i>Noir métallisé</i>
Metallic Orange	<i>Orange métallisé</i>
Semi Gloss Black	<i>Noir satiné</i>
Satin White	<i>Blanc satiné</i>
Transparent Red	<i>Rouge transparent</i>
Turn Signal Amber	<i>Feu de virage ambre</i>

If you have any questions or comments, call our hotline at: (800) 833-3570 or, please write to:

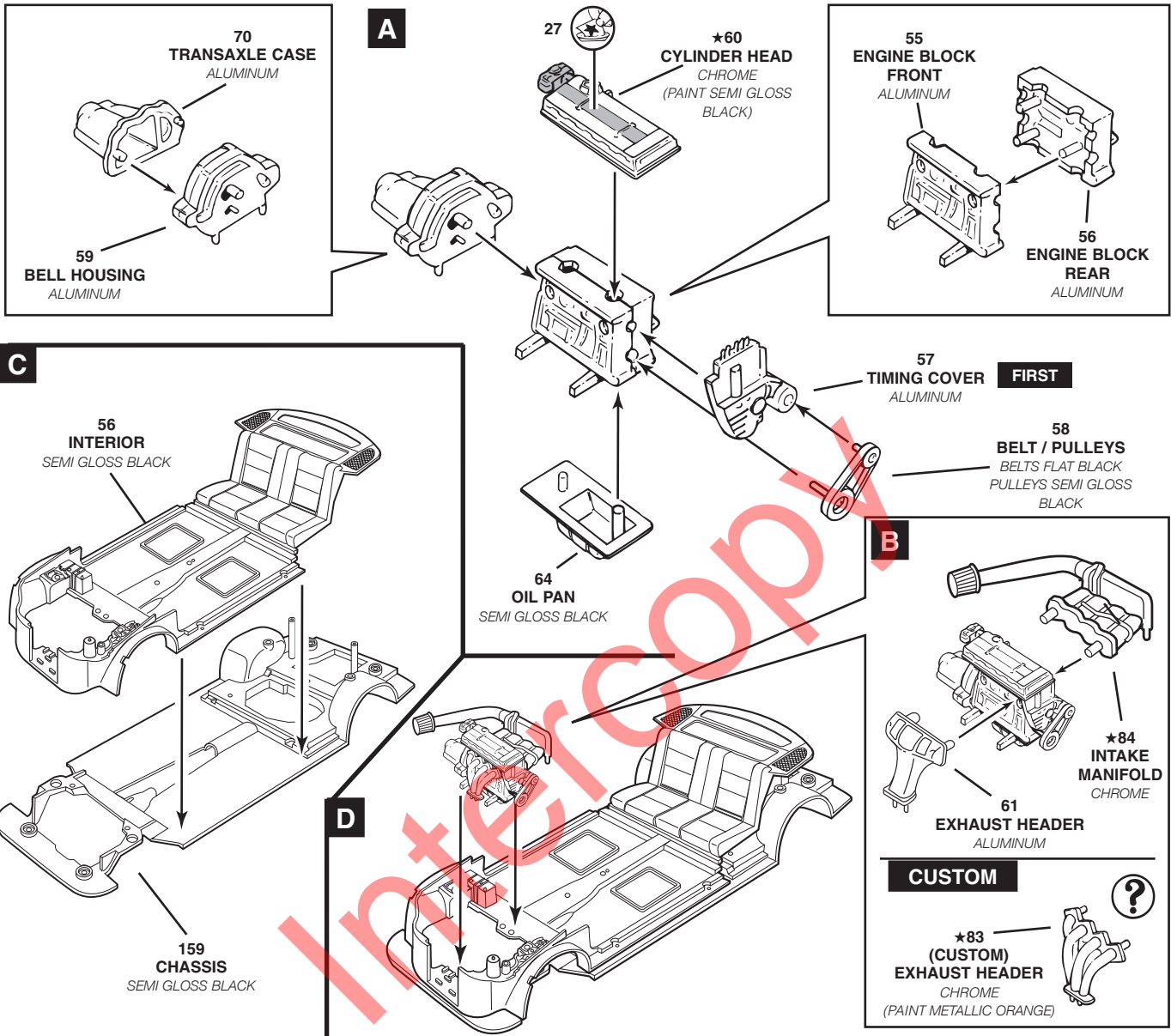
Revell-Monogram Consumer Service Department, 725 Landwehr, Northbrook, Illinois 60062

Be sure to include the plan number (85238900200), part number, description, your return address and phone number.

Visit our website: www.revell-monogram.com

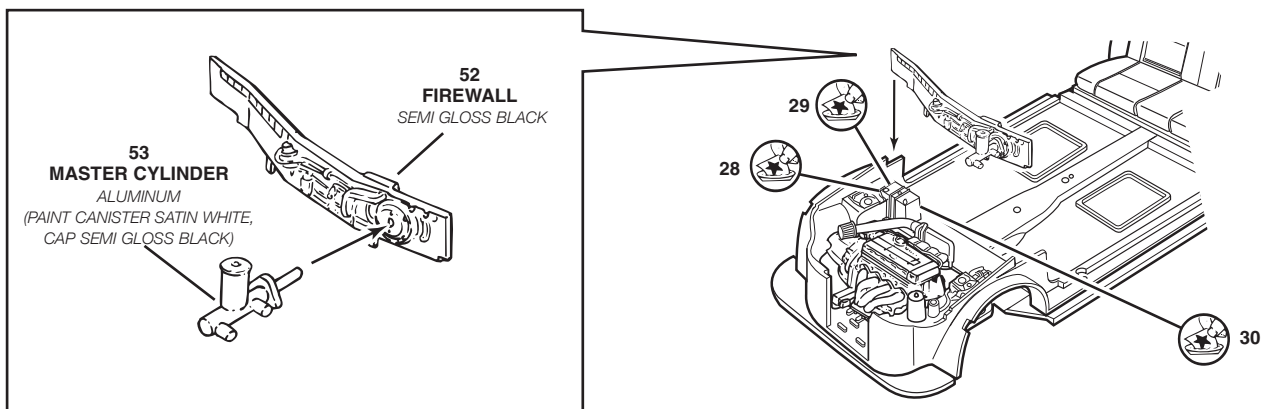
1

ENGINE ASSEMBLY



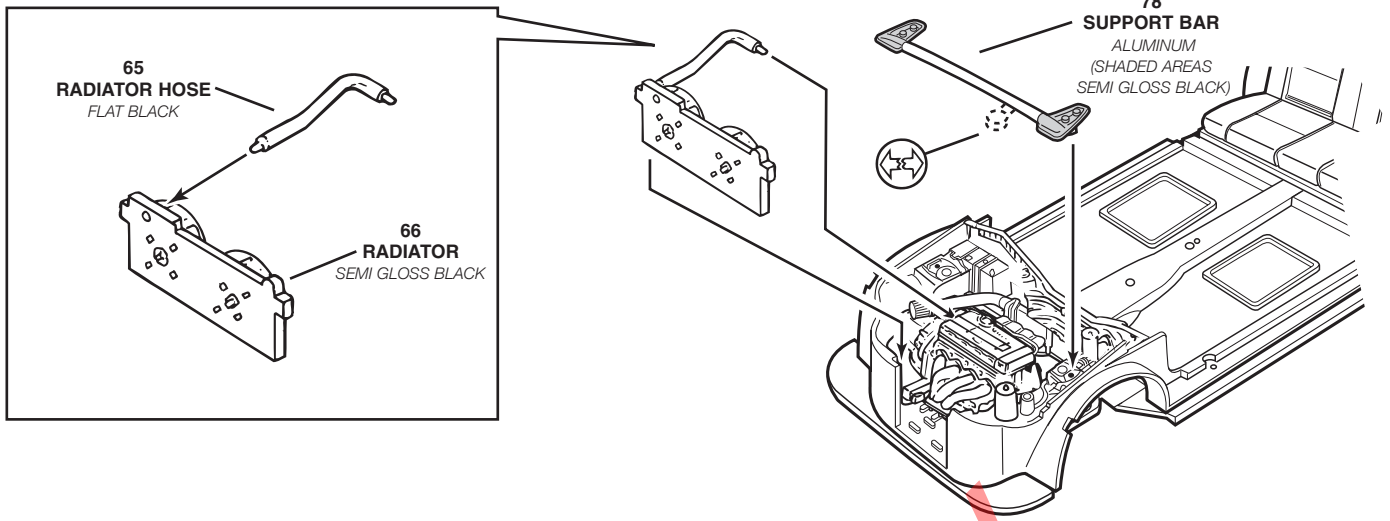
2

FIREWALL ASSEMBLY



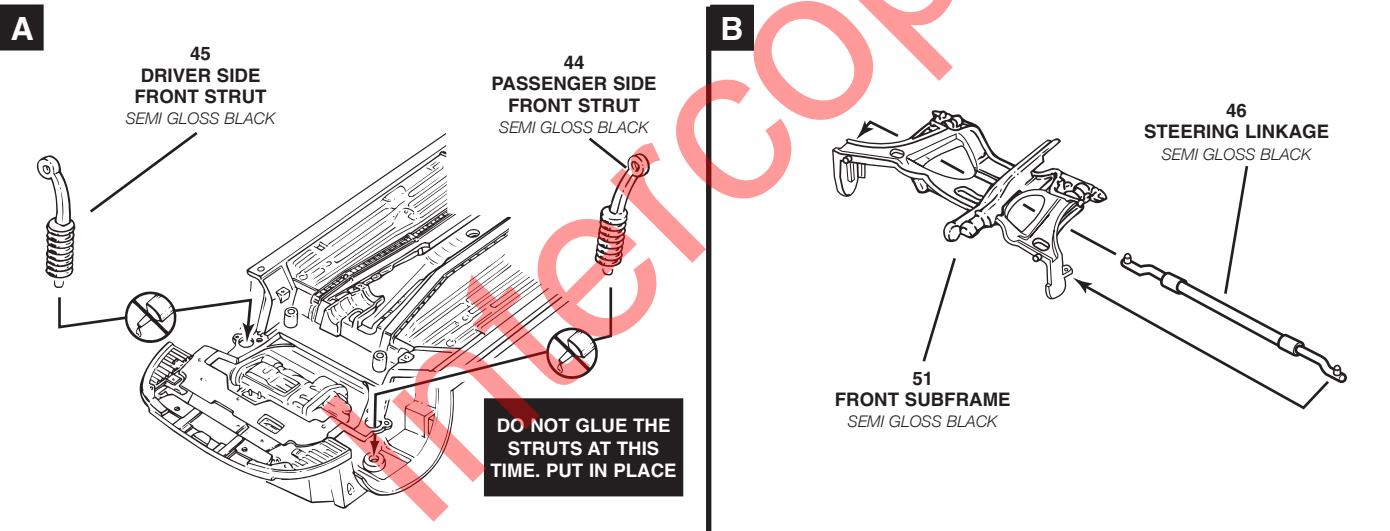
3

RADIATOR ASSEMBLY

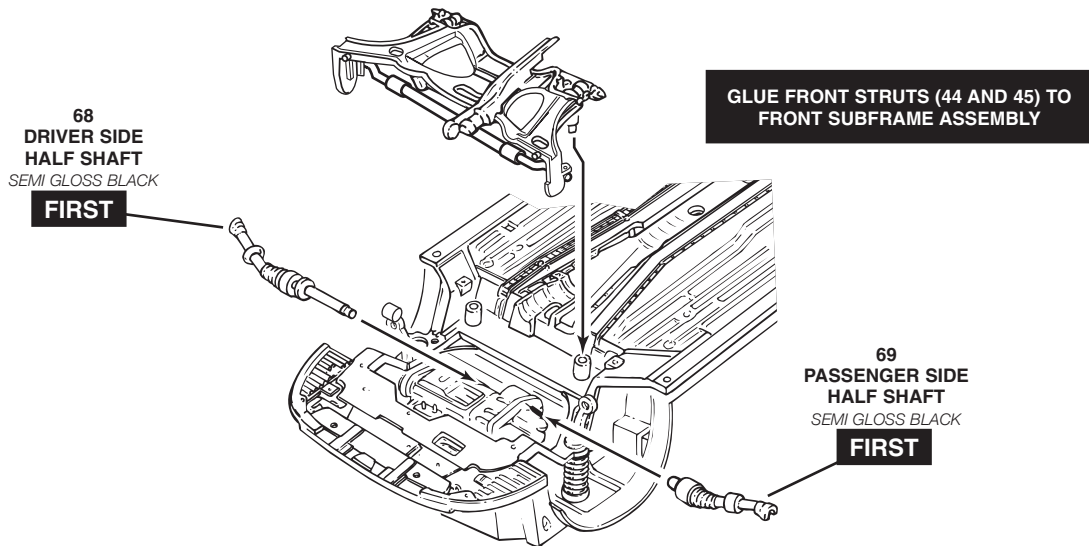


4

FRONT SUSPENSION ASSEMBLY

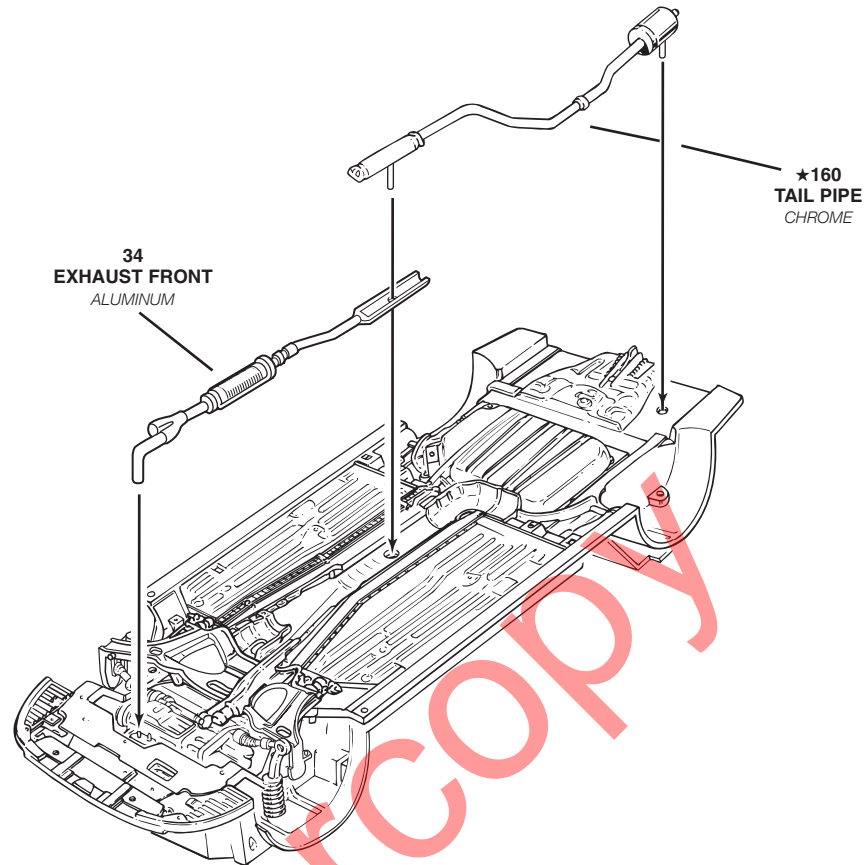


C



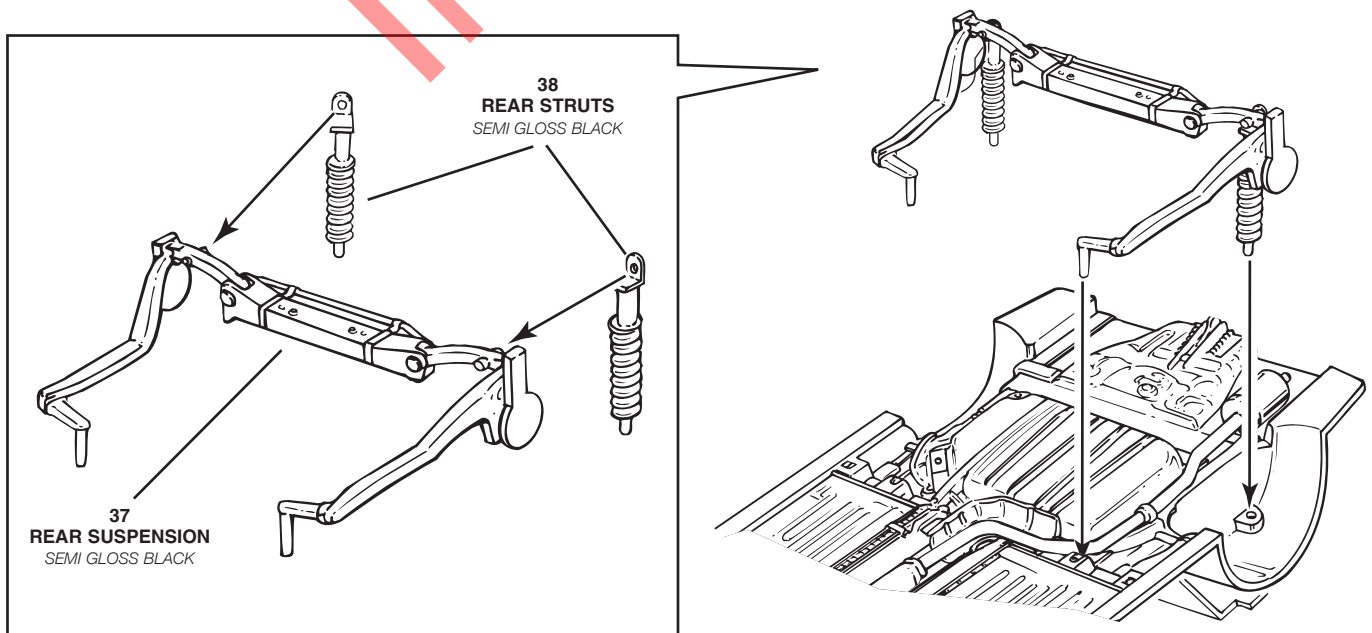
5

EXHAUST ASSEMBLY

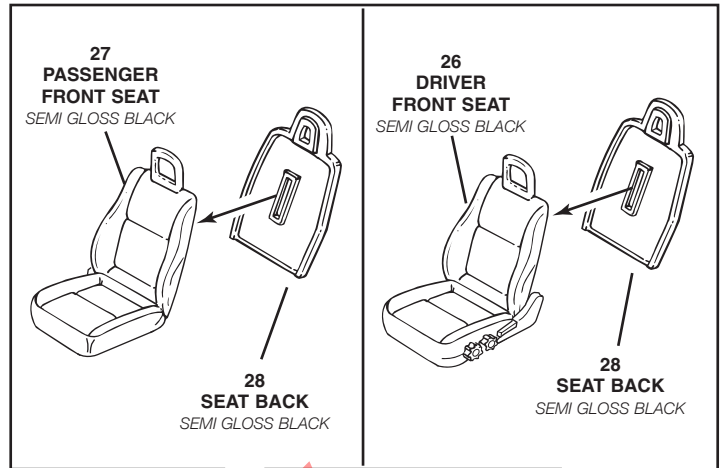
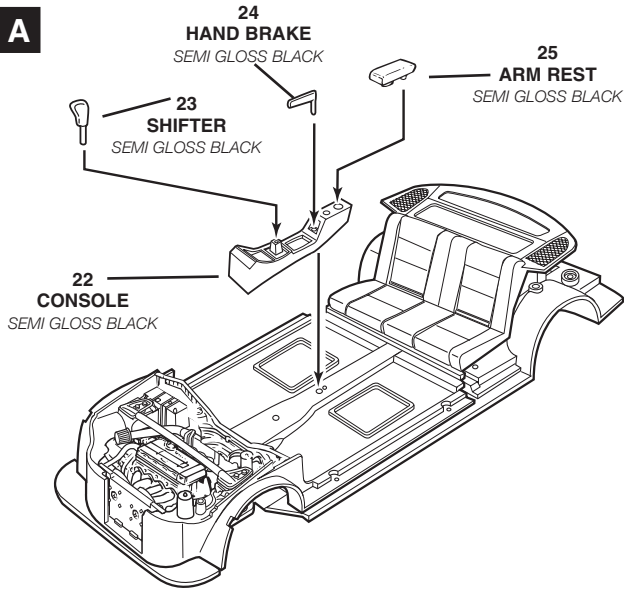


6

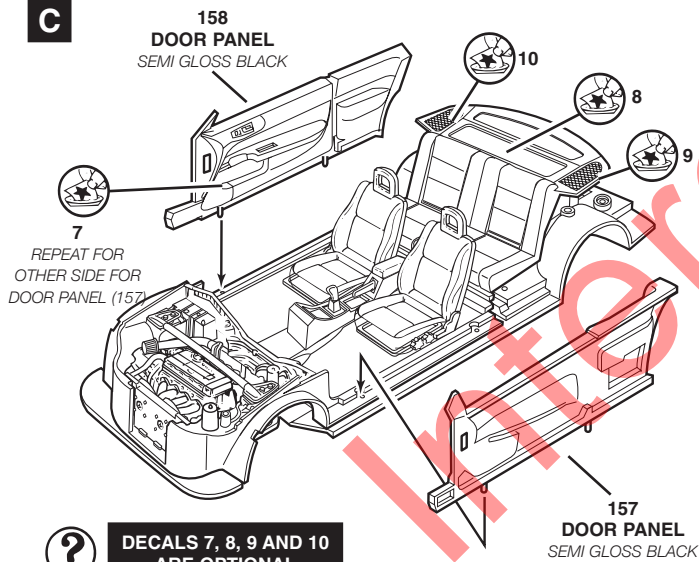
REAR SUSPENSION ASSEMBLY



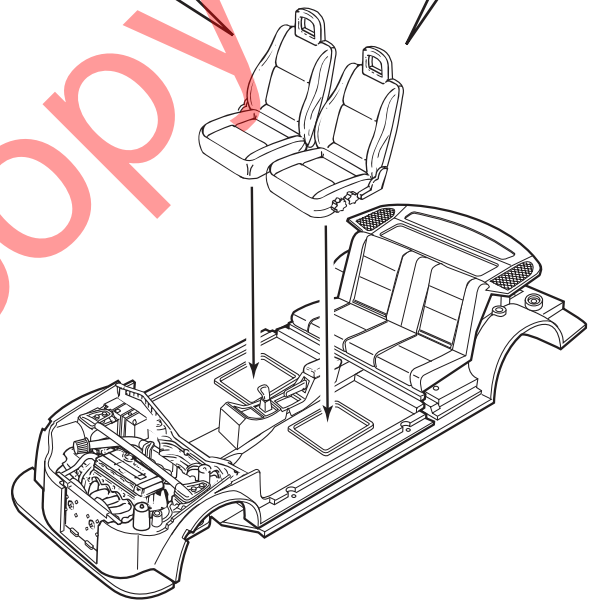
A



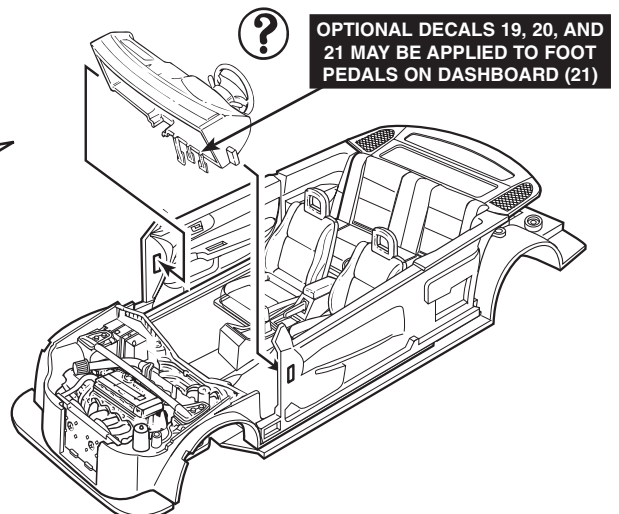
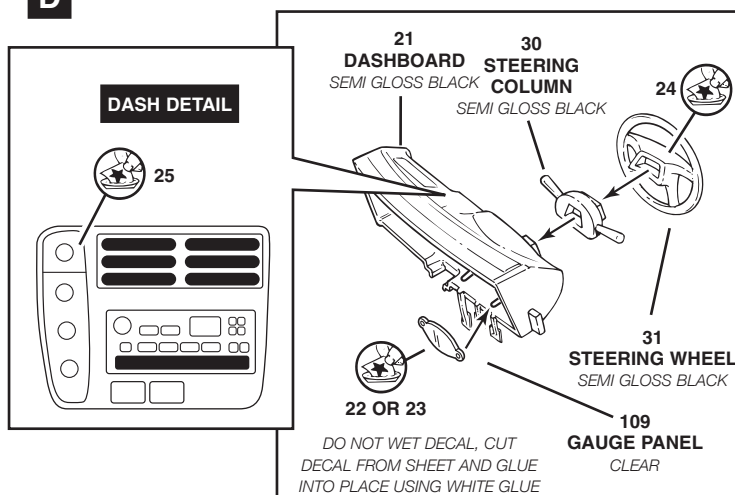
C

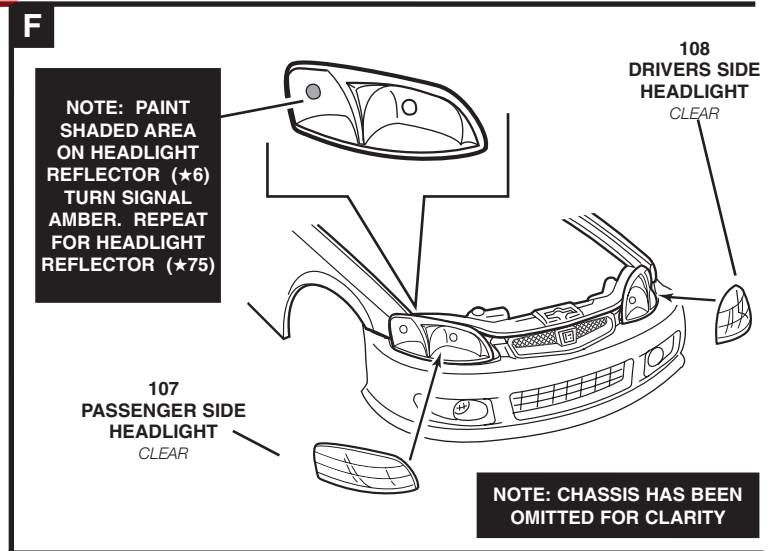
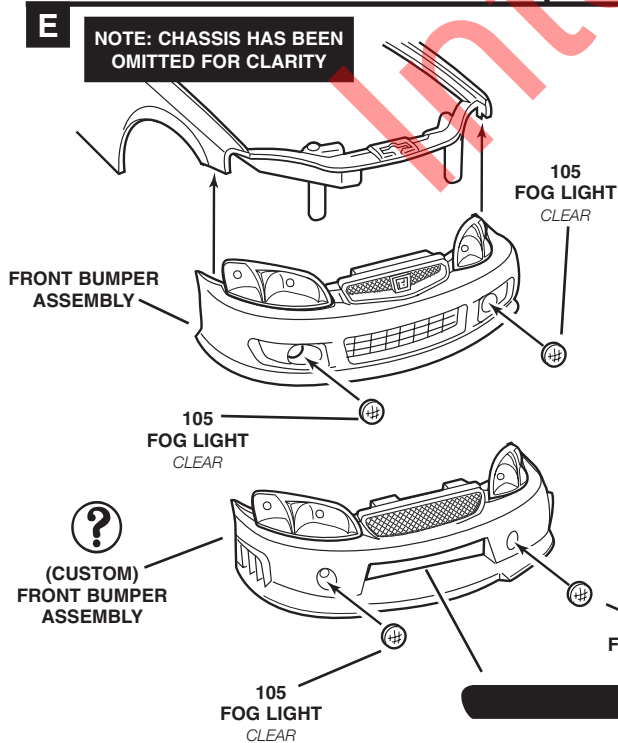
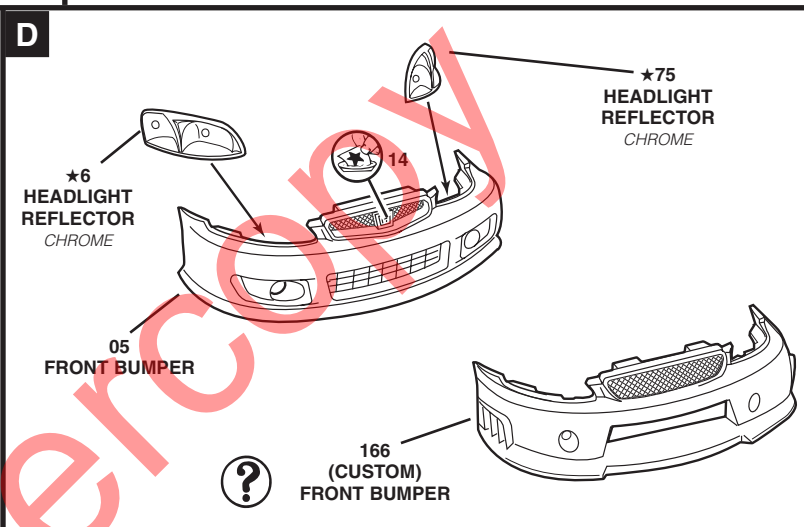
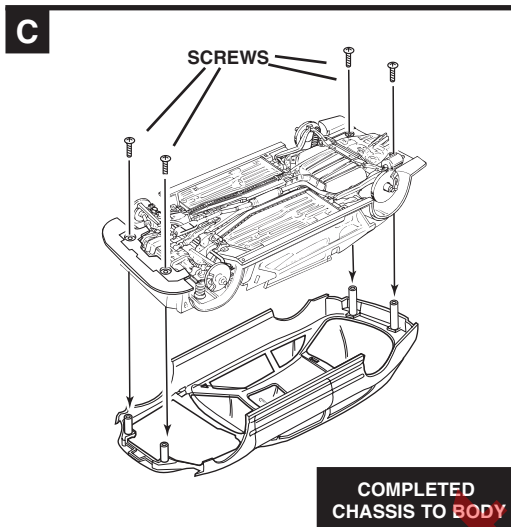
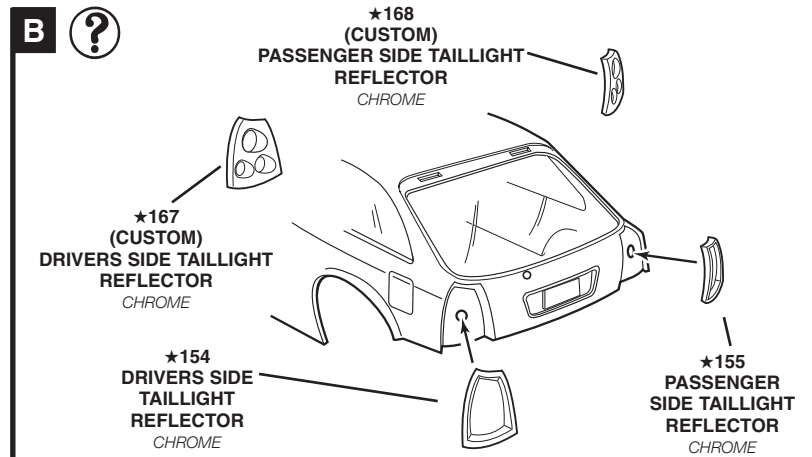
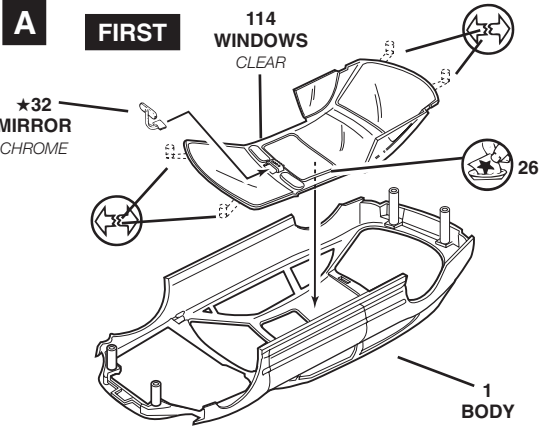


B

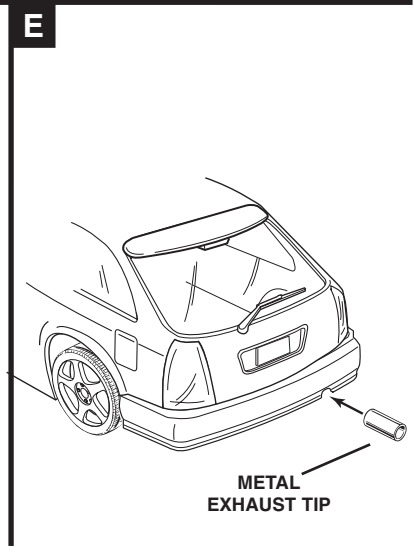
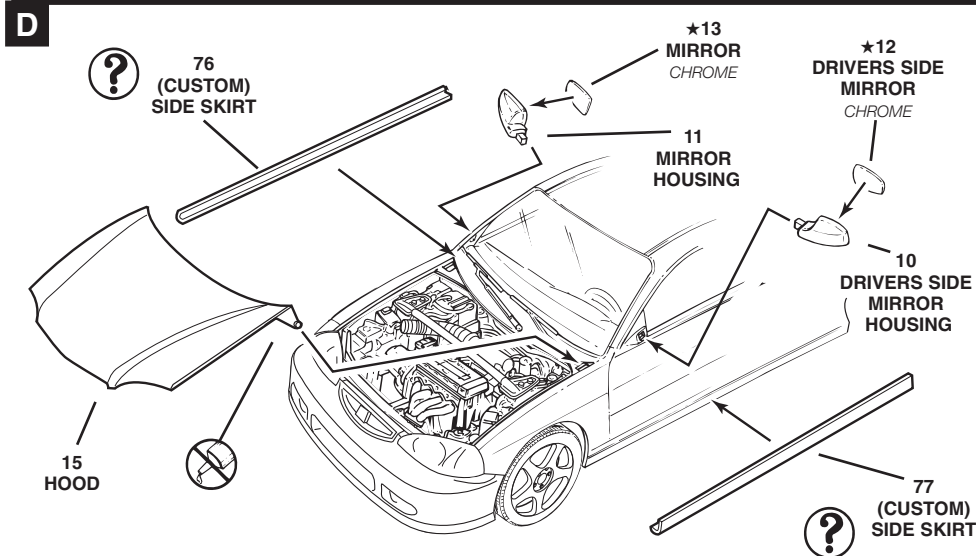
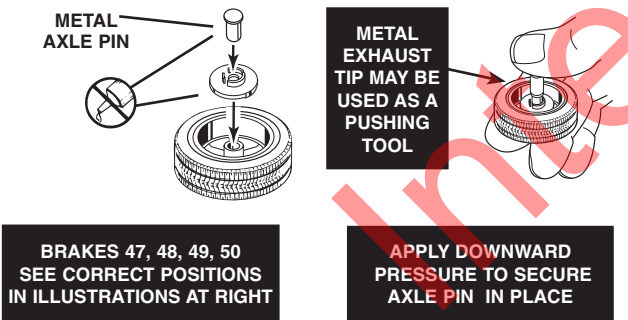
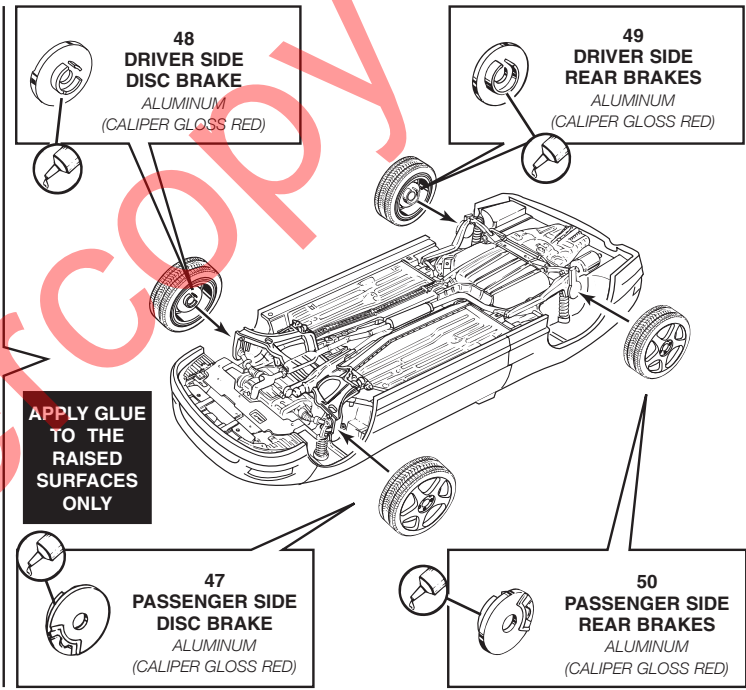
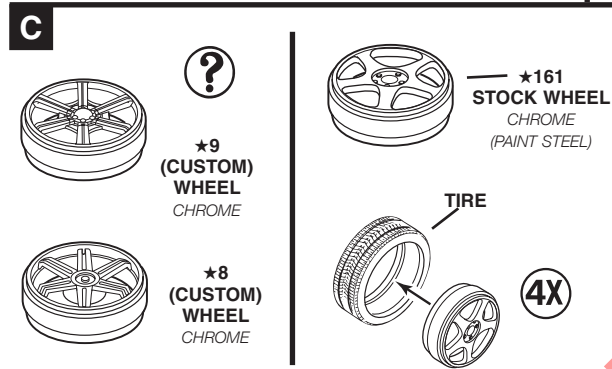
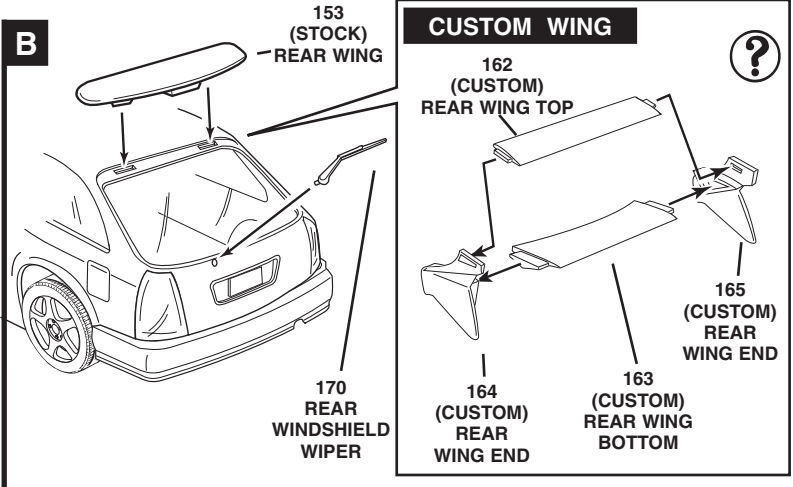
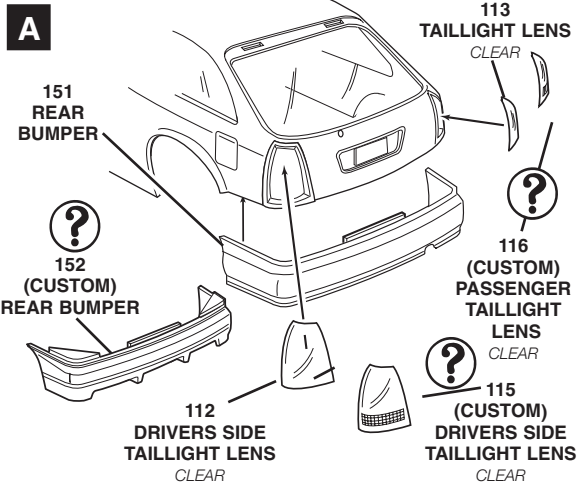


D

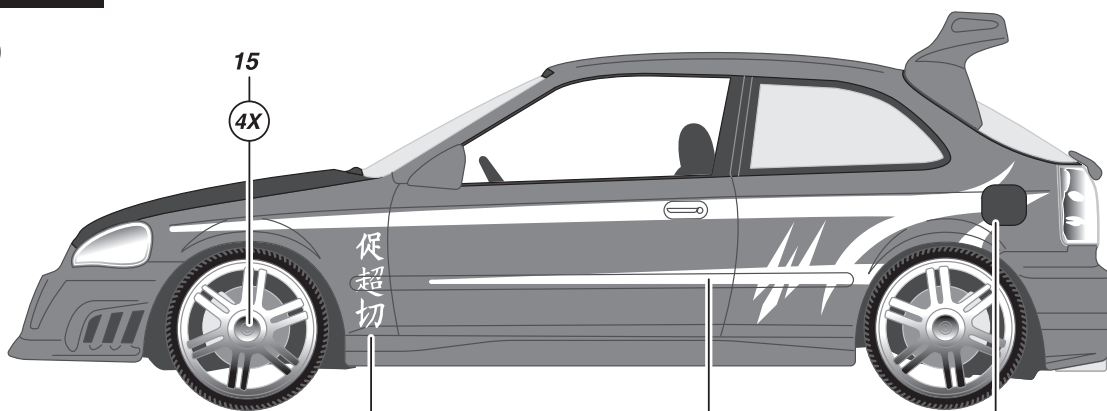




A TEMPLATE HAS BEEN PROVIDED FOR A SCREEN MESH FOR THE CUSTOM FRONT BUMPER (04). PLACE CUT MESH INTO BUMPER FROM THE INSIDE OF BUMPER, USE WHITE GLUE TO HOLD CUT SCREEN INTO CUSTOM FRONT BUMPER (04).



Tuner Version



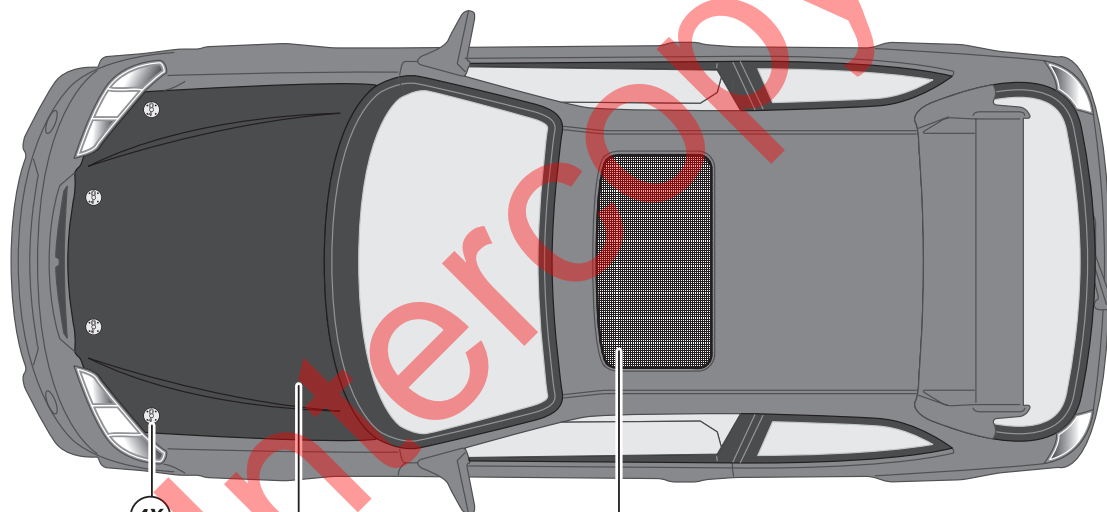
15
4X

促超切

5W or 5B
(Repeat for other side)

4A or 4B
(Repeat for other side
using decals 3A or 3B)

2
(Apply last)



4X
31

(Apply last)

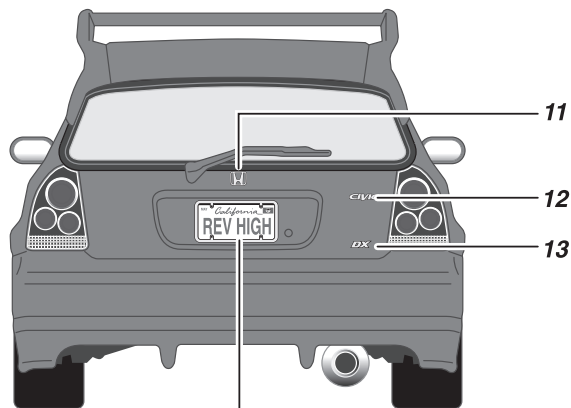
1

26

(Apply decal from the
inside, see step 8A)

14

(use on stock version
only, see step 8D)

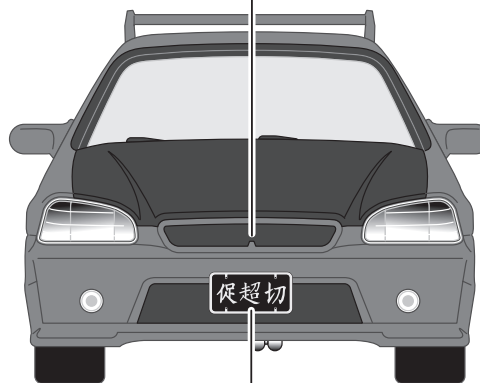


11

12

13

18 or 17



促超切

?

17 or 16

(Do not dip in water, carefully cut decal out
and attach it to the bumper using white glue)