



KIT 2572

85257200200

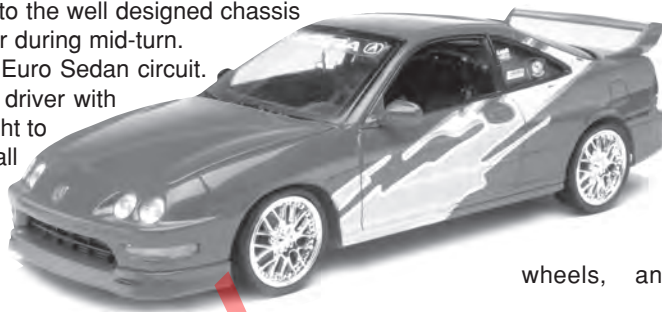


ACURA INTEGRA R

When is the last time you heard of a car being referred to as a “scalpel among steak knives”? Believe it or not, that’s how one writer from a major automotive magazine described the Acura Integra R. It’s also been described as a fabulous sports car that defines the standards of the sports-coupe segment. Pretty impressive observations. What makes the Integra tick and what is it that’s got everybody so excited? The key word is “handling” and in a sports car, that’s what it’s all about, especially on those twisty, country roads that sports cars (and their drivers) just love. Throw the car into a corner and it turns in crisply with only a hint of body roll. The rigid chassis, along with the precise steering and well-tuned suspension all combine to provide excellent stability and balance. In fact, the Acura behaves so predictably that it would almost be difficult to lose control in a sweeping corner, thanks to the well designed chassis and the responsive nature of the engine that allow the driver to throttle-steer during mid-turn.

The Integra has also taken on a whole new life on the Hot Hatch Euro Sedan circuit.

It’s the car of choice for the custom crowd that likes to spice up their daily driver with splashy graphics, engine modifications or some extra-sporty wheels. A delight to drive, nice to look at and fun to own, the Acura Integra is a car in a class all it’s own. Your Revell kit may be built as a factory stock Acura Integra R, or as a customized hot hatch. Included in your kit is a stock version which features stock wheels, front and rear spoilers, and Acura Integra R decals. The custom version includes several aerodynamic packages, 3 sets of custom silk screened custom decals!



wheels, and



* REPEAT SEVERAL TIMES

* A REPETER PLUSIEURS FOIS



* OPTIONAL PARTS

* PIECES EN OPTION



* DECAL

* DECAL COMANIE



* ALTERNATIVE ASSEMBLY

* ENSEMBLAGE ALTERNATIVE



* CEMENT TOGETHER

* A COLLER



* REMOVE AND THROW AWAY

* A RETIRER ET JETER



* DO NOT CEMENT

* NE PAS COLLER

READ THIS BEFORE YOU BEGIN

- * Study the assembly drawings.
- * Each plastic part is identified by a number.
- * In the assembly drawings, some parts will be marked by a star (★) to indicate chrome plated plastic.
- * For better paint and decal adhesion, wash the plastic parts in a mild detergent solution. Rinse and let air dry.
- * Check the fit of each piece before cementing in place.
- * Use only cement for polystyrene plastic.
- * Scrape plating and paint from areas to be cemented.
- * Allow paint to dry thoroughly before handling parts.
- * Any unused parts may be discarded.

DECAL APPLICATION INSTRUCTIONS (If applicable)

1. Cut desired decal from sheet.
2. Dip decal in water for a few seconds.
3. Place wet decal on paper towel.
4. Wait until decal is movable on paper backing.
5. Place decal in position on model, face up and slide backing away.
6. Press out air bubbles with a soft damp cloth.
7. Milkyness that may appear is for better decal adhesion and will dry clear. Wipe away any excess adhesive.
8. Do not touch decal until fully dry.
9. Allow the decals 48 hours to dry before applying clear coat.

LIRE CE QUI SUIT AVANT DE COMMENCER

- * Etudier les schémas de montage.
- * Chaque pièce en plastique est identifiée par un numéro.
- * Sur les schémas de montage, certaines pièces sont marquées d'une étoile (★) pour indiquer qu'elles sont en plastique chromé.
- * Pour une meilleure prise de la peinture et des autocollants, laver les pièces en plastique avec une solution détergente peu concentrée. Les rincer et les laisser sécher à l'air.
- * Vérifier que chaque pièce s'ajuste bien avant de la coller en place.
- * N'utiliser que de la colle pour polystyrène.
- * Gratter les parties à coller pour enlever le chrome et la peinture.
- * Laisser la peinture bien sécher avant de manipuler les pièces.
- * Toute pièce inutilisée peut être jetée.

DIRECTIVES D'APPLICATION DES AUTOCOLLANTS

1. Découper l'autocollant désiré de la feuille.
2. Tremper l'autocollant dans de l'eau pendant quelques secondes.
3. Placer l'autocollant mouillé sur une serviette en papier.
4. Attendez que l'autocollant puisse être déplacé sur son support en papier.
5. Mettre l'autocollant en position sur le modèle face sur le dessus et faire glisser le support pour l'enlever.
6. Appuyer avec un chiffon doux humide pour éliminer les bulles d'air.
7. La substance laiteuse qui peut apparaître est destinée à améliorer l'adhésion de l'autocollant et devient incolore au séchage. Essuyer pour enlever tout excédent d'adhésif.
8. Ne pas toucher l'autocollant tant qu'il n'est pas bien sec.
9. Laisser l'autocollant sécher pendant 48 heures avant d'appliquer une couche transparente.

This paint guide is provided to complete this kit as shown on the box.

Ce guide de peinture est fourni pour reproduire le modèle réduit qui apparaît sur la boîte.

Aluminum	Aluminum
Flat Black	Noir mat
Gloss Black	Noir lustré
Gloss Red	Rouge lustré
Gloss White	Blanc lustré
Gloss Yellow	Jaune lustré
Satin Black	Noir satin
Steel	Acier
Turn Signal Amber	Feu de virage ambre
Transparent Red	Rouge transparent

If you have any questions or comments, call our hotline at: **(800) 833-3570**
or, please write to:

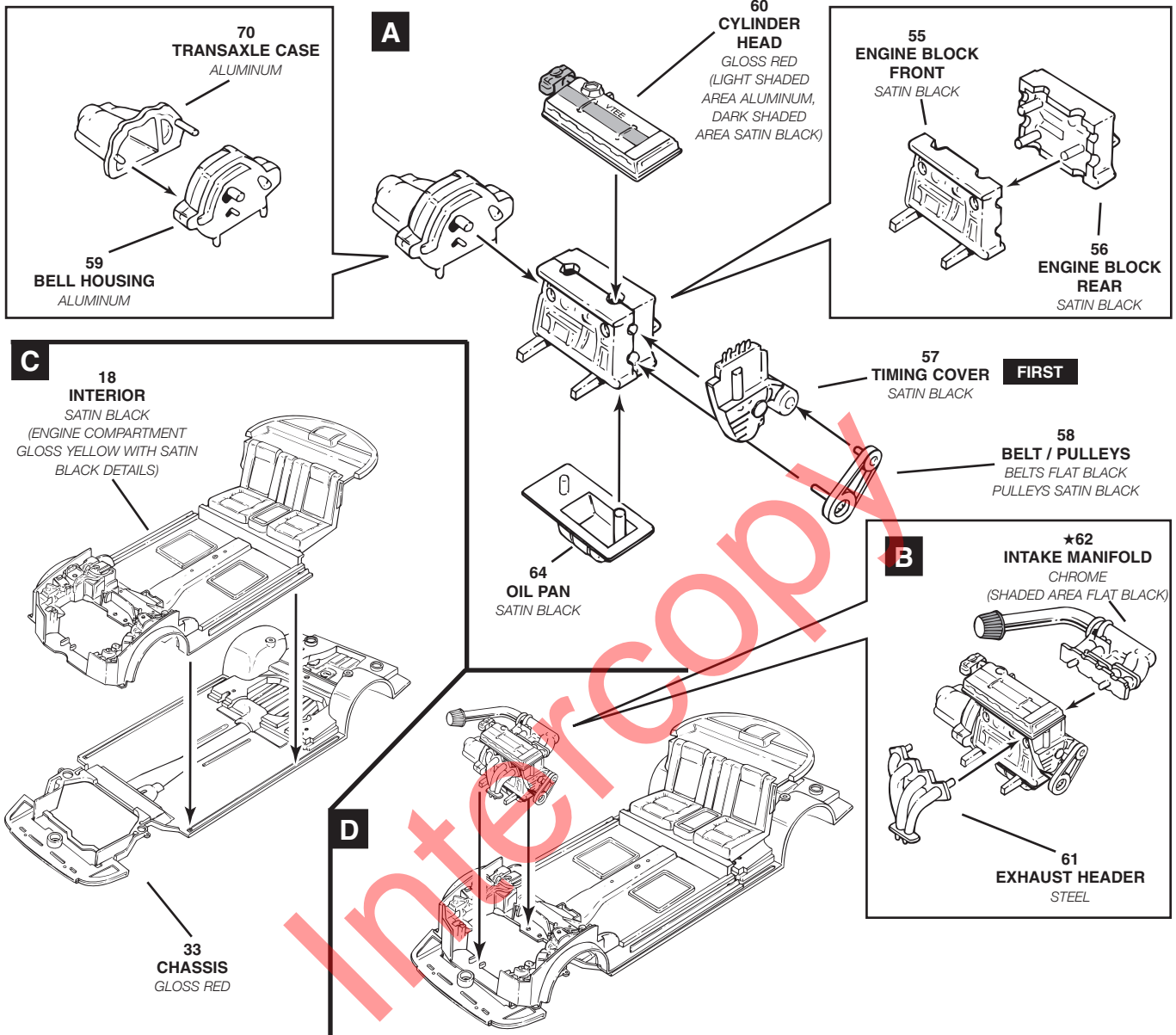
Revell-Monogram Consumer Service Department, 725 Landwehr, Northbrook, Illinois 60062

Be sure to include the plan number (85257200200), part number, description, your return address and phone number.

Visit our website: www.revell-monogram.com

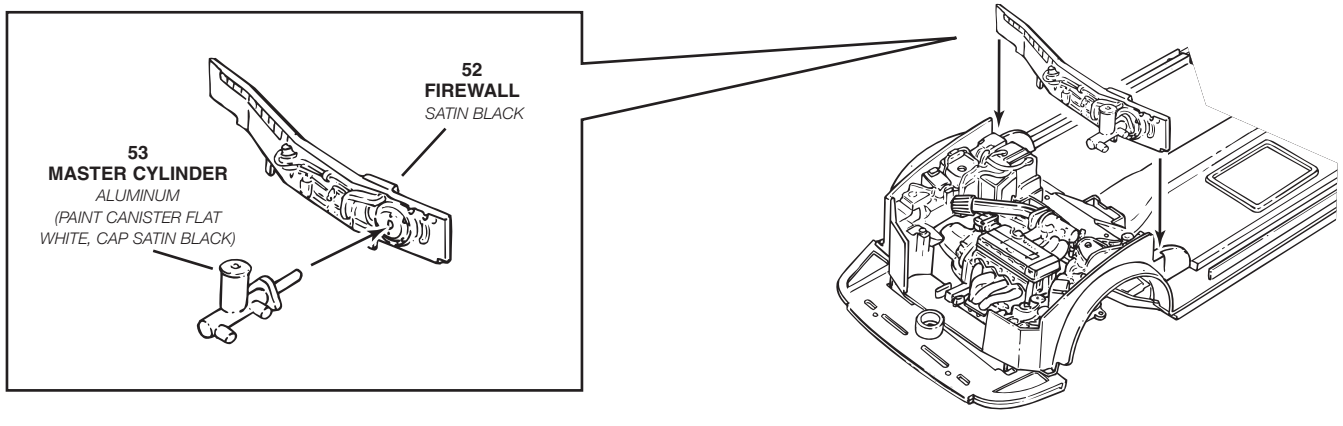
1

ENGINE ASSEMBLY



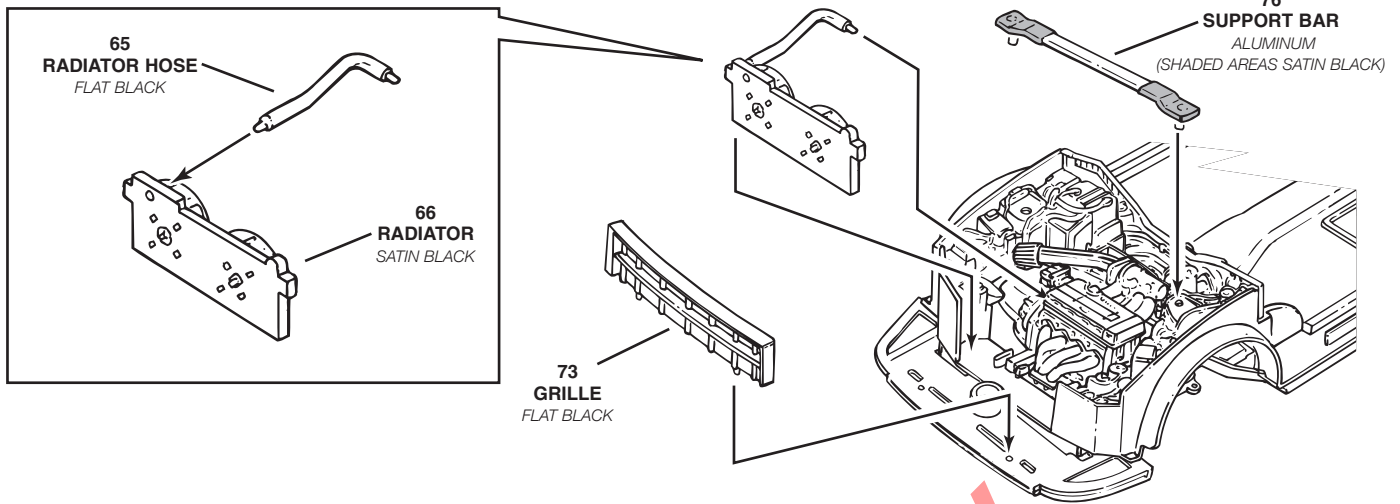
2

FIREWALL ASSEMBLY



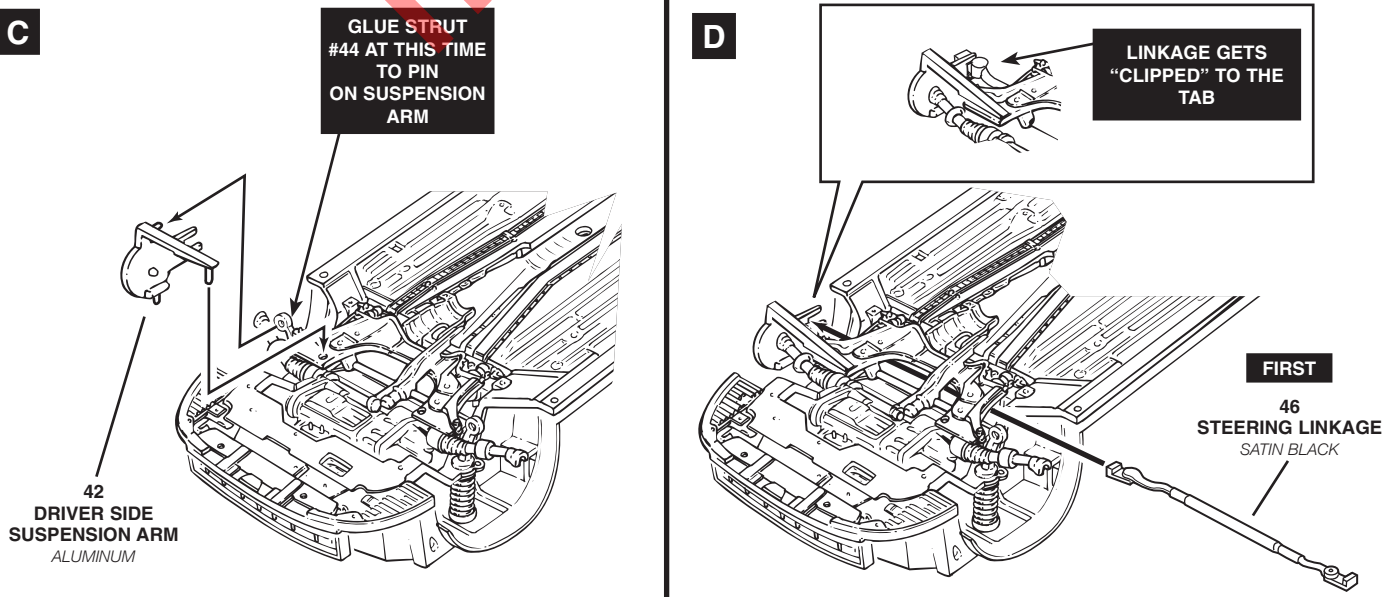
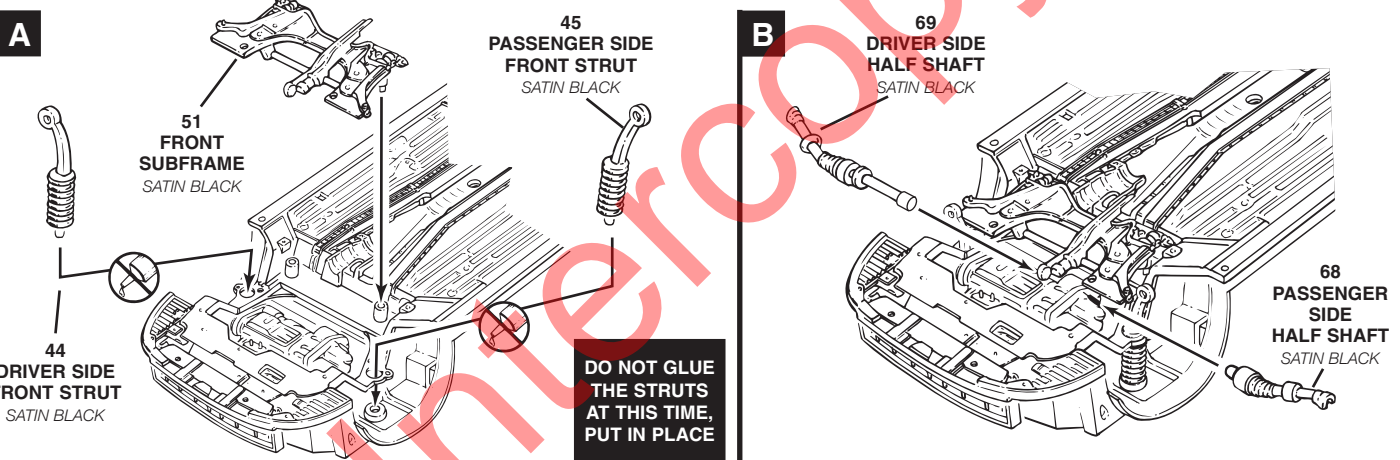
3

RADIATOR ASSEMBLY



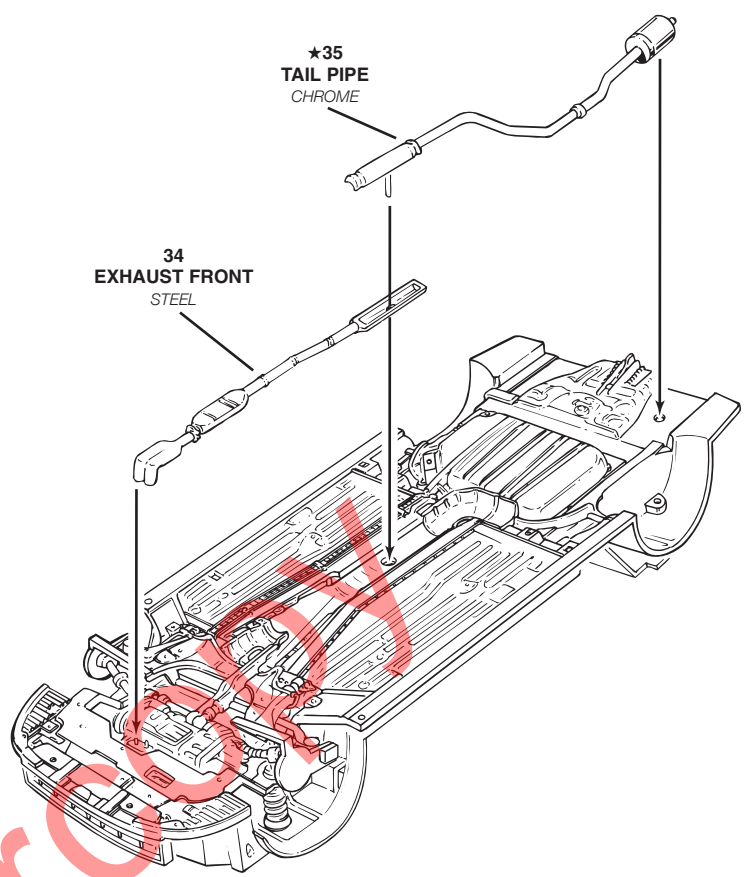
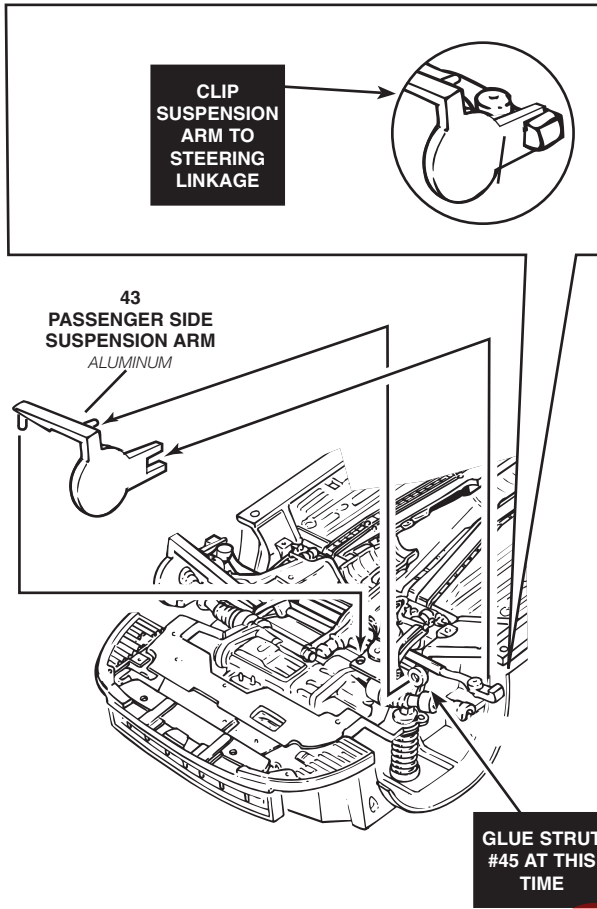
4

FRONT SUSPENSION ASSEMBLY



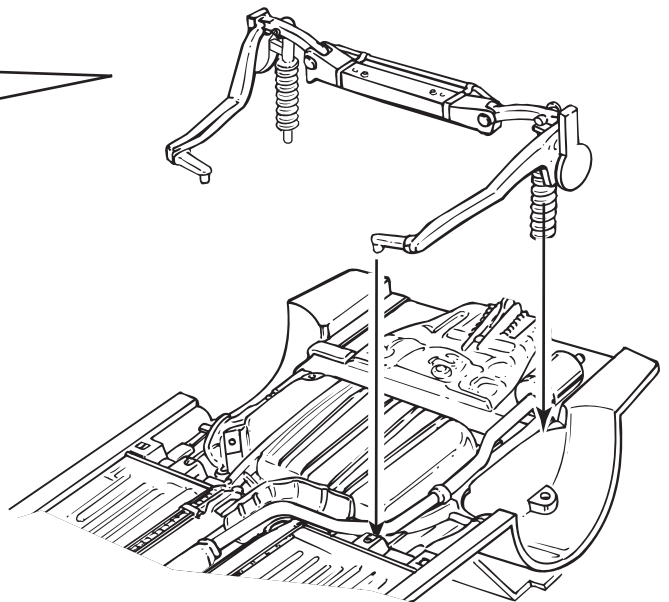
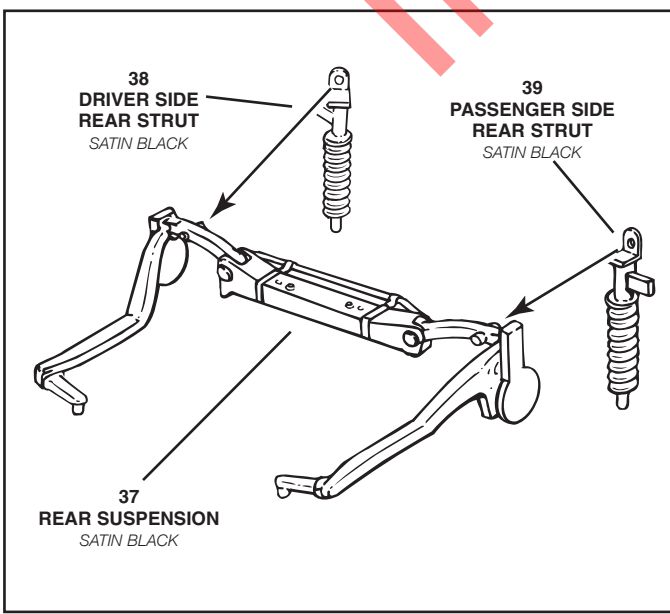
4

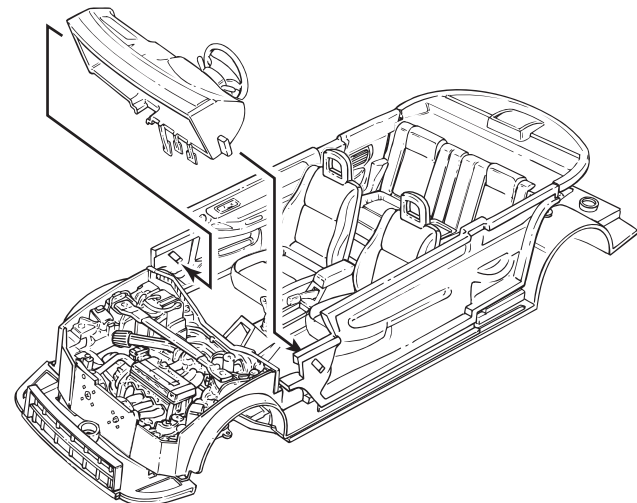
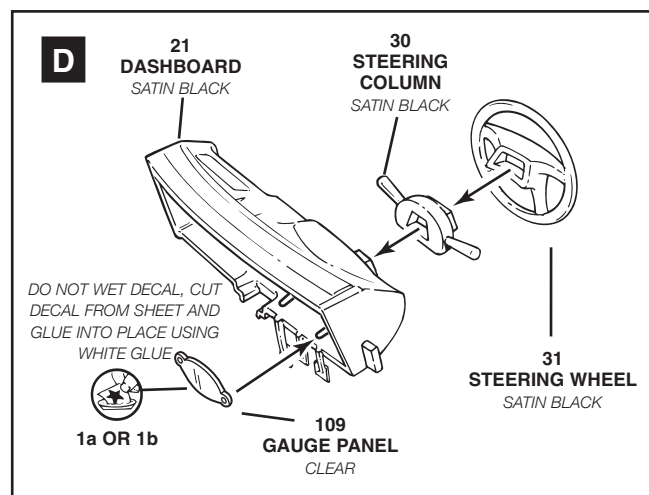
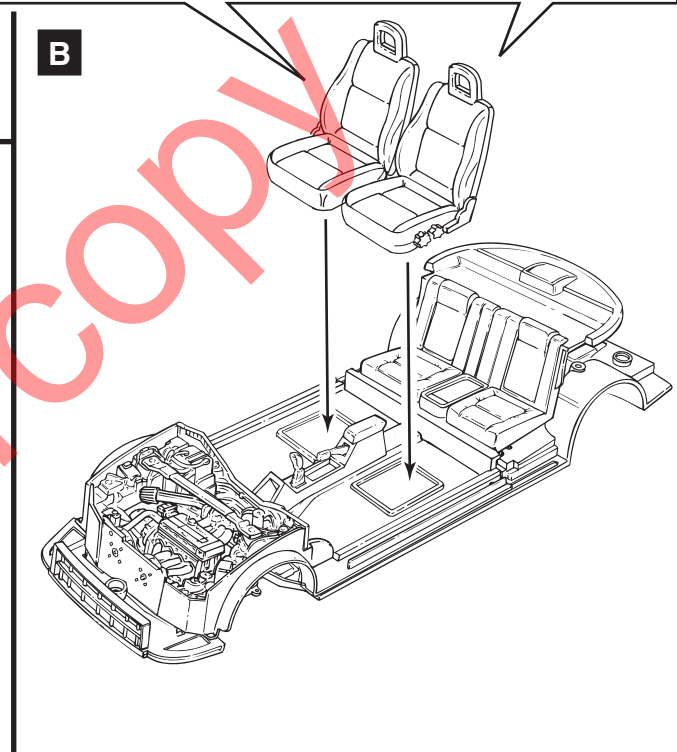
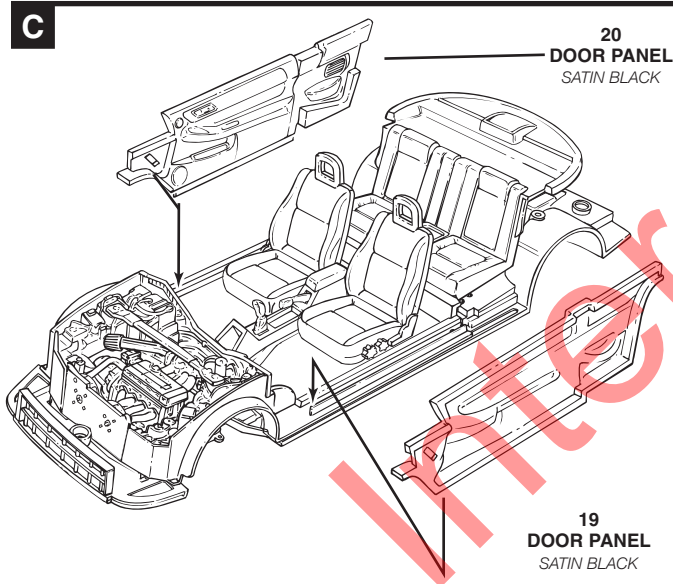
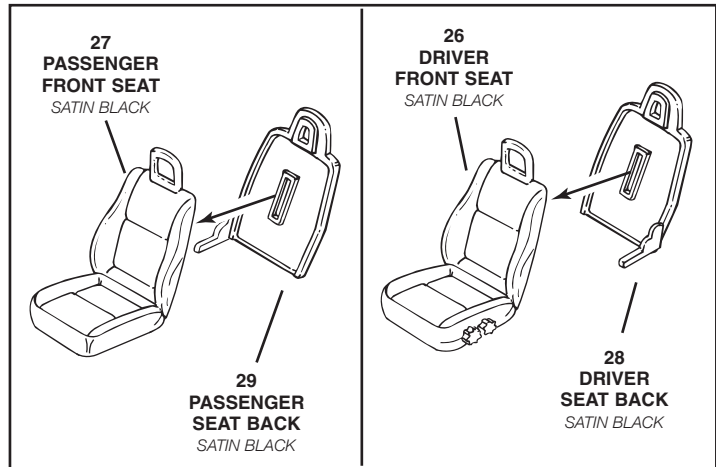
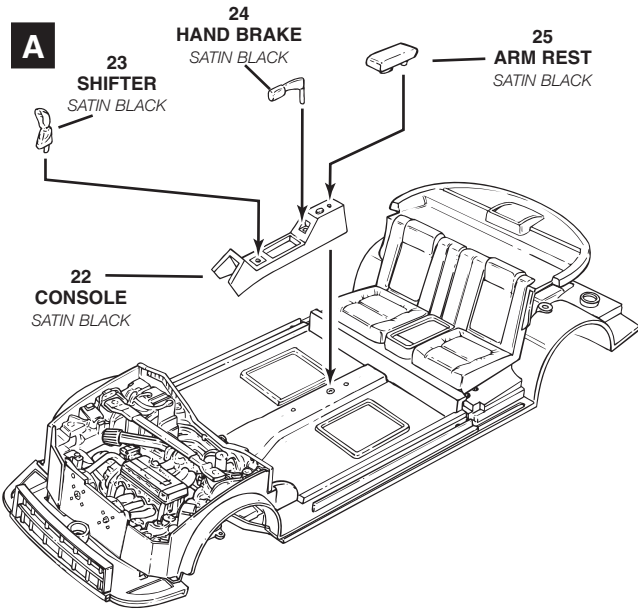
SUSPENSION ASSEMBLY CONTINUED



5

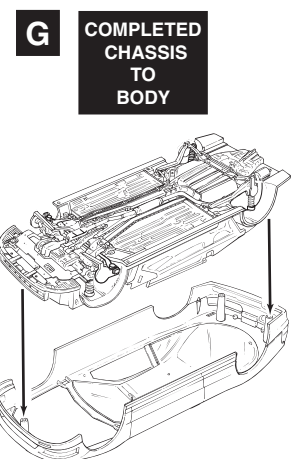
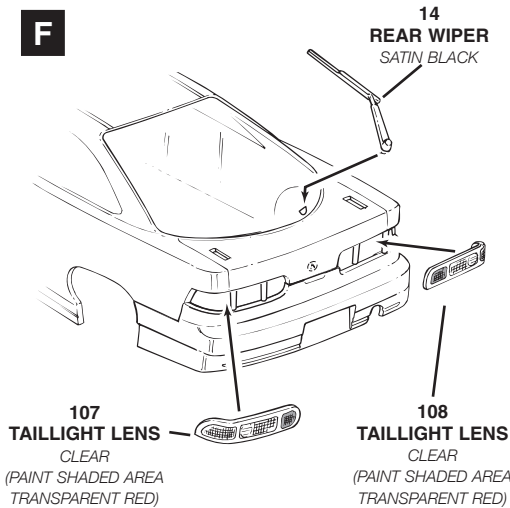
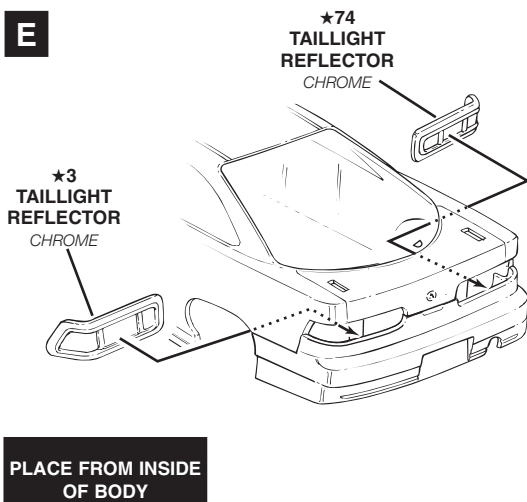
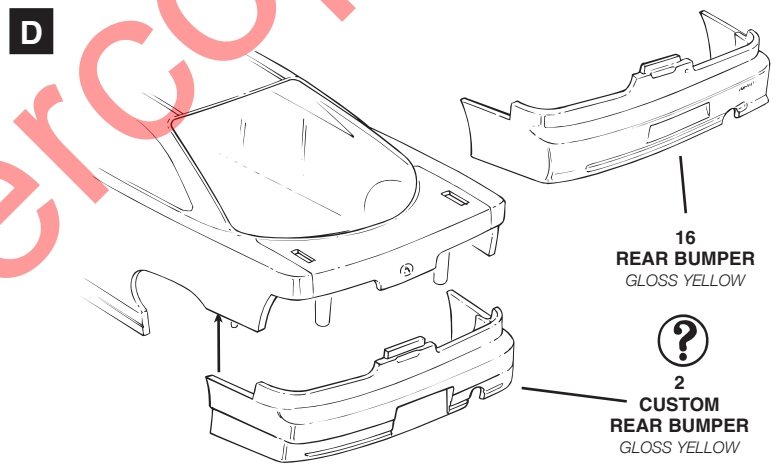
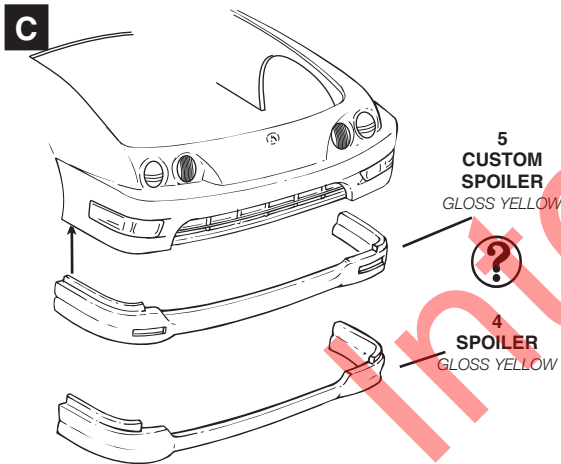
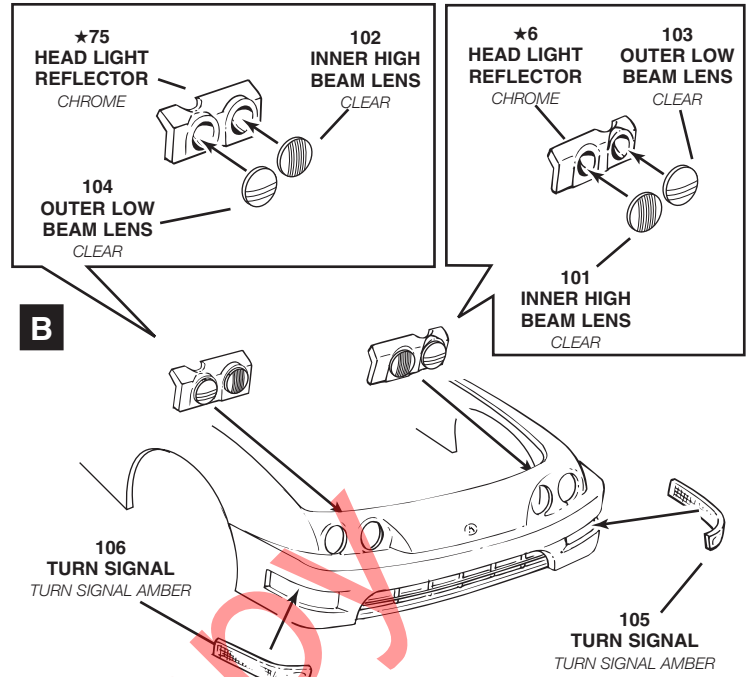
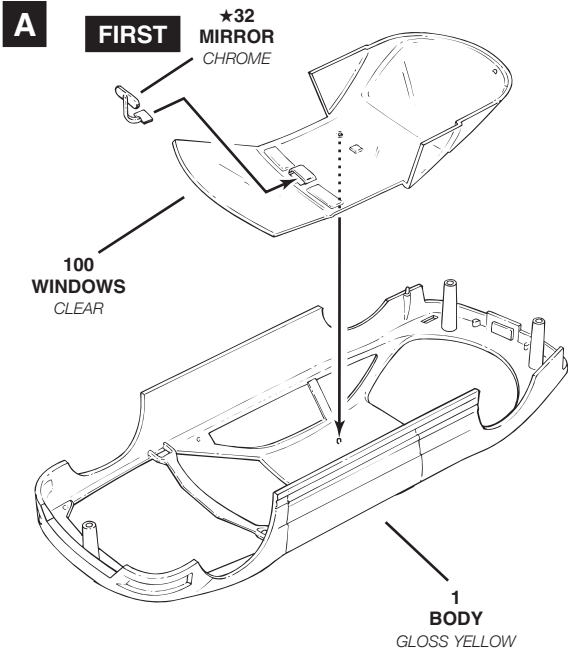
REAR SUSPENSION ASSEMBLY





7

BODY / FRONT / REAR ASSEMBLY



WHEEL / FINAL ASSEMBLY

A

★7 CUSTOM WHEEL CHROME

80 STOCK WHEEL STEEL

★8 CUSTOM WHEEL CHROME

TIRE

★9 CUSTOM WHEEL CHROME

4X

B

METAL AXLE PIN

METAL EXHAUST TIP MAY BE USED AS A PUSHING TOOL

4X

4X

APPLY DOWNWARD PRESSURE TO SECURE AXLE PIN IN PLACE

BRAKES 47, 48, 49, 50 SEE CORRECT POSITIONS IN ILLUSTRATIONS AT RIGHT

C

48 DRIVER SIDE DISC BRAKE ALUMINUM (CALIPER GLOSS RED)

50 DRIVER SIDE REAR BRAKES ALUMINUM (CALIPER GLOSS RED)

47 PASSENGER SIDE DISC BRAKE ALUMINUM (CALIPER GLOSS RED)

49 PASSENGER SIDE REAR BRAKES ALUMINUM (CALIPER GLOSS RED)

APPLY GLUE TO THE RAISED SURFACES ONLY

D

71 REAR WING GLOSS YELLOW

17 CUSTOM REAR WING GLOSS YELLOW

54 REAR WING CENTER GLOSS YELLOW

40 REAR WING END GLOSS YELLOW

41 REAR WING END GLOSS YELLOW

E

METAL EXHAUST TIP

F

11 PASSENGER SIDE MIRROR HOUSING GLOSS YELLOW

★13R PASSENGER SIDE MIRROR CHROME

★12L DRIVERS SIDE MIRROR CHROME

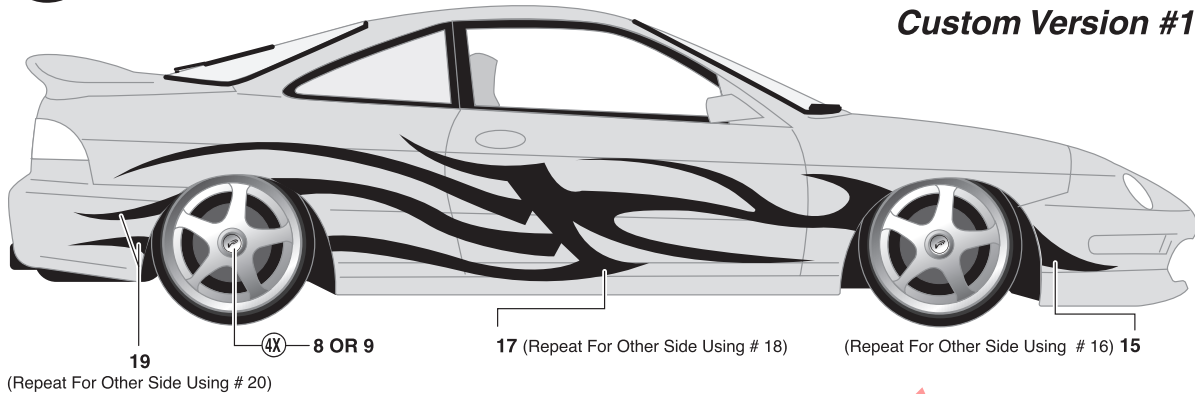
15 HOOD GLOSS YELLOW

10 DRIVERS SIDE MIRROR HOUSING GLOSS YELLOW

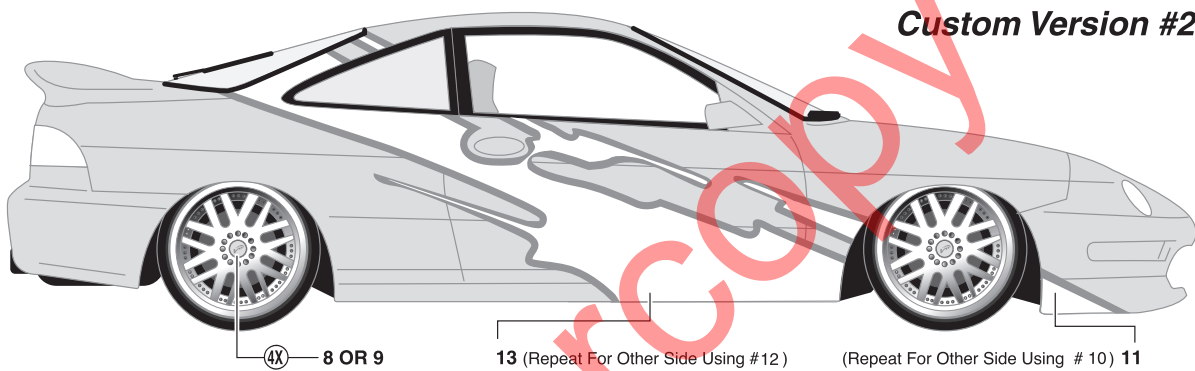
DECAL PLACEMENT



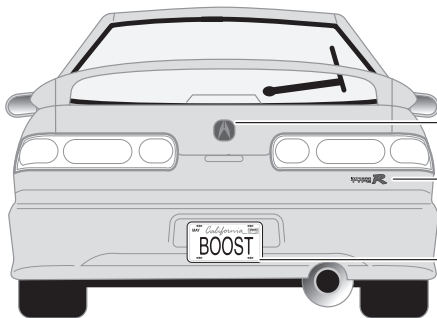
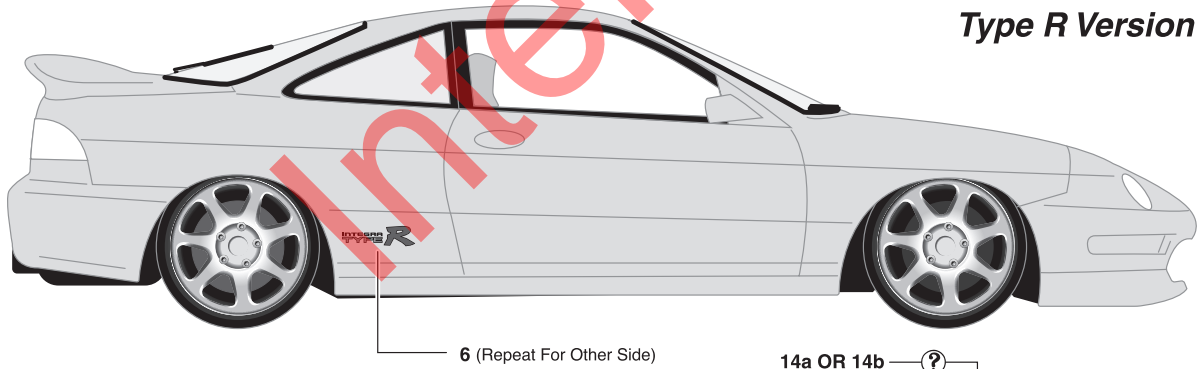
Custom Version #1



Custom Version #2



Type R Version



(Bonus Sponsor Decals)

