



KIT 2616

85261600200

# '32 FORD HIGHBOY HOT ROD

## AND THE ORIGINAL BIG DEUCE 3`N 1



The 1932 Ford roadster is the paragon hot rod. Why? Some reasons are strictly obvious, others are purely emotional. A few are completely illogical. First, you have to remember that 1932 was the depth of the recession in the United States. Most corporate types would not calculate this as the best time to introduce an all-new, low production run, low-cost "everyman's car" with styling queues echoing from high-class marques like Lincolns and Duesenbergs, and--of all incredible things--the first assembly-line, low-cost, high-volume-production V8 engine ever made. A young man's auto sport that would one day be called hot rodding was already gaining a strong foothold in Southern California by this time, and you know their attention was riveted by this flashy new Ford and its unheard-of engine. This was, hands down, power to the people.

Some might think that Henry Ford predestined the '32 Ford to be a collector's classic. The smooth, rounded, body-color grille shell, the flowing body contours, and the gentle, conforming body accent lines all broke trend from the boxy, squared-up Model A. The "Deuce" was offered not only in the sporty roadster, but also in two completely different coupes, a couple of sedans, a classy phaeton, a jaunty Victoria, and even a drop-head version of this model (B-400), among others. The most amazing part is that this all-new line was offered for only one short year, with the V8 models not being introduced until halfway through it. By 1933, everything changed again (except the V8 engine, which would last through 1953--as the hot rodders' favorite).

But, of all this, what the rodders saw was a relatively inexpensive, light, powerful new Ford that came with an unheard-of affordable V8 engine and a considerably more rugged (and good-looking) frame. Of course, the young depression-era rodders couldn't afford new V8s at the time--they were still stripping down cast-off Model T's and hopping them up with obsolete race parts from the Teens to compete

on the smooth, dusty dry lakes above L.A.

But after the War, the rapidly swelling throngs of new rodders latched onto the '32 Roadster (now obsolete itself), as *their* car. Why? The roadster was the lightest, cheapest, and (with fenders, lights, and windshield removed) by far the most aerodynamic model in the early Ford line (remember that speed at the dry lakes depends as much on streamlining as it does on power). The '32 was a bit bigger and wider than the T's and A's, but it came with the V8 in place, and it was sporty--a darn good-looking car, with or without fenders.

Not only is the Deuce roadster the classic hot rod, this is a classic model kit. The Big Deuce followed closely on the heels of the ground-breaking Big T, offered at the zenith of the model car hobby in the early '60's (along with a 1:1 counterpart of each by Darryl Starbird). It was a stunner then, and is even more so now. All the crispness and exactness of those original dies and molds remain, but, fully reflecting the healthy diversity of rodding today, you can build this value-added kit in any number of styles, ranging from the original '60s full-fendered, mag-wheeled version, to a right-on '40s-'50s highboy with a full-dressed flathead, to a contemporary, throw-back "rat rod" version for which the multi-carb OHV V8 with open outside headers is perfect (and the Mexican seat blanket is *de rigueur*). The Big Deuce was done right by Monogram the first time around, and it's done even better in this impressive multi-build kit by successor Revell-Monogram. Welcome back, Big Deuce.

Pat Ganahl

*Pat Ganahl has been the Editor of Street Rodder, Hot Rod, Rod & Custom, and Rodders Journal magazines. Pat created the Modellers Corner in Street Rodders magazine and is an avid model builder.*

The Big Deuce is dedicated to Roger Harney, without his continual support and dedication at Revell Monogram this kit would have not been possible

The '32 Ford Highboy Hot Rod instruction manual is divided into three separate sections. Each section contains instructions for building a particular type of "Hot Rod" Please read the instructions carefully and decide which

version you prefer to build. Parts may be interchanged between different versions but it is strongly suggested only for the advanced model builder.



\*OUVERTURE DE COUPURE  
\* CUT OPEN



\* DECAL  
\* DECAL COMANIE



\* ALTERNATIVE ASSEMBLY  
\* ENSEMBLAGE ALTERNATIVE



\* OPTIONAL PARTS  
\* PIECES EN OPTION



\* CEMENT TOGETHER  
\* A COLLER



\* DO NOT CEMENT  
\* NE PAS COLLER



\* REPEAT SEVERAL TIMES  
\* A REPETER PLUSIEURS FOIS



\* REMOVE AND THROW AWAY  
\* A RETIRER ET JETER

## READ THIS BEFORE YOU BEGIN

- \* Study the assembly drawings.
- \* Each plastic part is identified by a number.
- \* In the assembly drawings, some parts will be marked by a star (★) to indicate chrome plated plastic.
- \* For better paint and decal adhesion, wash the plastic parts in a mild detergent solution. Rinse and let air dry.
- \* Check the fit of each piece before cementing in place.
- \* Use only cement for polystyrene plastic.
- \* Scrape plating and paint from areas to be cemented.
- \* Allow paint to dry thoroughly before handling parts.
- \* Any unused parts may be discarded.

### DECAL APPLICATION INSTRUCTIONS

1. Cut desired decal from sheet.
2. Dip decal in water for a few seconds.
3. Place wet decal on paper towel.
4. Wait until decal is movable on paper backing.
5. Place decal in position on model, face up and slide backing away.
6. Press out air bubbles with a soft damp cloth.
7. Milkiness that may appear is for better decal adhesion and will dry clear. Wipe away any excess adhesive.
8. Do not touch decal until fully dry.
9. Allow the decals 48 hours to dry before applying clear coat.

**NOTE:** Decals are compatible with setting solutions or solvents.

## LIRE CE QUI SUIT AVANT DE COMMENCER

- \* Etudier les schémas de montage.
- \* Chaque pièce en plastique est identifiée par un numéro.
- \* Sur les schémas de montage, certaines pièces sont marquées d'une étoile (★) pour indiquer qu'elles sont en plastique chromé.
- \* Pour une meilleure prise de la peinture et des autocollants, laver les pièces en plastique avec une solution détergente peu concentrée. Les rincer et les laisser sécher à l'air.
- \* Vérifier que chaque pièce s'ajuste bien avant de la coller en place.
- \* N'utiliser que de la colle pour polystyrène.
- \* Gratter les parties à coller pour enlever le chrome et la peinture.
- \* Laisser la peinture bien sécher avant de manipuler les pièces.
- \* Toute pièce inutilisée peut être jetée.

### DIRECTIVES D'APPLICATION DES AUTOCOLLANTS

1. Découper l'autocollant désiré de la feuille.
2. Tremper l'autocollant dans de l'eau pendant quelques secondes.
3. Placer l'autocollant mouillé sur une serviette en papier.
4. Attendez que l'autocollant puisse être déplacé sur son support en papier.
5. Mettre l'autocollant en position sur le modèle face sur le dessus et faire glisser le support pour l'enlever.
6. Appuyer avec un chiffon doux humide pour éliminer les bulles d'air.
7. La substance laiteuse qui peut apparaître est destinée à améliorer l'adhésion de l'autocollant et devient incolore au séchage. Essuyer pour enlever tout excédent d'adhésif.
8. Ne pas toucher l'autocollant tant qu'il n'est pas bien sec.
9. Laisser l'autocollant sécher pendant 48 heures avant d'appliquer une couche transparente.

**REMARQUE:** Les autocollants sont compatibles avec les solutions de fixation ou les solvants.

**This paint guide is provided to complete this kit as shown on the box.**

*Ce guide de peinture est fourni pour reproduire le modèle réduit qui apparaît sur la boîte.*

Aluminum	Aluminum
Flat Black	Noir mat
Flat Medium Gray	Grid moyen mat
Flat Red	Rouge mat
Gloss Black	Noir brillant
Gloss Red	Rouge brillant
Gloss White	Blanc brillant
Graphite Metallic	Graphite métallisé
Semigloss Black	Noir satiné
Steel	Acier
Transparent Blue	Bleu transparent
Transparent Red	Rouge transparent

If you have any questions or comments, call our hotline at: **(800) 833-3570**  
or, please write to:

**Revell-Monogram Consumer Service Department, 725 Landwehr Road, Northbrook, Illinois 60062**

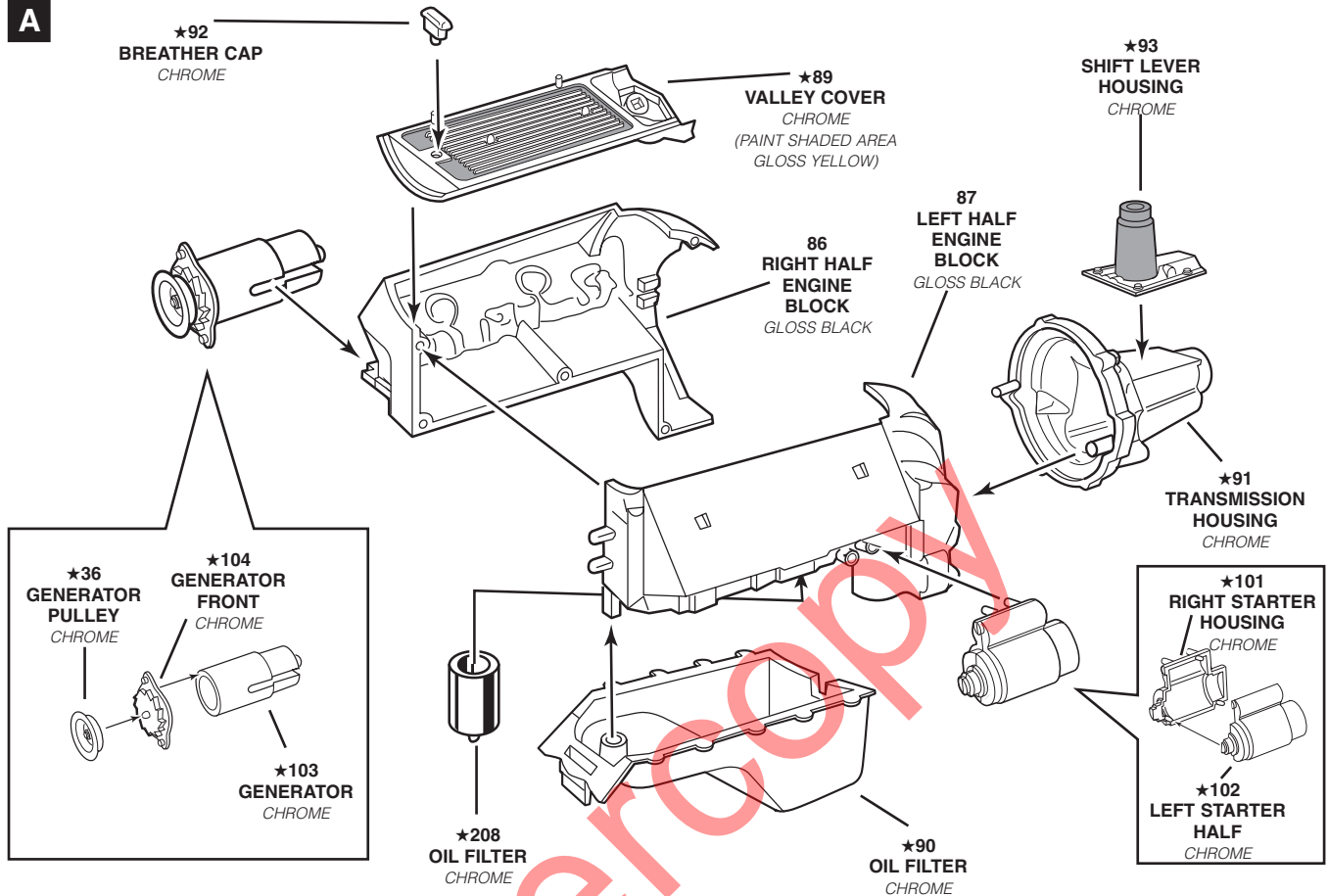
Be sure to include the plan number (85261600200), part number, description, your return address and phone number.

Visit our website: [www.revell-monogram.com](http://www.revell-monogram.com)

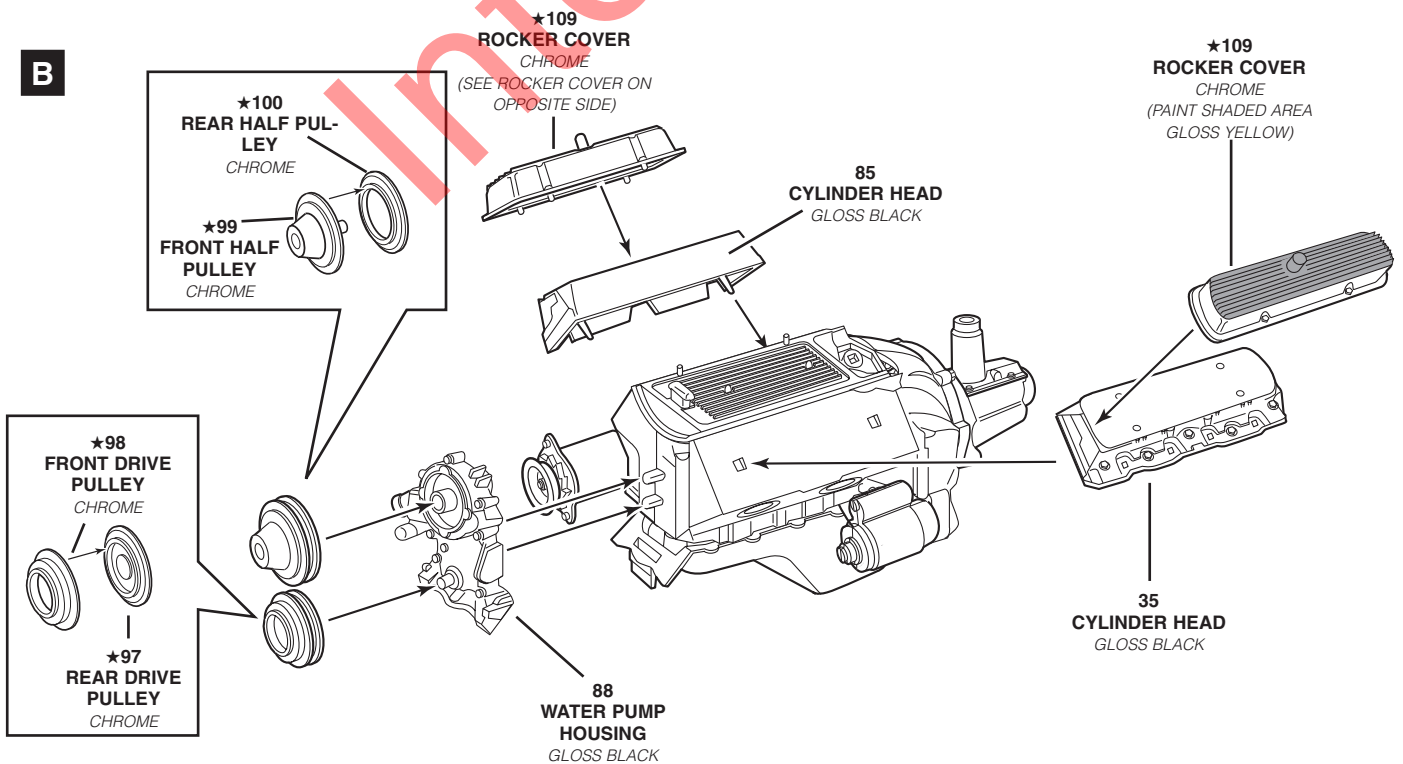
# 1

# BIG DEUCE ENGINE ASSEMBLY

## A



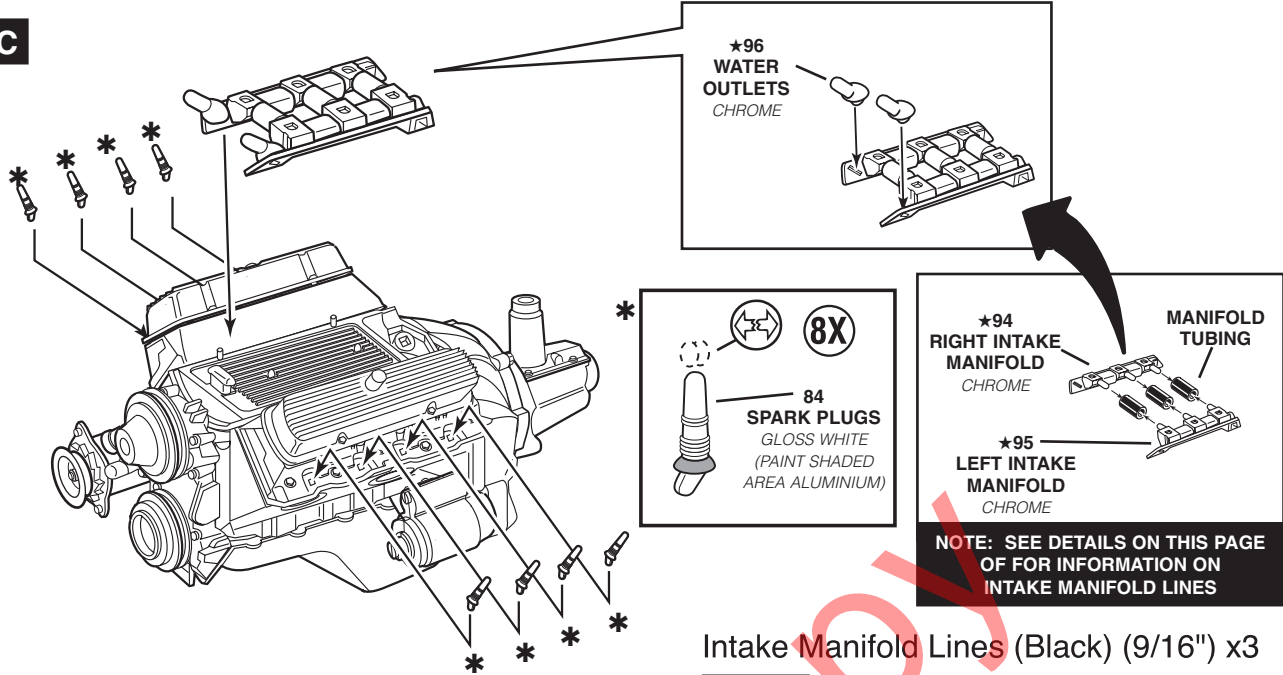
## B



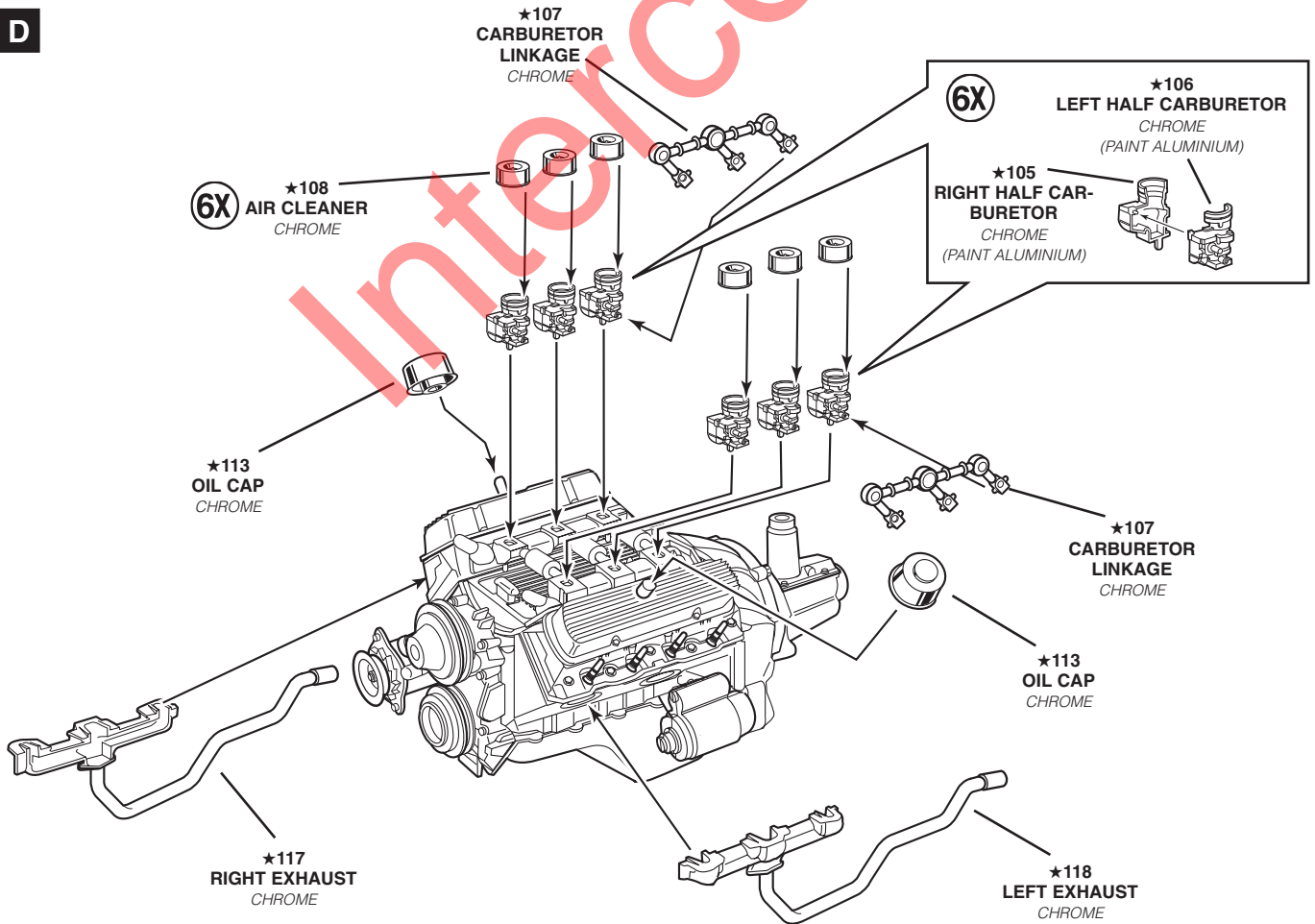
# 1

# BIG DEUCE ENGINE ASSEMBLY CONTINUED

**C**



**D**



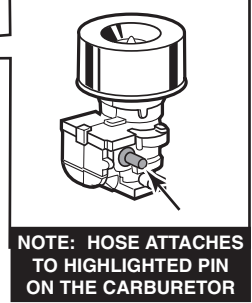
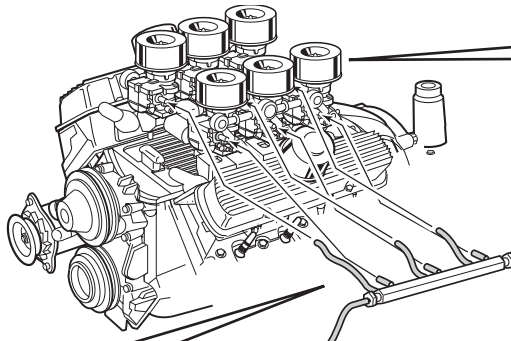
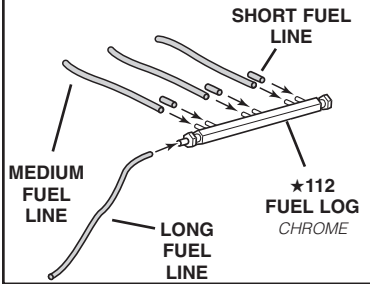


# 1

# BIG DEUCE ENGINE ASSEMBLY CONTINUED

**E**

**NOTE: SEE DETAILS ON THIS PAGE FOR INFORMATION ON FUEL LINES**



**NOTE: HOSE ATTACHES TO HIGHLIGHTED PIN ON THE CARBURETOR**

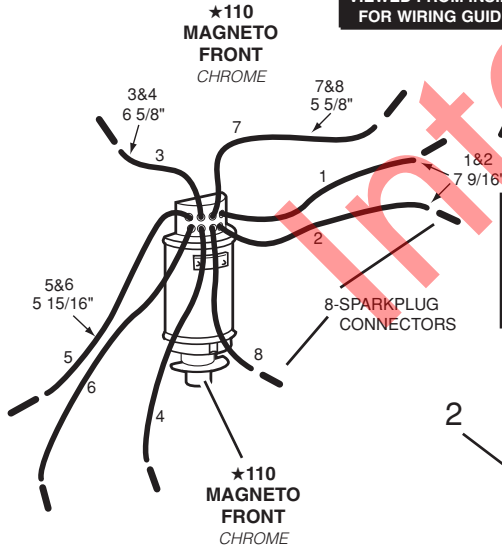
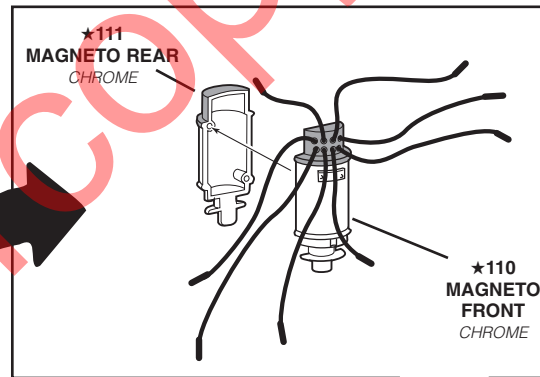
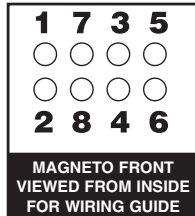
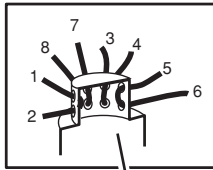
Fuel Lines (Red Tint) - Short (5/16") x3

Fuel Lines (Red Tint) - Medium (1 5/16") x3

Fuel Line (Red Tint) - Long (3 9/16") x1

**NOTE: IF THE FUEL LINES ARE TOO SMALL TO FIT THE DIAMETER OF THE PINS USE A PENCIL TIP TO SPREAD FUEL LINES BEFORE ATTACHING TO PINS**

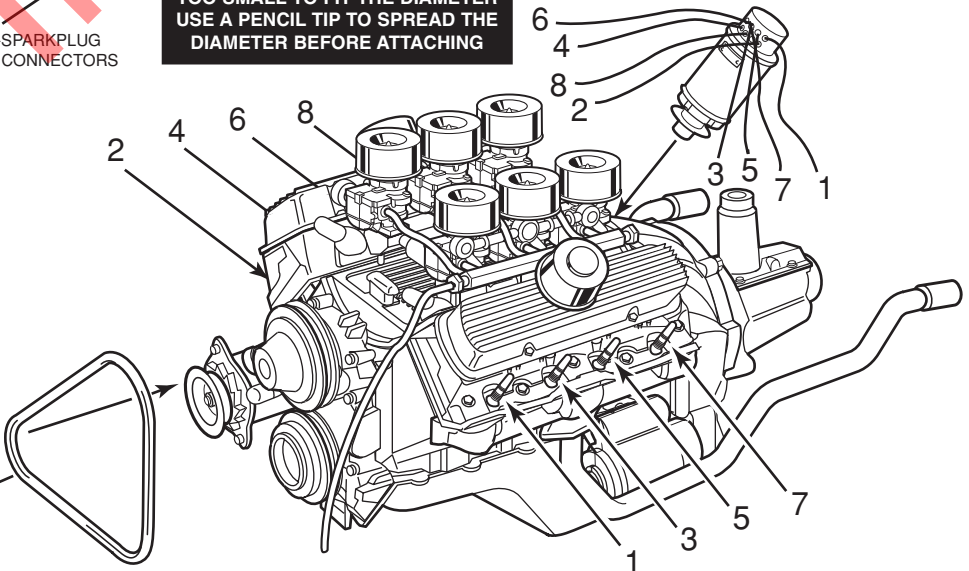
**F**



**NOTE: IF THE IGNITION WIRES AND SPARK PLUG CONNECTORS ARE TOO SMALL TO FIT THE DIAMETER USE A PENCIL TIP TO SPREAD THE DIAMETER BEFORE ATTACHING**

**NOTE: SEE DETAILS ON LAST PAGE OF THIS SECTION OF THE INSTRUCTION MANUAL FOR INFORMATION ON SPARK PLUG LINES AND SPARK PLUG CONNECTORS**

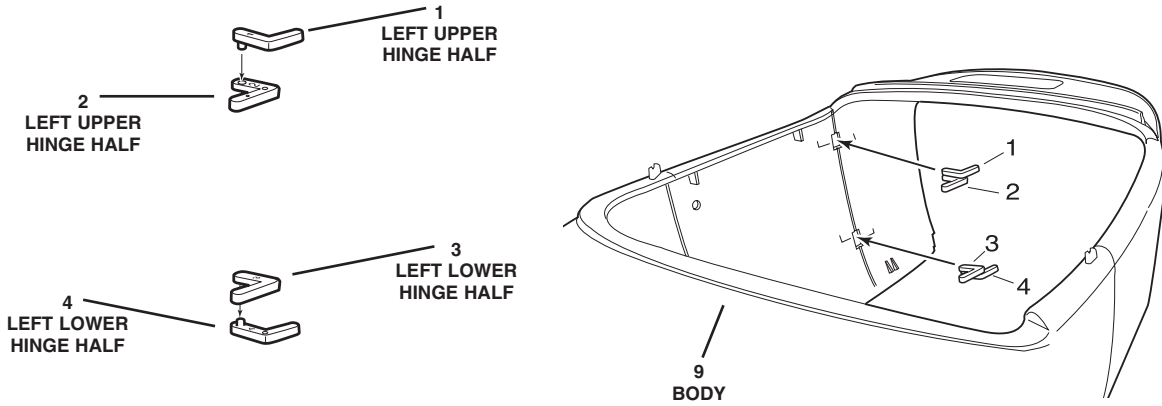
RUBBER BAND



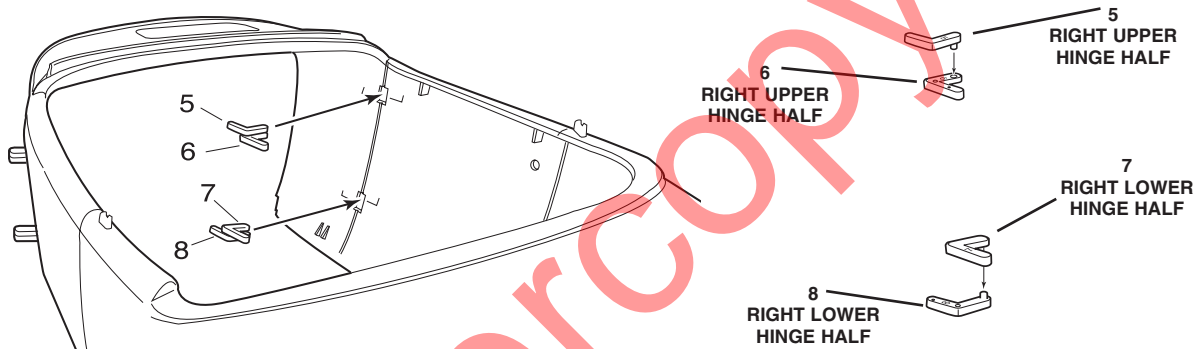
# 2

# BIG DEUCE BODY ASSEMBLY

**A**

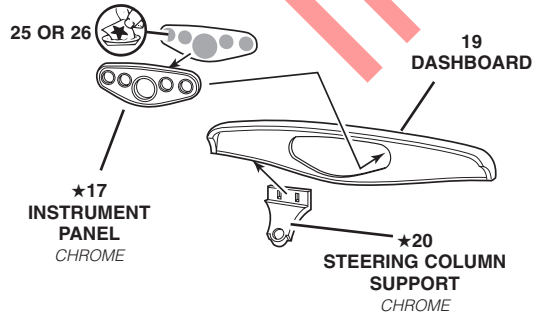


**B**

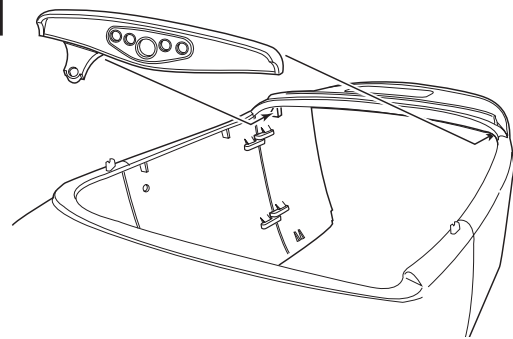


**NOTE:** CUT DECAL FROM PAPER BUT DO NOT SLIDE FROM PAPER BACKING. GLUE TO THE BACK OF THE INSTRUMENT PANEL

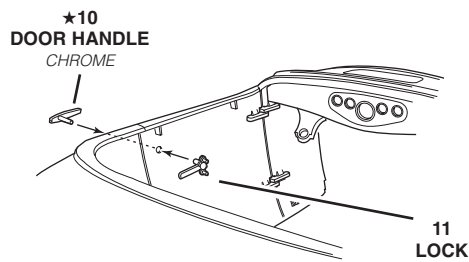
**C**



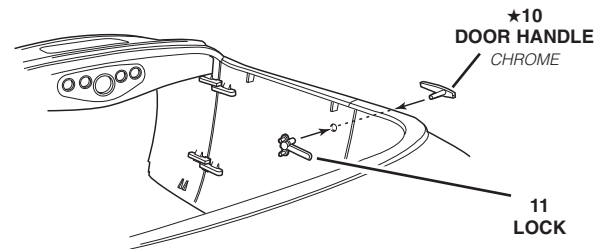
**D**



**E**



**F**

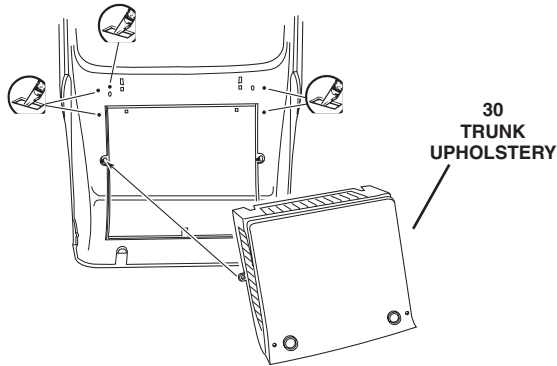


# 2

# BIG DEUCE BODY ASSEMBLY CONTINUED

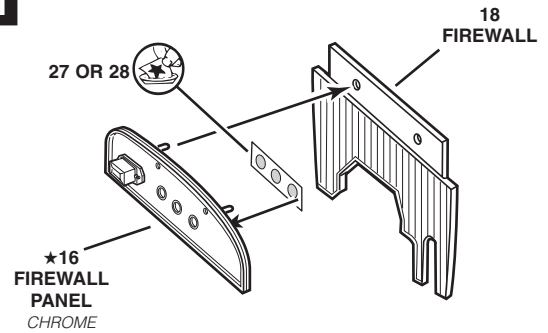
**G**

NOTE: OPEN HOLES SHOWN TO ATTACH HANDLES AND ANTENNA IN A LATER STEP

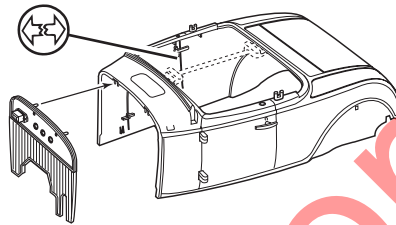


NOTE: CUT DECAL FROM PAPER BUT DO NOT SLIDE FROM PAPER BACKING. GLUE TO THE BACK OF THE INSTRUMENT PANEL

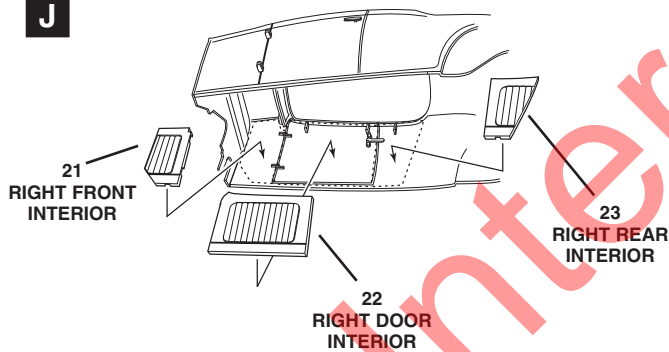
**H**



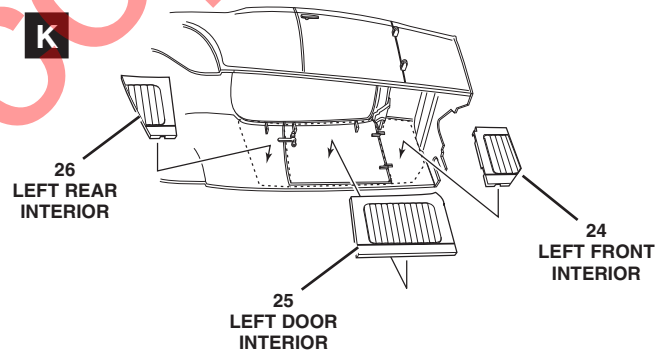
**I**



**J**



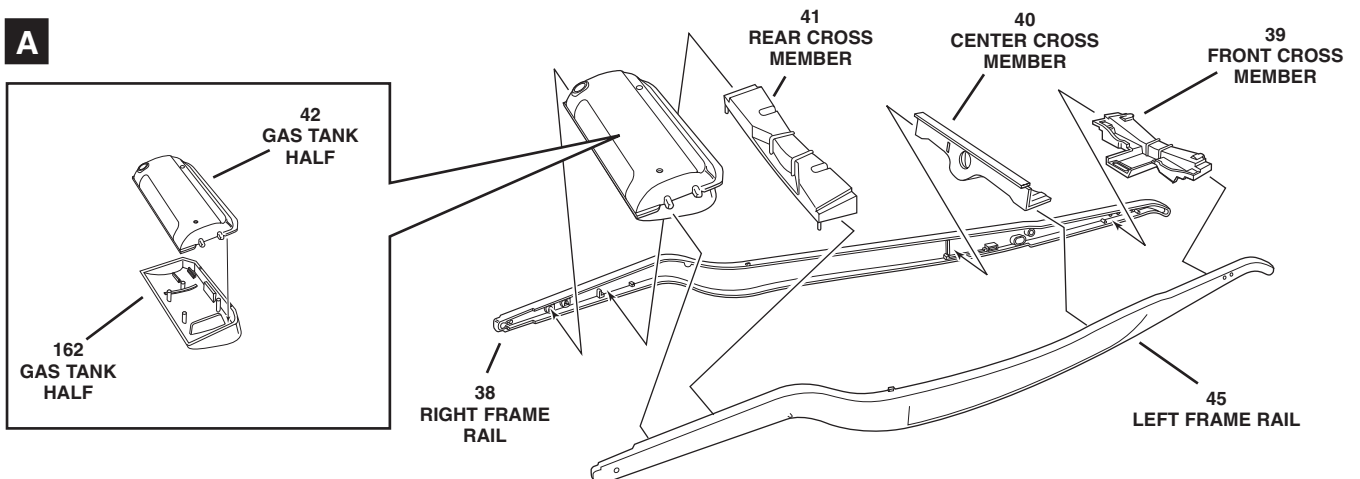
**K**



# 3

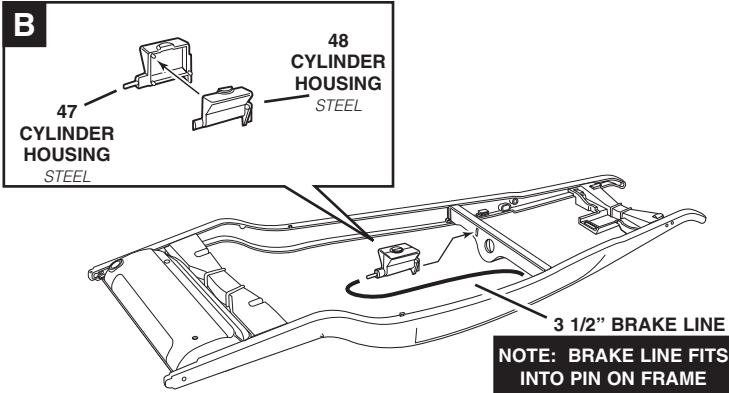
# BIG DEUCE FRAME ASSEMBLY

**A**

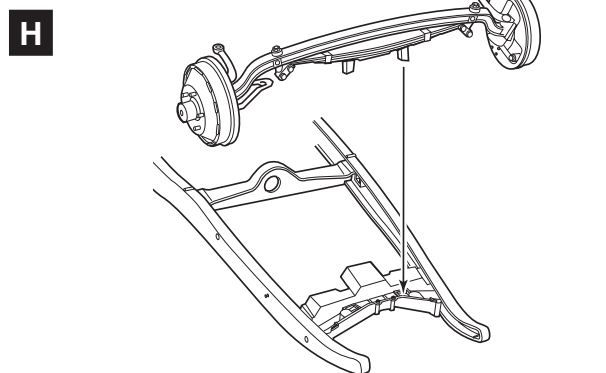
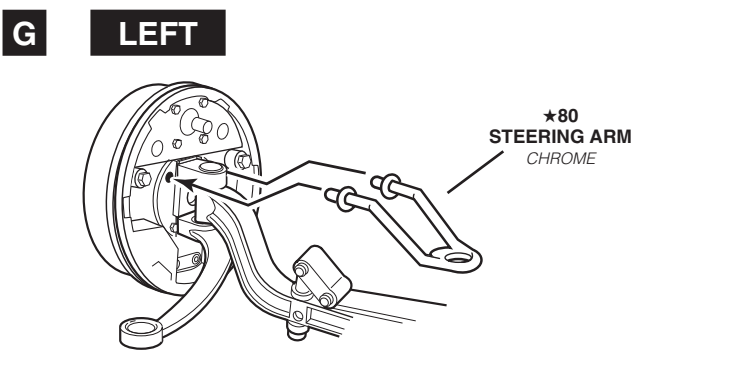
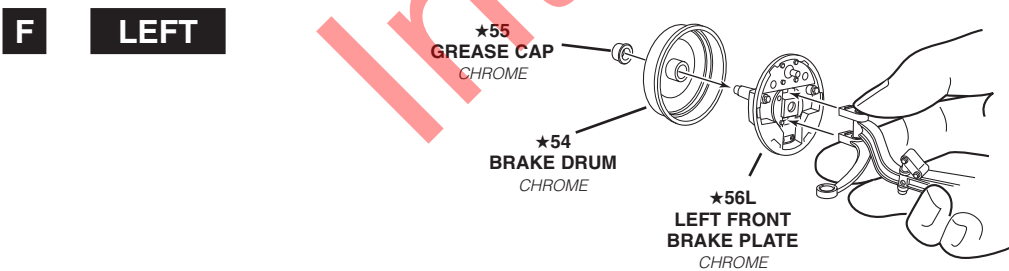
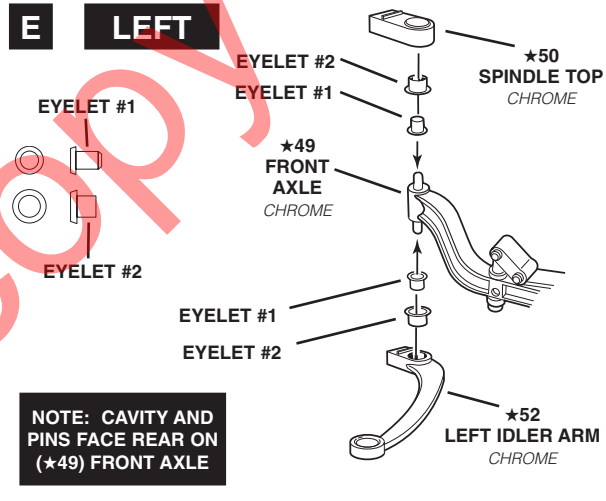
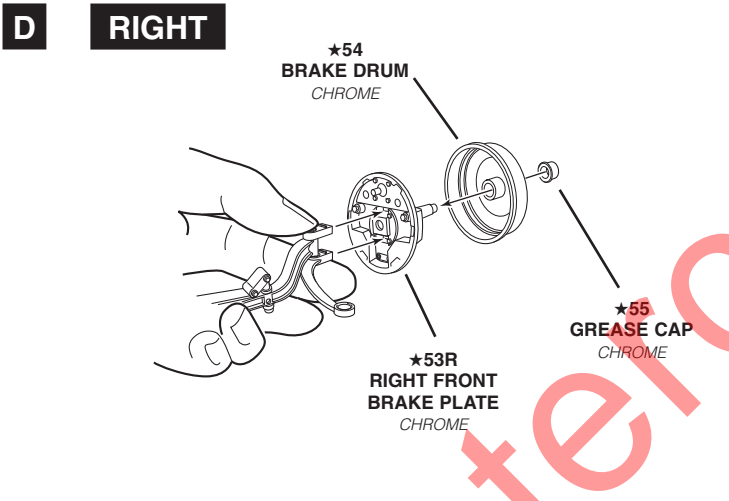
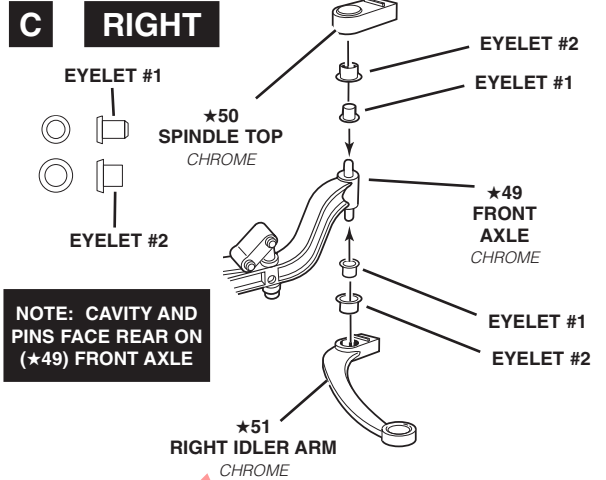


# 3

# BIG DEUCE FRAME ASSEMBLY CONTINUED



Cylinder Brake Line (Black) (3 1/2") x1

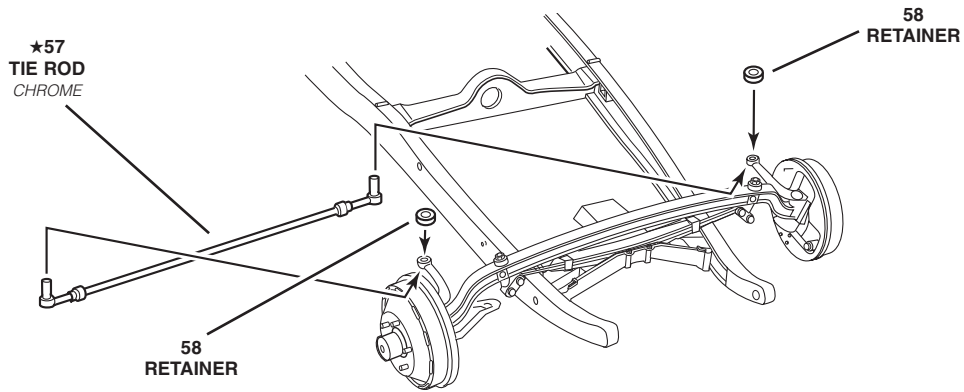




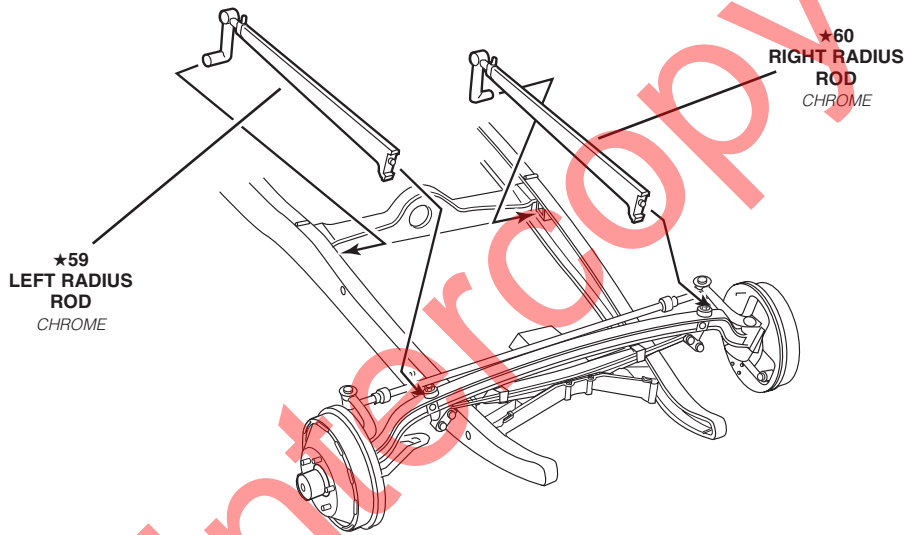
# 4

# BIG DEUCE FRONT END ASSEMBLY

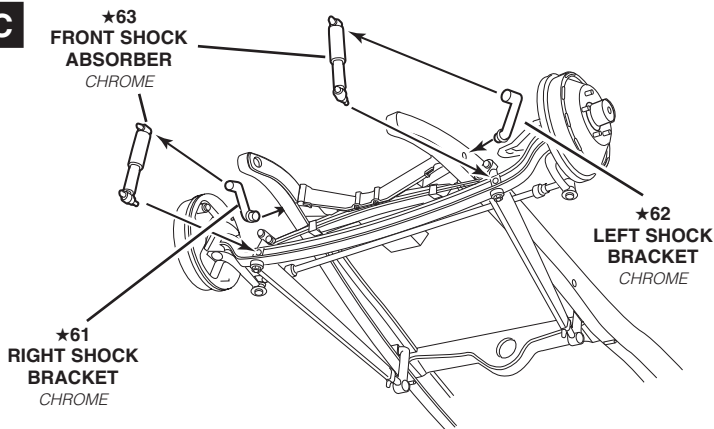
**A**



**B**



**C**



Front Brake Lines (Black) (2 1/4") x2

NOTE: BRAKE LINE CONNECTS FROM THE COMPLETED BRAKE DRUM TO THE FRAME AS SHOWN IN ILLUSTRATION

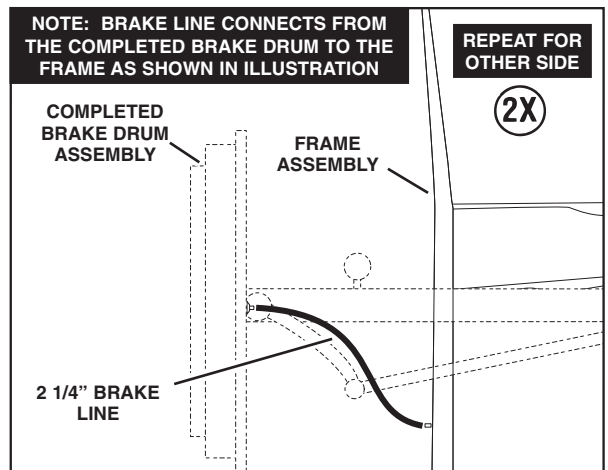
REPEAT FOR OTHER SIDE

COMPLETED BRAKE DRUM ASSEMBLY

FRAME ASSEMBLY

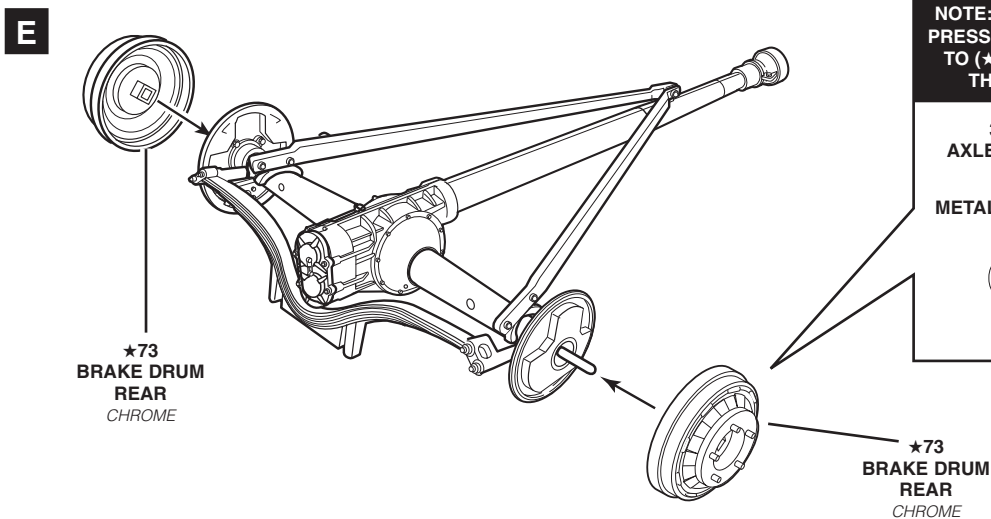
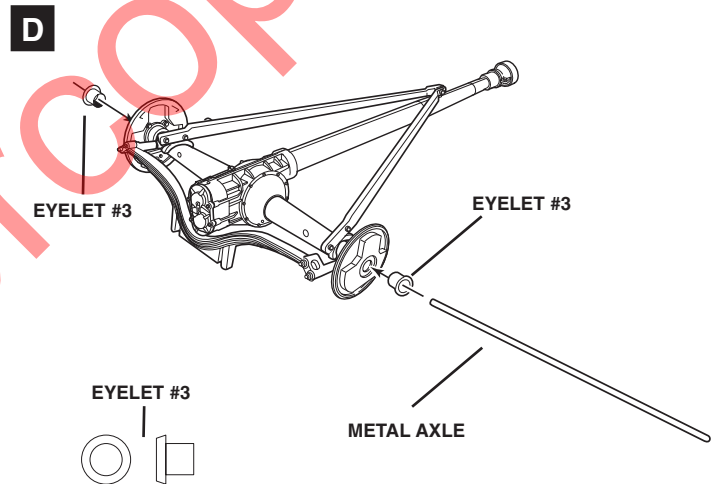
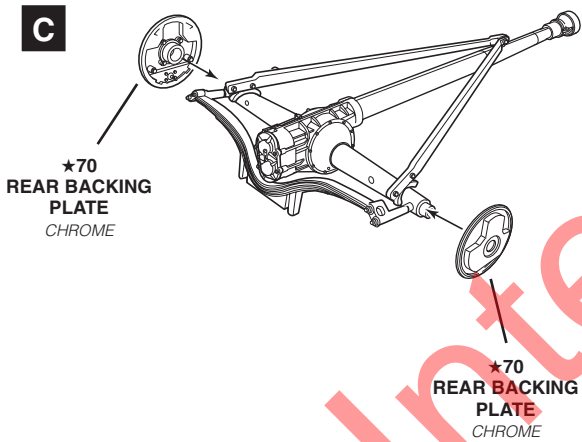
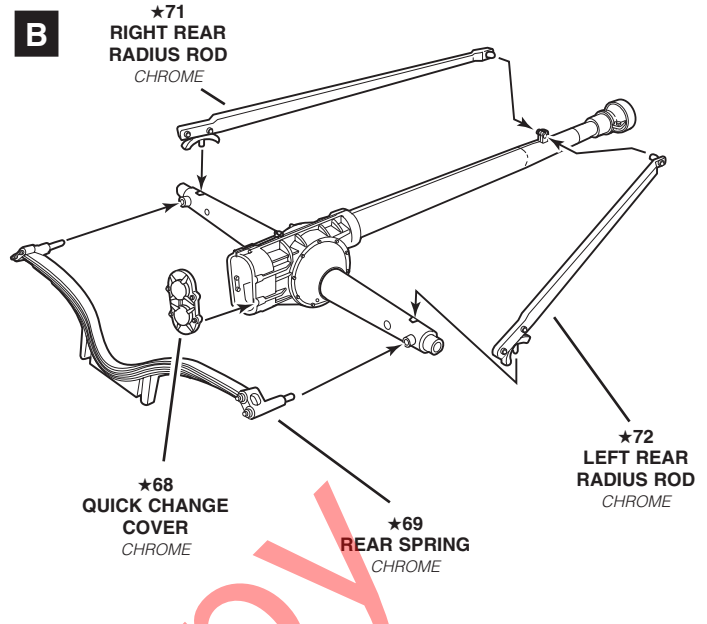
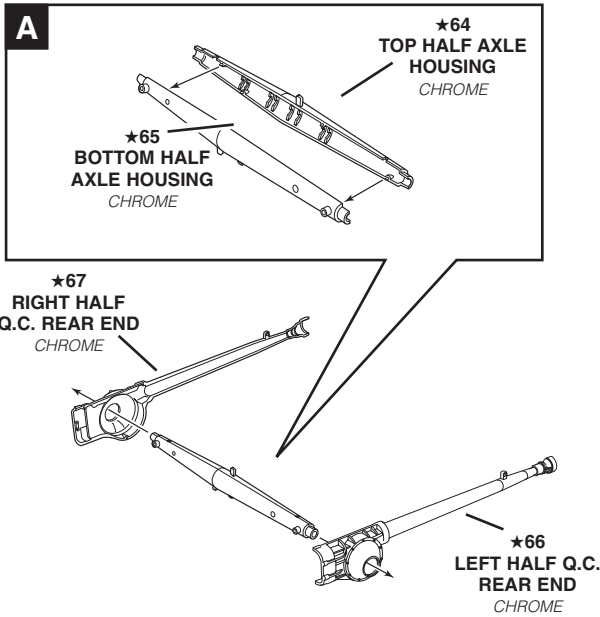
(2X)

2 1/4" BRAKE LINE



# 5

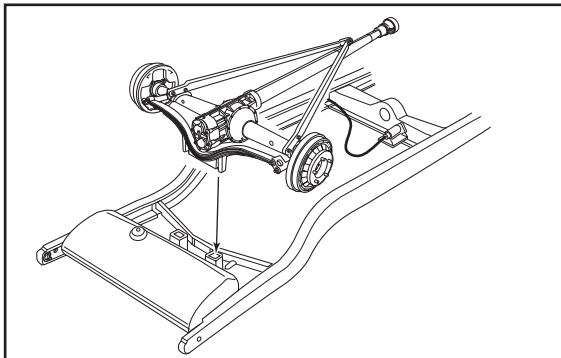
# BIG DEUCE REAR END ASSEMBLY



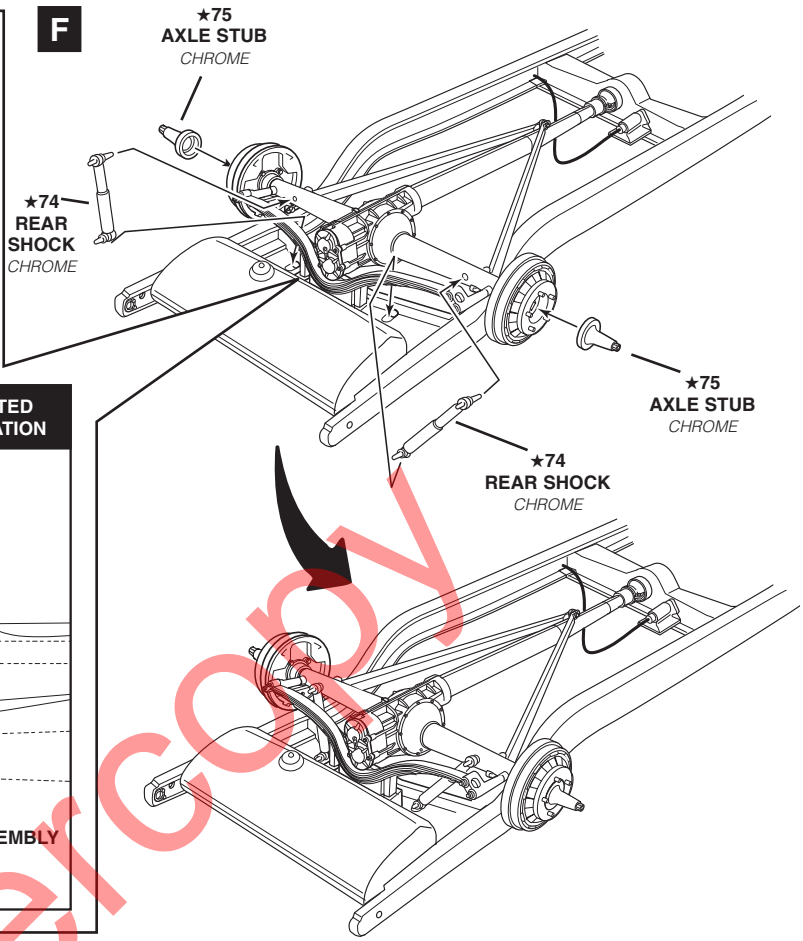
**NOTE: USE (35) AXLE TOOL TO PRESS METAL WHEEL RETAINER TO (★73) BRAKE DRUM REAR THROUGH METAL AXLE.**

35 AXLE TOOL

METAL RETAINER

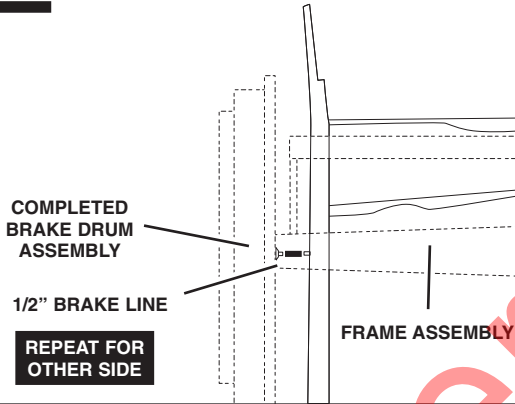


**F**

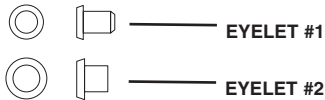
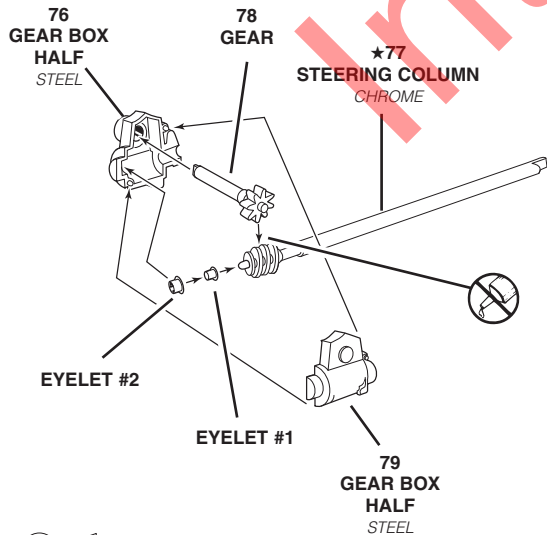
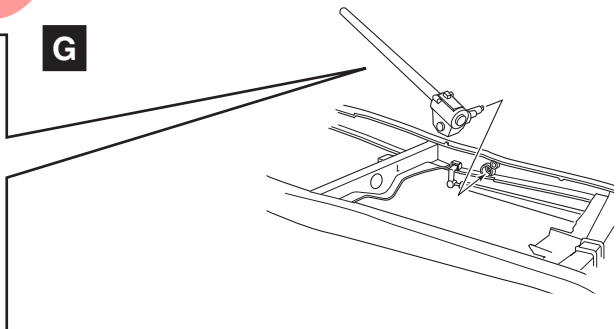


NOTE: BRAKE LINE CONNECTS FROM THE COMPLETED BRAKE DRUM TO THE FRAME AS SHOWN IN ILLUSTRATION

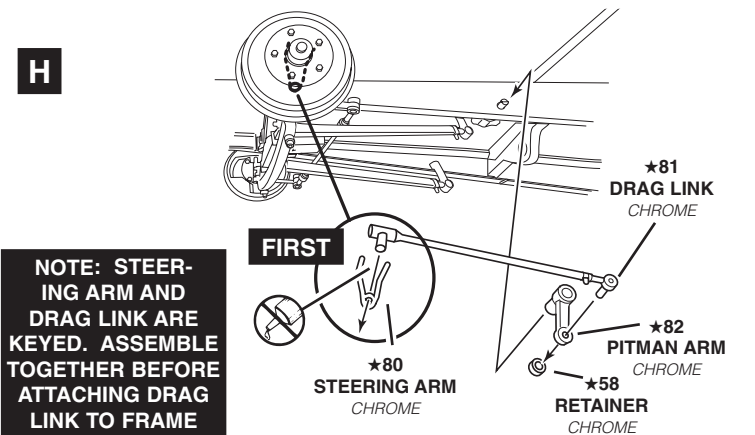
Rear Brake Lines (Black) (1/2") x2



**G**



**H**



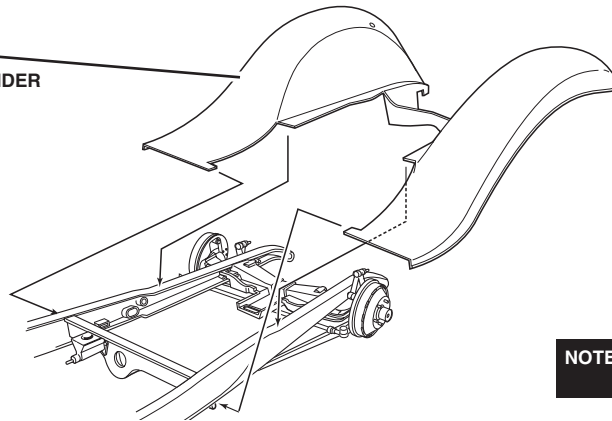
NOTE: STEERING ARM AND DRAG LINK ARE KEYED. ASSEMBLE TOGETHER BEFORE ATTACHING DRAG LINK TO FRAME

# 6

# BIG DEUCE BODY PAN ASSEMBLY

**A**

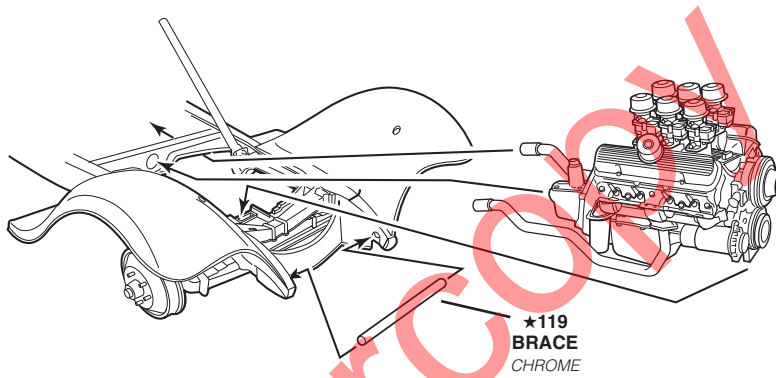
83  
FRONT FENDER



NOTE: STEERING COLUMN ASSEMBLY  
OMITTED FOR CLARITY

**B**

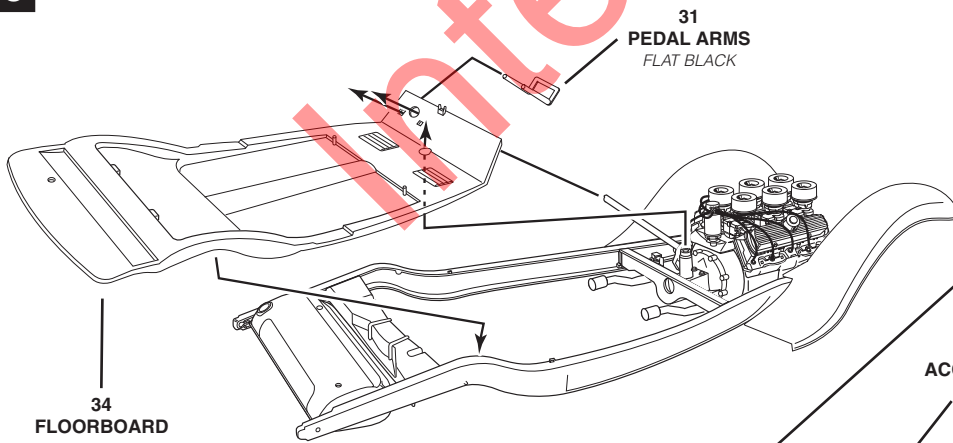
★119  
BRACE  
CHROME



**C**

31  
PEDAL ARMS  
FLAT BLACK

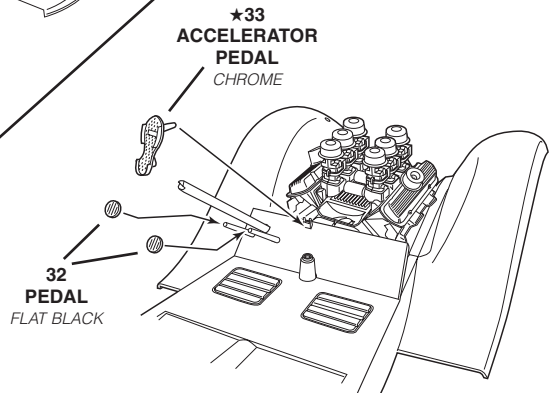
34  
FLOORBOARD



**D**

★33  
ACCELERATOR  
PEDAL  
CHROME

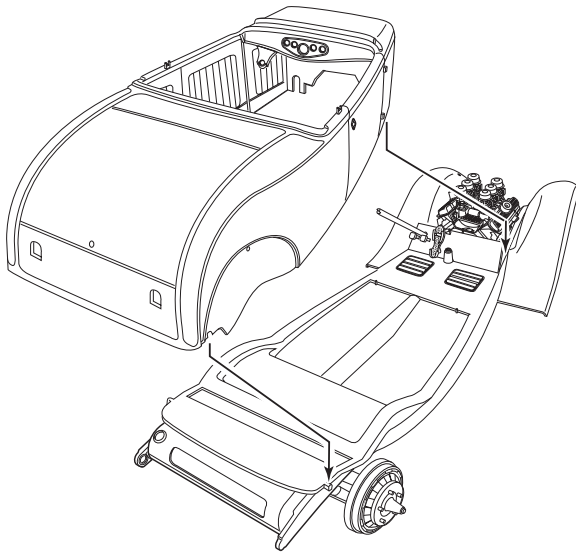
32  
PEDAL  
FLAT BLACK



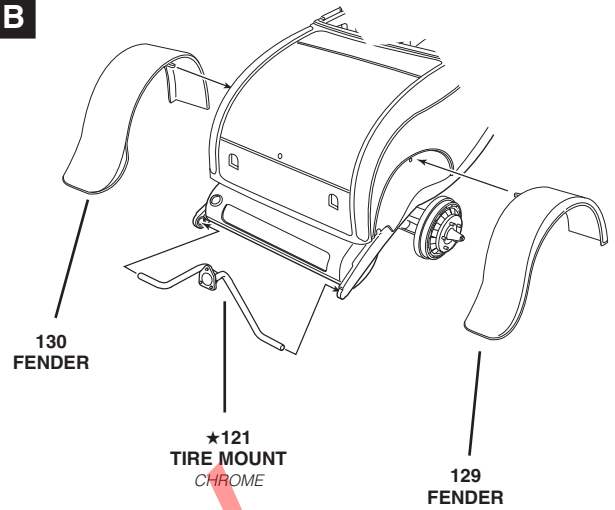
# 7

# BIG DEUCE FRAME AND BODY ASSEMBLY

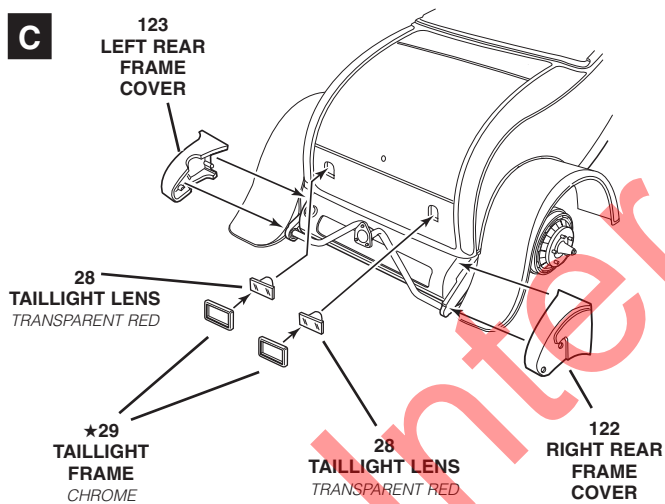
**A**



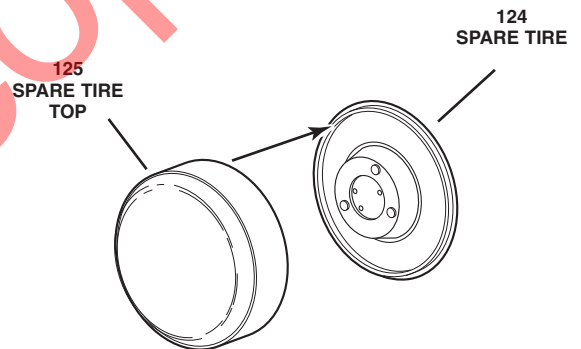
**B**



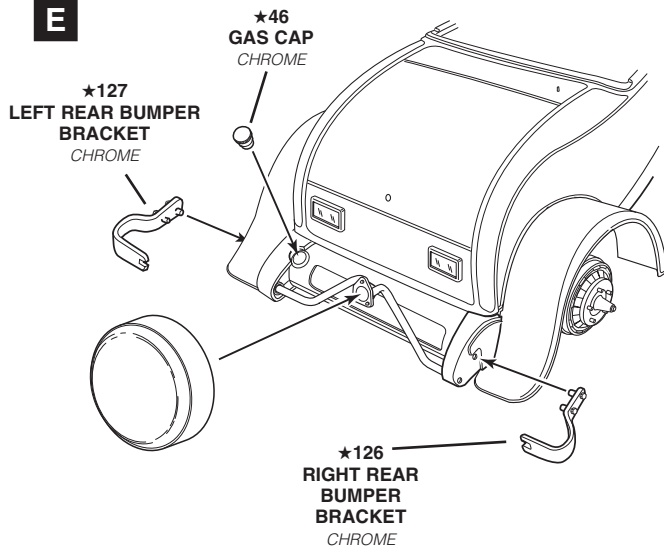
**C**



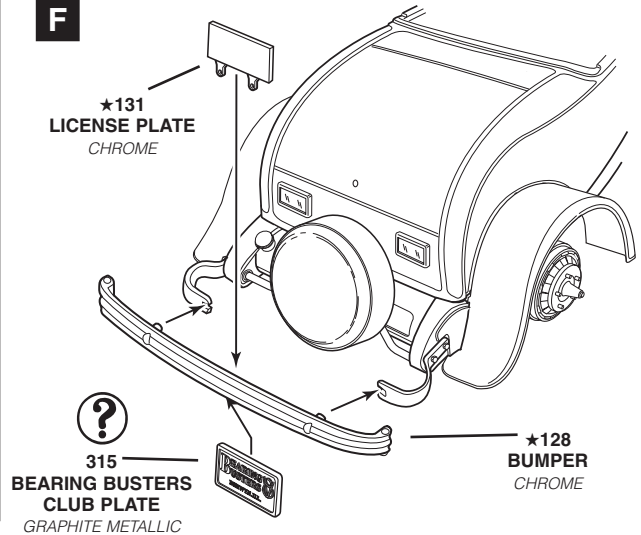
**D**



**E**



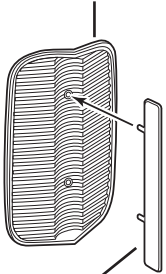
**F**





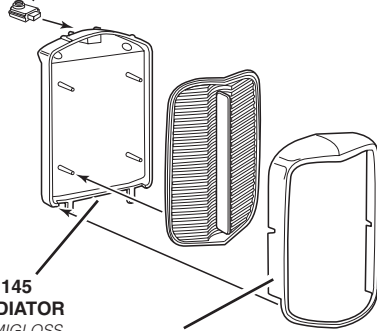
# BIG DEUCE GRILLE ASSEMBLY

**A** ★141  
CUSTOM GRILLE  
CHROME  
(PAINT GRILLE FACE  
SEMIGLOSS BLACK)



★140  
CUSTOM GRILLE  
BAR  
CHROME

**B** 143  
FILLER SPOUT  
SEMIGLOSS  
BLACK



145  
RADIATOR  
SEMIGLOSS  
BLACK  
(PAINT CORE  
FLAT BLACK)

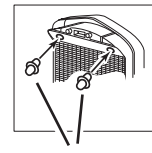
139  
GRILLE SHELL

**C**

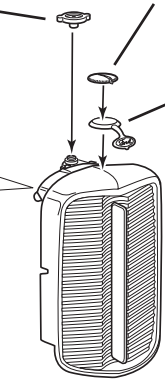
★142  
FILLER CAP  
CHROME

★147  
RADIATOR CAP  
CHROME

★146  
RADIATOR  
ORNAMENT  
CHROME



144  
OUTLET  
GLOSS BLACK



**D**

★175  
HOOD LATCH  
CHROME

★173  
CENTER HOOD  
STRIP  
CHROME

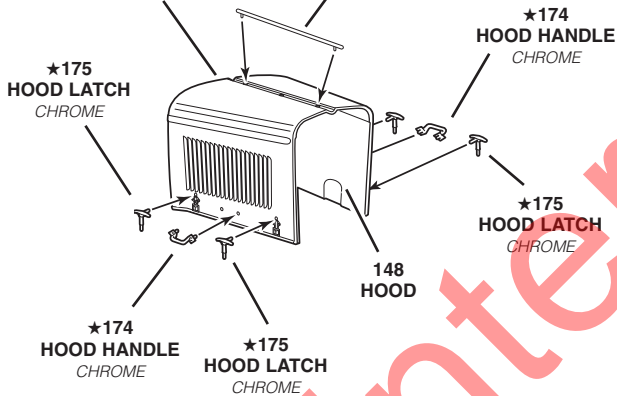
★174  
HOOD HANDLE  
CHROME

★175  
HOOD LATCH  
CHROME

★174  
HOOD HANDLE  
CHROME

★175  
HOOD LATCH  
CHROME

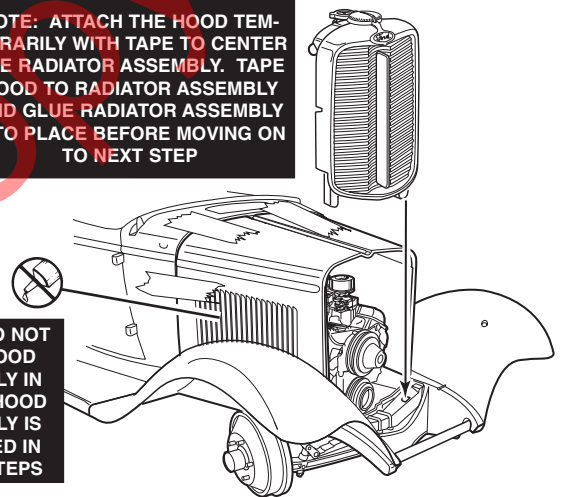
148  
HOOD



**E**

**NOTE: ATTACH THE HOOD TEMPORARILY WITH TAPE TO CENTER THE RADIATOR ASSEMBLY. TAPE HOOD TO RADIATOR ASSEMBLY AND GLUE RADIATOR ASSEMBLY INTO PLACE BEFORE MOVING ON TO NEXT STEP**

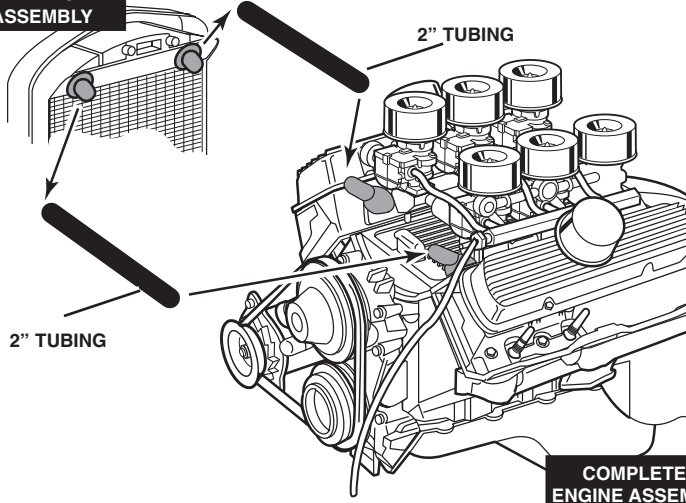
**NOTE: DO NOT GLUE HOOD ASSEMBLY IN PLACE. HOOD ASSEMBLY IS ATTACHED IN LATER STEPS**



Radiator Lines (Black) (2") x2

**F**

COMPLETED  
RADIATOR  
ASSEMBLY



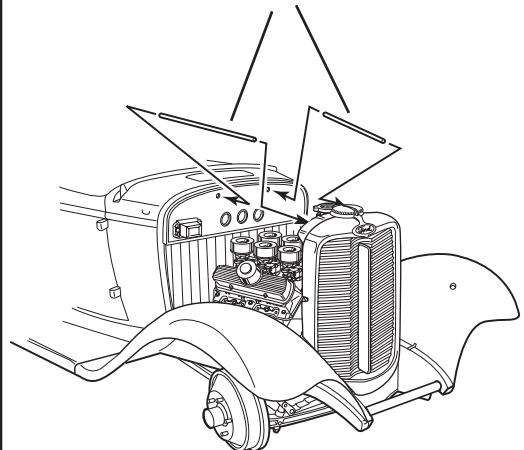
2" TUBING

2" TUBING

COMPLETED  
ENGINE ASSEMBLY

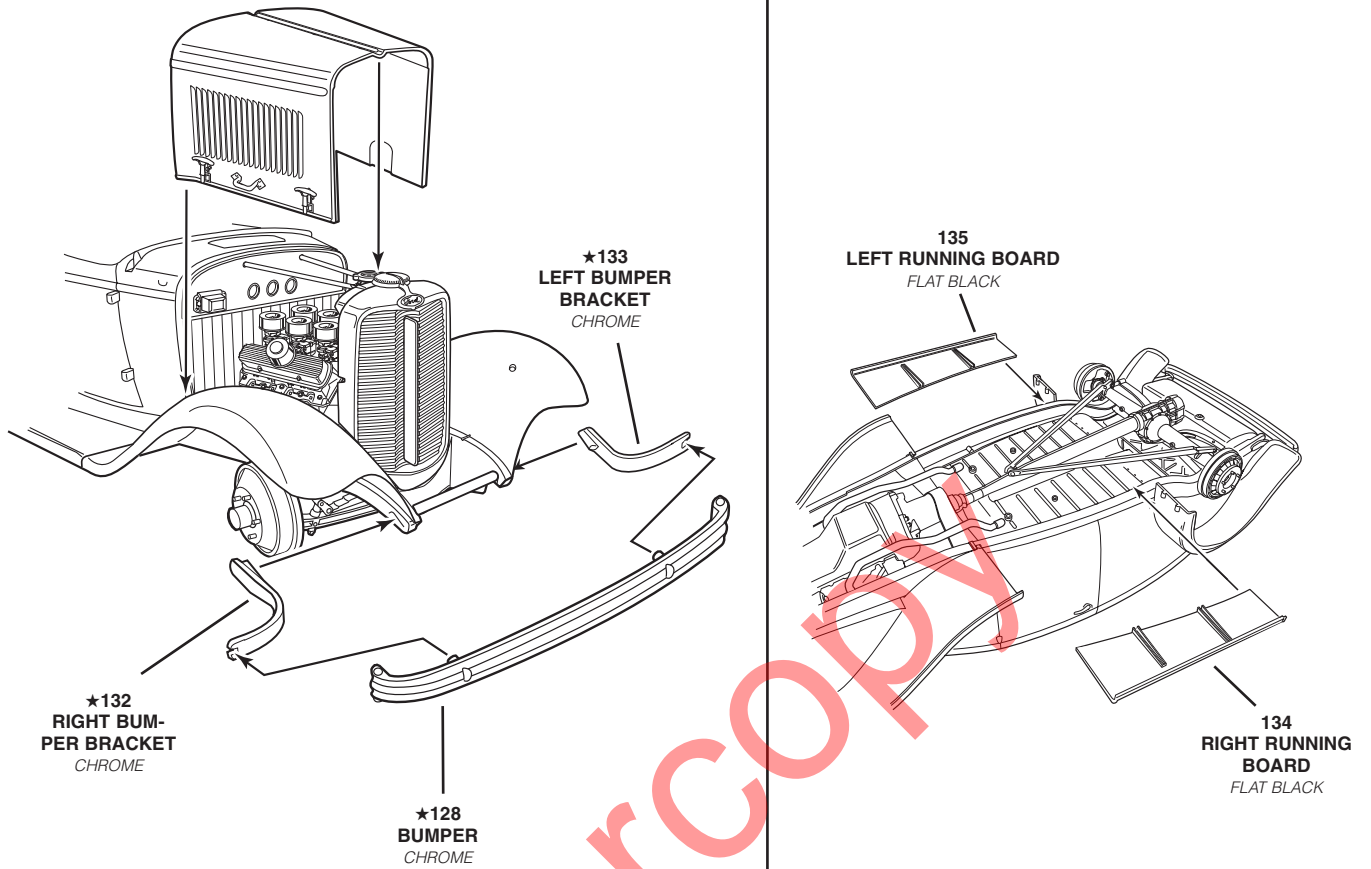
**G**

WIRE BRACES



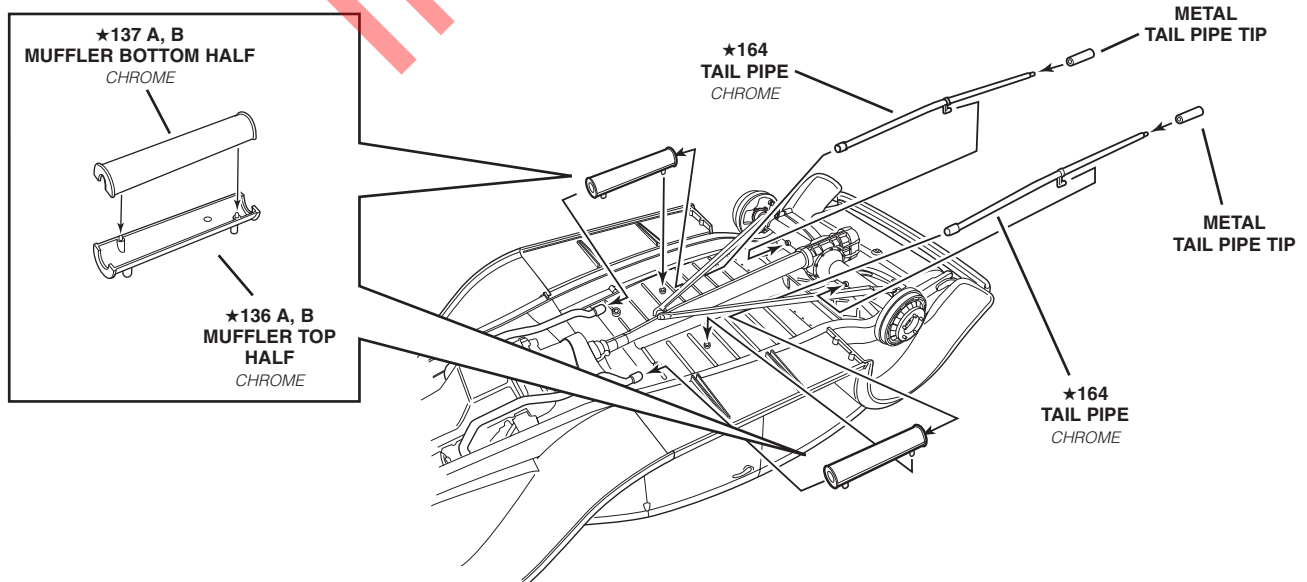
# 9

## BIG DEUCE FRONT BUMPER AND RUNNING BOARD ASSEMBLY



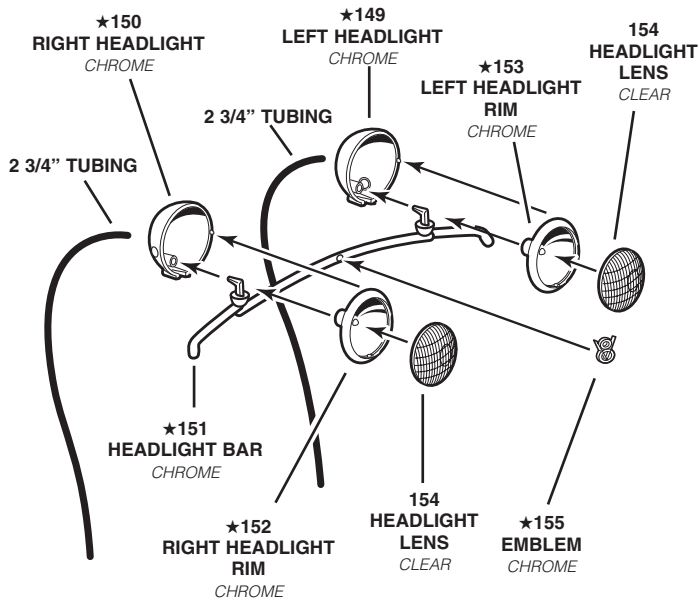
# 10

## BIG DEUCE EXHAUST ASSEMBLY

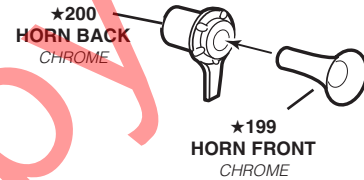
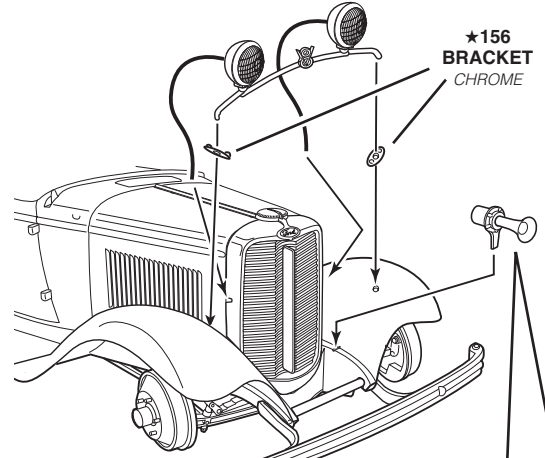


# 11

# BIG DEUCE HEADLIGHT ASSEMBLY

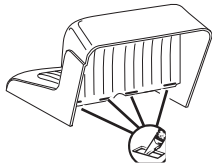
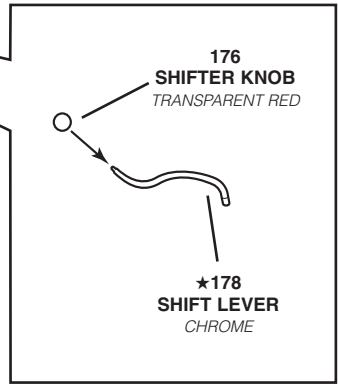
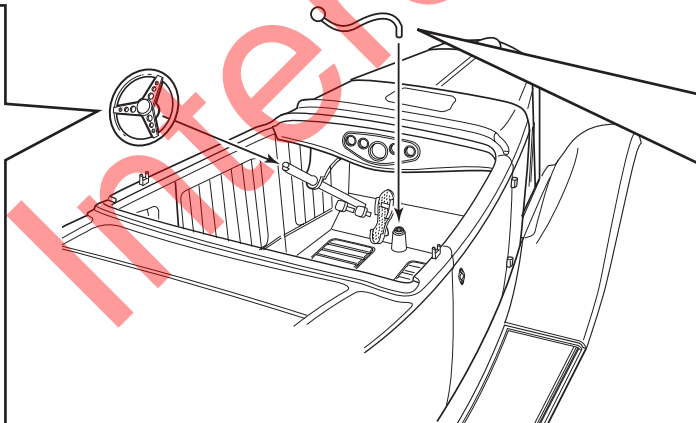
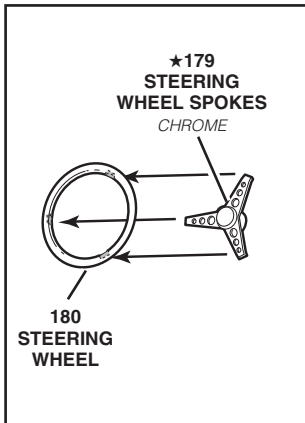


Headlight Lines (Black) (2 3/4") x2

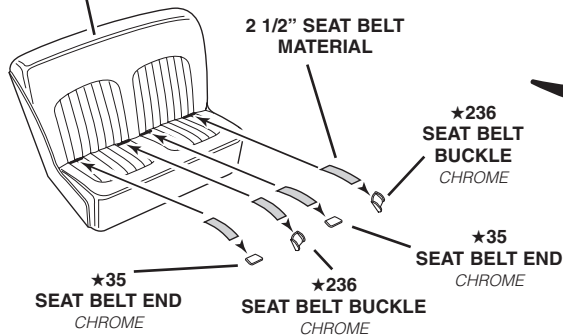


# 12

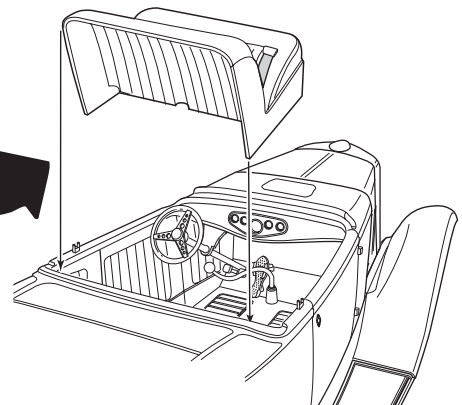
# BIG DEUCE INTERIOR TUB ASSEMBLY

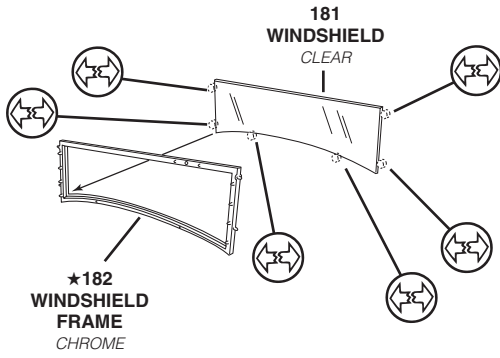
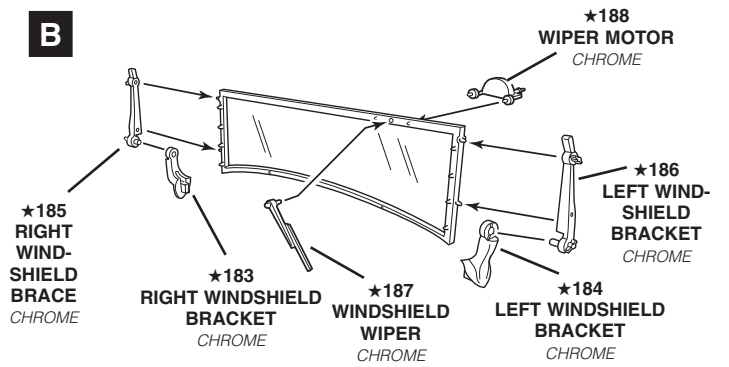
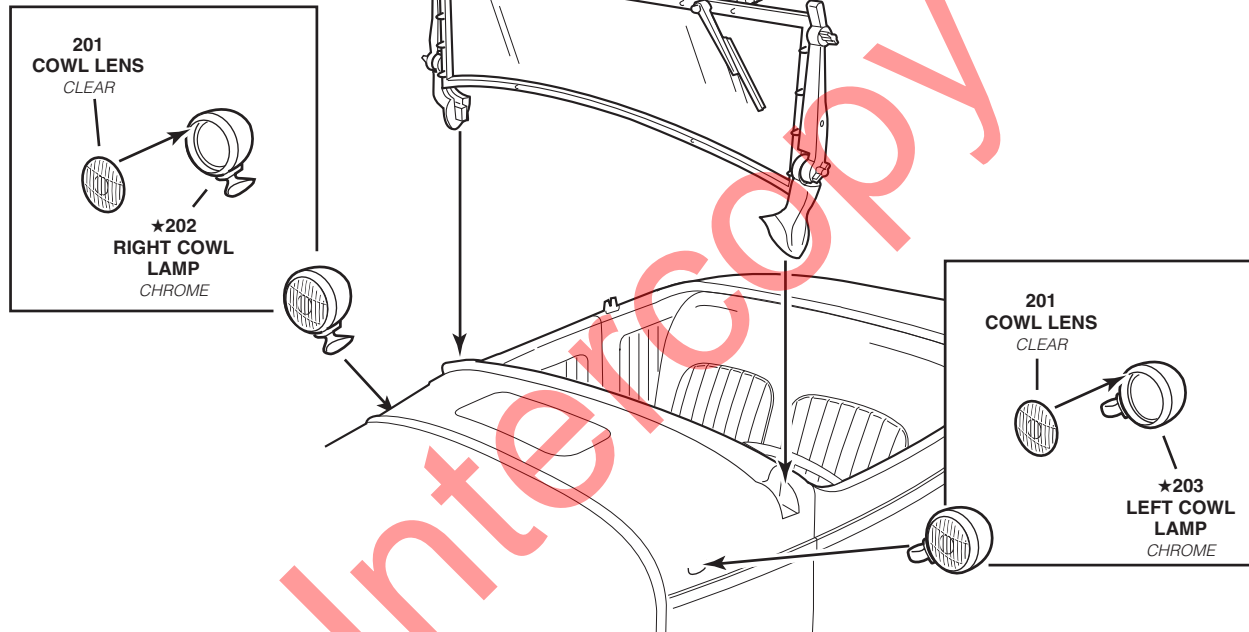
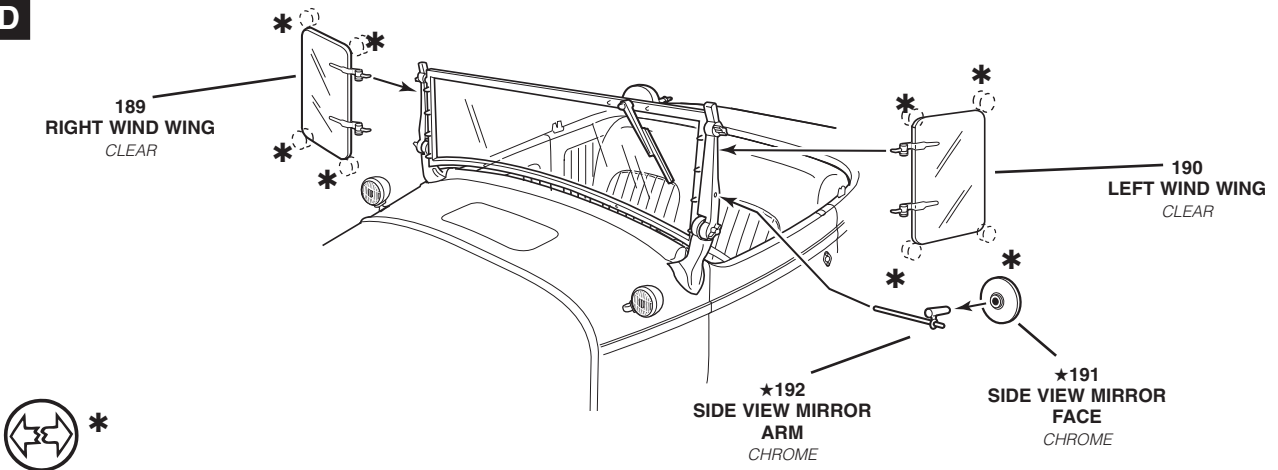


Seat Belt Fabric Material (2 1/2") x4



NOTE: SEAT BELTS ARE OPTIONAL

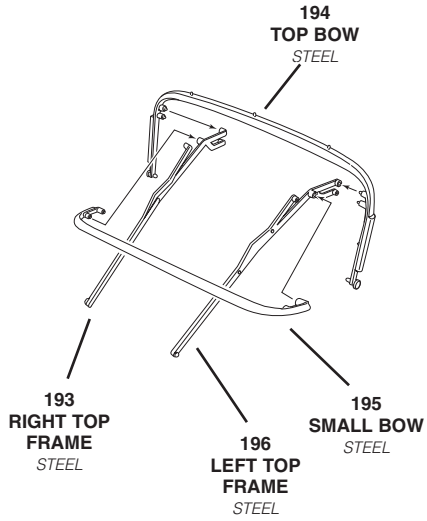


**A****B****C****D**

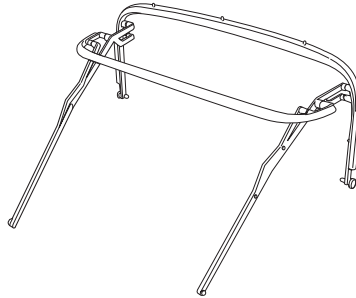
# 14

# BIG DEUCE RAG TOP ASSEMBLY

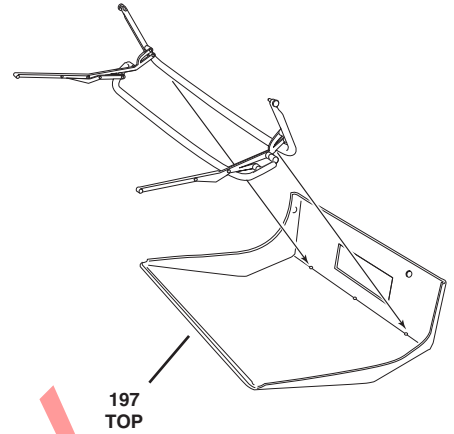
**A**



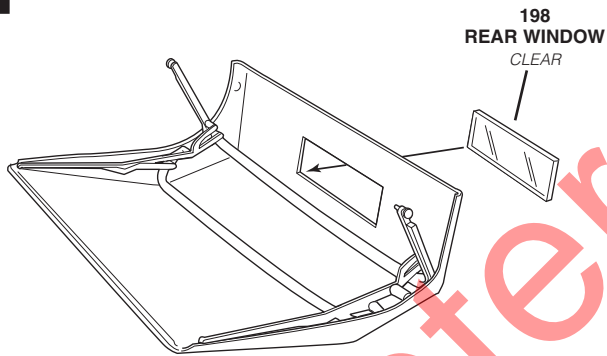
**B**



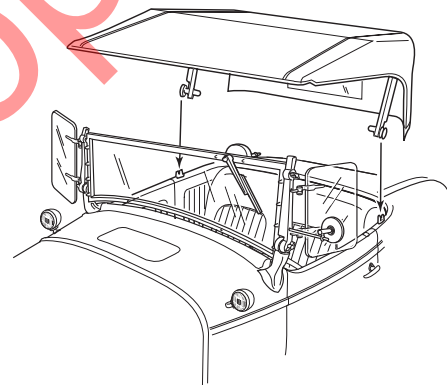
**C**



**D**

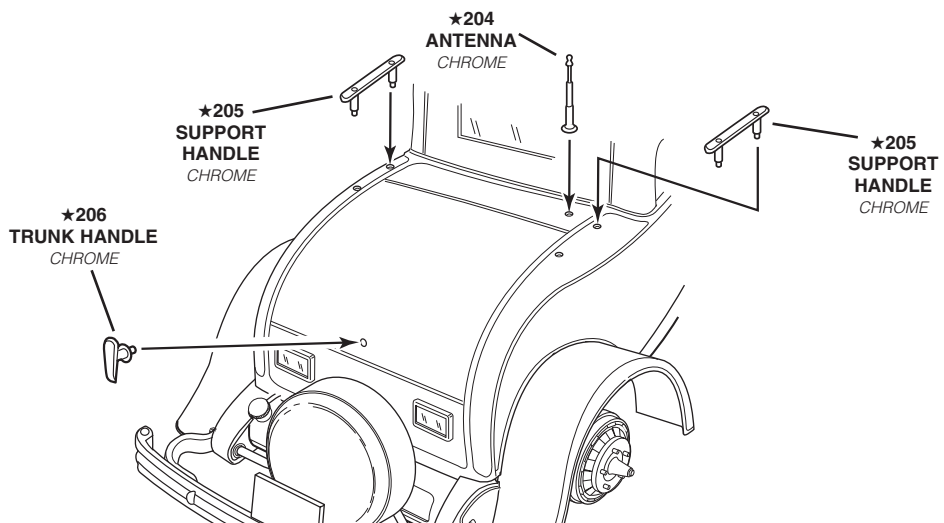


**E**



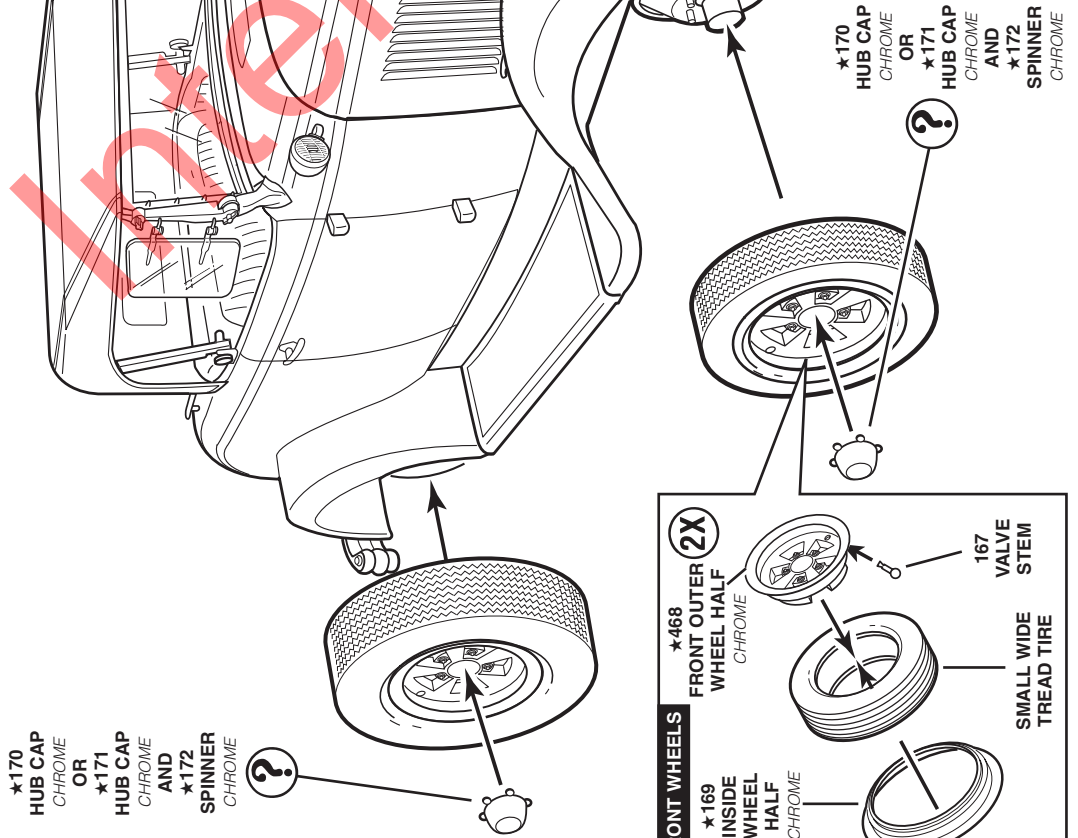
# 15

# FINAL DETAIL ASSEMBLY





★170 HUB CAP CHROME OR ★171 HUB CAP CHROME AND ★172 SPINNER CHROME



FRONT WHEELS

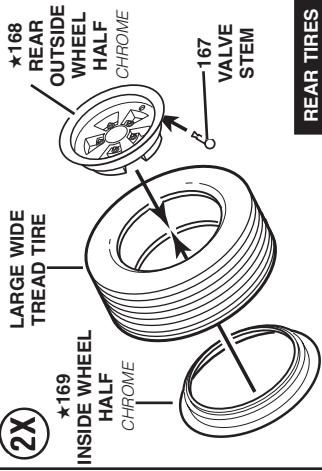
★468 FRONT OUTER WHEEL HALF CHROME

★169 INSIDE WHEEL HALF CHROME

★167 VALVE STEM

SMALL WIDE TREAD TIRE

★170 HUB CAP CHROME OR ★171 HUB CAP CHROME AND ★172 SPINNER CHROME



2X

★169 INSIDE WHEEL HALF CHROME

★168 REAR WHEEL OUTSIDE HALF CHROME

★167 VALVE STEM

REAR TIRES

★170 HUB CAP CHROME OR ★171 HUB CAP CHROME AND ★172 SPINNER CHROME



★170 HUB CAP CHROME OR ★171 HUB CAP CHROME AND ★172 SPINNER CHROME

★170 HUB CAP CHROME OR ★171 HUB CAP CHROME AND ★172 SPINNER CHROME

★170 HUB CAP CHROME OR ★171 HUB CAP CHROME AND ★172 SPINNER CHROME

★170 HUB CAP CHROME OR ★171 HUB CAP CHROME AND ★172 SPINNER CHROME

★170 HUB CAP CHROME OR ★171 HUB CAP CHROME AND ★172 SPINNER CHROME

★170 HUB CAP CHROME OR ★171 HUB CAP CHROME AND ★172 SPINNER CHROME

★170 HUB CAP CHROME OR ★171 HUB CAP CHROME AND ★172 SPINNER CHROME

★170 HUB CAP CHROME OR ★171 HUB CAP CHROME AND ★172 SPINNER CHROME

★170 HUB CAP CHROME OR ★171 HUB CAP CHROME AND ★172 SPINNER CHROME

★170 HUB CAP CHROME OR ★171 HUB CAP CHROME AND ★172 SPINNER CHROME

★170 HUB CAP CHROME OR ★171 HUB CAP CHROME AND ★172 SPINNER CHROME

★170 HUB CAP CHROME OR ★171 HUB CAP CHROME AND ★172 SPINNER CHROME

★170 HUB CAP CHROME OR ★171 HUB CAP CHROME AND ★172 SPINNER CHROME

★170 HUB CAP CHROME OR ★171 HUB CAP CHROME AND ★172 SPINNER CHROME

★170 HUB CAP CHROME OR ★171 HUB CAP CHROME AND ★172 SPINNER CHROME

★170 HUB CAP CHROME OR ★171 HUB CAP CHROME AND ★172 SPINNER CHROME

★170 HUB CAP CHROME OR ★171 HUB CAP CHROME AND ★172 SPINNER CHROME

	★170 HUB CAP CHROME
	★172 SPINNER CHROME
	★171 HUB CAP CHROME

Intake Manifold Lines (Black) (9/16") x3

■ Fuel Lines (Red Tint) - Short (5/16") x3

■ Fuel Lines (Red Tint) - Medium (1 5/16") x3

■ Fuel Line (Red Tint) - Long (3 9/16") x1

Spark Plug Wires (Red) 1 & 2 (7 9/16") x1

Spark Plug Wires (Red) 7 & 8 (5 5/8") x1

Spark Plug Wires (Red) 3 & 4 (6 5/8") x1

Spark Plug Wires (Red) 5 & 6 (5 15/16") x1

■ Spark Plug Connectors (Black) (1/8") x8

■ Cylinder Brake Line (Black) (3 1/2") x1

■ Front Brake Lines (Black) (2 1/4") x2

■ Rear Brake Lines (Black) (1/2") x2

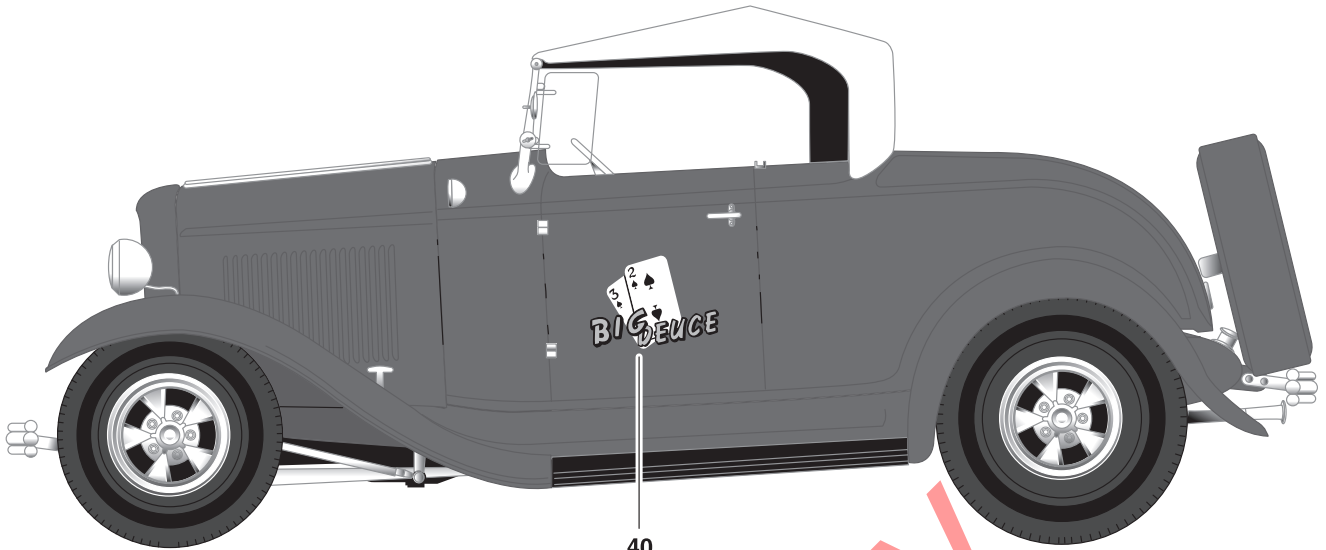
Radiator Lines (Black) (2") x2

■

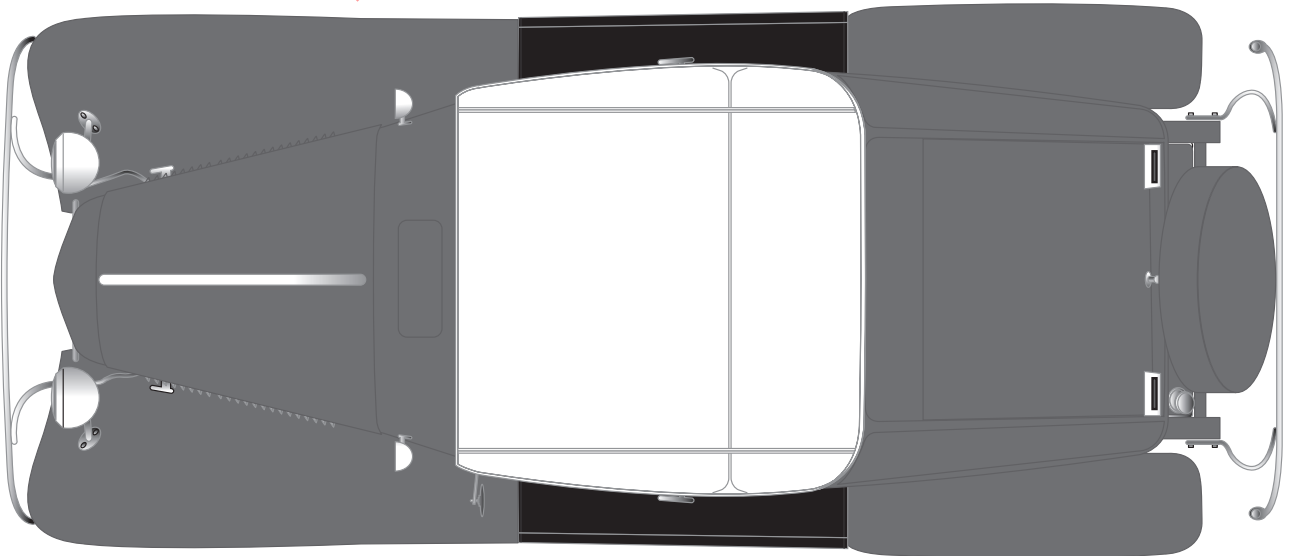
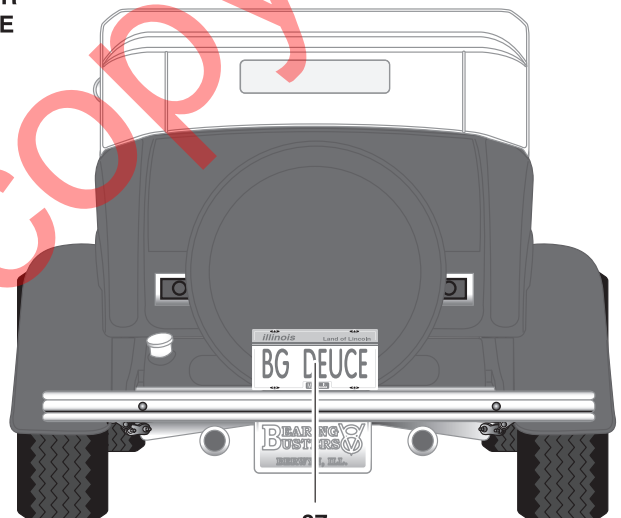
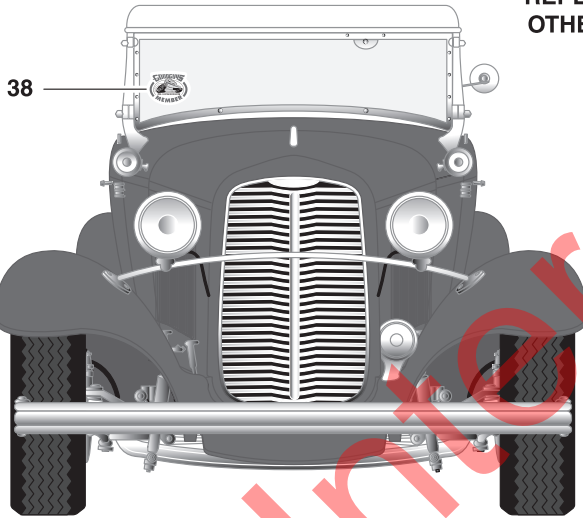
Headlight Lines (Black) (2 3/4") x2

Seat Belt Fabric Material (2 1/2") x4

■

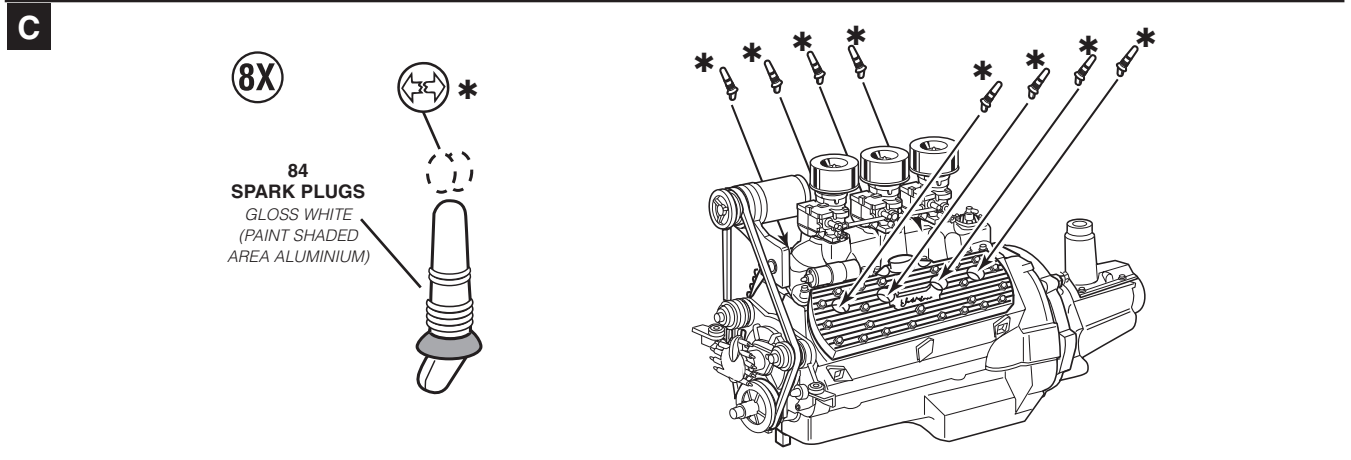
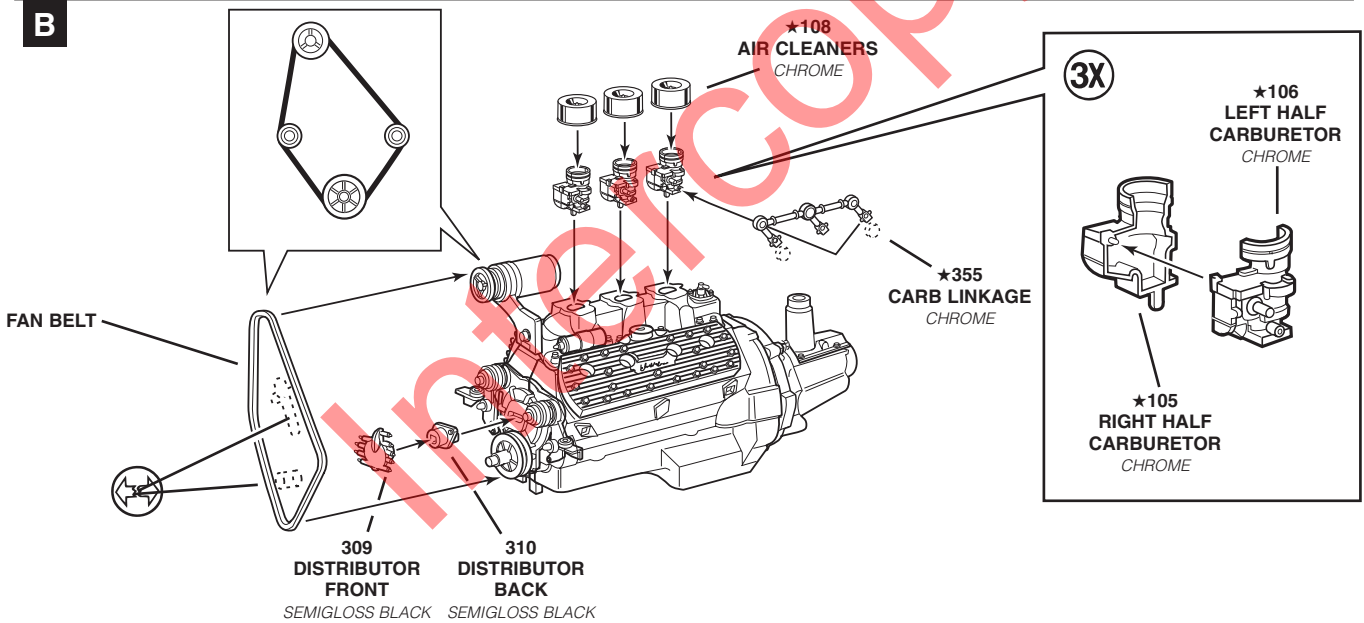
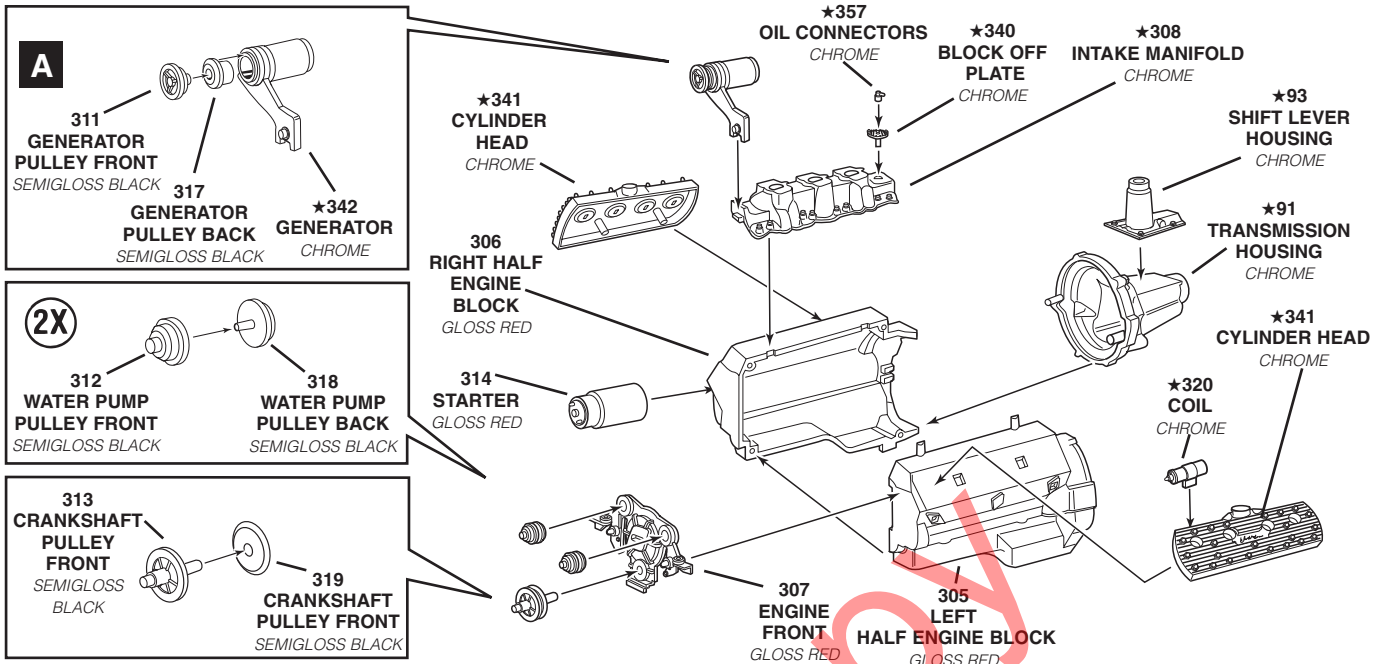


40  
REPEAT FOR  
OTHER SIDE



# 1

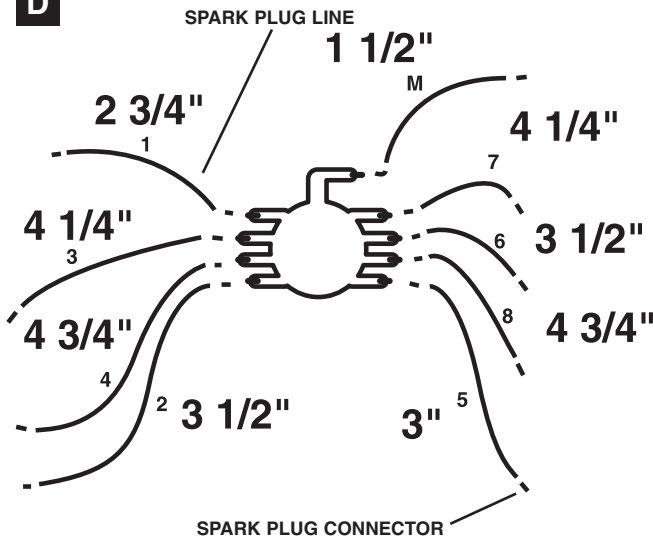
# HIGHBOY ENGINE ASSEMBLY



# 1

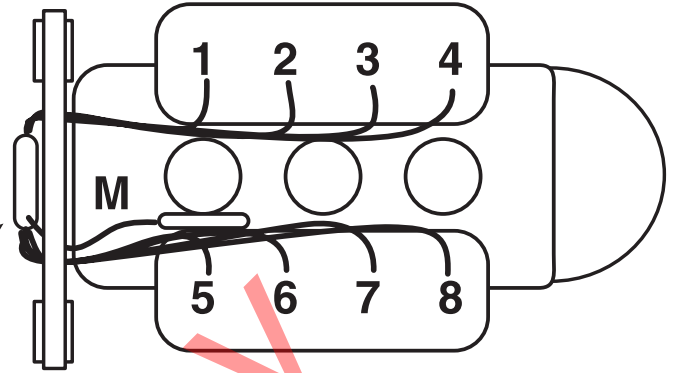
# HIGHBOY ENGINE ASSEMBLY CONTINUED

**D**



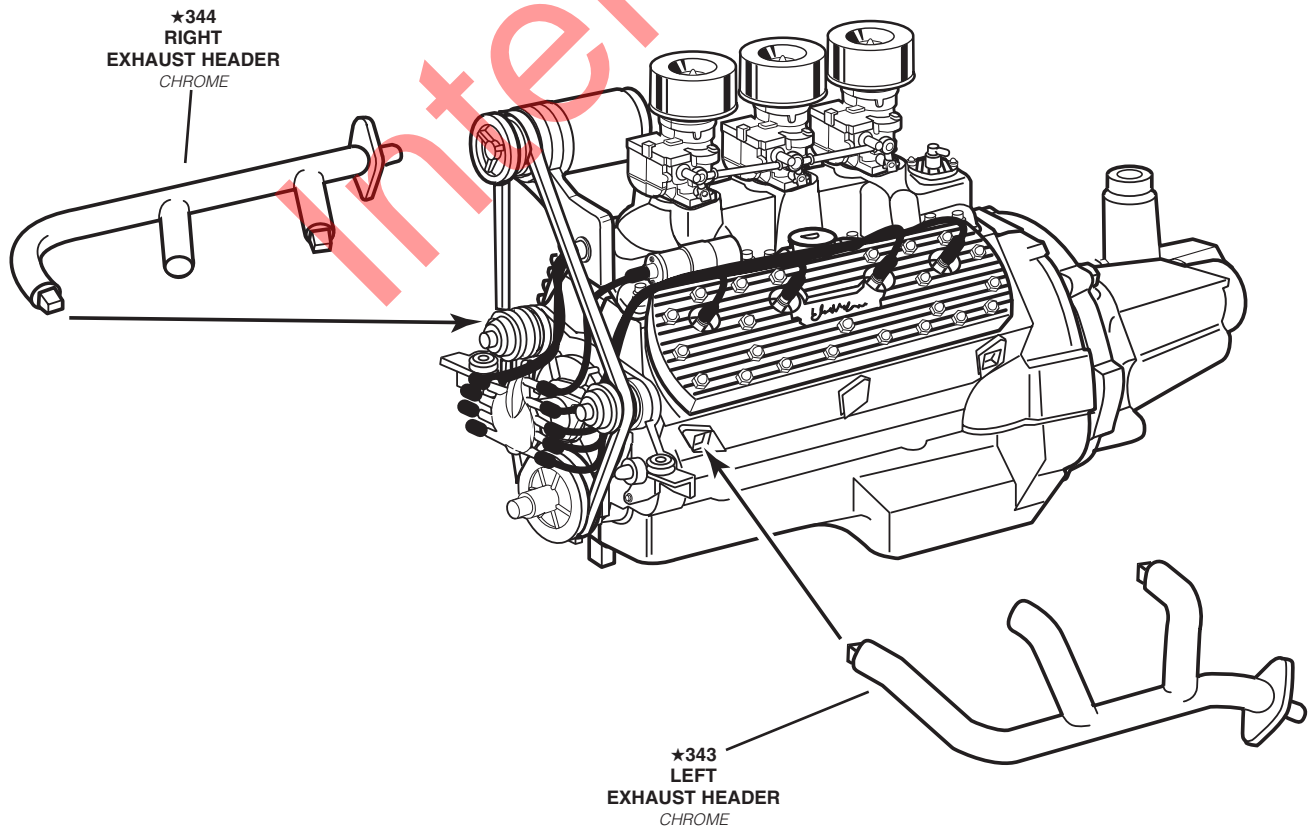
NOTE: SEE DETAILS ON LAST PAGE OF THIS SECTION OF THE INSTRUCTION MANUAL FOR INFORMATION ON SPARK PLUG LINES AND SPARK PLUG CONNECTORS

NOTE: IF THE SPARK PLUG CONNECTORS ARE TOO SMALL TO FIT THE DIAMETER OF THE PINS ON THE ENGINE USE A PENCIL TIP TO SPREAD SPARK PLUG CONNECTORS BEFORE ATTACHING TO PINS OR SPARK PLUG LINES



**E**

NOTE: ADJUST SPARK PLUG LINES BEHIND THE FAN BELT AS SHOWN

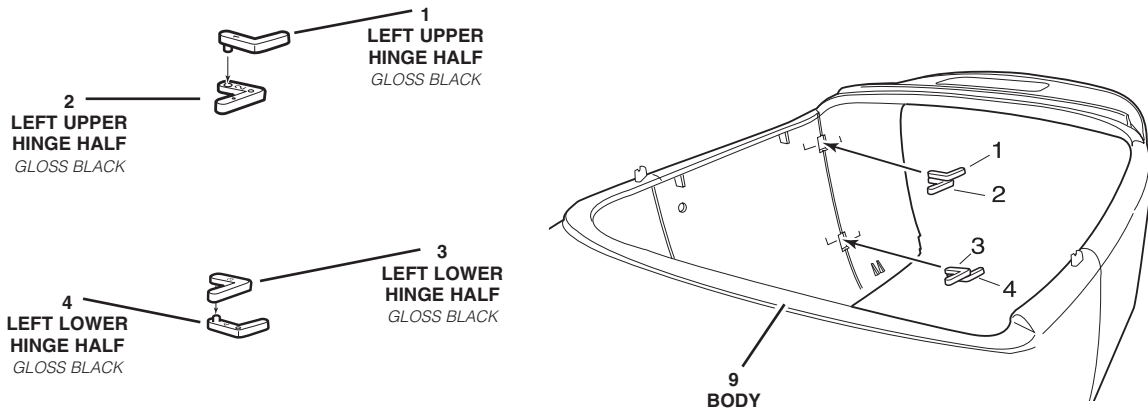




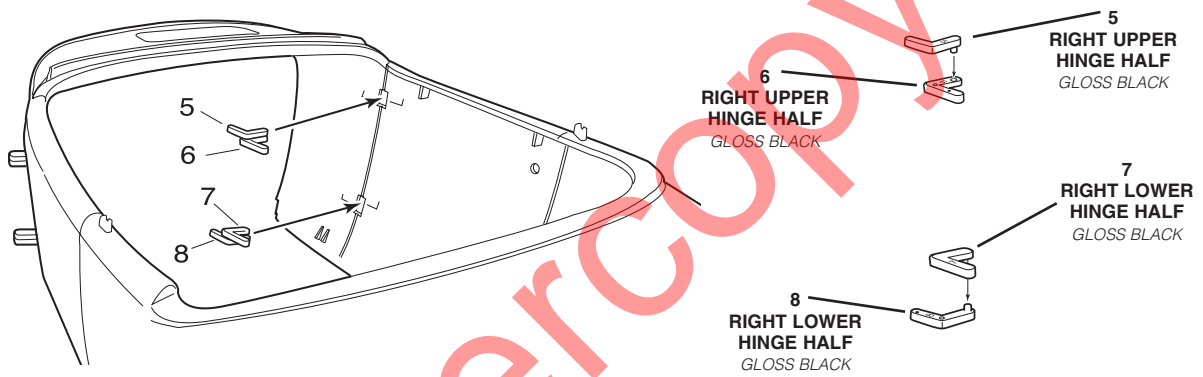
# 2

# HIGHBOY BODY ASSEMBLY

**A**

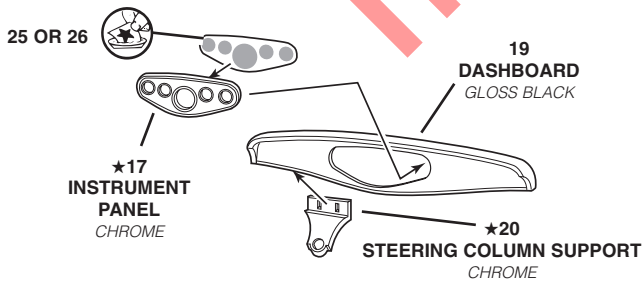


**B**

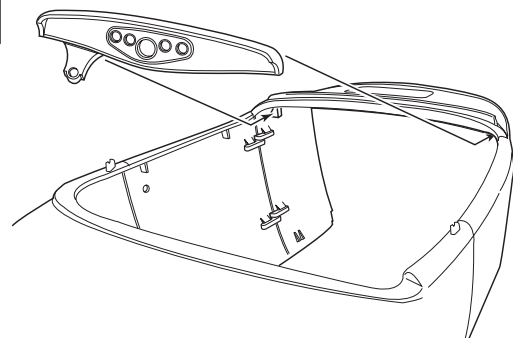


**C**

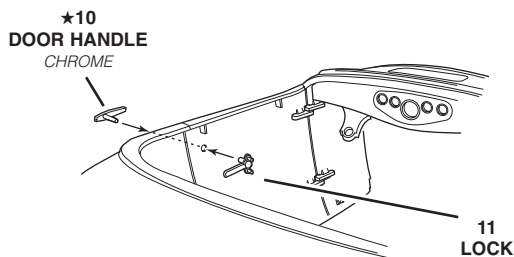
**NOTE: CUT DECAL FROM PAPER BUT DO NOT SLIDE FROM PAPER BACKING. GLUE TO THE BACK OF THE INSTRUMENT PANEL**



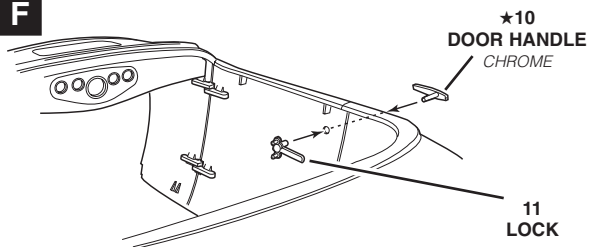
**D**



**E**



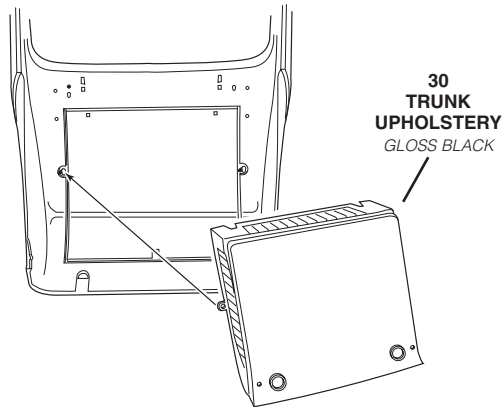
**F**



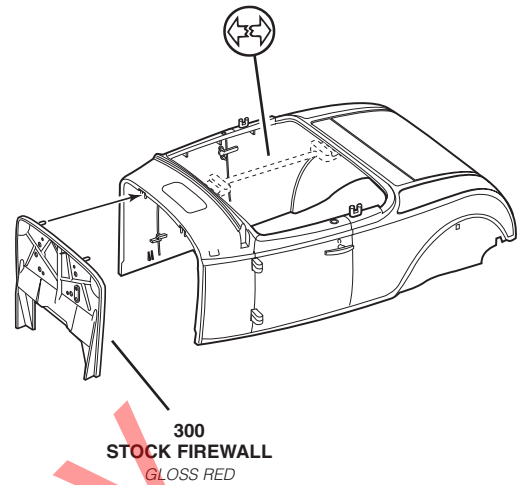
# 2

# HIGHBOY BODY ASSEMBLY CONTINUED

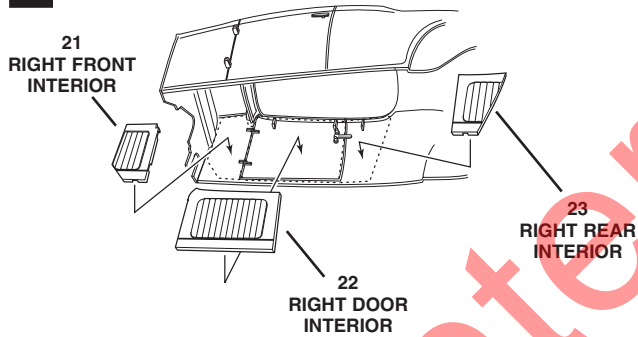
**G**



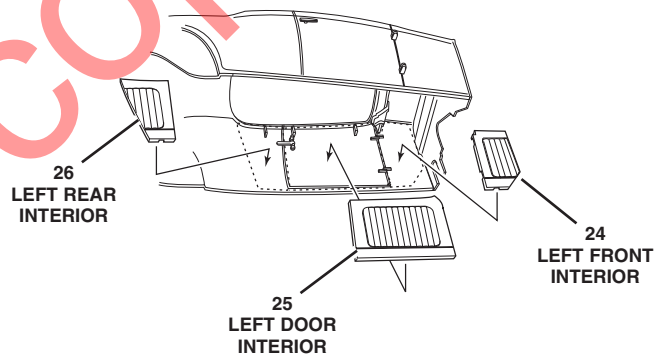
**H**



**I**



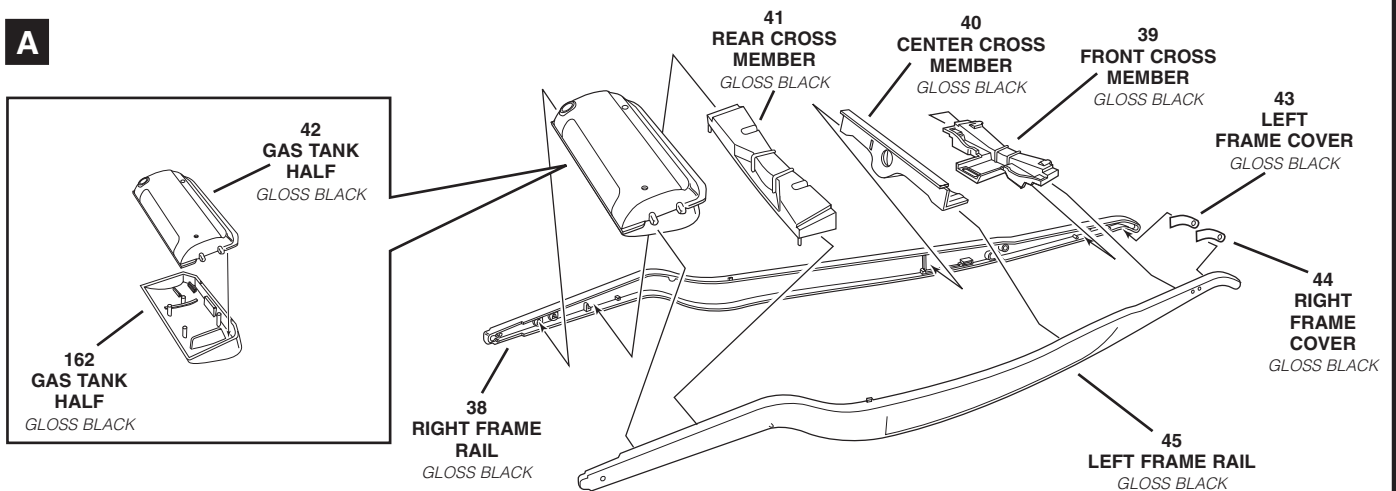
**J**



# 3

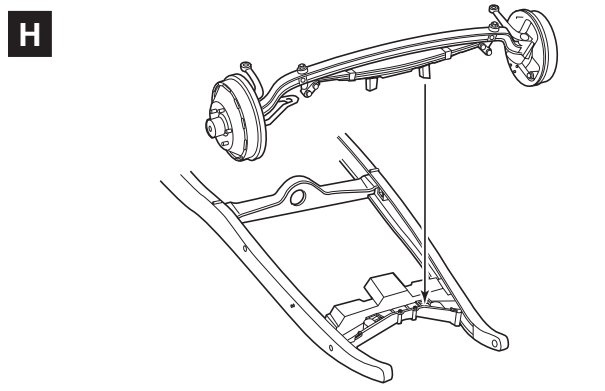
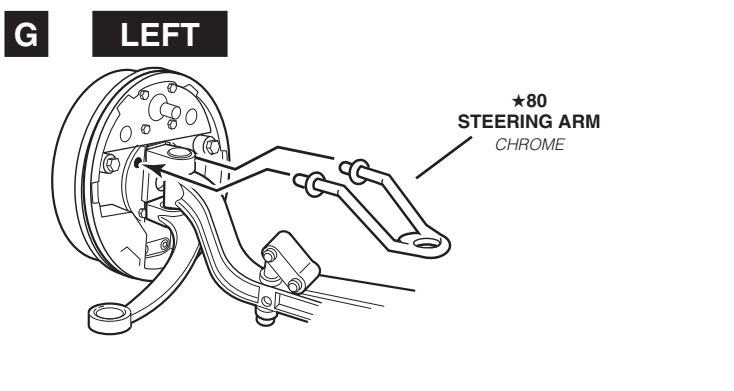
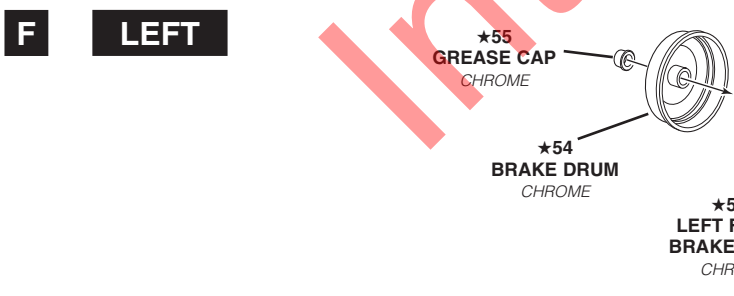
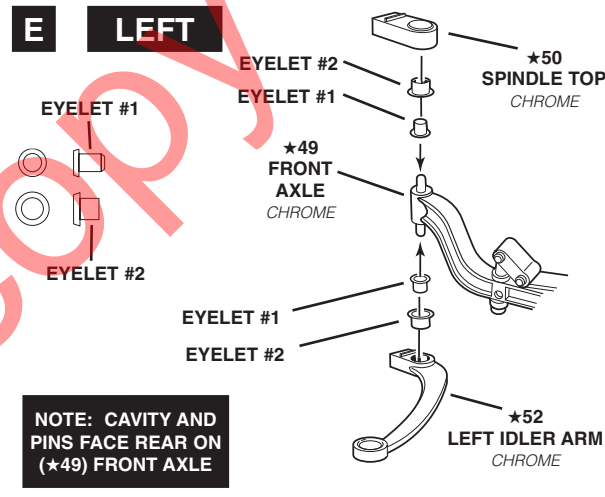
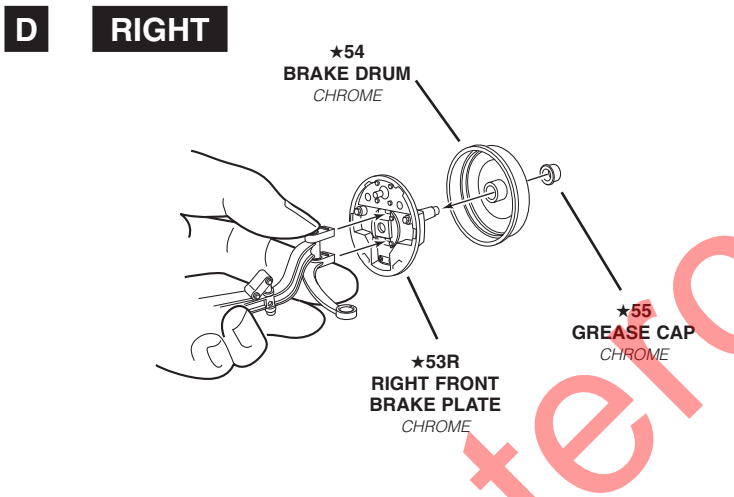
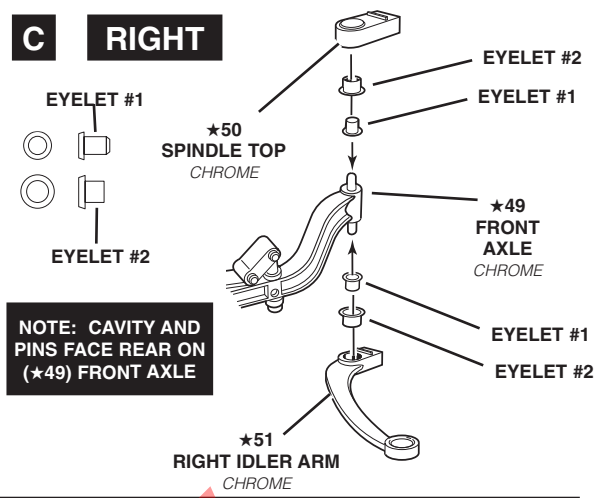
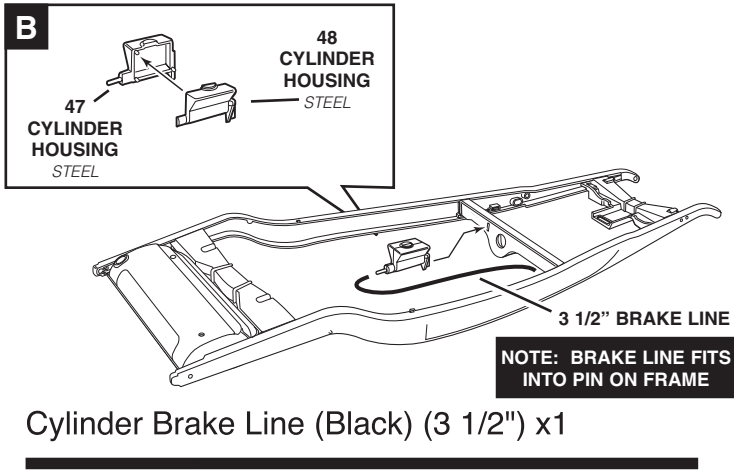
# HIGHBOY FRAME ASSEMBLY

**A**



# 3

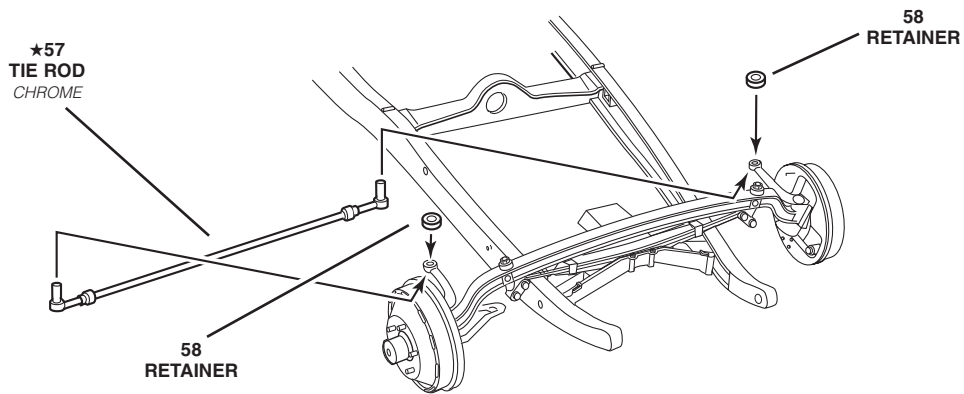
# HIGHBOY FRAME ASSEMBLY CONTINUED



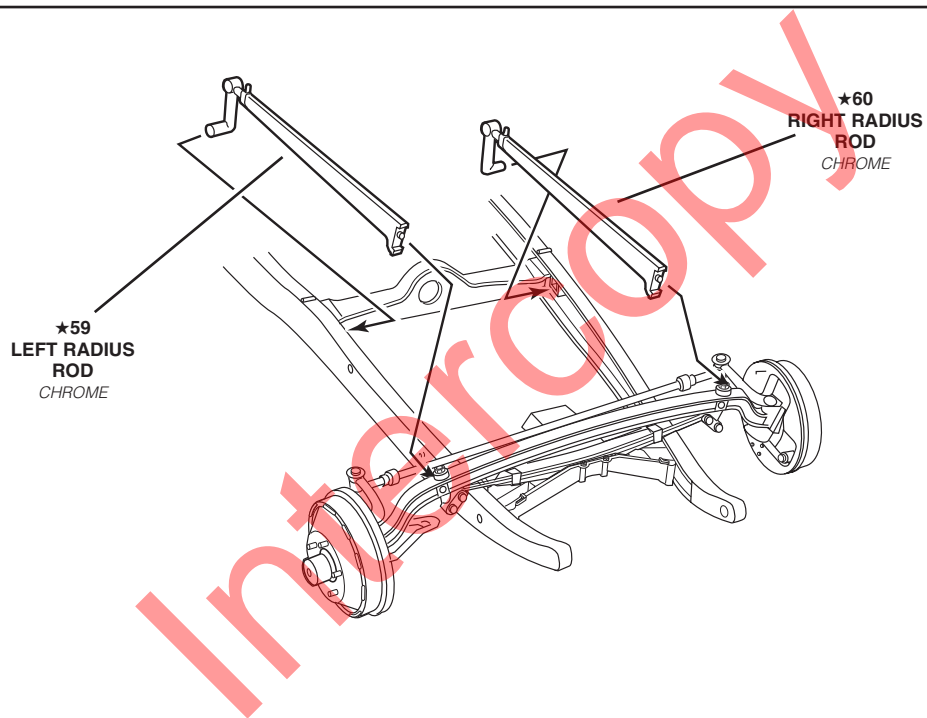
# 4

# HIGHBOY FRONT END ASSEMBLY

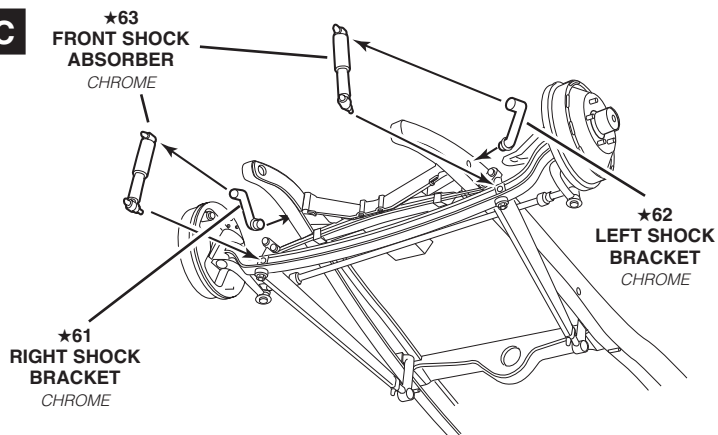
**A**



**B**



**C**



Front Brake Lines (Black) (2 1/4") x2

NOTE: BRAKE LINE CONNECTS FROM THE COMPLETED BRAKE DRUM TO THE FRAME AS SHOWN IN ILLUSTRATION

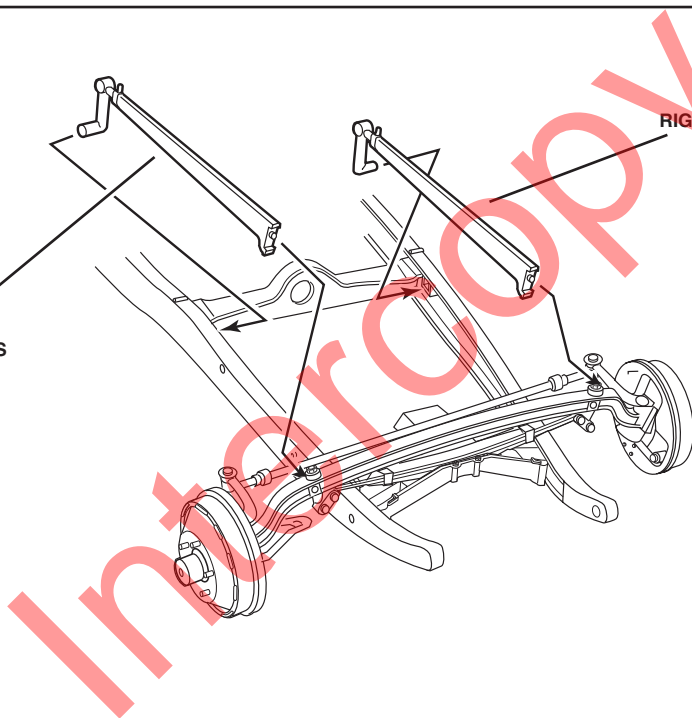
REPEAT FOR OTHER SIDE

COMPLETED BRAKE DRUM ASSEMBLY

FRAME ASSEMBLY

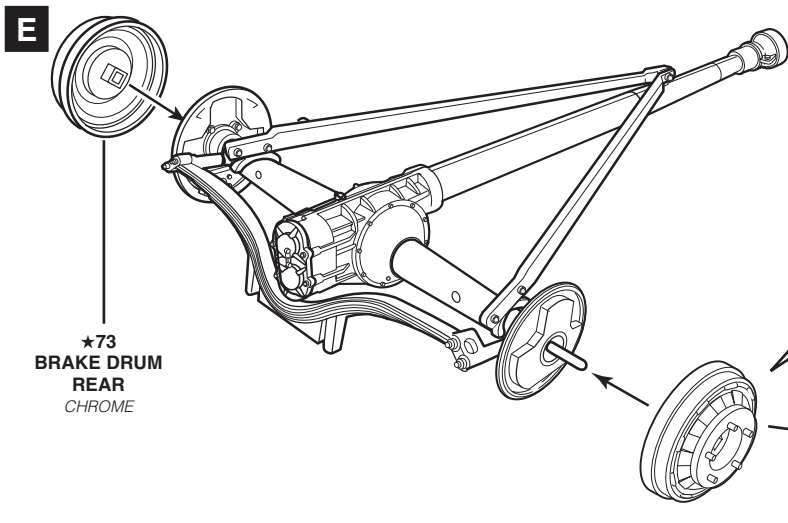
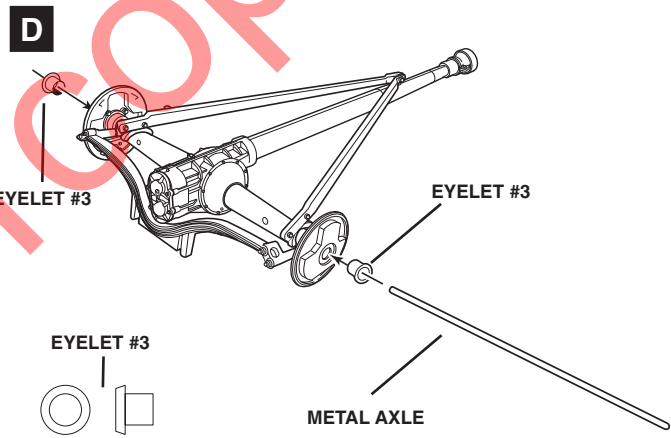
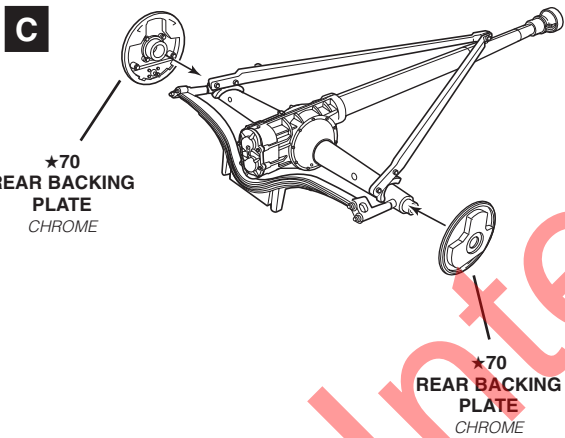
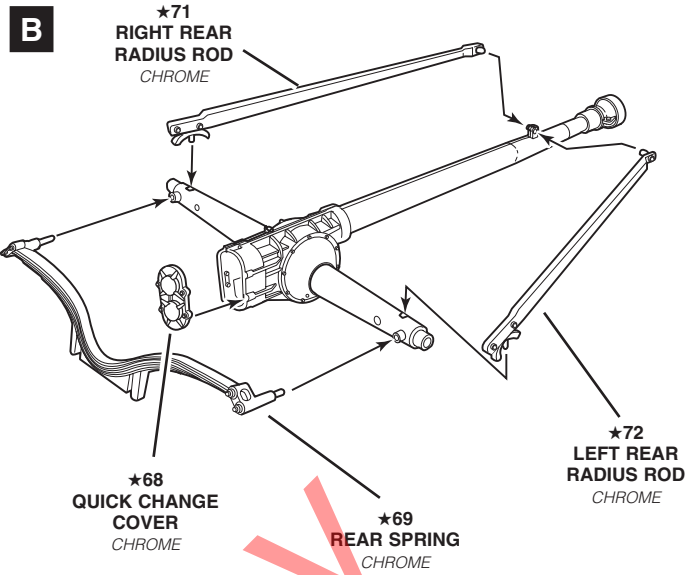
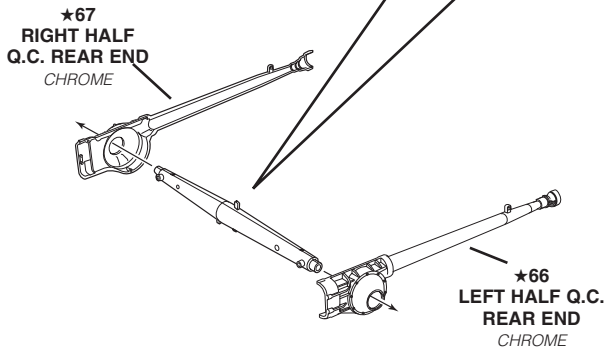
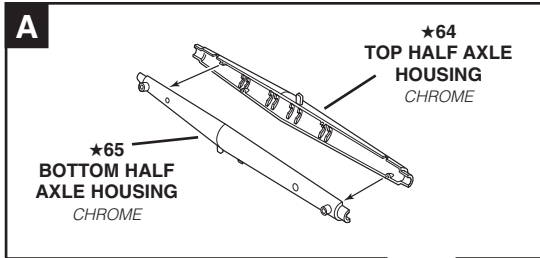
(2X)

2 1/4" BRAKE LINE



# 5

# HIGHBOY REAR END ASSEMBLY



**NOTE: USE (35) AXLE TOOL TO PRESS METAL WHEEL RETAINER TO (★73) BRAKE DRUM REAR THROUGH METAL AXLE.**

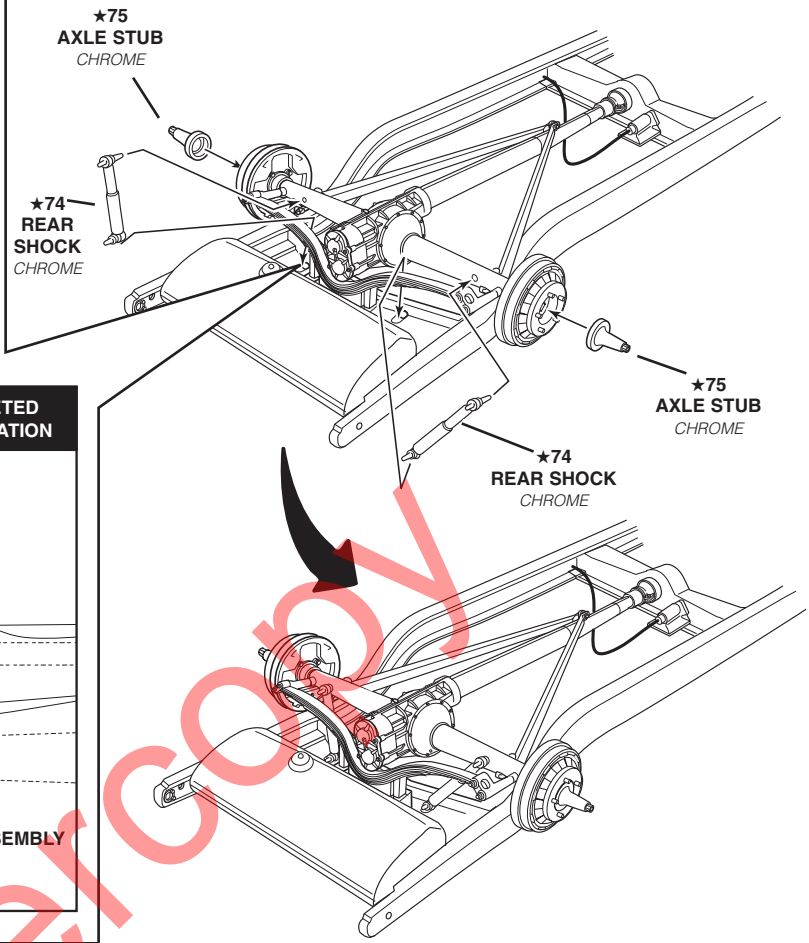
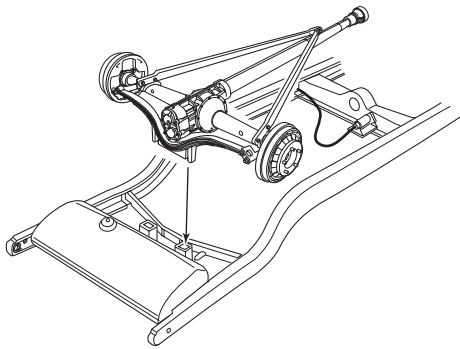
35 AXLE TOOL

METAL RETAINER

This diagram provides a close-up view of the installation process. It shows a metal wheel retainer being pressed onto the brake drum (★73) using a 35 axle tool. The tool is shown being inserted through the metal axle to push the retainer into place.



**F**



NOTE: BRAKE LINE CONNECTS FROM THE COMPLETED BRAKE DRUM TO THE FRAME AS SHOWN IN ILLUSTRATION

Rear Brake Lines (Black) (1/2") x2

COMPLETED BRAKE DRUM ASSEMBLY

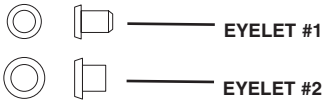
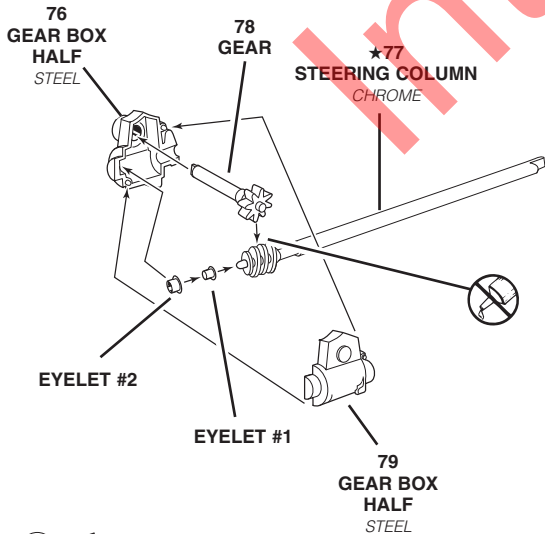
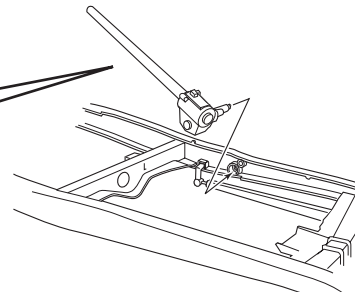
1/2" BRAKE LINE

FRAME ASSEMBLY

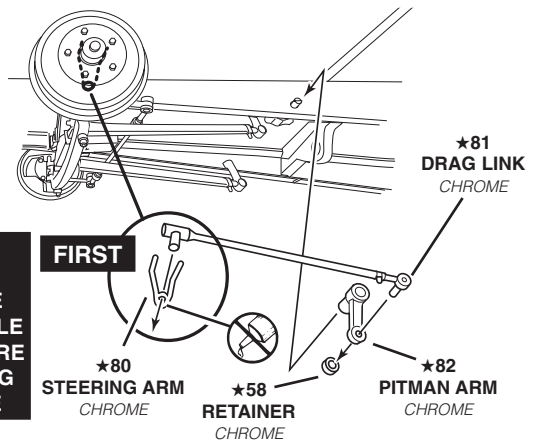
2X

REPEAT FOR OTHER SIDE

**G**



**H**



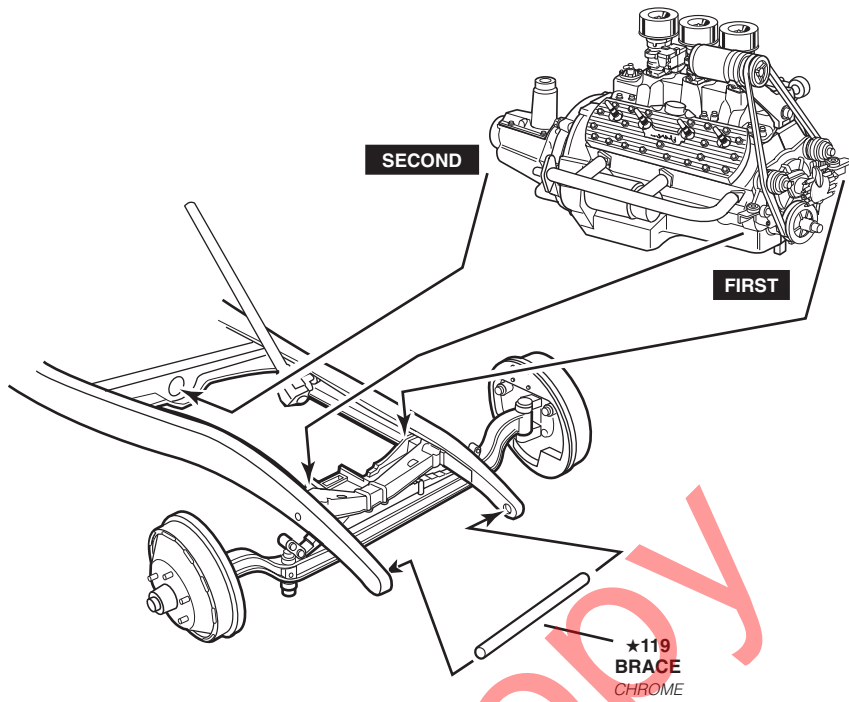
NOTE: STEERING ARM AND DRAG LINK ARE KEYED. ASSEMBLE TOGETHER BEFORE ATTACHING DRAG LINK TO FRAME

FIRST

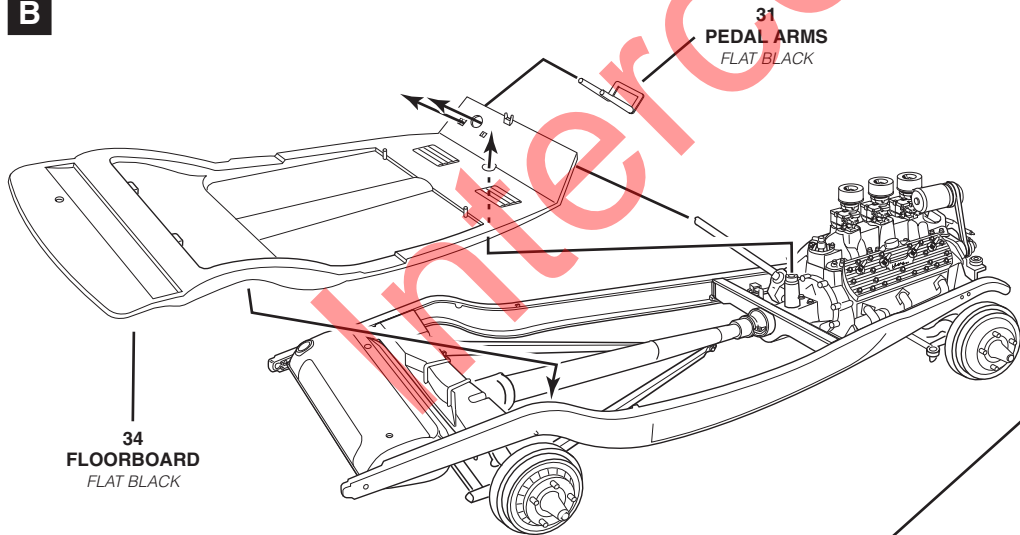
# 6

# HIGHBOY BODY PAN ASSEMBLY

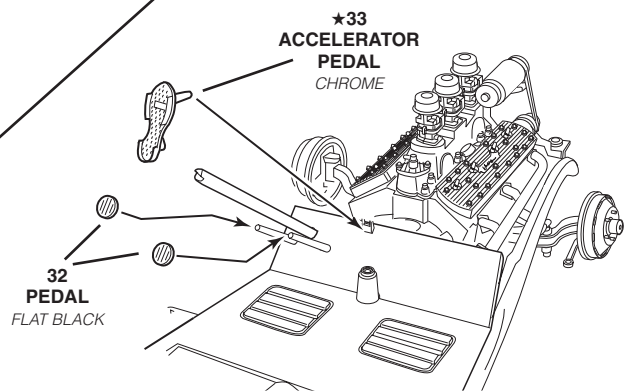
**A**



**B**

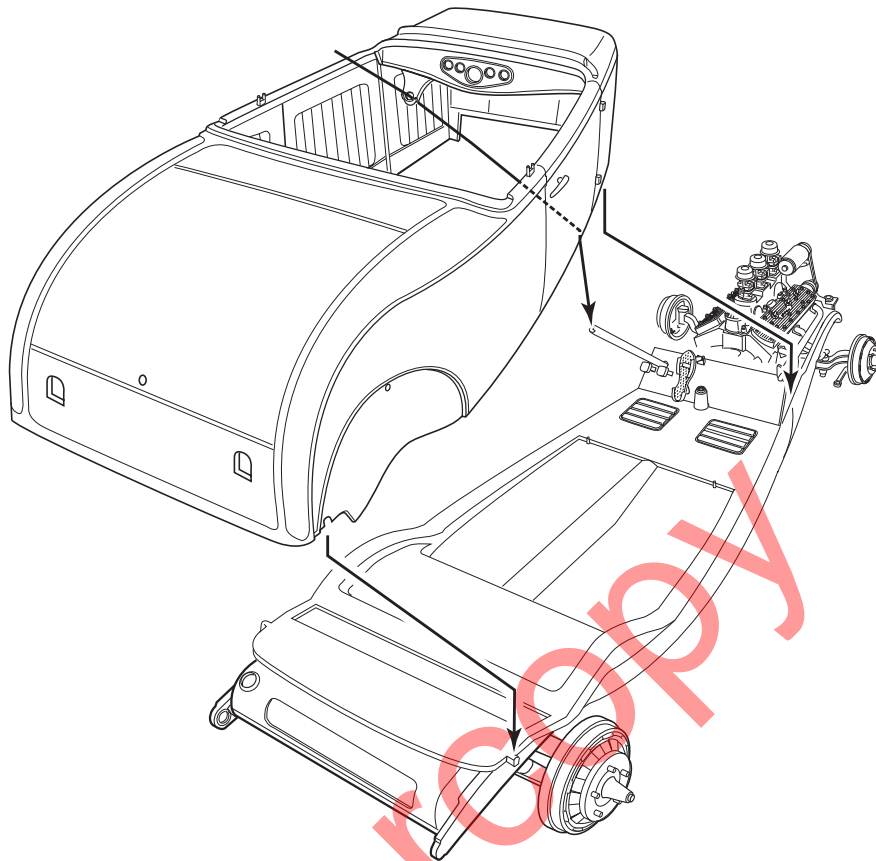


**C**



# 7

# HIGHBOY FRAME AND BODY ASSEMBLY



**NOTE: DRILL OUT HOLE FOR TAILLIGHT BLUE DOT**

**370**  
TAILLIGHT LENS  
TRANSPARENT RED

**371**  
TAILLIGHT BLUE DOT  
TRANSPARENT BLUE

**★349**  
TAILLIGHT BEZEL  
CHROME

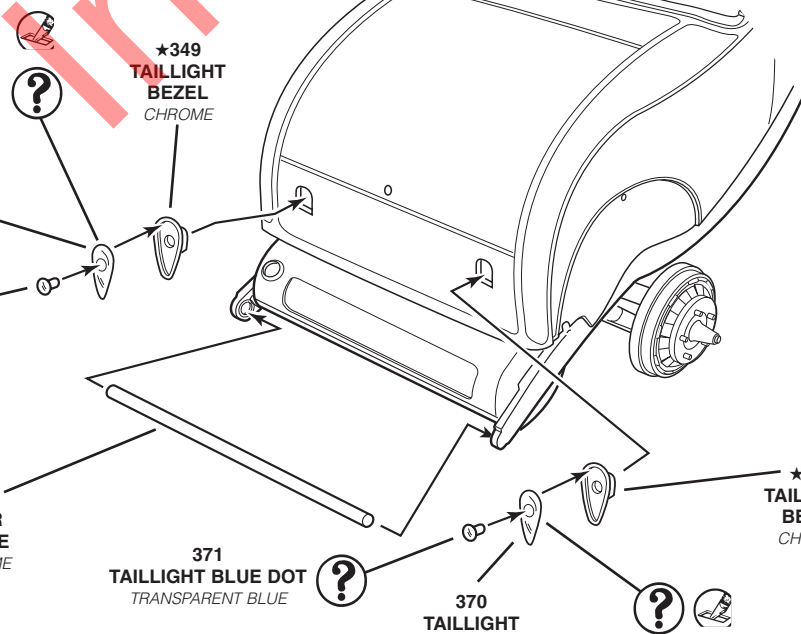
**★120**  
REAR BRACE  
CHROME

**371**  
TAILLIGHT BLUE DOT  
TRANSPARENT BLUE

**370**  
TAILLIGHT LENS  
TRANSPARENT RED

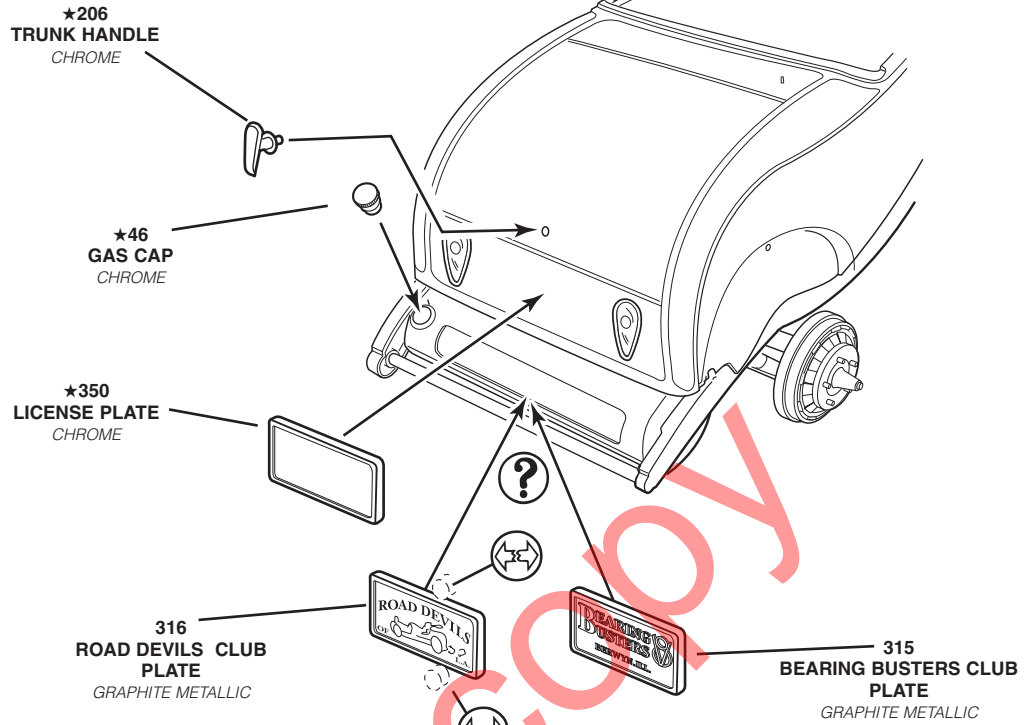
**★349**  
TAILLIGHT BEZEL  
CHROME

**NOTE: DRILL OUT HOLE FOR TAILLIGHT BLUE DOT**



# 7

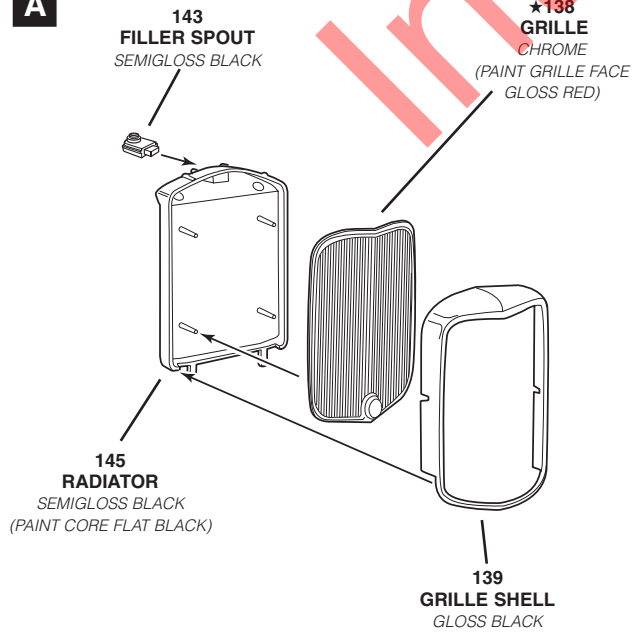
## HIGHBOY FRAME AND BODY ASSEMBLY CONTINUED



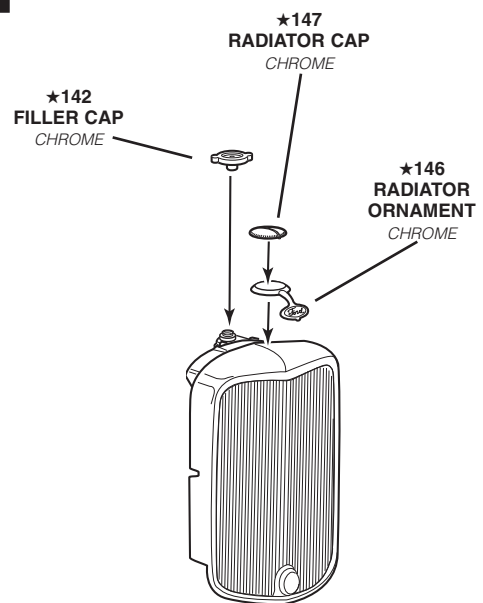
# 8

## HIGHBOY RADIATOR ASSEMBLY

**A**

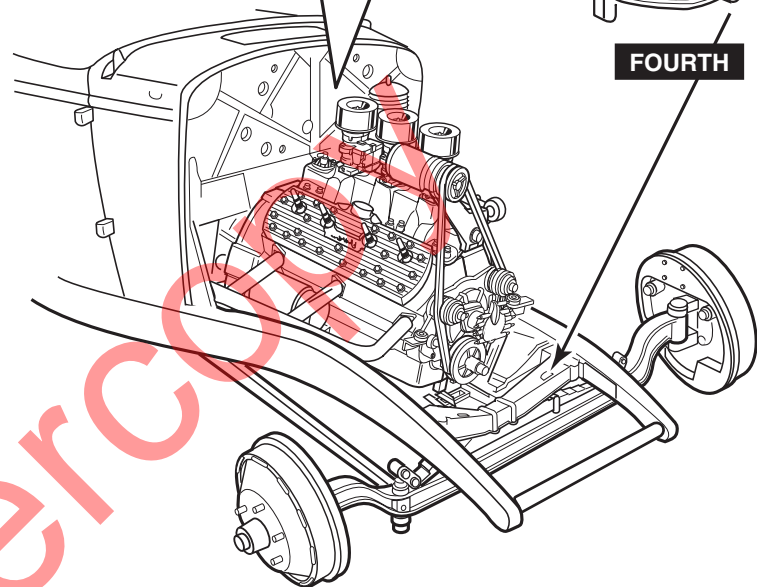
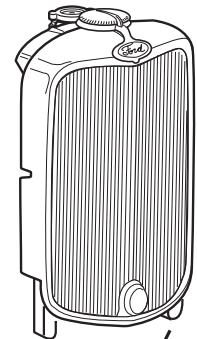
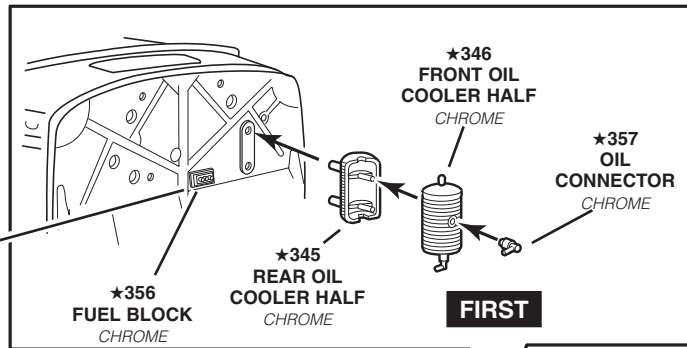
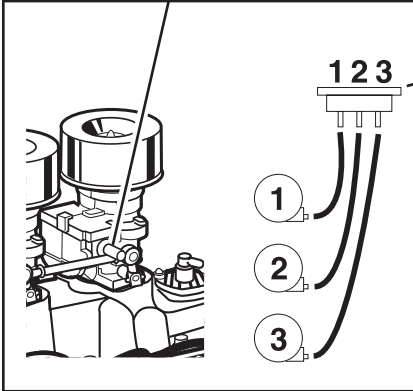


**B**

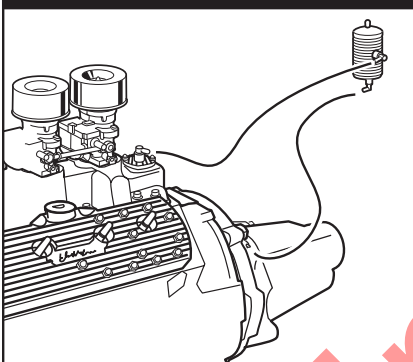


**C**

NOTE: ATTACH FUEL LINES FROM FUEL BLOCK PINS TO CARB PINS AS SHOWN BELOW. NOTE THE NUMERICAL SEQUENCE.

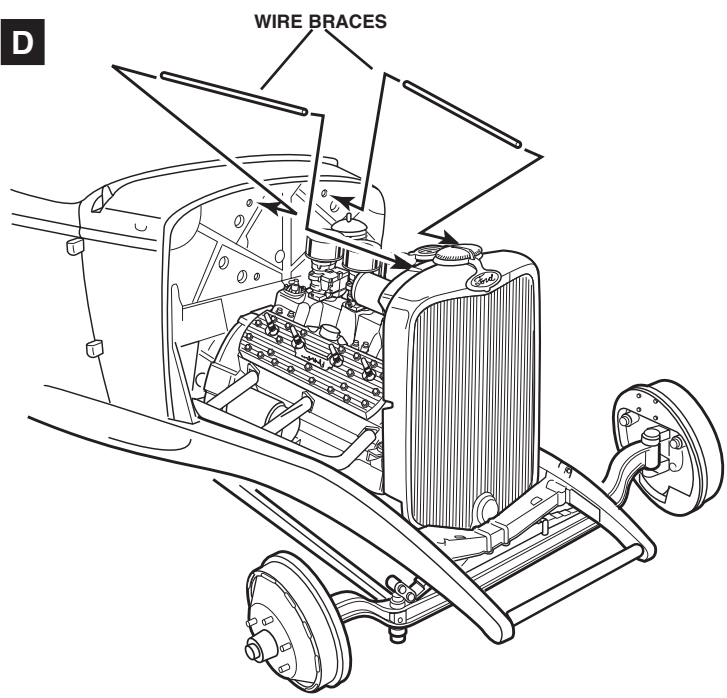


NOTE: ATTACH OIL LINES FROM PINS ON THE OIL COOLER TO THE INTAKE MANIFOLD FITTING AND FROM THE OIL COOLER TO THE ENGINE BLACK OIL FITTING



**SECOND**

**D**



Fuel Line #1 (Red Tint) - (1 3/4") x1

Fuel Line #2 (Red Tint) - (2 1/4") x1

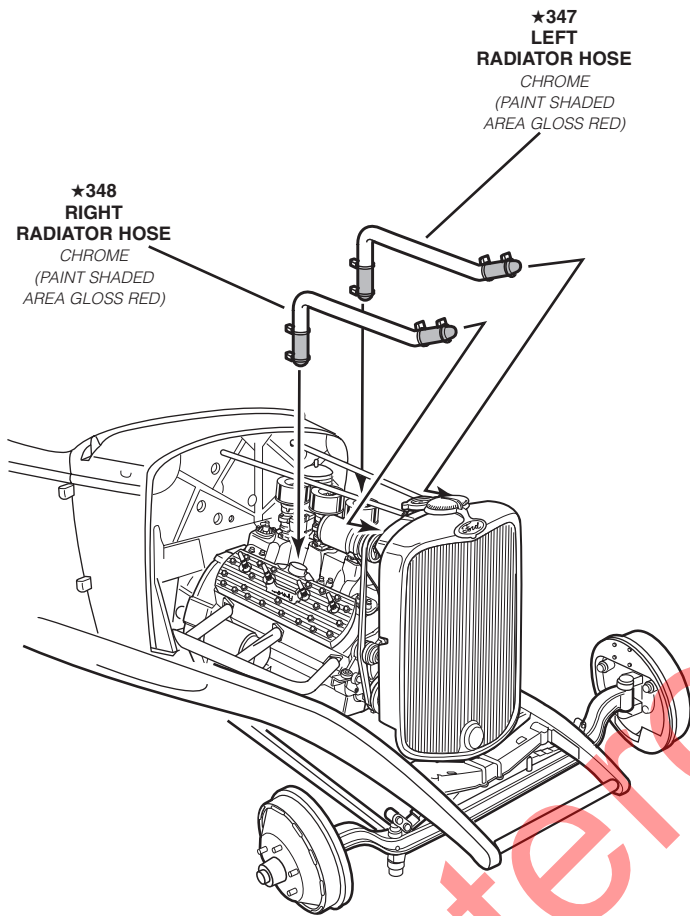
Fuel Line #3 (Red Tint) - (2 3/4") x1

Oil Cooler Lines (Black) (2") x2

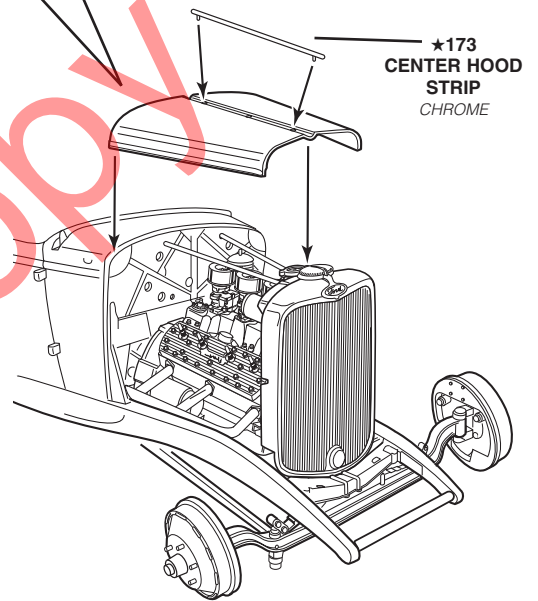
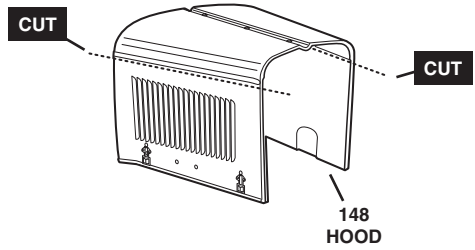


# 9

# HIGHBOY HOOD ASSEMBLY



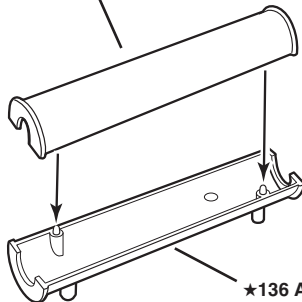
NOTE:  
FOR THE HIGHBOY VERSION CUT THE  
SIDES OF THE HOOD JUST BELOW THE  
RIDGE LINES



# 10

# HIGHBOY EXHAUST ASSEMBLY

★137 A, B  
MUFFLER BOTTOM HALF  
CHROME



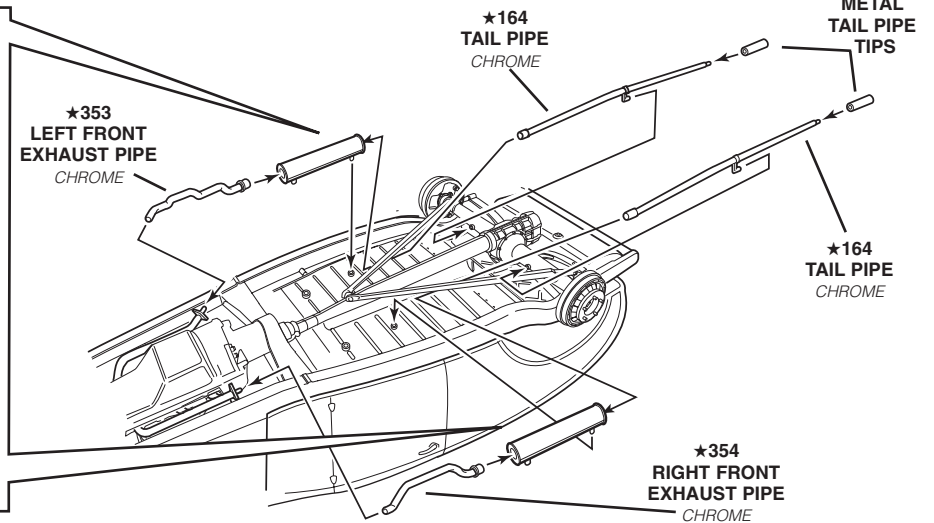
★353  
LEFT FRONT  
EXHAUST PIPE  
CHROME

★164  
TAIL PIPE  
CHROME

METAL  
TAIL PIPE  
TIPS

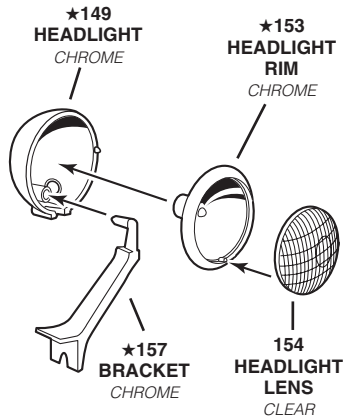
★164  
TAIL PIPE  
CHROME

★354  
RIGHT FRONT  
EXHAUST PIPE  
CHROME



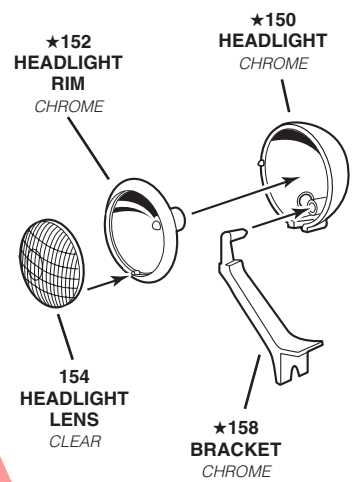
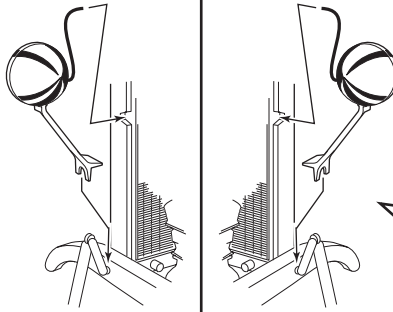
# 11

# HIGHBOY FRONT LIGHTS ASSEMBLY



LEFT

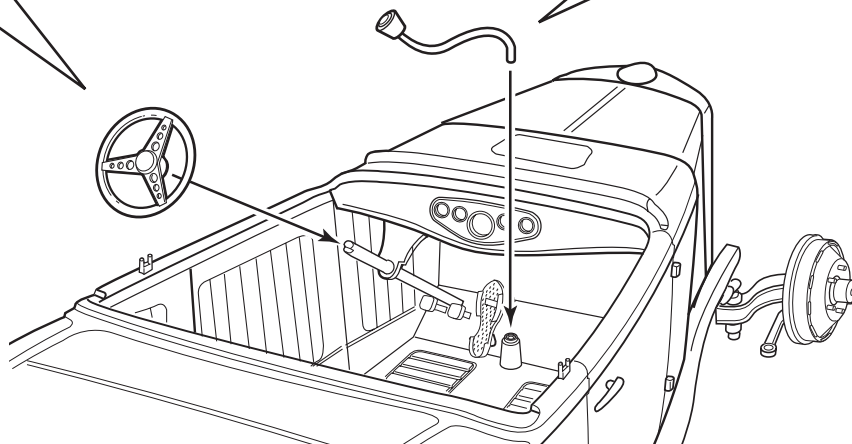
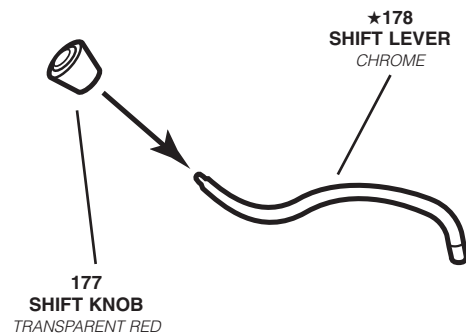
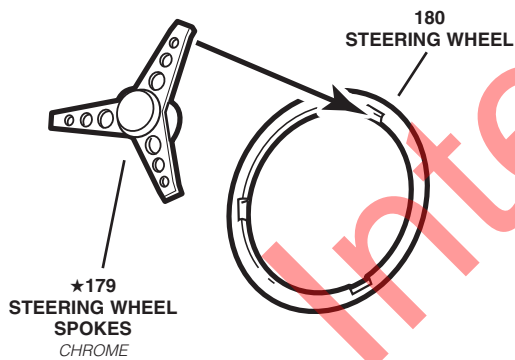
RIGHT



Headlight Lines (Black) (2 3/4") x2

# 12

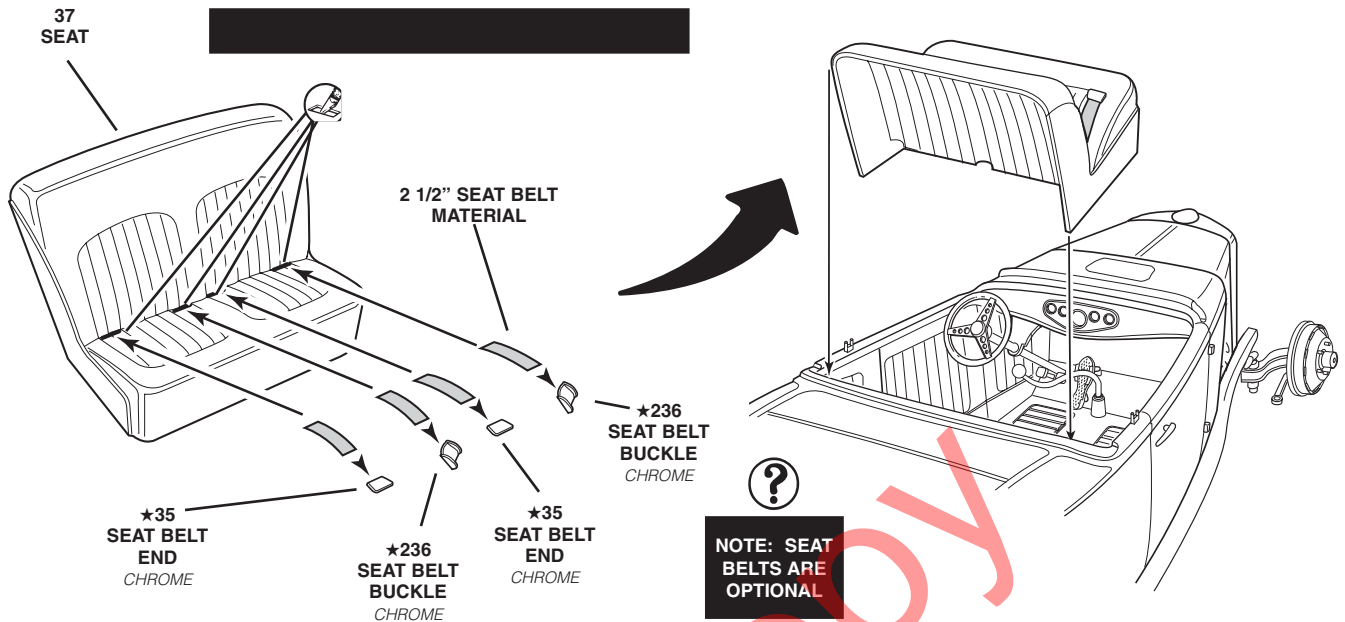
# HIGHBOY STEERING/SHIFT ASSEMBLY



# 13

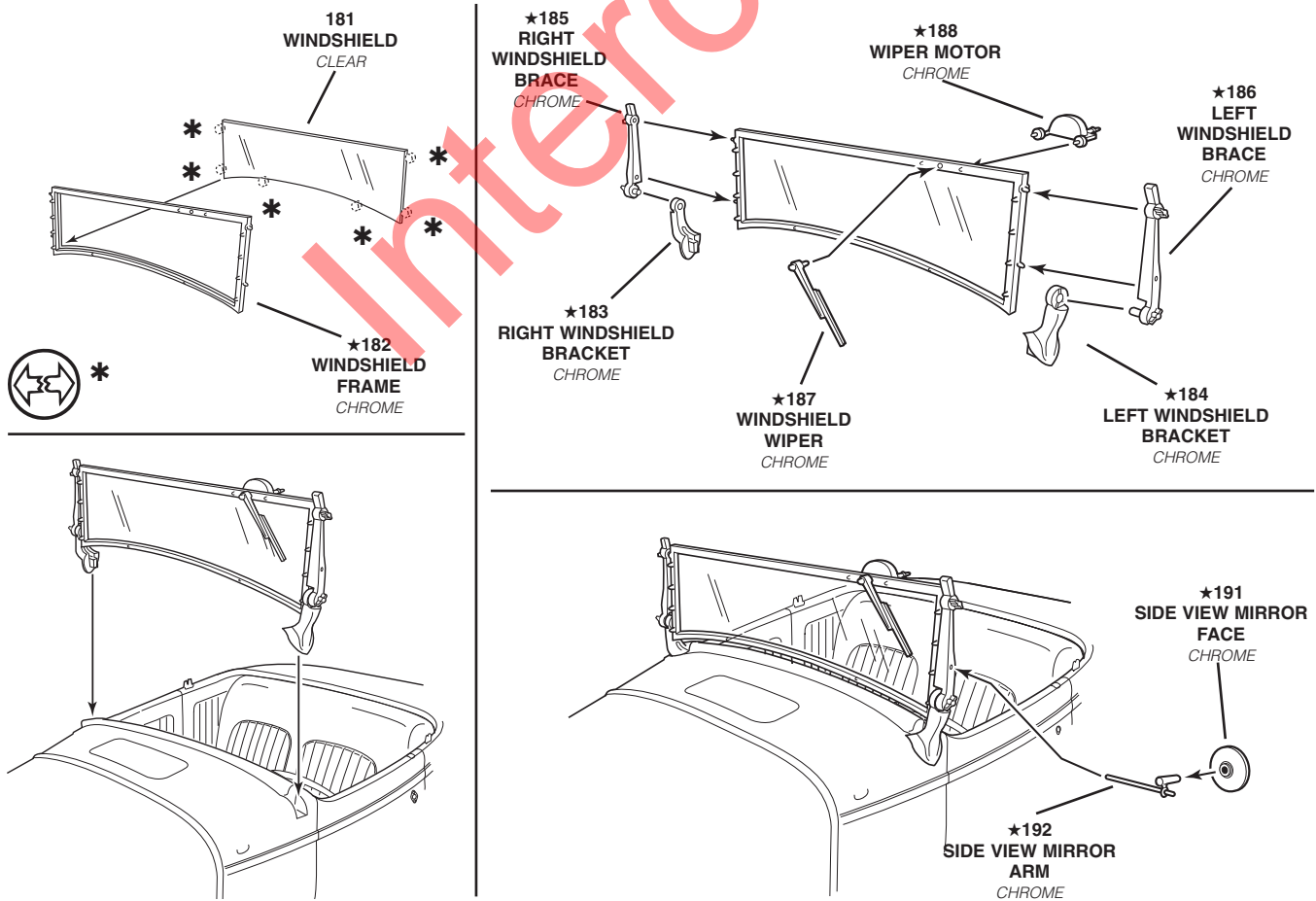
# HIGHBOY SEAT ASSEMBLY

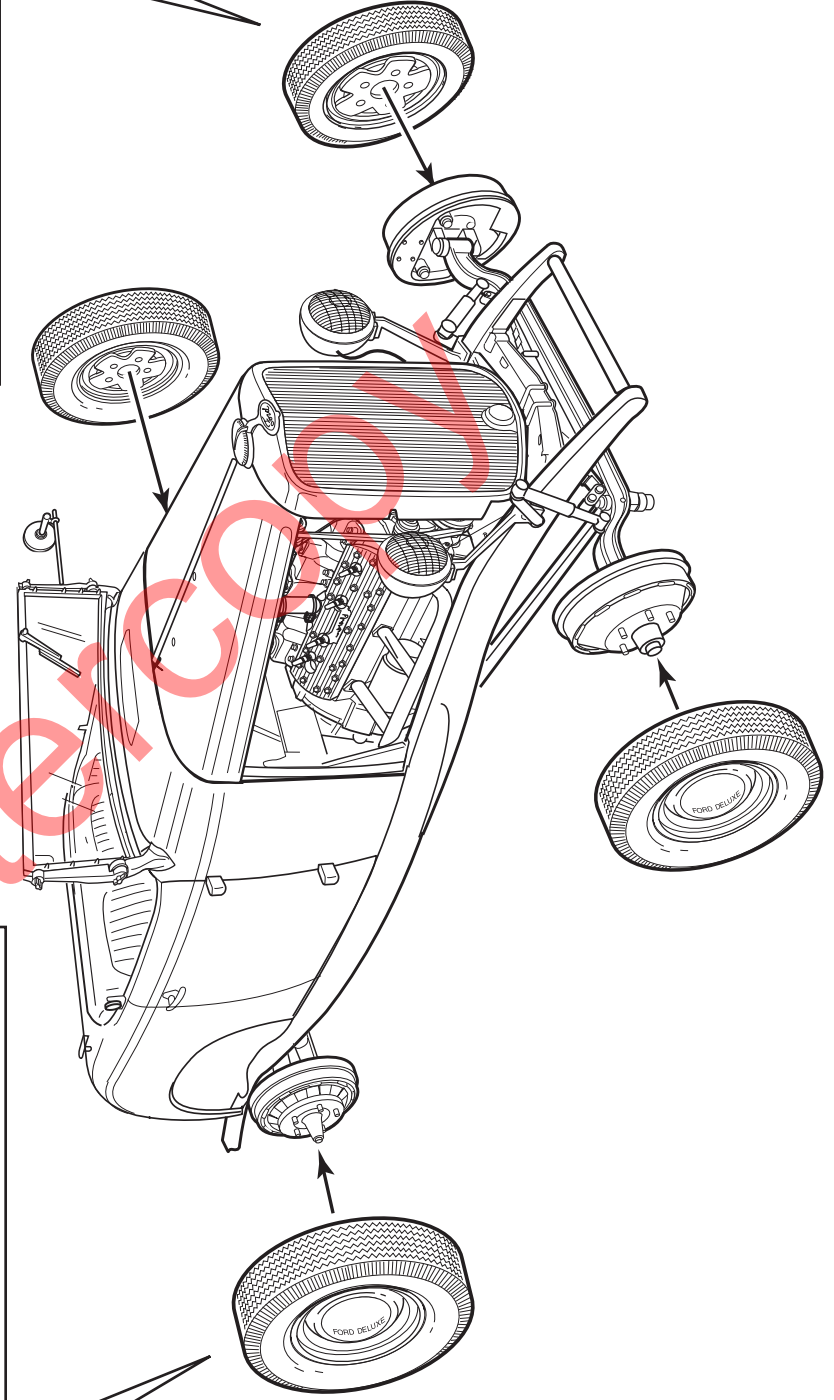
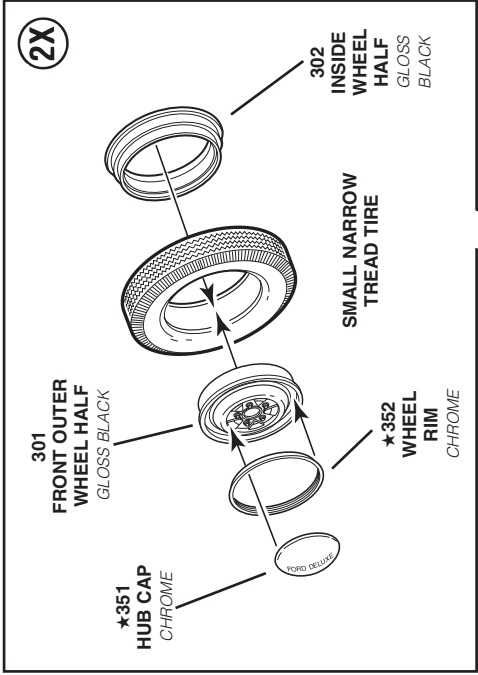
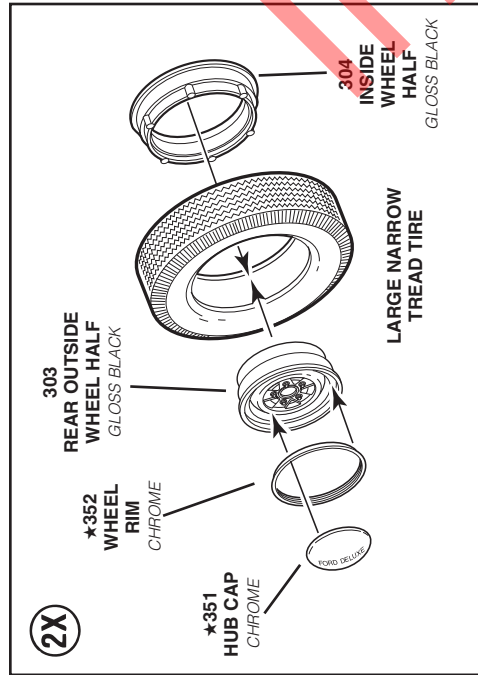
Seat Belt Fabric Material (2 1/2") x4



# 14

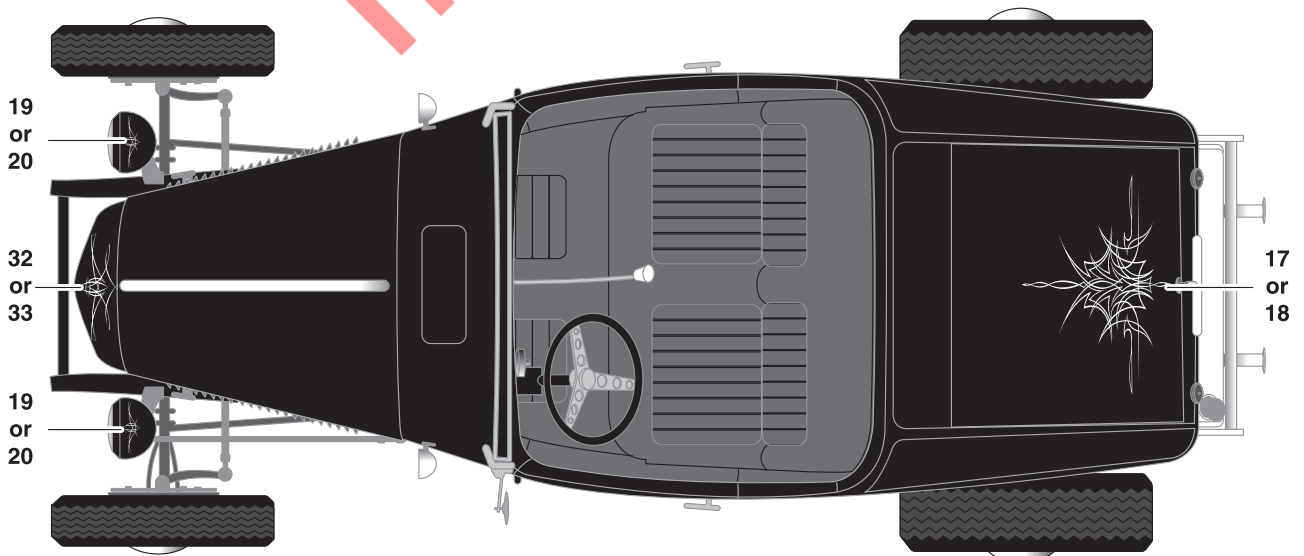
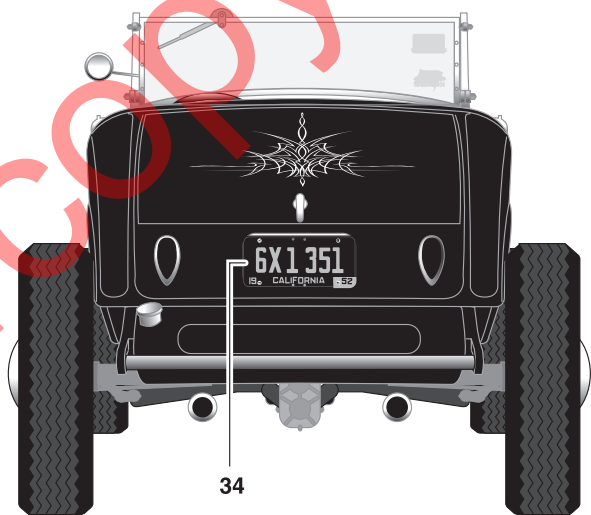
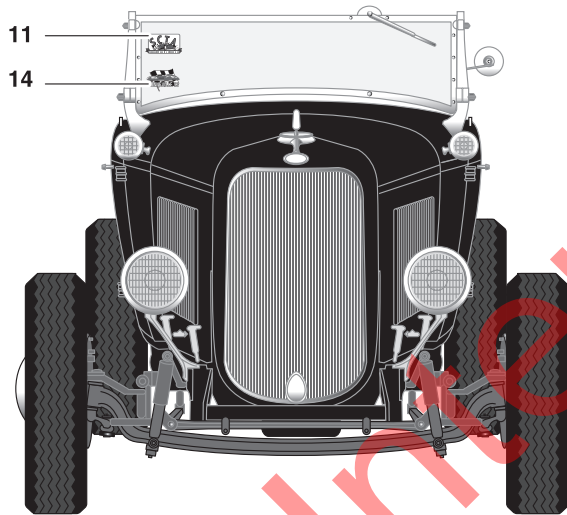
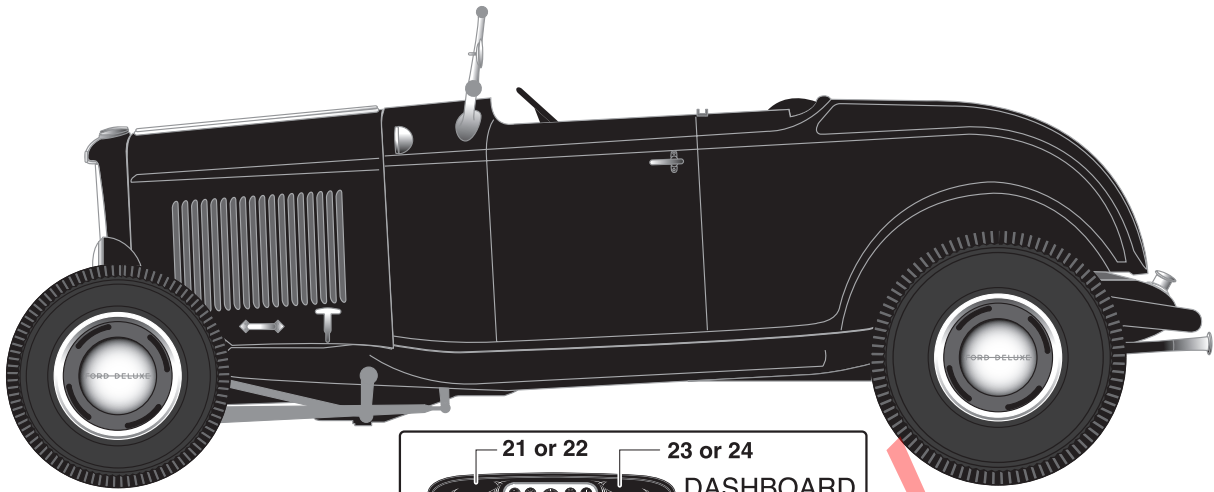
# HIGHBOY WINDSHIELD ASSEMBLY





Fuel Line #1(Red Tint) - (1 3/4") x1	Cylinder Brake Line (Black) (3 1/2") x1
Fuel Line #2(Red Tint) - (2 1/4") x1	Front Brake Lines (Black) (2 1/4") x2
Fuel Line #3(Red Tint) - (2 3/4") x1	Rear Brake Lines (Black) (1/2") x2
Oil Cooler Lines (Black) (2") x2	Headlight Lines (Black) (2 3/4") x2
Spark Plug Wires (Red) M (1 1/2") x1	Seat Belt Fabric Material (2 1/2") x4
Spark Plug Wires (Red) 1 (2 3/4") x1	
Spark Plug Wires (Red) 2 (3 1/2") x1	
Spark Plug Wires (Red) 3 (4 1/4") x1	
Spark Plug Wires (Red) 4 (4 3/4") x1	
Spark Plug Wires (Red) 5 (3") x1	
Spark Plug Wires (Red) 6 (3 1/2") x1	
Spark Plug Wires (Red) 7 (4 1/4") x1	
Spark Plug Wires (Red) 8 (4 3/4") x1	
Spark Plug Connectors (Black) (1/8) x18	

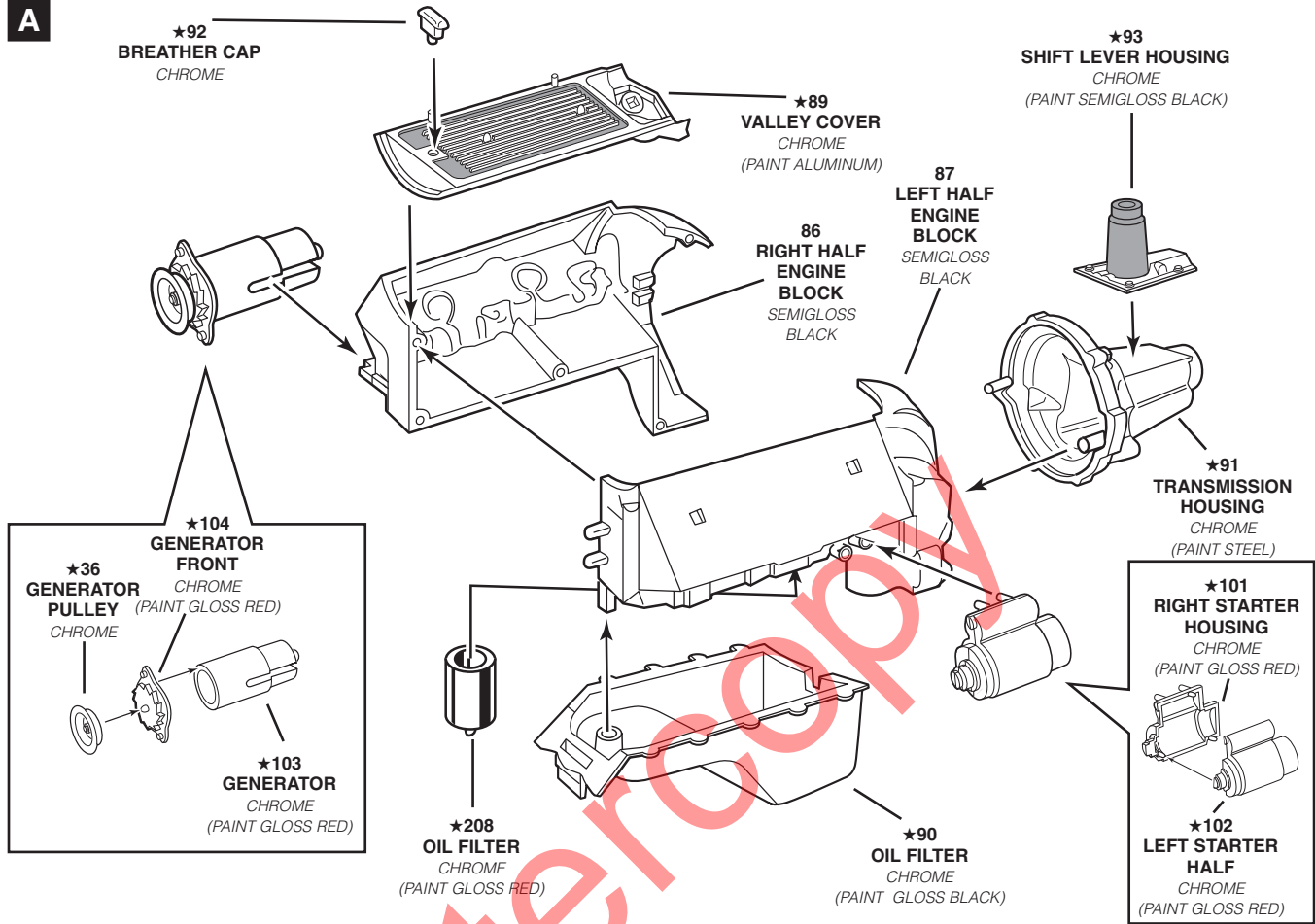




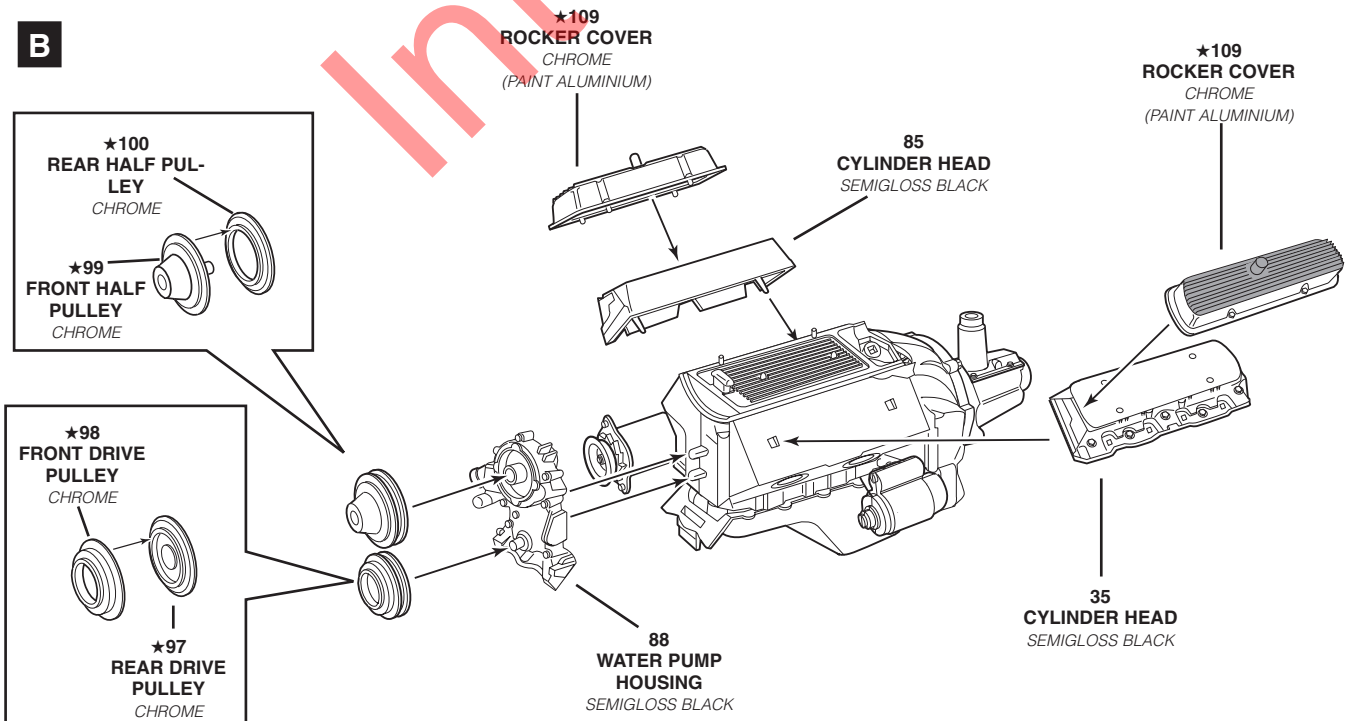
# 1

# RAT ROD ENGINE ASSEMBLY

## A



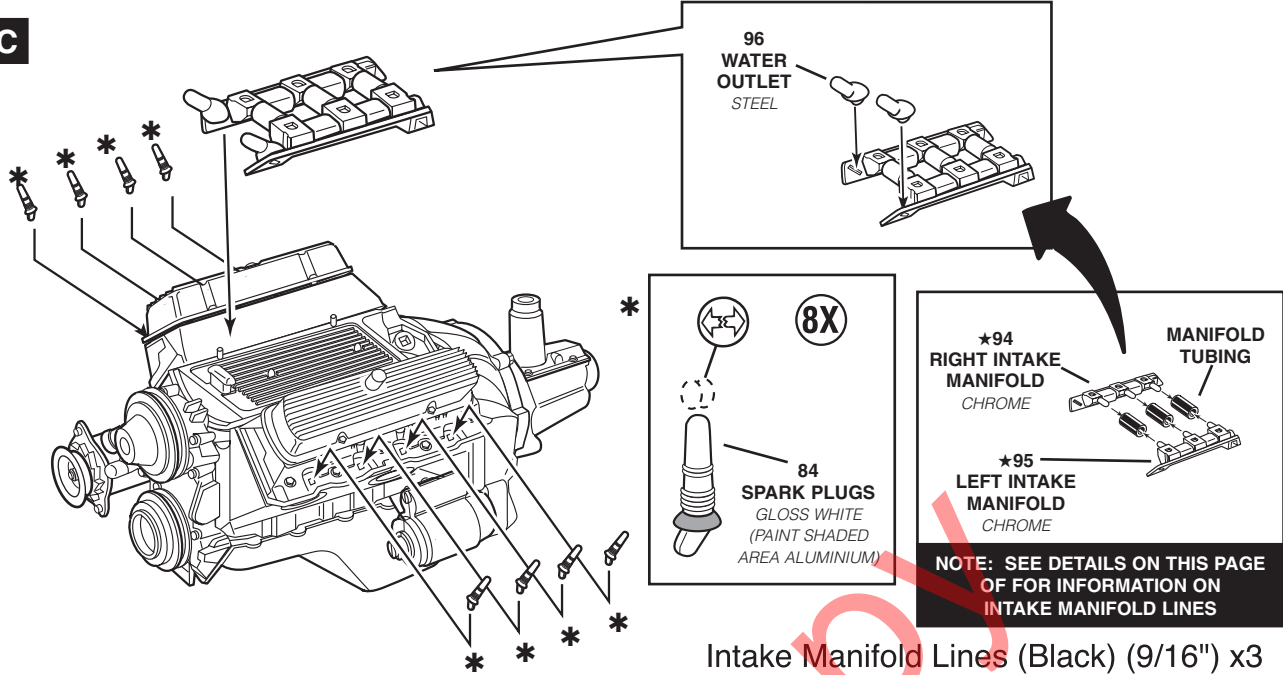
## B



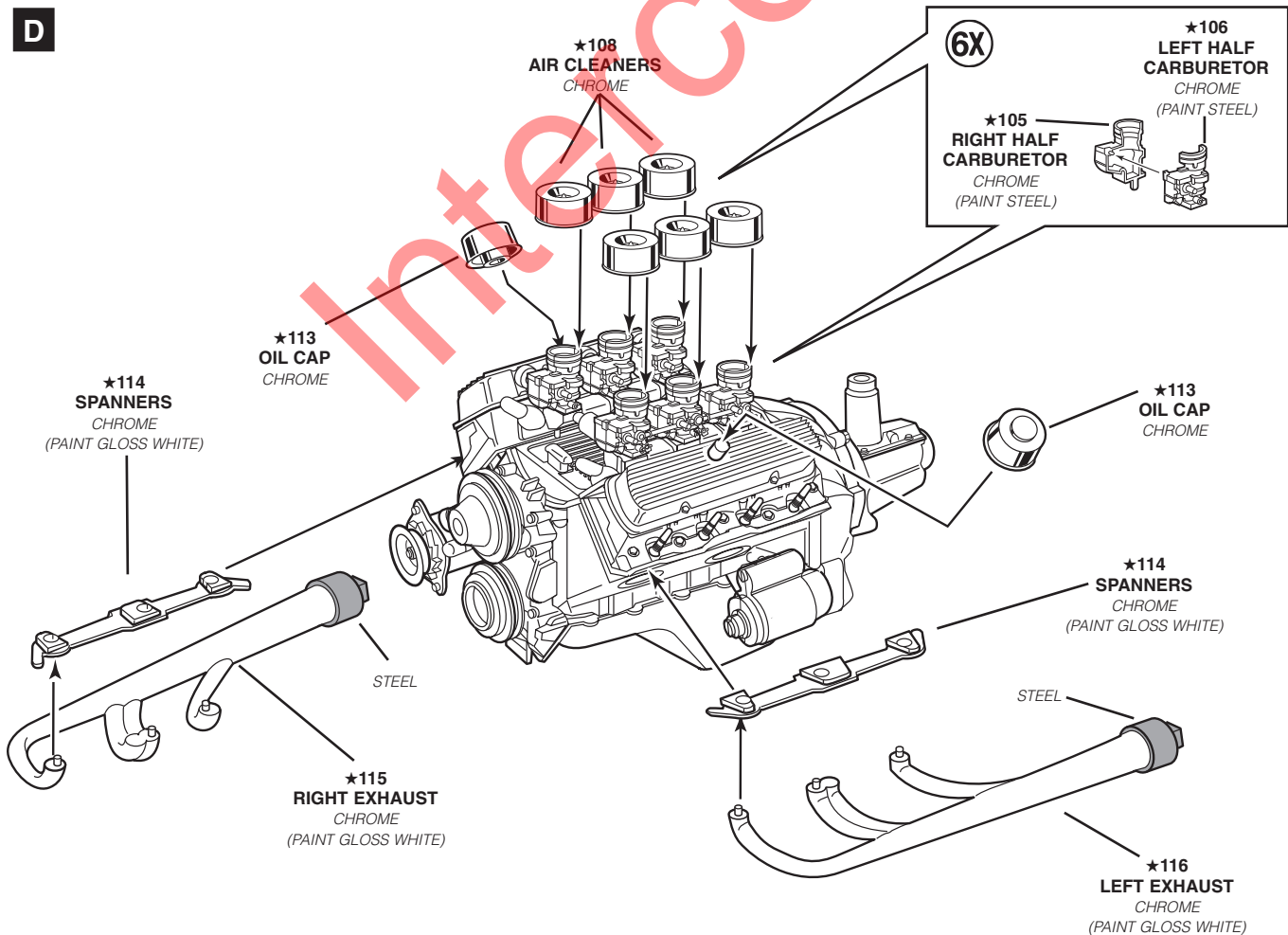
# 1

# RAT ROD ENGINE ASSEMBLY CONTINUED

**C**



**D**

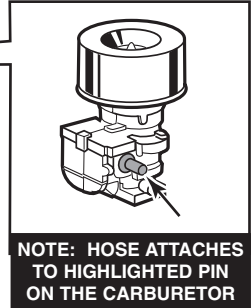
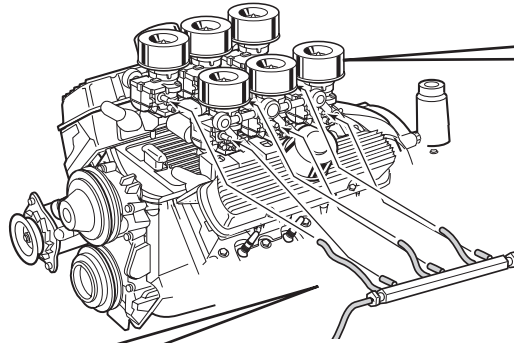
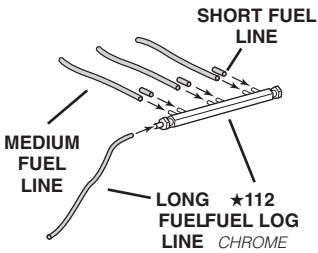


# 1

# RAT ROD ENGINE ASSEMBLY CONTINUED

**E**

**NOTE: SEE DETAILS ON THIS PAGE FOR INFORMATION ON FUEL LINES**



**NOTE: HOSE ATTACHES TO HIGHLIGHTED PIN ON THE CARBURETOR**

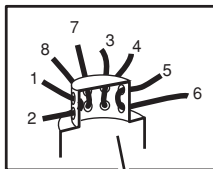
**Fuel Lines (Red Tint) - Short (5/16") x3**

**Fuel Lines (Red Tint) - Medium (1 5/16") x3**

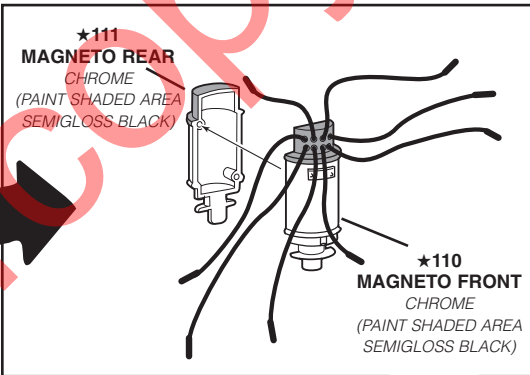
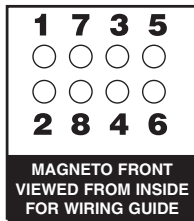
**Fuel Line (Red Tint) - Long (3 9/16") x1**

**NOTE: IF THE FUEL LINES ARE TOO SMALL TO FIT THE DIAMETER OF THE PINS USE A PENCIL TIP TO SPREAD FUEL LINES BEFORE ATTACHING TO PINS**

**F**

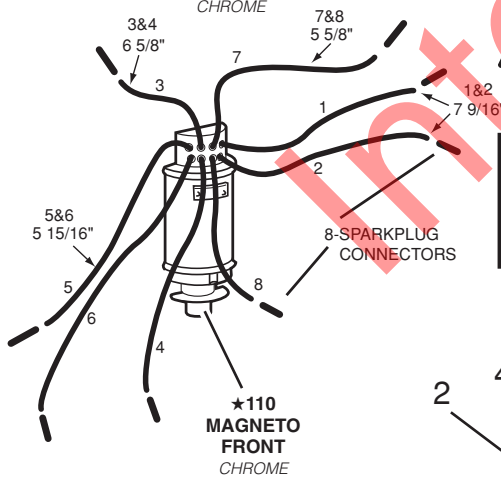


**★110 MAGNETO FRONT CHROME**



**★111 MAGNETO REAR CHROME (PAINT SHADED AREA SEMIGLOSS BLACK)**

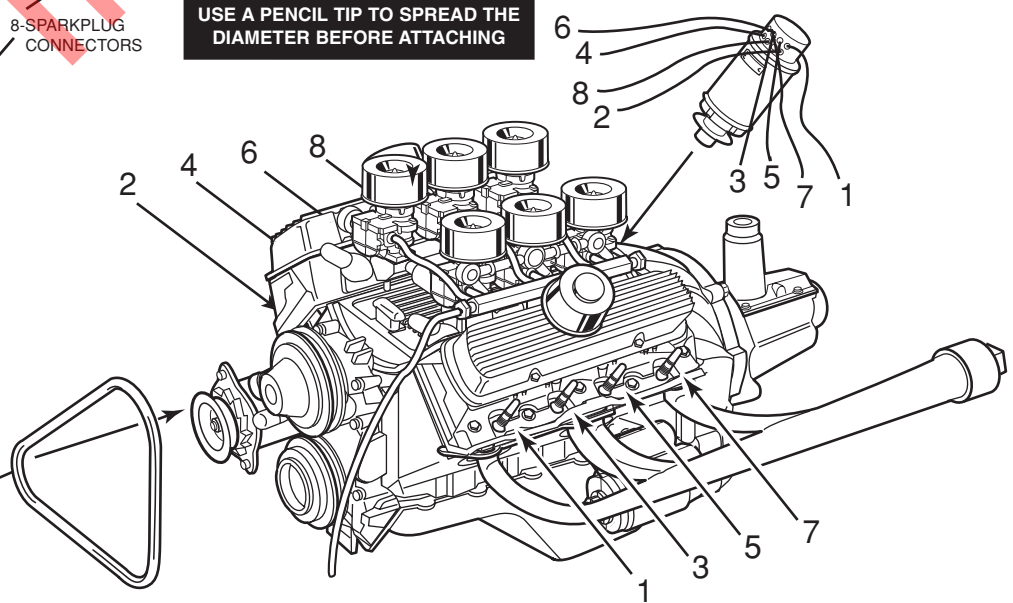
**★110 MAGNETO FRONT CHROME (PAINT SHADED AREA SEMIGLOSS BLACK)**



**NOTE: IF THE IGNITION WIRES AND SPARK PLUG CONNECTORS ARE TOO SMALL TO FIT THE DIAMETER USE A PENCIL TIP TO SPREAD THE DIAMETER BEFORE ATTACHING**

**NOTE: SEE DETAILS ON BACK PAGES OF THIS INSTRUCTION SHEET FOR INFORMATION ON SPARK PLUG LINES AND SPARK PLUG CONNECTORS**

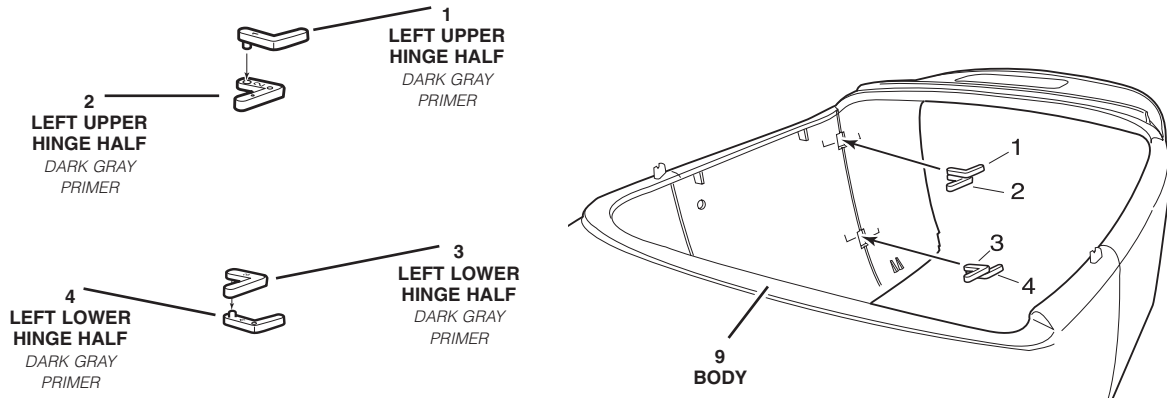
**RUBBER BAND**



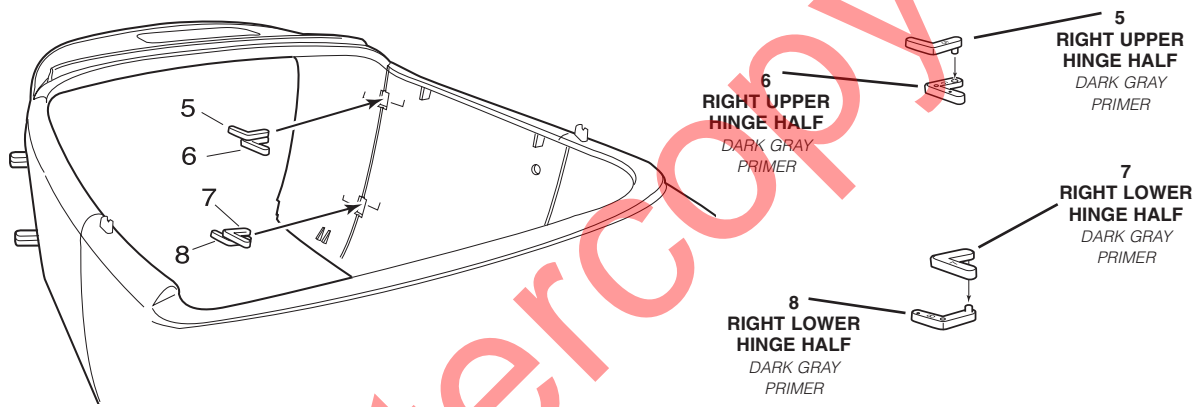
# 2

# RAT ROD BODY ASSEMBLY

**A**

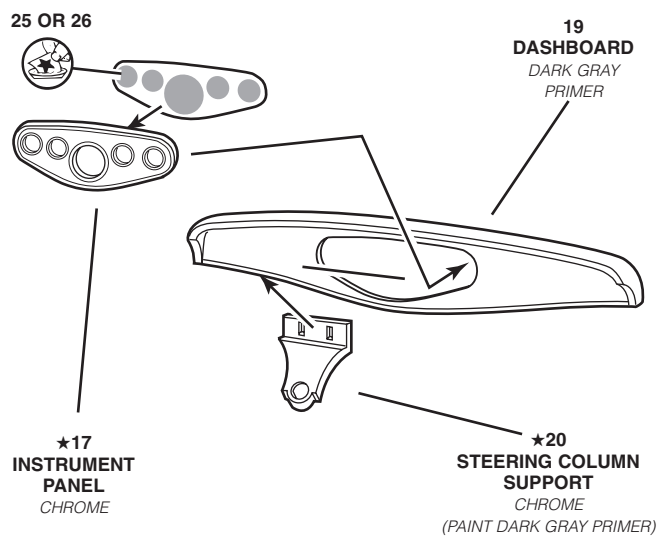


**B**

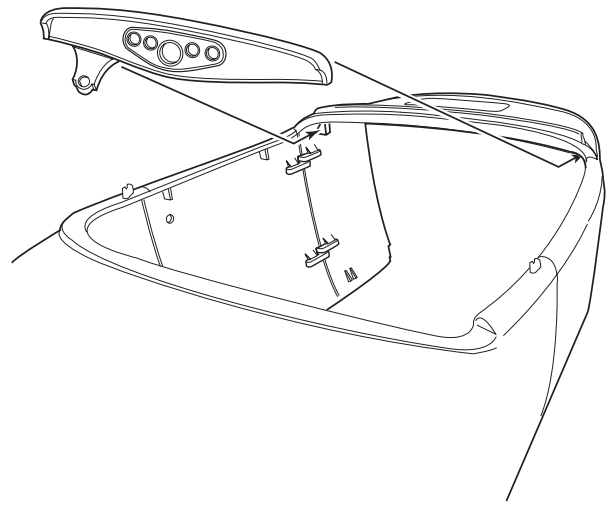


**C**

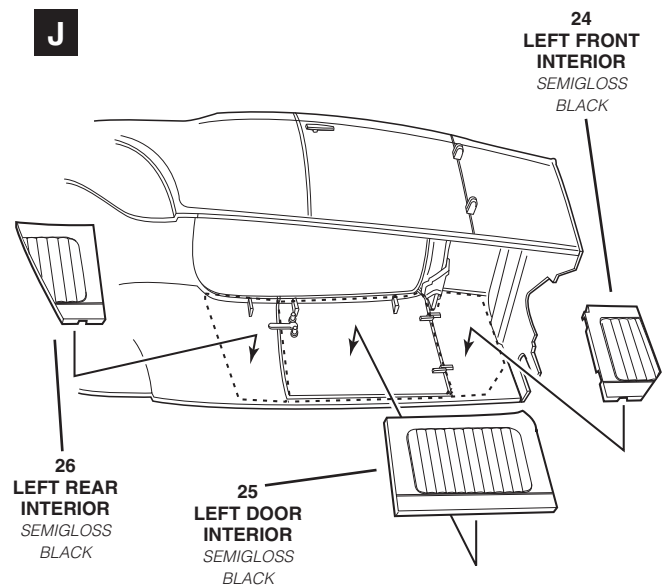
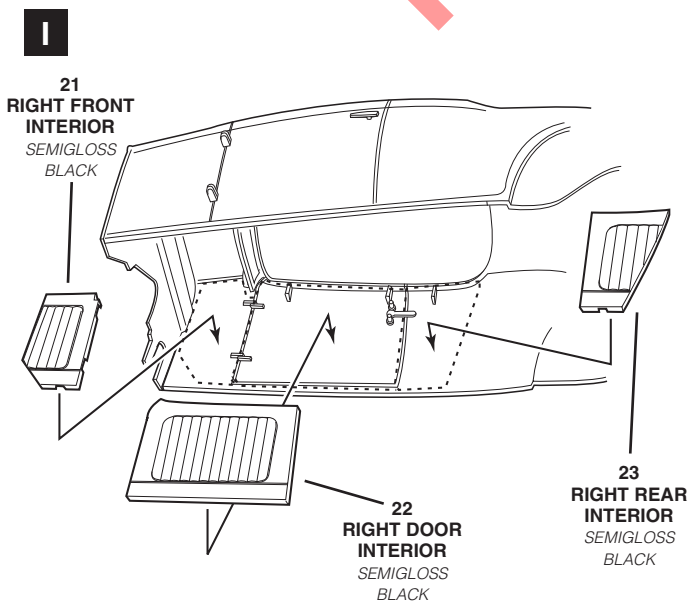
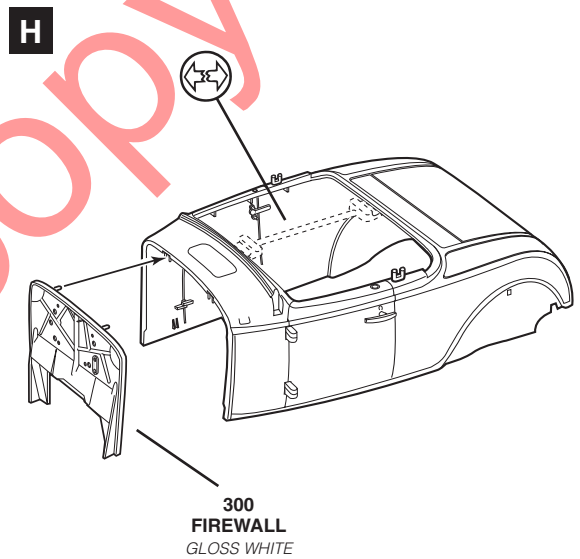
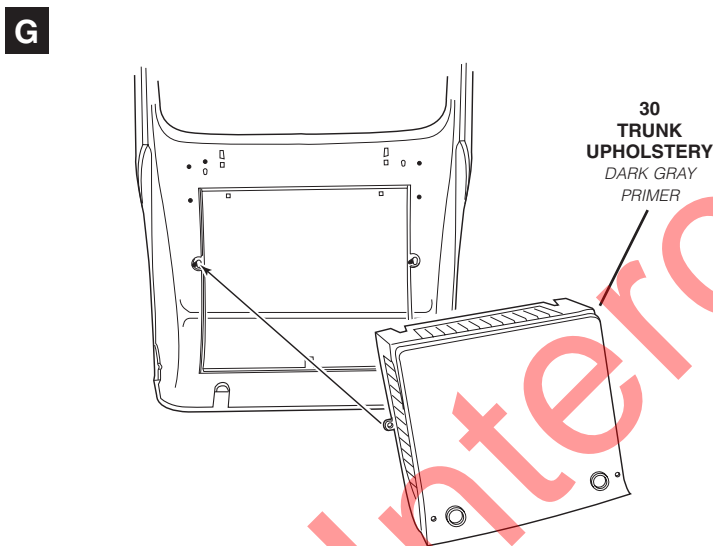
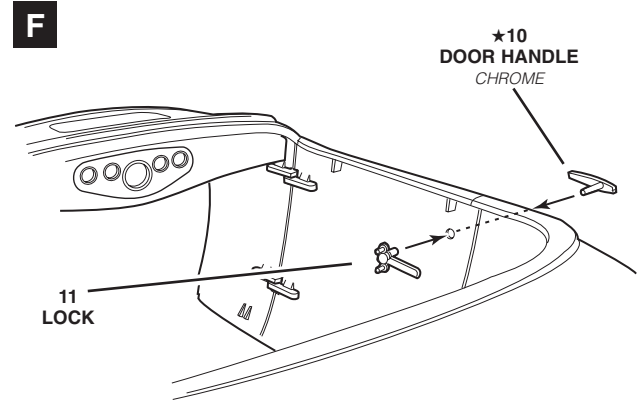
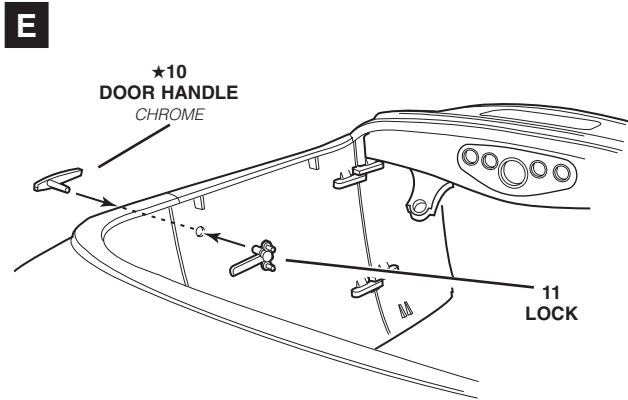
**NOTE: CUT DECAL FROM PAPER BUT DO NOT SLIDE FROM PAPER BACKING. GLUE TO THE BACK OF THE INSTRUMENT PANEL**



**D**



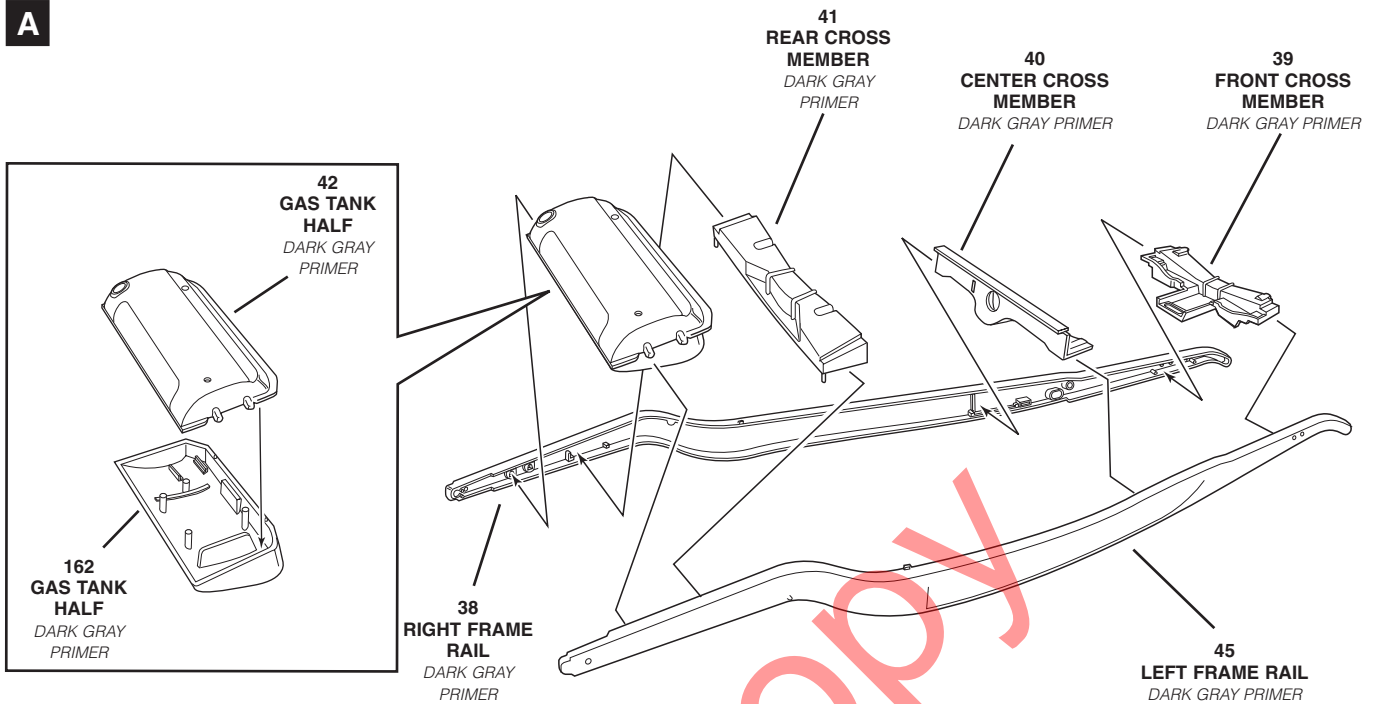




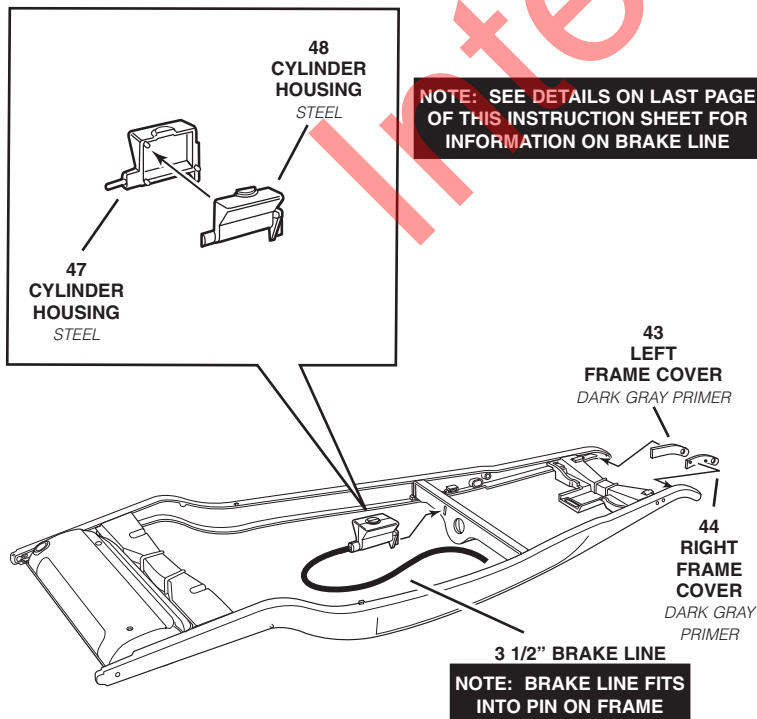
# 3

# RAT ROD FRAME ASSEMBLY

**A**



**B**

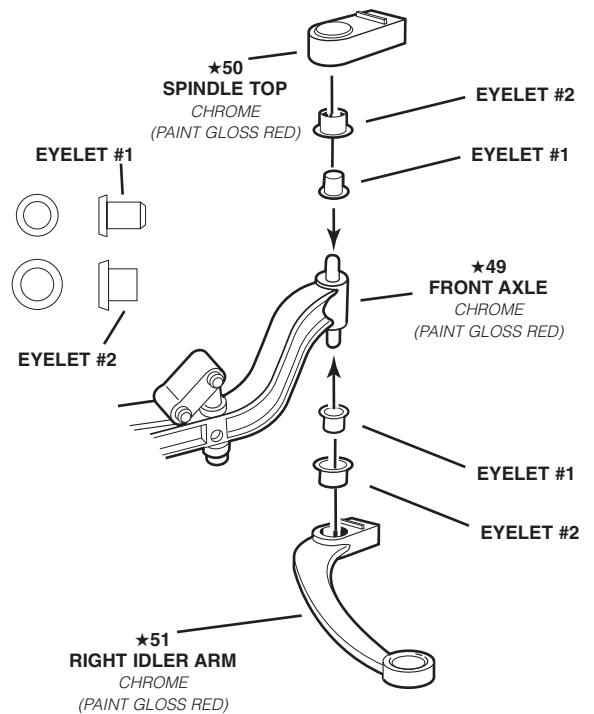


Cylinder Brake Line (Black) (3 1/2") x1

**C**

**RIGHT**

**NOTE: CAVITY AND PINS FACE REAR ON (★49) FRONT AXLE**

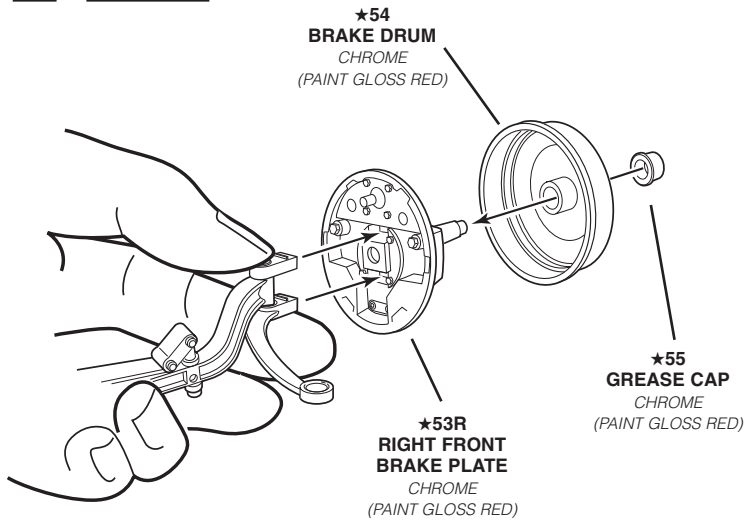


# 3

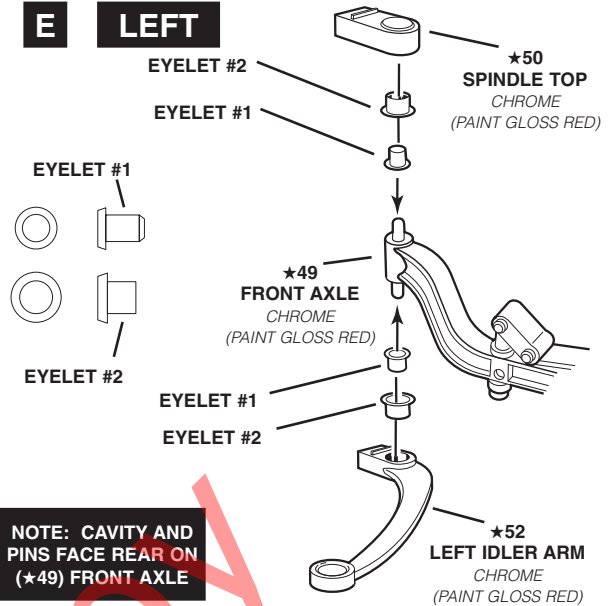
# RAT ROD FRAME ASSEMBLY

CONTINUED

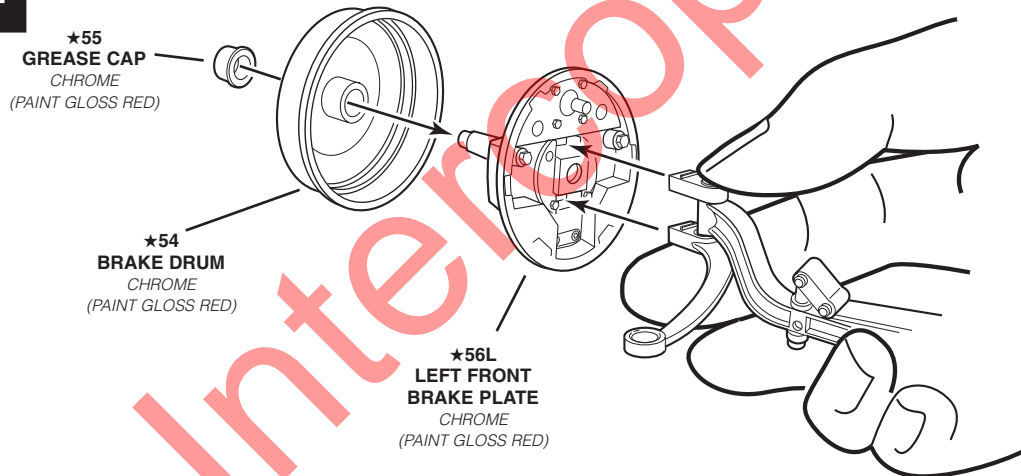
## D RIGHT



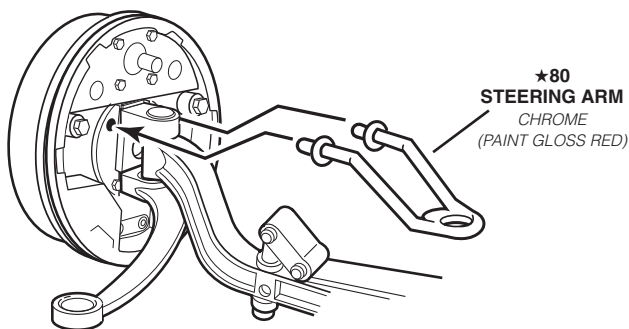
## E LEFT



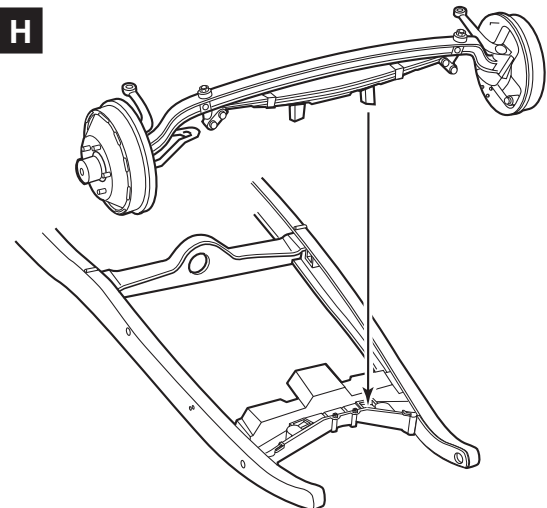
## F LEFT



## G LEFT



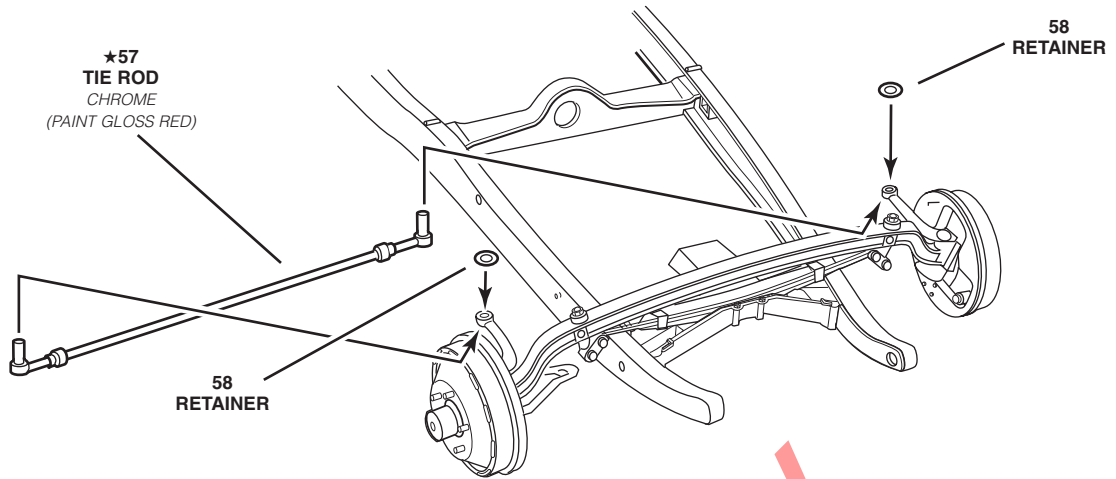
## H



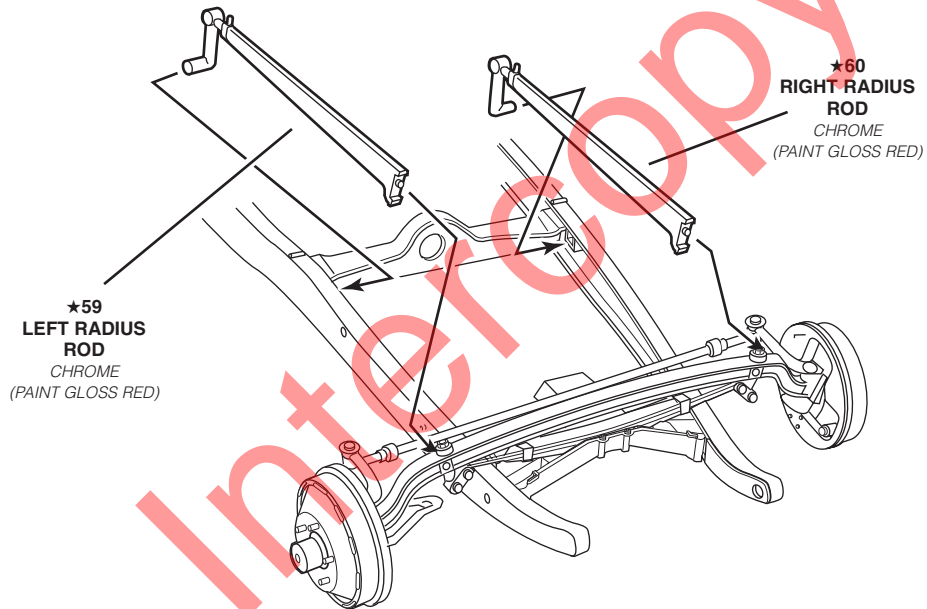
# 4

# RAT ROD FRONT END ASSEMBLY

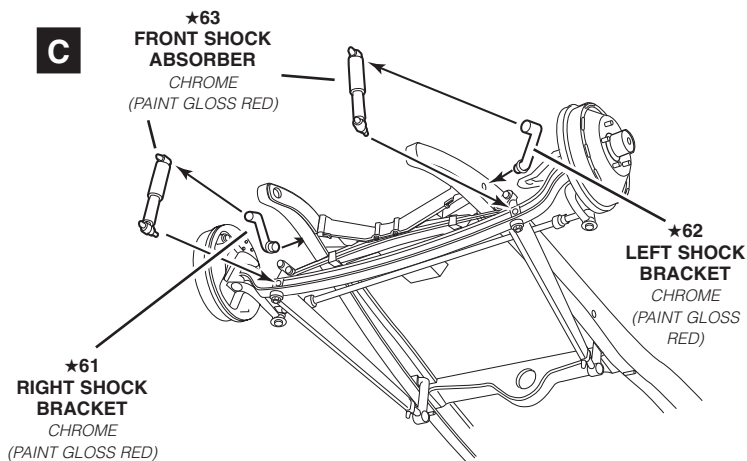
**A**



**B**



**C**



Front Brake Lines (Black) (2 1/4") x2

NOTE: BRAKE LINE CONNECTS FROM THE COMPLETED BRAKE DRUM TO THE FRAME AS SHOWN IN ILLUSTRATION

REPEAT FOR OTHER SIDE

COMPLETED  
BRAKE DRUM  
ASSEMBLY

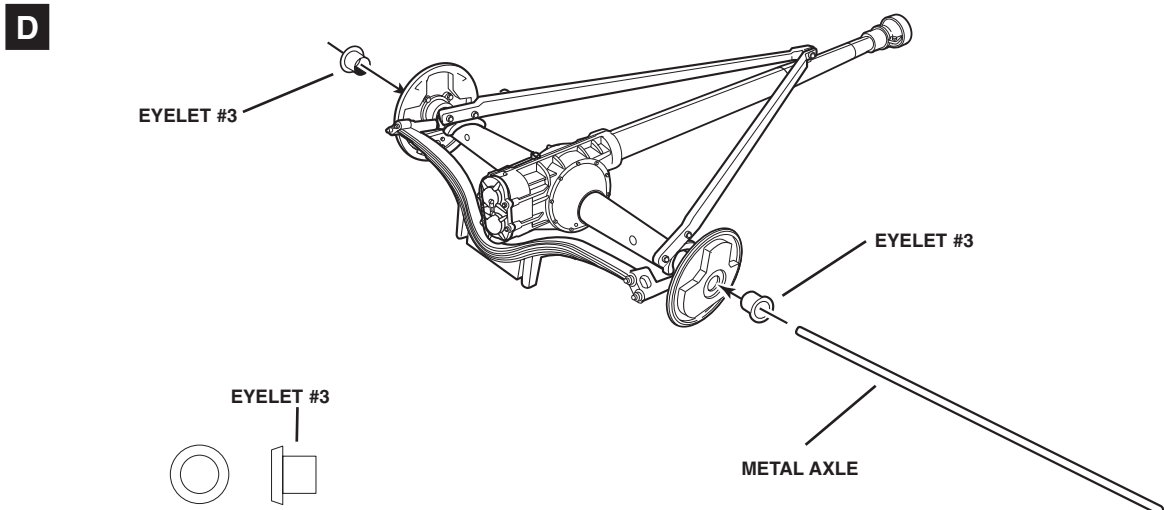
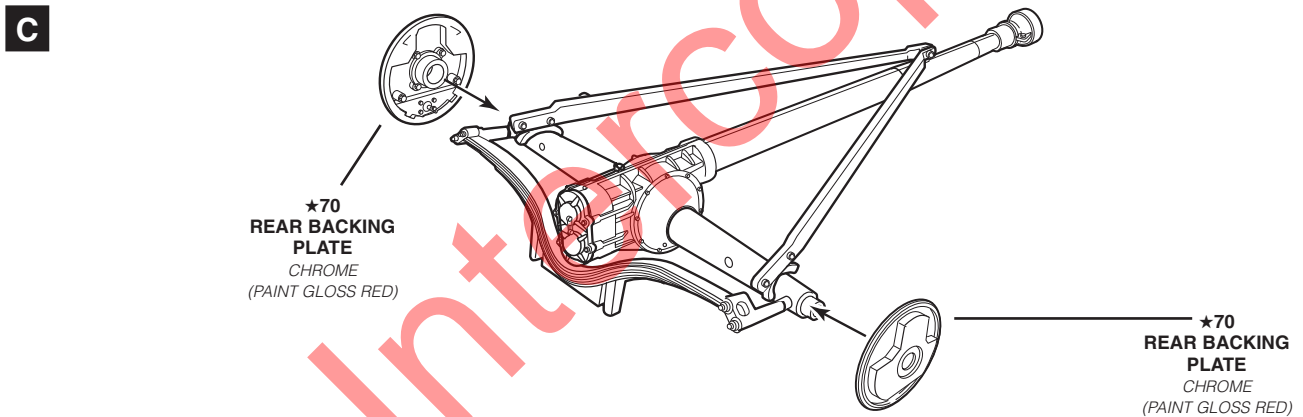
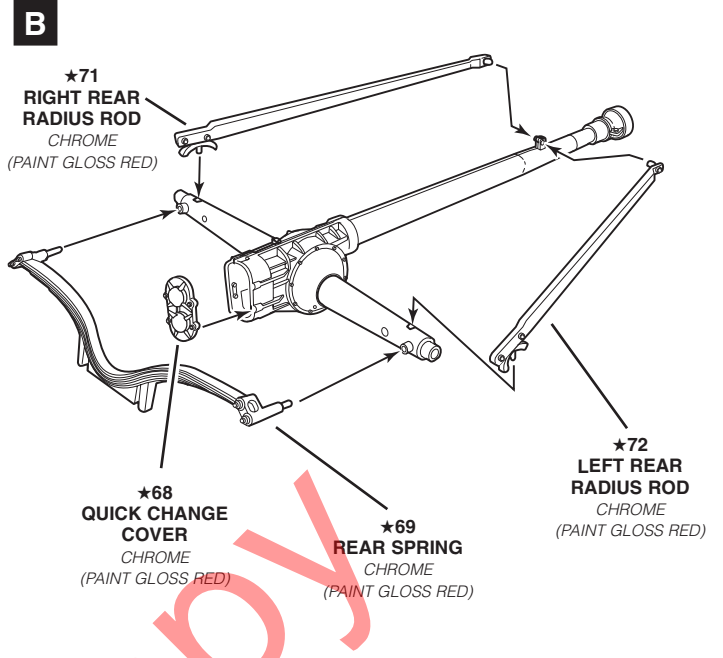
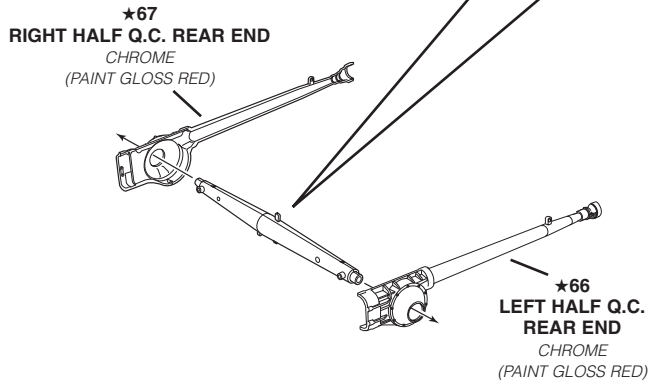
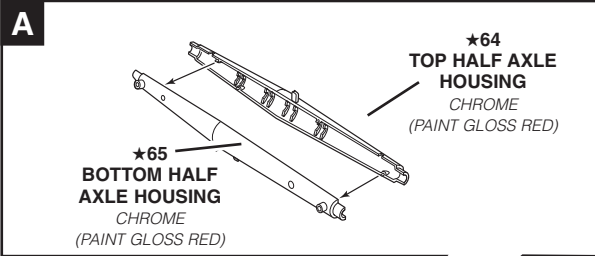
FRAME  
ASSEMBLY

(2X)

2 1/4" BRAKE  
LINE

# 5

# RAT ROD REAR END ASSEMBLY

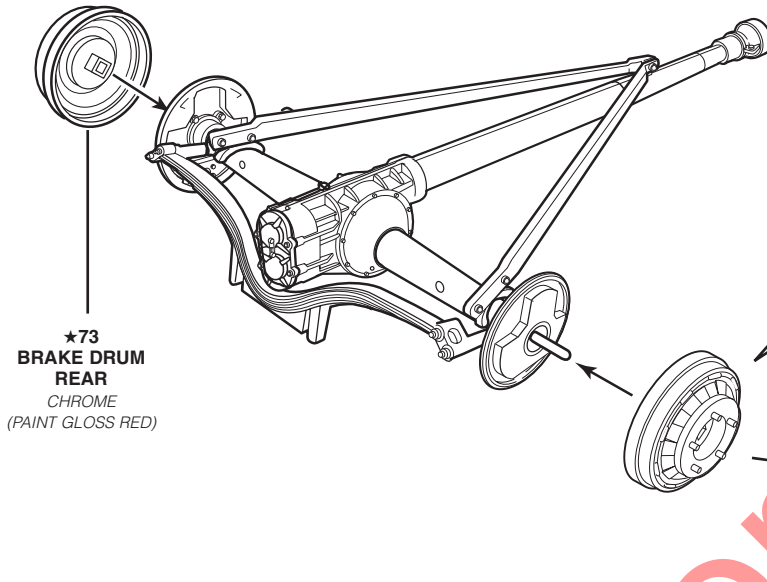




# 5

# RAT ROD REAR END ASSEMBLY CONTINUED

**E**



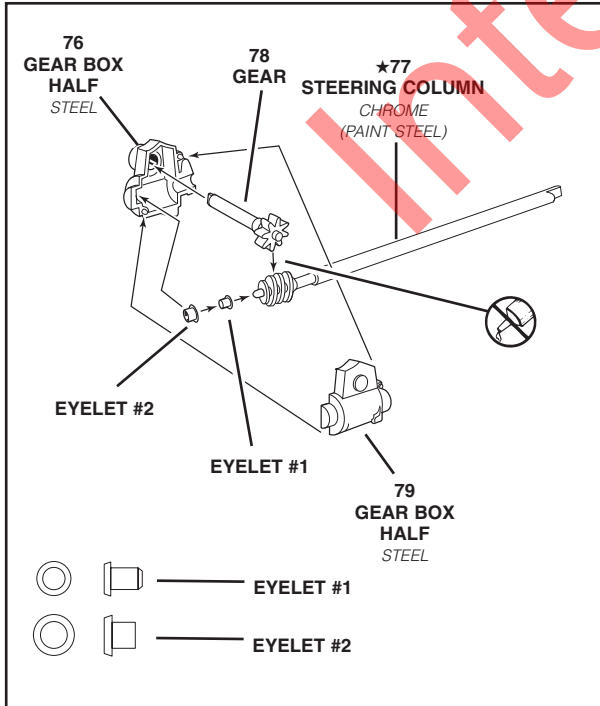
**NOTE: USE (35) AXLE TOOL TO PRESS METAL WHEEL RETAINER TO (★73) BRAKE DRUM REAR THROUGH METAL AXLE.**

35 AXLE TOOL

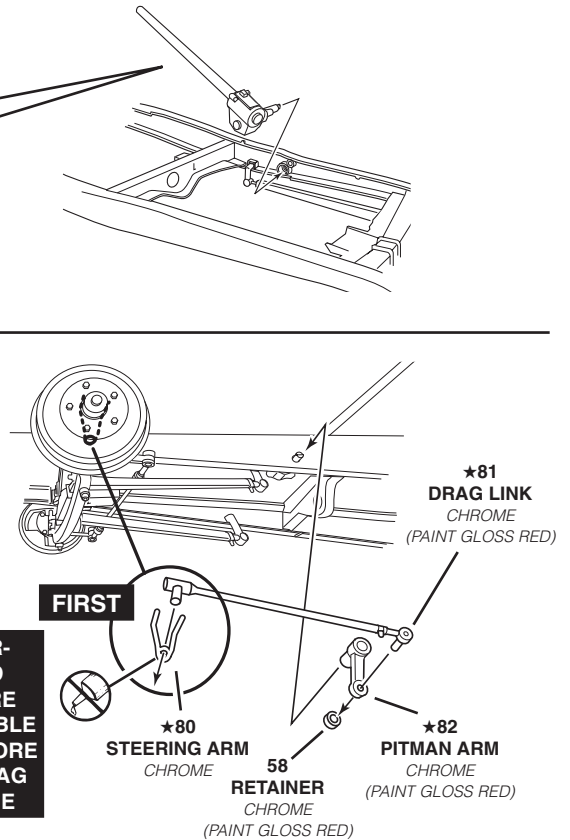
METAL RETAINER

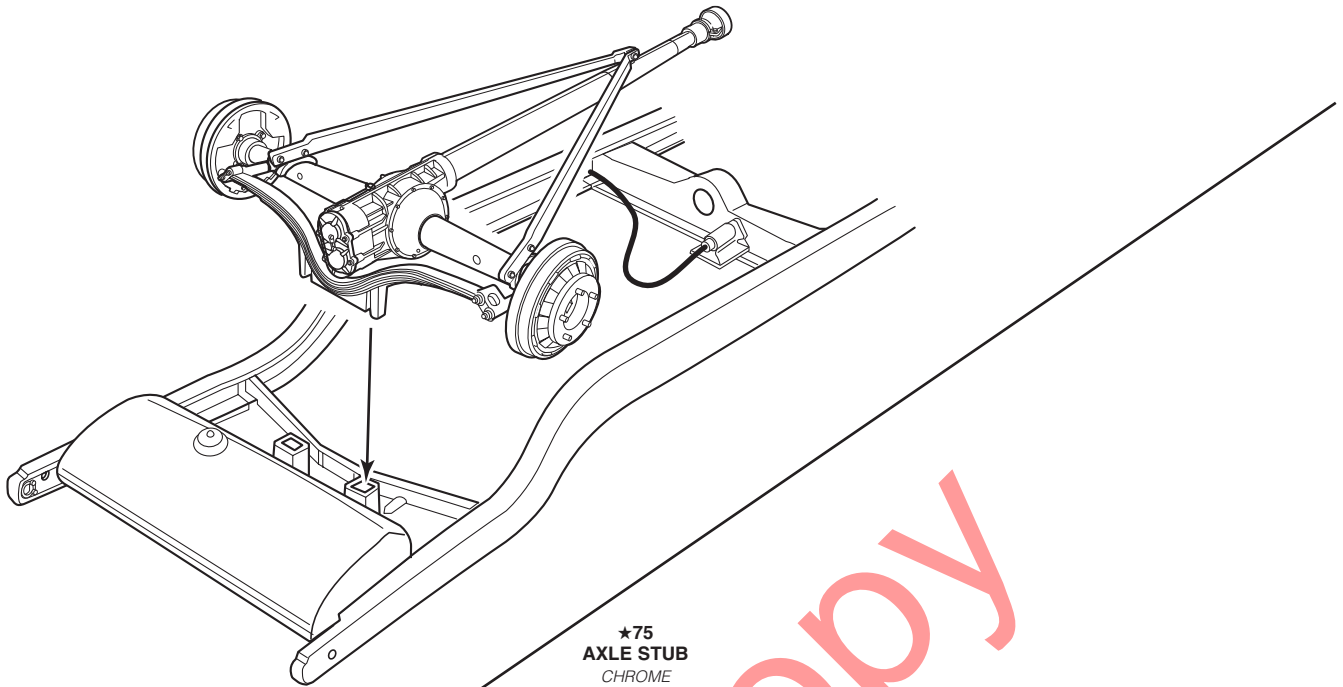
# 6

# RAT ROD GEAR ASSEMBLY



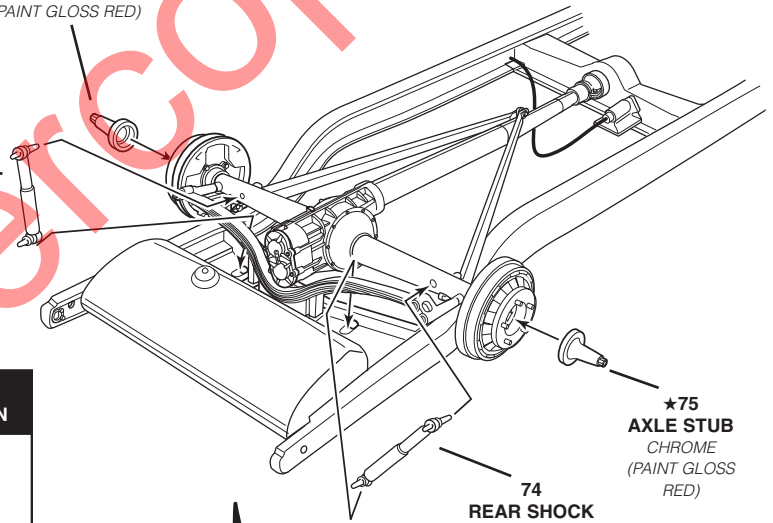
**NOTE: STEERING ARM AND DRAG LINK ARE KEYED. ASSEMBLE TOGETHER BEFORE ATTACHING DRAG LINK TO FRAME**





★75  
AXLE STUB  
CHROME  
(PAINT GLOSS RED)

74  
REAR SHOCK  
GLOSS RED

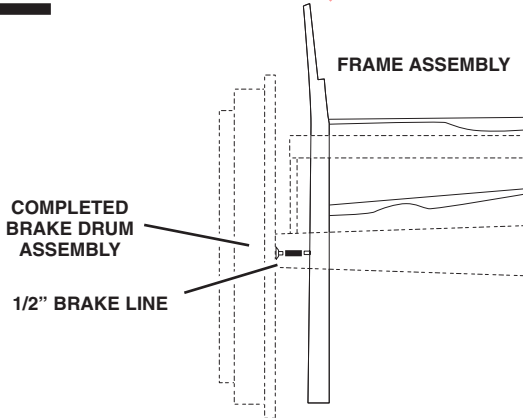


★75  
AXLE STUB  
CHROME  
(PAINT GLOSS RED)

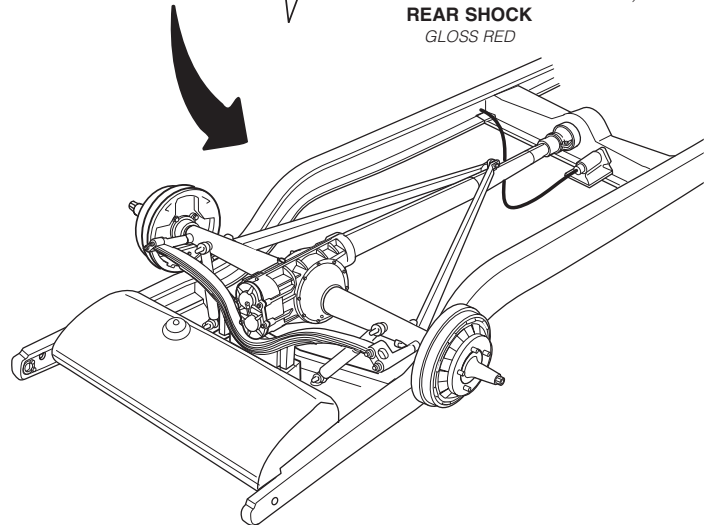
74  
REAR SHOCK  
GLOSS RED

NOTE: BRAKE LINE CONNECTS FROM THE COMPLETED BRAKE DRUM TO THE FRAME AS SHOWN IN ILLUSTRATION

Rear Brake Lines (Black) (1/2") x2

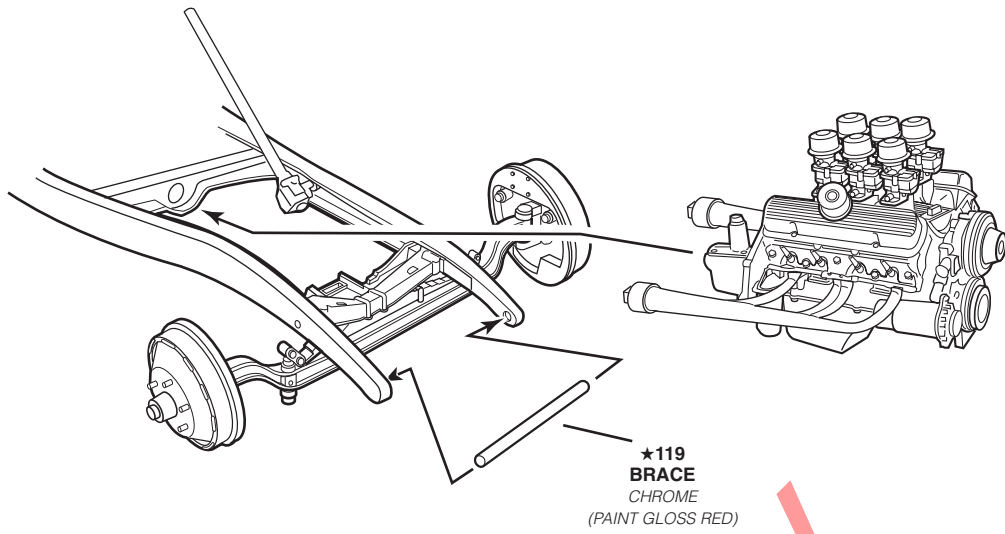


2X REPEAT FOR OTHER SIDE



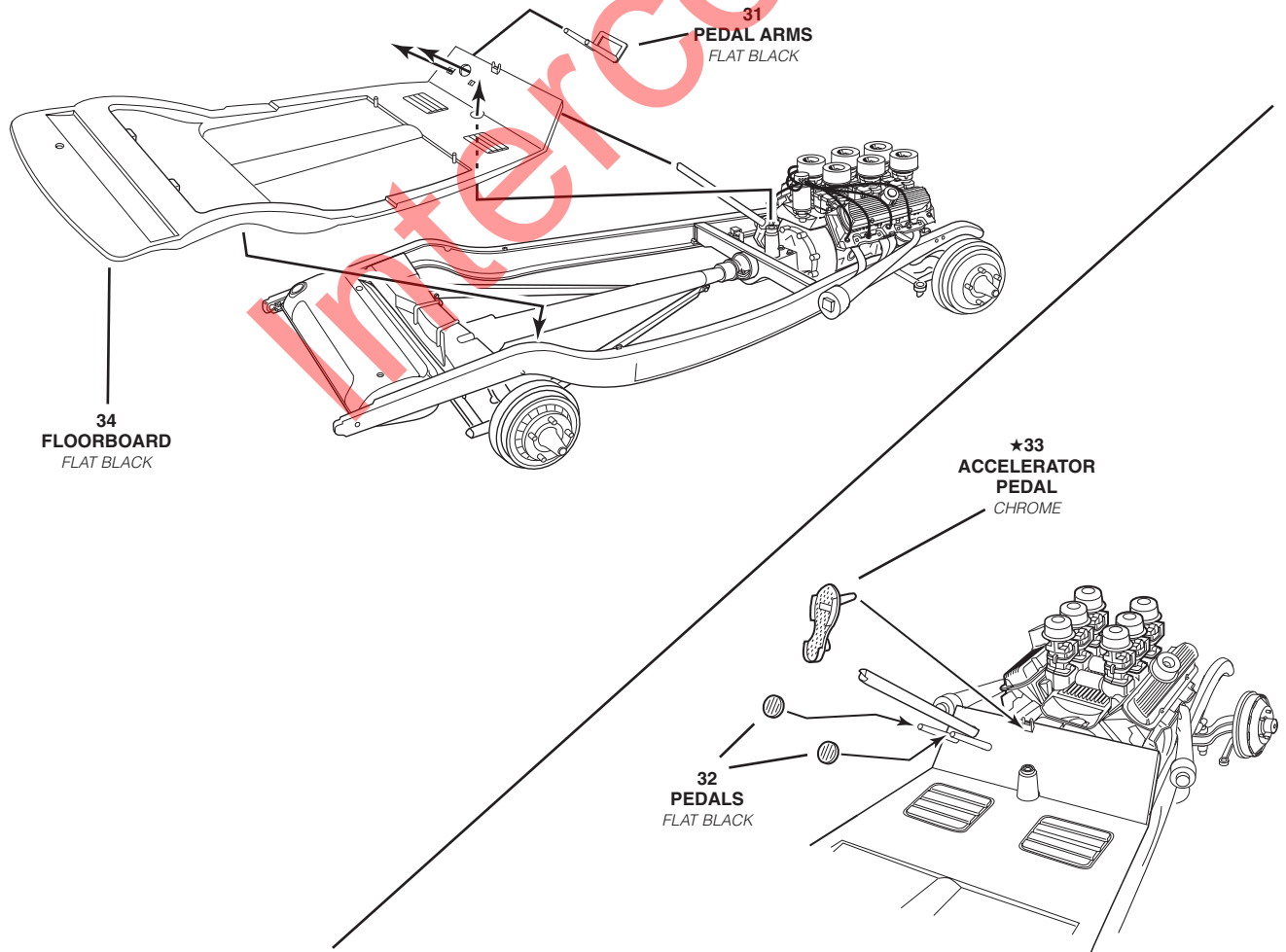
7

# RAT ROD ENGINE ASSEMBLY



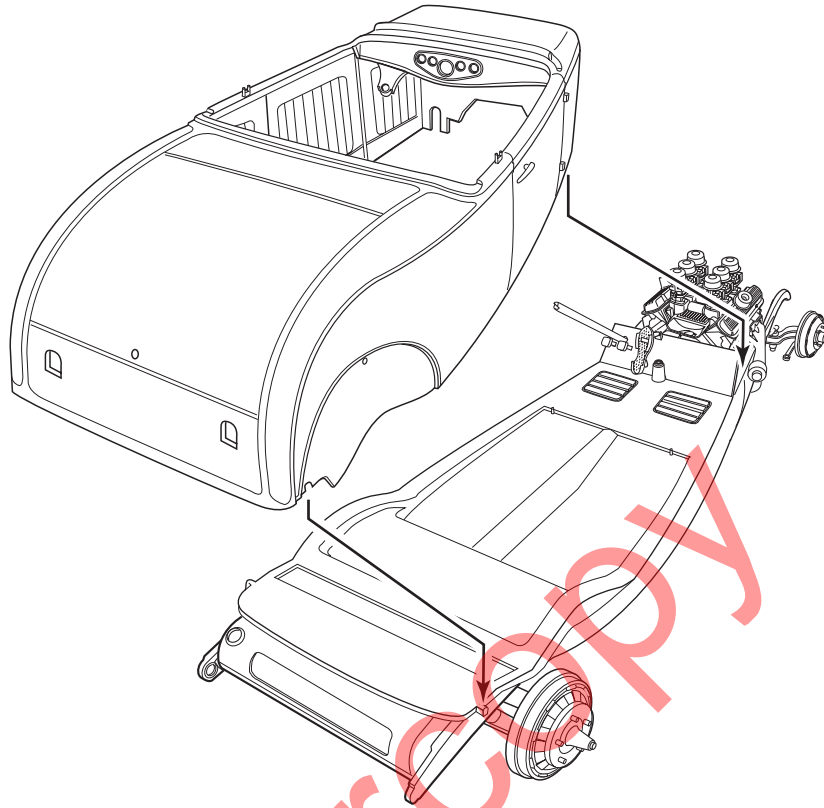
8

# RAT ROD BODY PAN ASSEMBLY



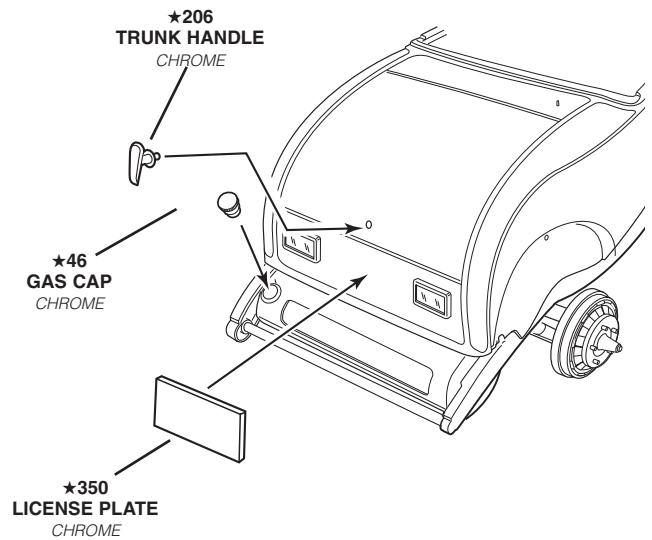
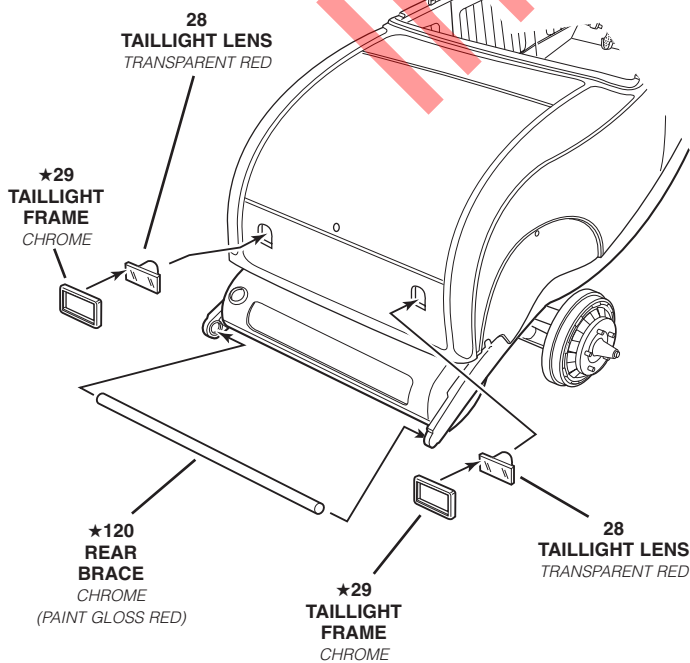
# 9

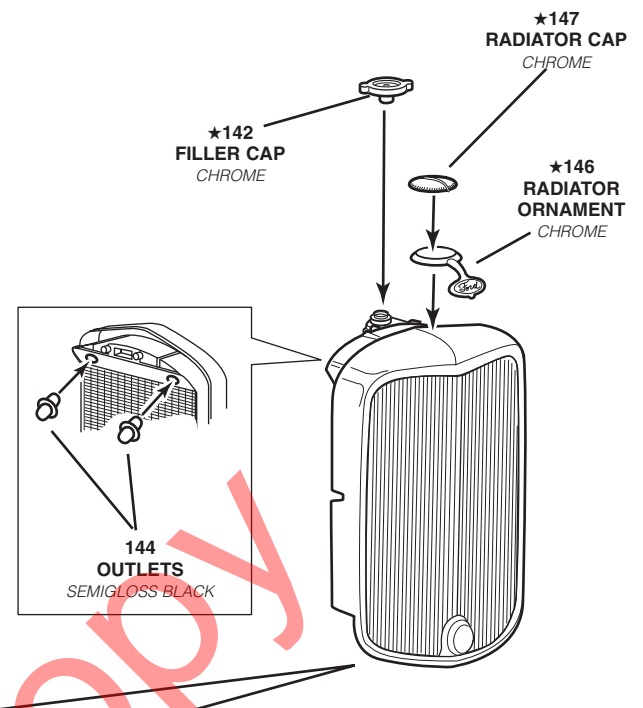
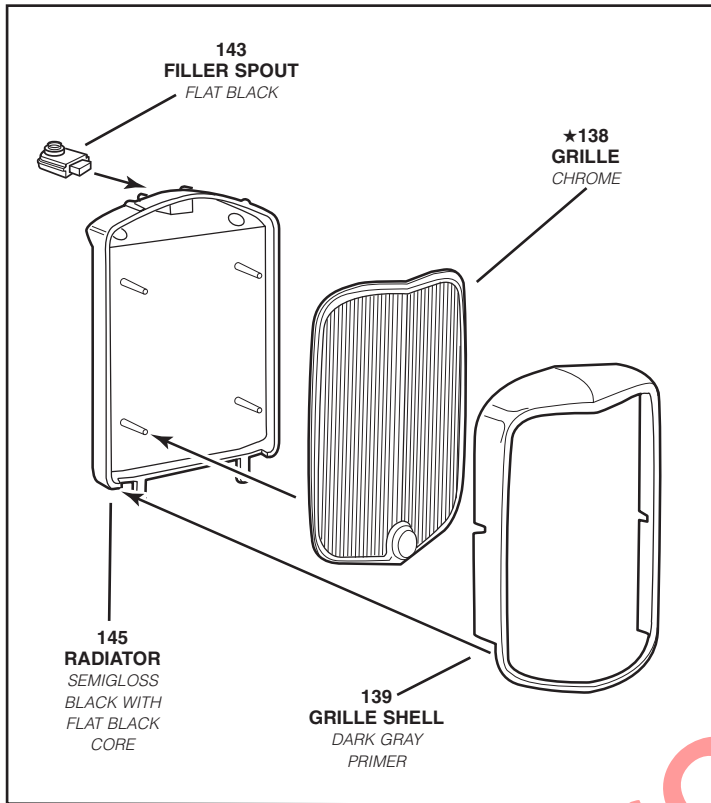
# RAT ROD BODY ASSEMBLY



# 10

# RAT ROD REAR END ASSEMBLY

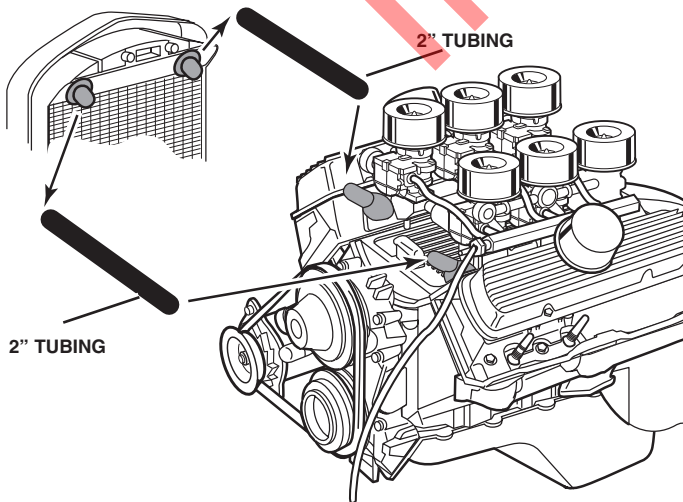




Radiator Lines (Black) (2") x2

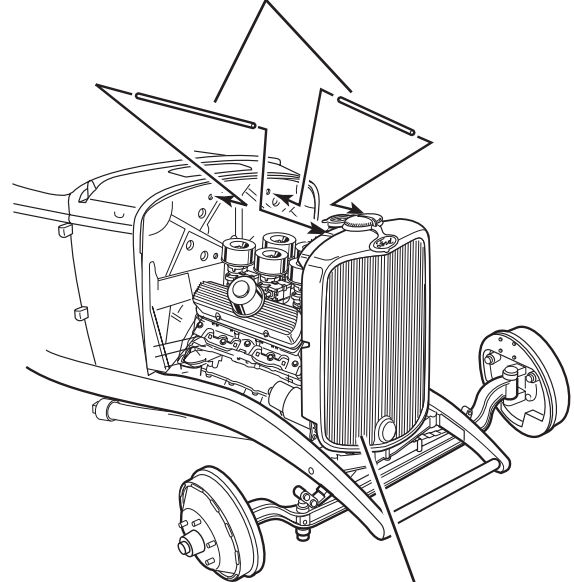


COMPLETED  
RADIATOR  
ASSEMBLY



COMPLETED  
ENGINE ASSEMBLY

WIRE BRACES



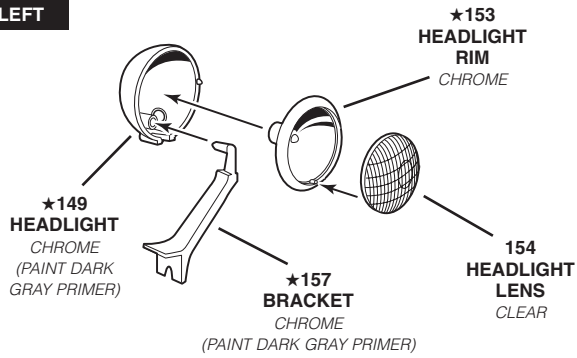
COMPLETED RADIATOR  
ASSEMBLY SHOWN IN PLACE



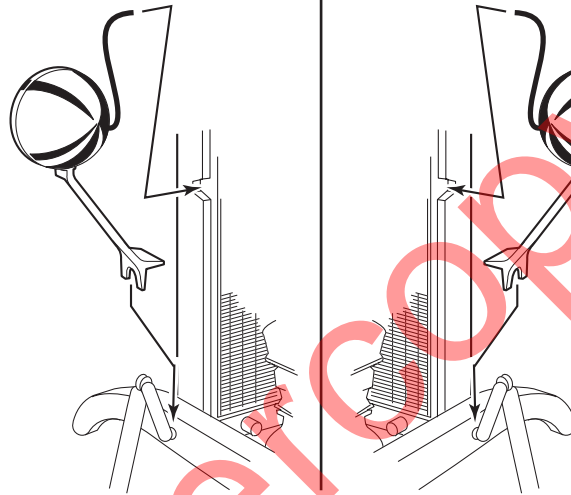
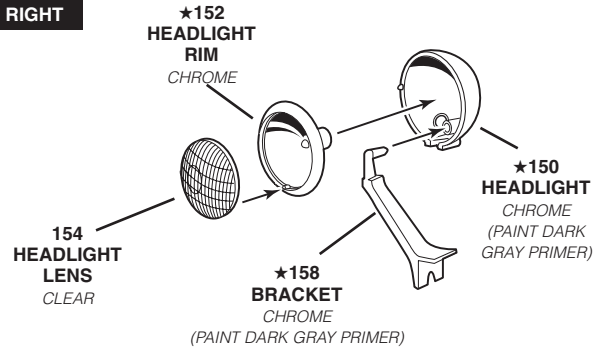
# 12

# RAT ROD LIGHT ASSEMBLY

LEFT



RIGHT

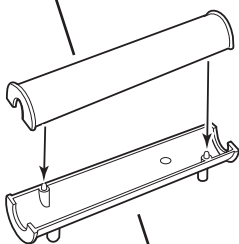


Headlight Lines (Black) (2 3/4" x 2)

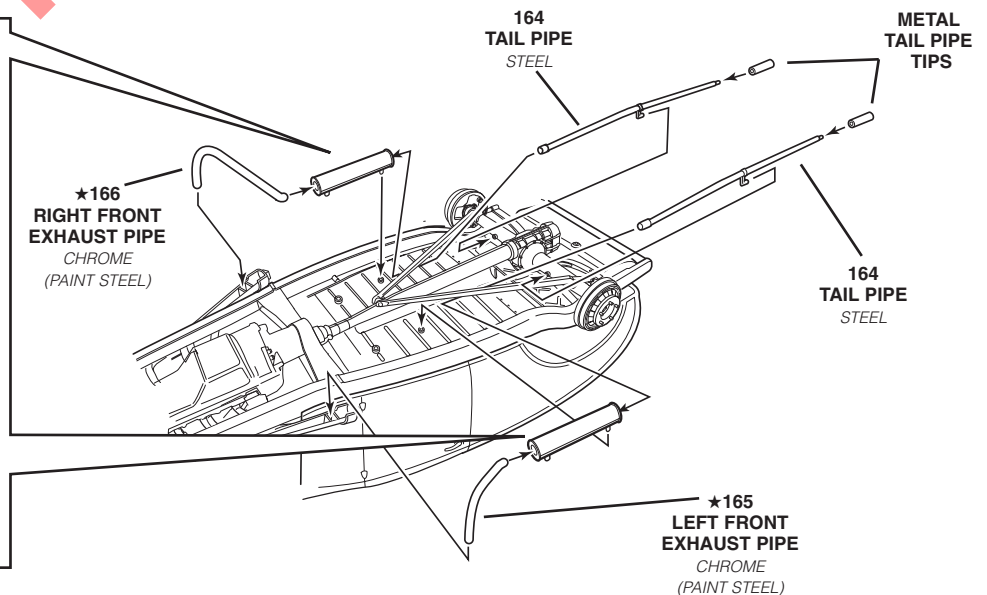
# 13

# RAT ROD EXHAUST ASSEMBLY

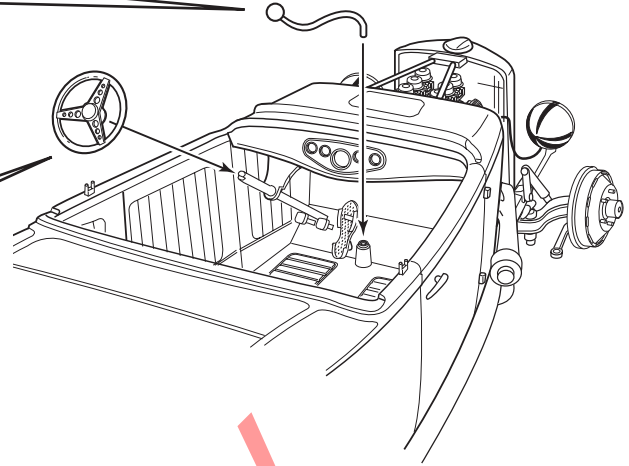
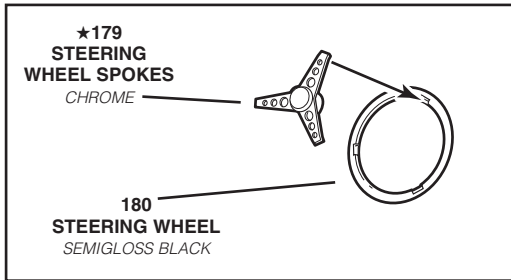
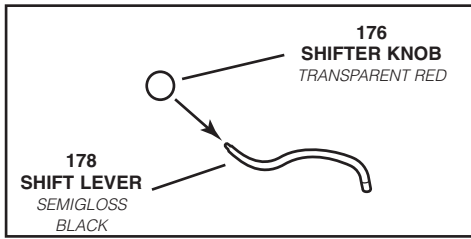
★136 A, B  
MUFFLER TOP  
HALF  
CHROME  
(PAINT ALUMINIUM)



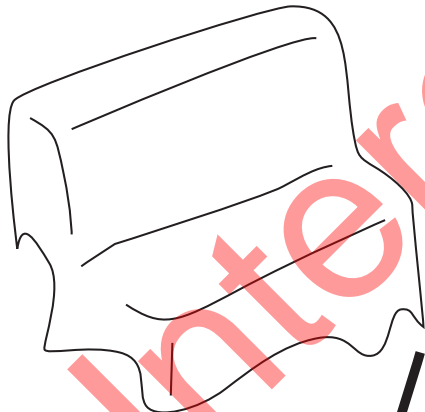
★166  
RIGHT FRONT  
EXHAUST PIPE  
CHROME  
(PAINT STEEL)



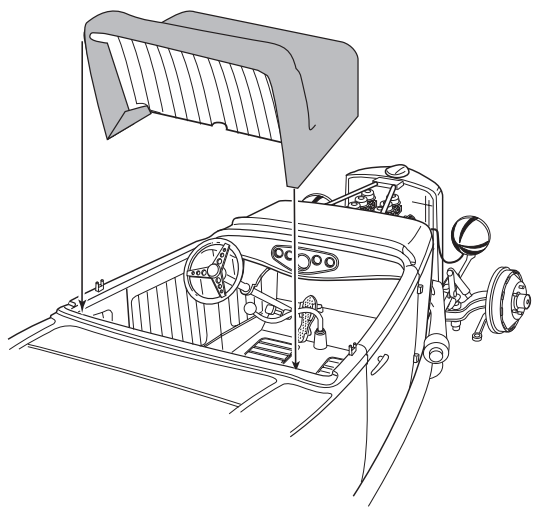
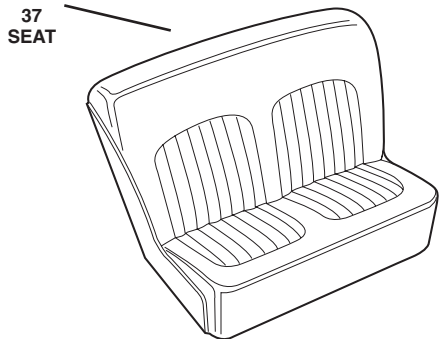
# 14 RAT ROD STEERING AND SHIFTER ASSEMBLY



# 15 RAT ROD SEAT ASSEMBLY



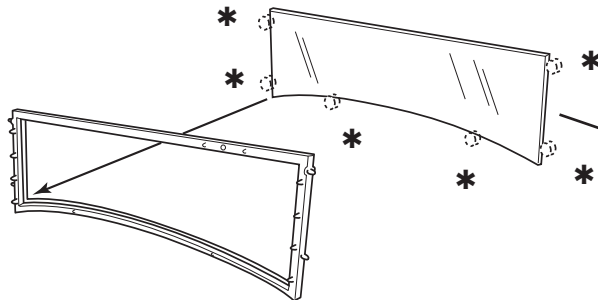
**NOTE: PLACE THE BLANKET OVER THE SEAT TO TEST FIT FOR PLACEMENT. DOUBLE STICK TAPE (WHICH IS NOT INCLUDED) MAY BE USED TO SECURE BLANKET TO SEAT.**





★182  
WINDSHIELD  
FRAME  
CHROME

★181  
WINDSHIELD  
CLEAR



★185  
RIGHT WINDSHIELD  
BRACE  
CHROME  
(PAINT DARK GRAY PRIMER)

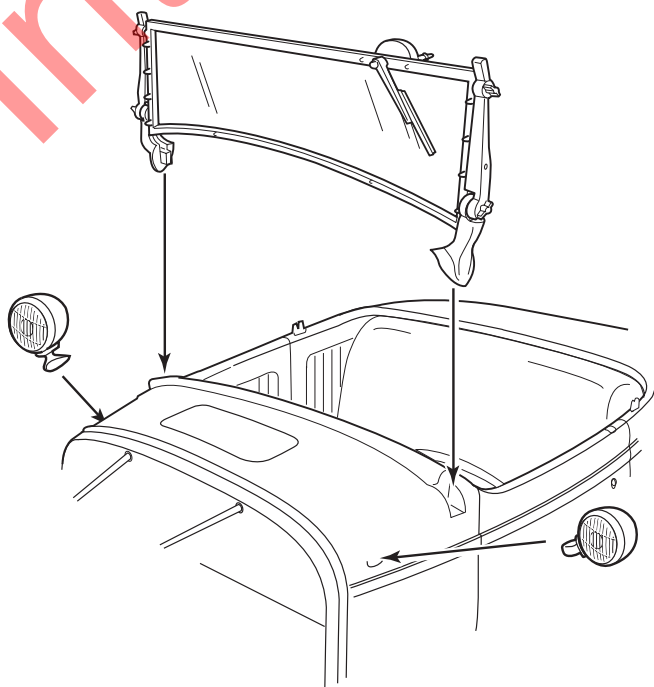
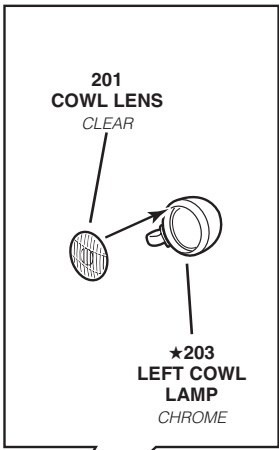
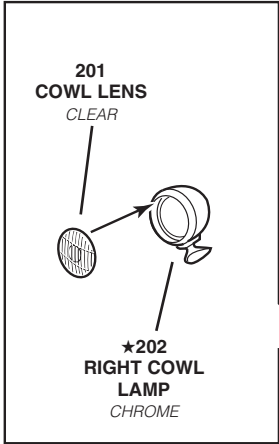
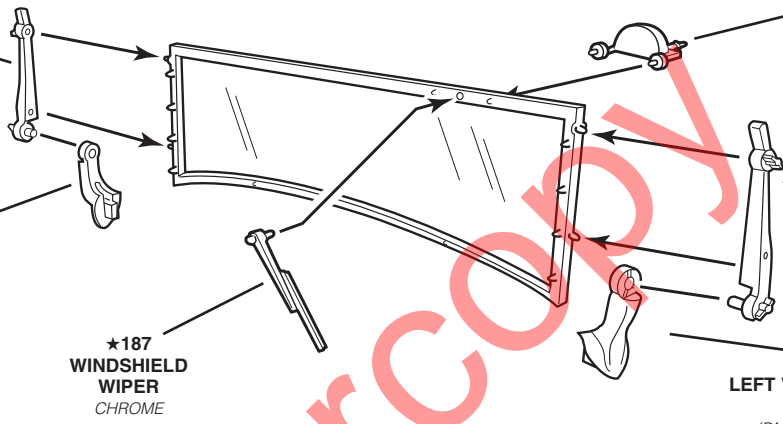
★188  
WIPER MOTOR  
CHROME

★183  
RIGHT WINDSHIELD  
BRACKET  
CHROME  
(PAINT DARK GRAY PRIMER)

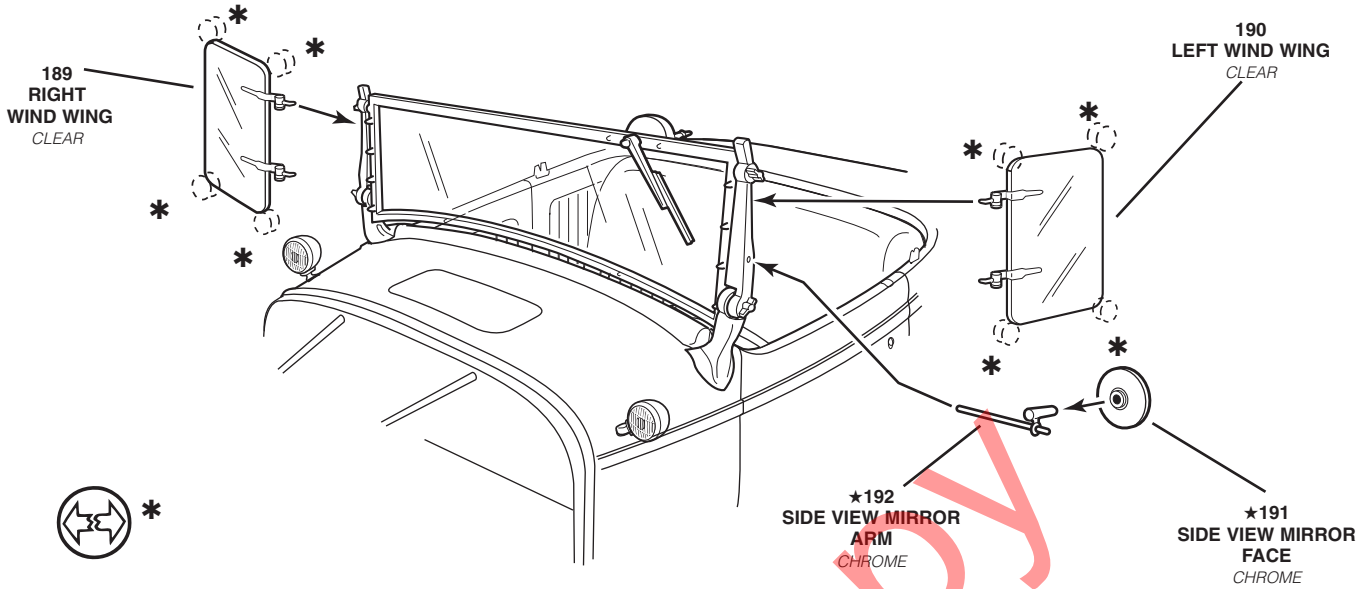
★186  
LEFT WINDSHIELD BRACE  
CHROME  
(PAINT DARK GRAY PRIMER)

★187  
WINDSHIELD  
WIPER  
CHROME

★184  
LEFT WINDSHIELD BRACKET  
CHROME  
(PAINT DARK GRAY PRIMER)

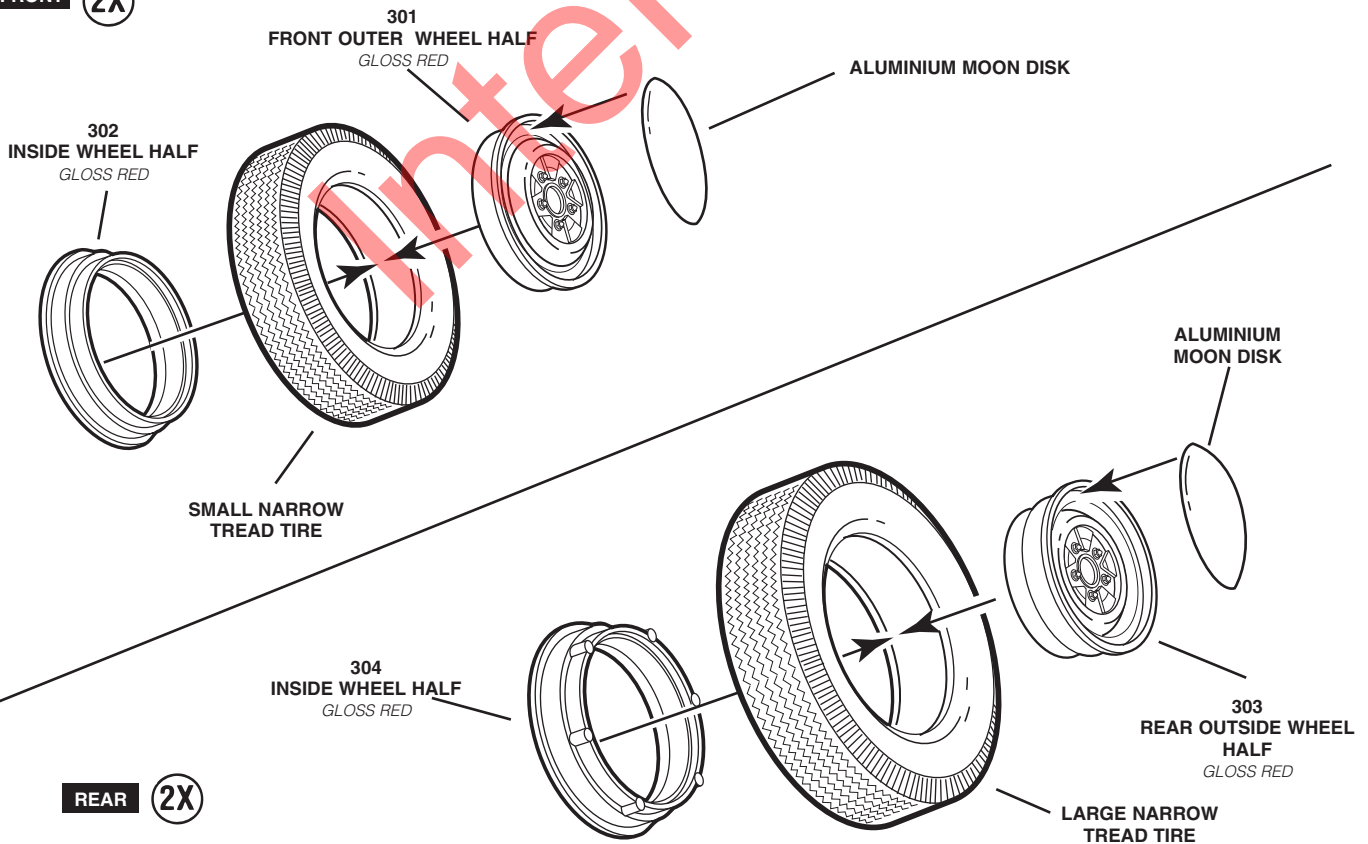


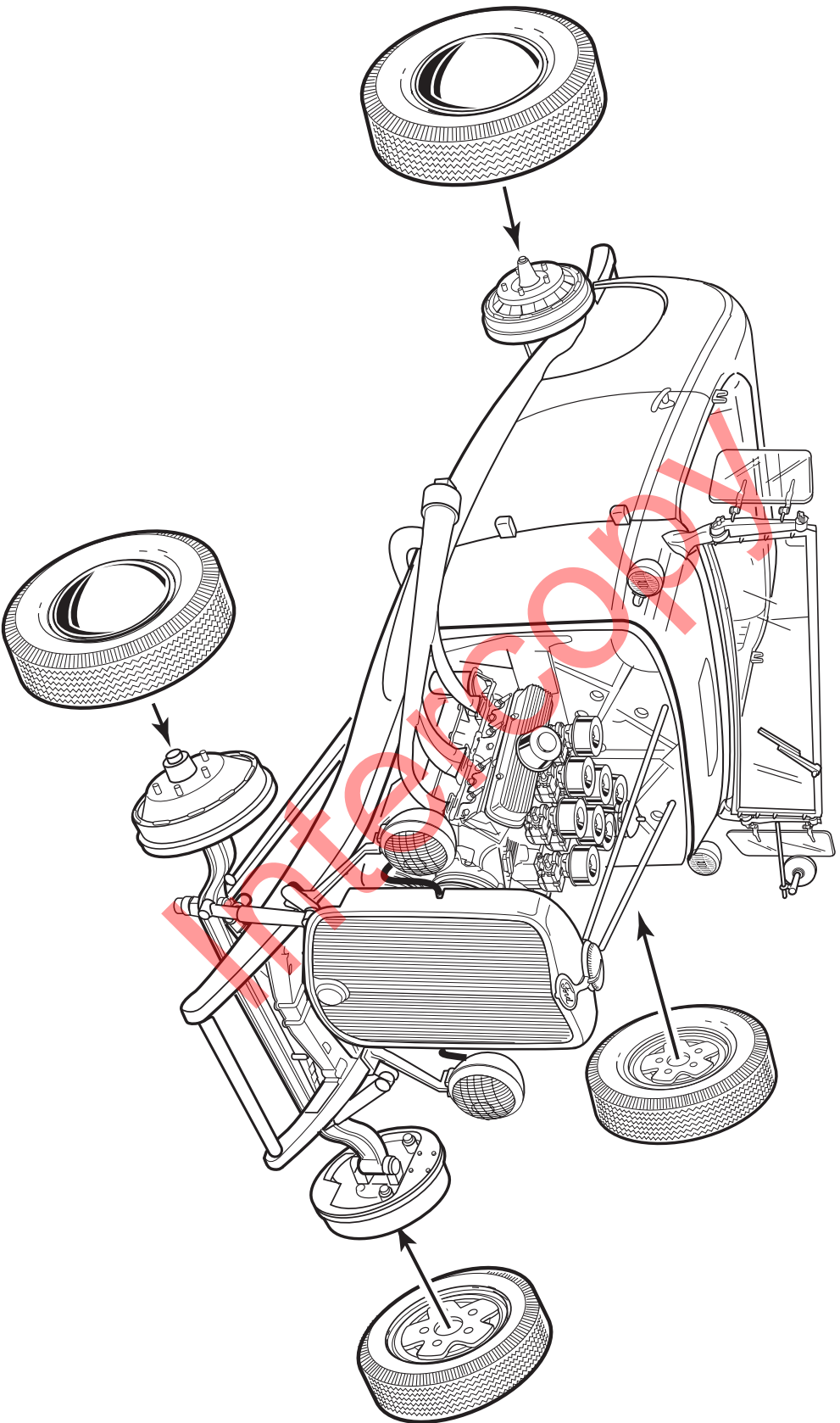
# 16 RAT ROD WINDSHIELD ASSEMBLY CONTINUED



# 17 RAT ROD TIRE ASSEMBLY

FRONT (2X)







Intake Manifold Lines (Black) (9/16") x3

Fuel Lines (Red Tint) - Short (5/16") x3

Fuel Lines (Red Tint) - Medium (1 5/16") x3

Fuel Line (Red Tint) - Long (3 9/16") x1

Spark Plug Wires (Red) 1 & 2 (7 9/16") x1

Spark Plug Wires (Red) 7 & 8 (5 5/8") x1

Spark Plug Wires (Red) 3 & 4 (6 5/8") x1

Spark Plug Wires (Red) 5 & 6 (5 15/16") x1

Spark Plug Connectors (Black) (1/8") x8

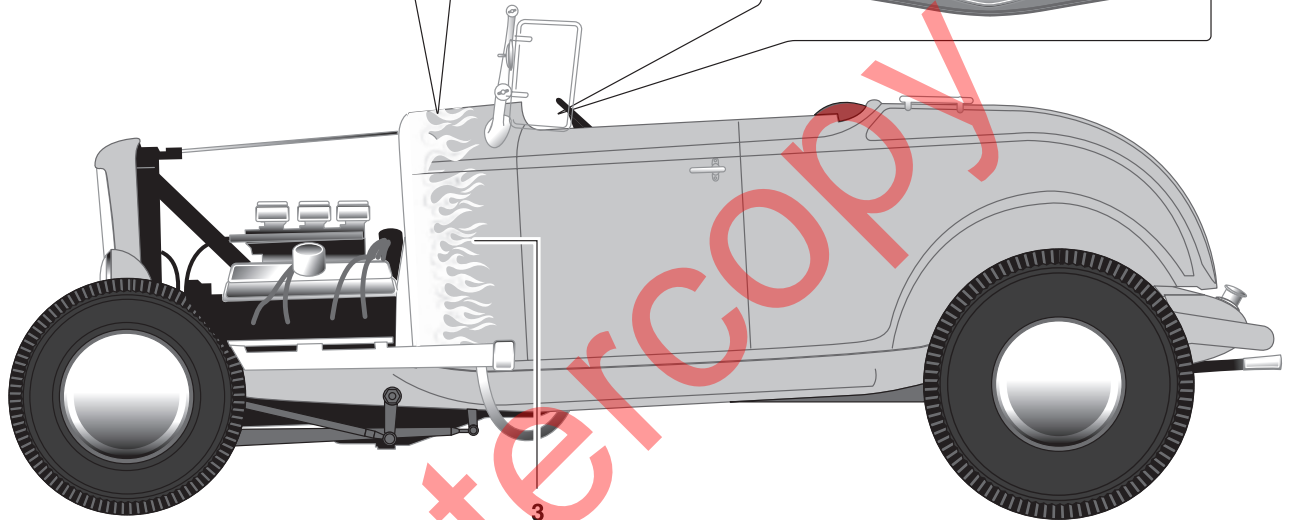
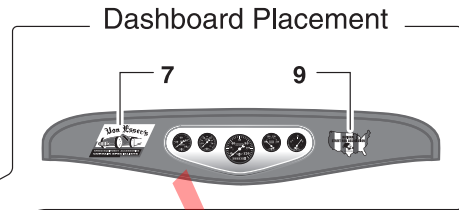
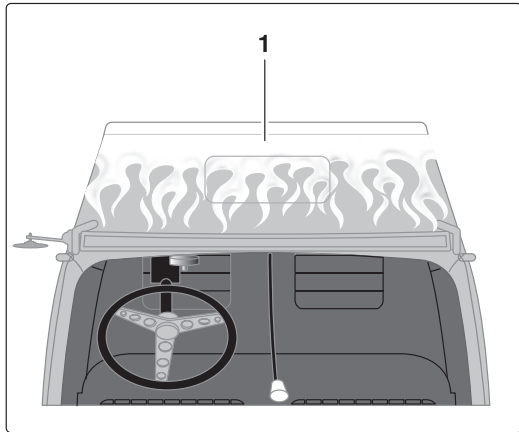
Cylinder Brake Line (Black) (3 1/2") x1

Front Brake Lines (Black) (2 1/4") x2

Rear Brake Lines (Black) (1/2") x2

Radiator Lines (Black) (2") x2

Headlight Lines (Black) (2 3/4") x2



3  
REPEAT FOR  
OTHER SIDE  
USING DECAL 2

