



KIT2829

85282900200

# 1999 Mitsubishi Eclipse

## 2 'n 1 TUNER SERIES

Wherever you go in the world, you'll find people who dig their cars. Sure, there are plenty of folks for whom a car is a necessary evil, a conveyance to get to work or the market in. But for many, driving is fun, a whole lot of fun when the speed picks up. For over half a century, car enthusiasts have searched for ways to extract more fun from their cars.

Back then, as well as today, one picks up a car that can be obtained at a low price and then fixes it up to look better as well as go faster.

These days, it really hasn't changed much. The cars change and the faces working on them are noticeably younger, but it's really all the same. Durable, inexpensive import cars have been with us for decades now. So it's no wonder that these modified sport compacts are the new breed of hot rods. Now, many companies that have been producing modified and beefed up parts for the old V8 hot rods now are producing the same for 4 and 6 cylinder overhead cam engines. With these, (and a full compliment of computers), ingenious tuners are pulling enormous amounts of horsepower out these little

motors.

Among the favorite subjects for this transformation is the Mitsubishi Eclipse, the subject of your Revell kit. Since first introduced, the Eclipse has been worked over by the tuner crowd and as a result, seen all over America wearing large diameter wheels and eye-catching custom graphics. Exposure in recent feature films and Mitsubishi's catchy television commercials have helped raise the Eclipse's awareness, also.

Now would be a good time to spend a few moments looking over this plan and thinking about what you would like to have your Eclipse look like. We have included some extra goodies to consider: three complete front end and two rear end bumper & tail lamp treatments; three sets of wheels; a pair of rear wings and two separate hoods, one custom and the other stock, but molded in tricky clear plastic! Of course, if you're so inclined, the clear hood can be painted to match (or not match) the rest of your creation. We hope you have as much fun building your new kit as we had designing it for you.



\* REPEAT SEVERAL TIMES  
\* A REPETER PLUSIEURS FOIS



\* OPTIONAL PARTS  
\* PIECES EN OPTION



\* DECAL  
\* DECAL COMANIE



\* ALTERNATIVE ASSEMBLY  
\* ENSEMBLAGE ALTERNATIVE



\* CEMENT TOGETHER  
\* A COLLER



\* REMOVE AND THROW AWAY  
\* A RETIRER ET JETER



\* DO NOT CEMENT  
\* NE PAS COLLER

### READ THIS BEFORE YOU BEGIN

- \* Study the assembly drawings.
- \* Each plastic part is identified by a number.
- \* In the assembly drawings, some parts will be marked by a star (★) to indicate chrome plated plastic.
- \* For better paint and decal adhesion, wash the plastic parts in a mild detergent solution. Rinse and let air dry.
- \* Check the fit of each piece before cementing in place.
- \* Use only cement for polystyrene plastic.
- \* Scrape plating and paint from areas to be cemented.
- \* Allow paint to dry thoroughly before handling parts.
- \* Any unused parts may be discarded.

### DECAL APPLICATION INSTRUCTIONS

1. Cut desired decal from sheet.
2. Dip decal in water for a few seconds.
3. Place wet decal on paper towel.
4. Wait until decal is movable on paper backing.
5. Place decal in position on model, face up and slide backing away.
6. Press out air bubbles with a soft damp cloth.
7. Milkyness that may appear is for better decal adhesion and will dry clear. Wipe away any excess adhesive.
8. Do not touch decal until fully dry.
9. Allow the decals 48 hours to dry before applying clear coat.

**NOTE:** Decals are compatible with setting solutions or solvents.

### LIRE CE QUI SUIT AVANT DE COMMENCER

- \* Etudier les schémas de montage.
- \* Chaque pièce en plastique est identifiée par un numéro.
- \* Sur les schémas de montage, certaines pièces sont marquées d'une étoile (★) pour indiquer qu'elles sont en plastique chromé.
- \* Pour une meilleure prise de la peinture et des autocollants, laver les pièces en plastique avec une solution détergente peu concentrée. Les rincer et les laisser sécher à l'air.
- \* Vérifier que chaque pièce s'ajuste bien avant de la coller en place.
- \* N'utiliser que de la colle pour polystyrène.
- \* Gratter les parties à coller pour enlever le chrome et la peinture.
- \* Laisser la peinture bien sécher avant de manipuler les pièces.
- \* Toute pièce inutilisée peut être jetée.

### DIRECTIVES D'APPLICATION DES AUTOCOLLANTS

1. Découper l'autocollant désiré de la feuille.
2. Tremper l'autocollant dans de l'eau pendant quelques secondes.
3. Placer l'autocollant mouillé sur une serviette en papier.
4. Attendez que l'autocollant puisse être déplacé sur son support en papier.
5. Mettre l'autocollant en position sur le modèle face sur le dessus et faire glisser le support pour l'enlever.
6. Appuyer avec un chiffon doux humide pour éliminer les bulles d'air.
7. La substance laiteuse qui peut apparaître est destinée à améliorer l'adhésion de l'autocollant et devient incolore au séchage. Essuyer pour enlever tout excédent d'adhésif.
8. Ne pas toucher l'autocollant tant qu'il n'est pas bien sec.
9. Laisser l'autocollant sécher pendant 48 heures avant d'appliquer une couche transparente.

**REMARQUE:** Les autocollants sont compatibles avec les solutions de fixation ou les solvants.

**This optional paint guide is provided if you choose to detail paint your model.**

*Ce guide de peinture vous sera fourni si vous choisissez de peindre votre modèle en détail.*

Aluminium	Aluminium
Flat Black	Noir mat
Flat Blue	Bleu mat
Flat Brown	Brun mat
Flat Red	Rouge mat
Gloss Black	Noir brillant
Gloss Blue	Bleu clair brillant
Gloss Dark Blue	Bleu foncé brillant
Gloss Red	Rouge brillant
Graphite Metallic	Graphite métallisé
Metallic Dark Green	Vert foncé métallisé
Satin Red	Rouge satiné
Satin White	Blanc satiné
Semigloss Black	Noir satiné
Silver	Argent
Steel	Acier
Tan	Havane
Transparent Red	Rouge transparent
Turn Signal Amber	Feu clignotant de direction ambre

If you have any questions or comments, call our hotline at: **(800) 833-3570**  
or, please write to:

**Revell-Monogram Consumer Service Department, 725 Landwehr Road, Northbrook, Illinois 60062**

Be sure to include the plan number (85282900200), part number, description, your return address and phone number.

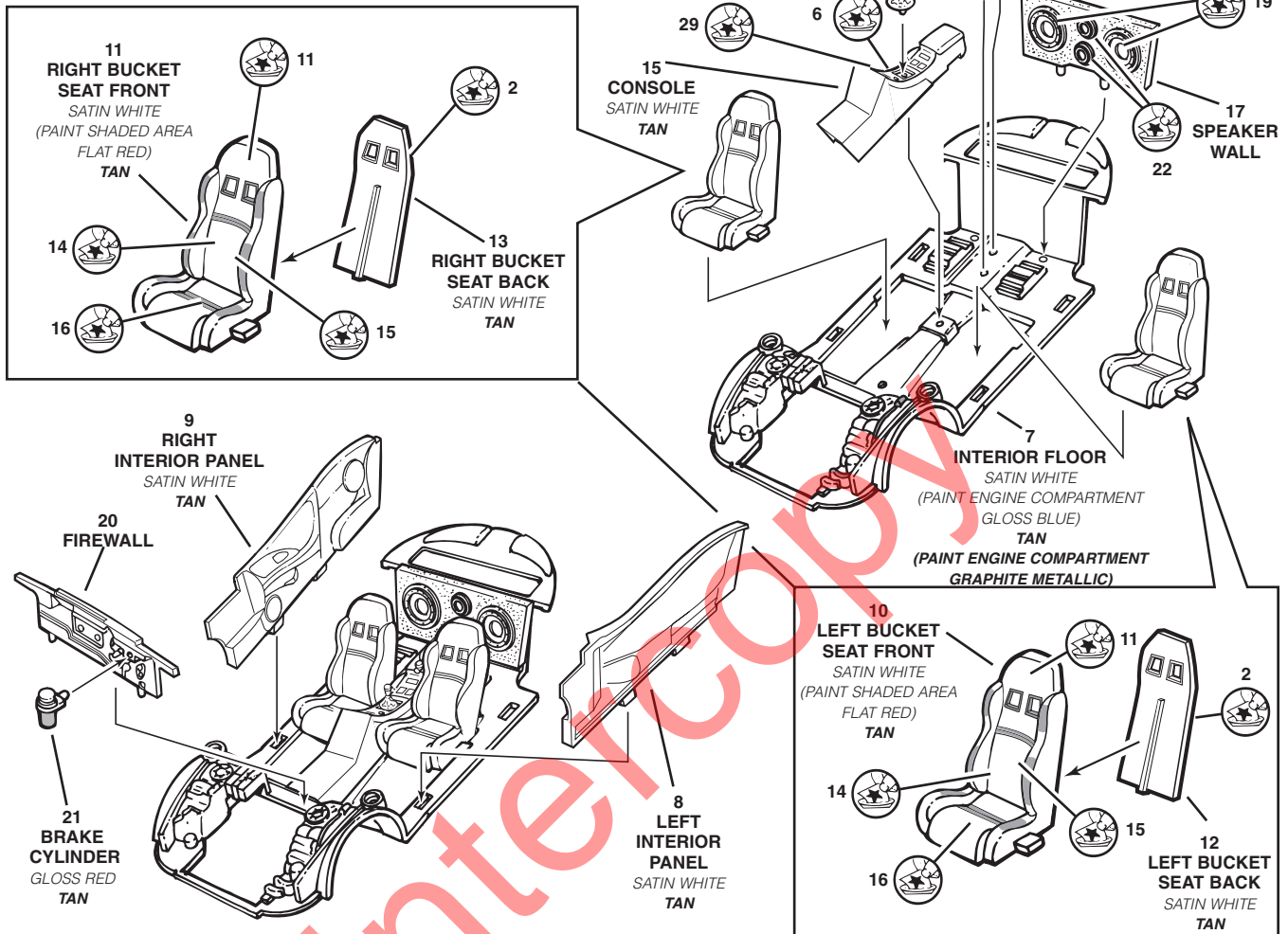
Visit our website: [www.revellmonogram.com](http://www.revellmonogram.com)

# 1

# INTERIOR ASSEMBLY

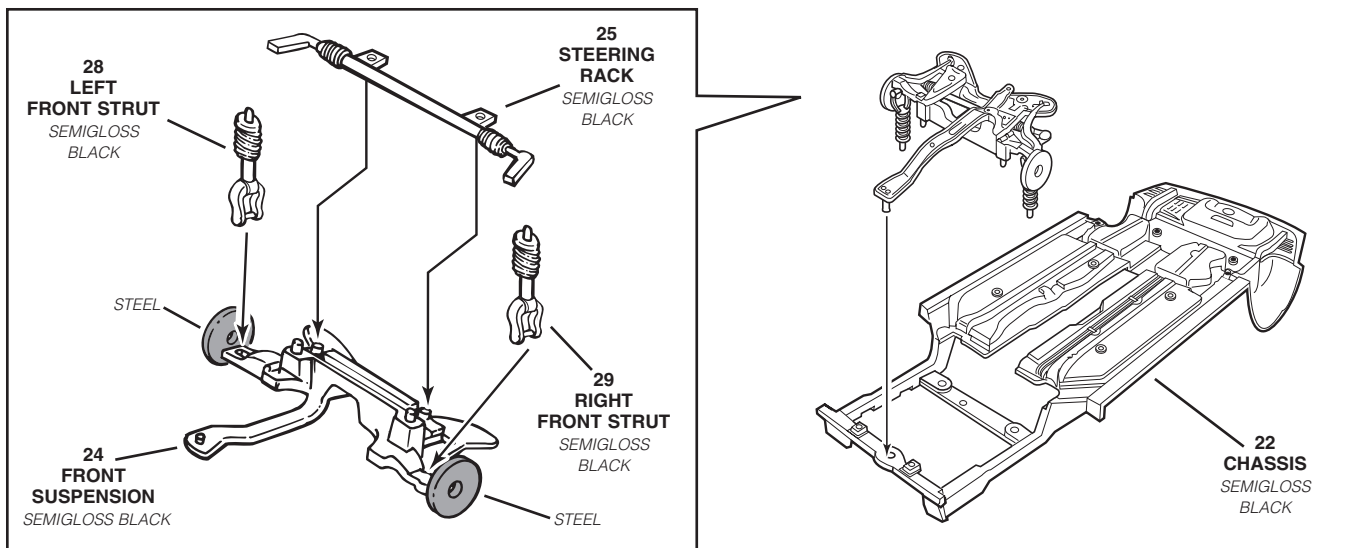


**NOTE:** *ITALICIZED* COLOR CALL OUTS REPRESENT CUSTOM HOOD TUNER COLORS. **BOLD ITALICIZED** COLOR CALL OUTS REPRESENT CLEAR HOOD TUNER VERSION. CALLOUTS THAT ONLY SHOW ONE COLOR IS COMMON TO BOTH TUNER VERSIONS.



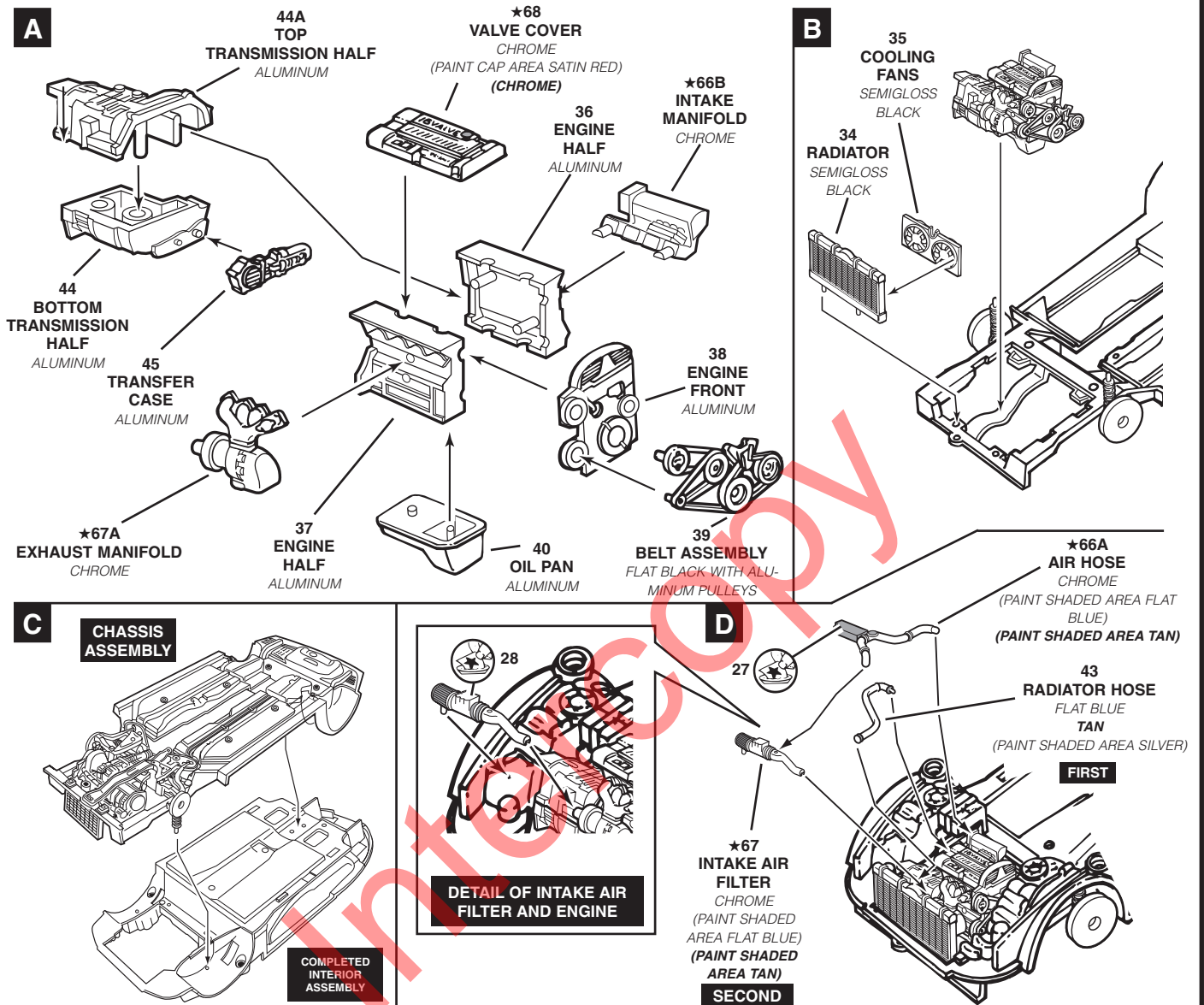
# 2

# SUSPENSION ASSEMBLY



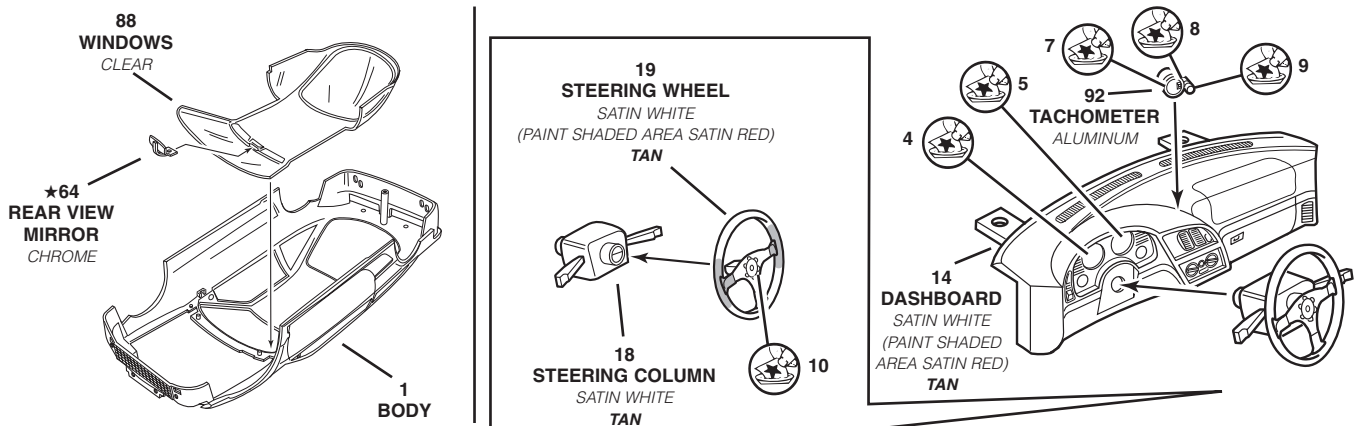
# 3

# ENGINE ASSEMBLY



# 4

# WINDOW AND DASH ASSEMBLY

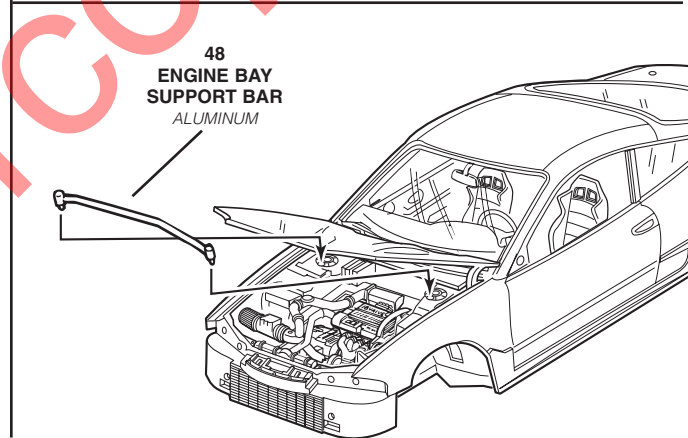
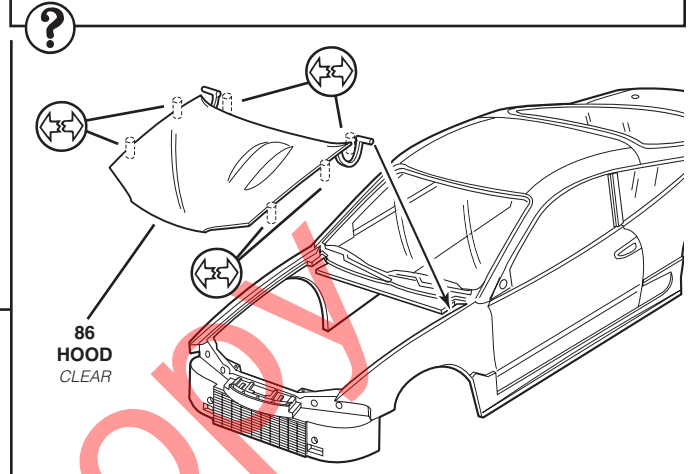
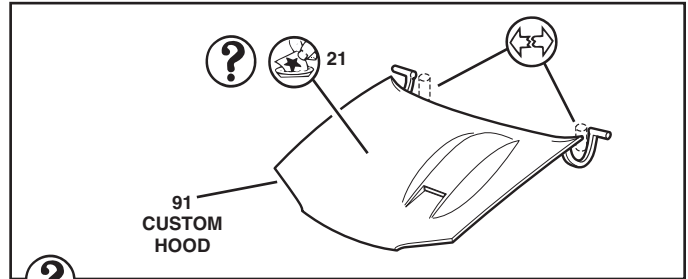
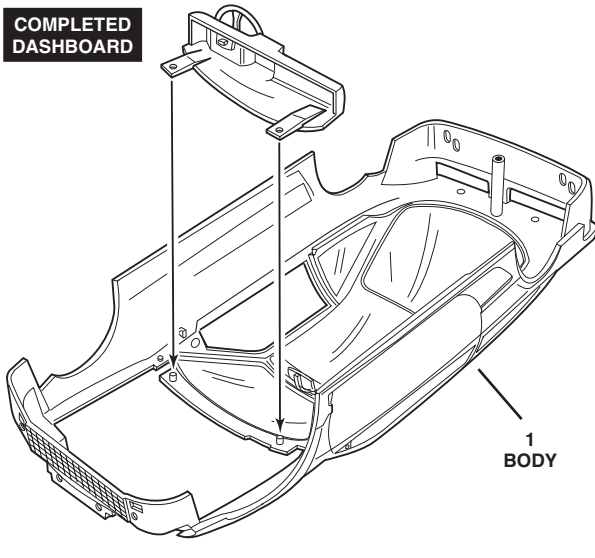




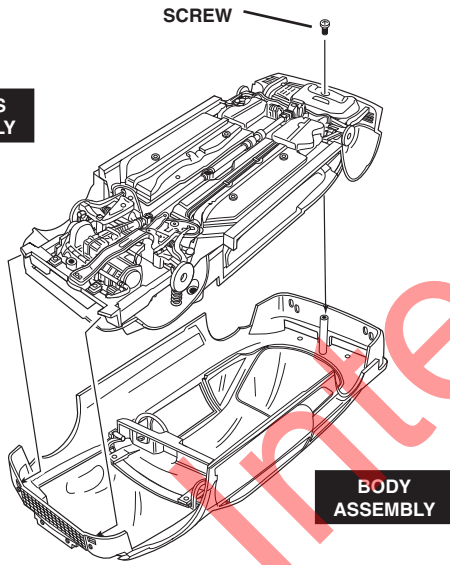
# 5

# DASH AND BODY ASSEMBLY

COMPLETED DASHBOARD

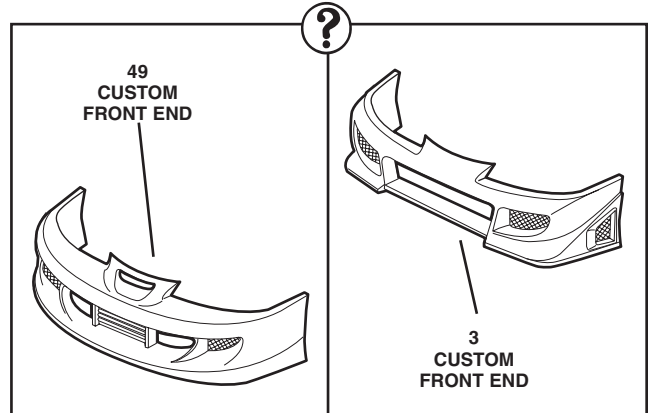
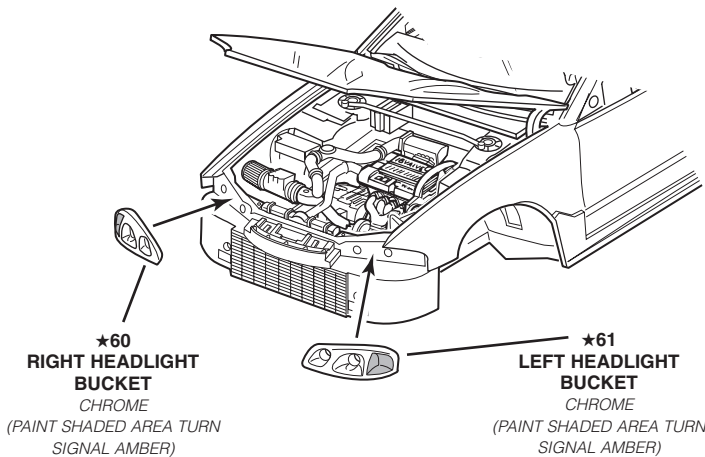


CHASSIS ASSEMBLY



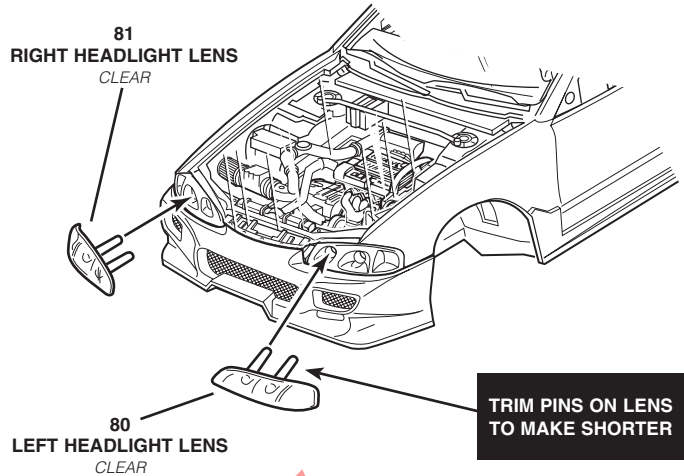
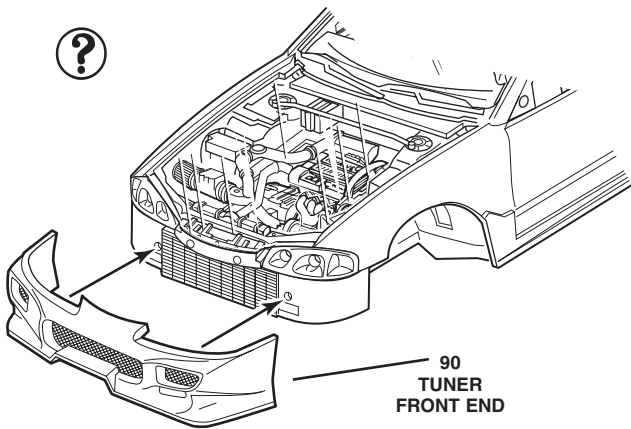
# 6

# FRONT ASSEMBLY



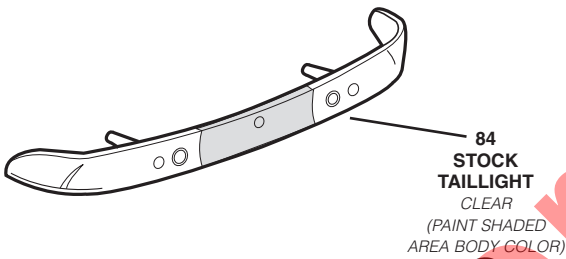
6

# FRONT ASSEMBLY CONTINUED

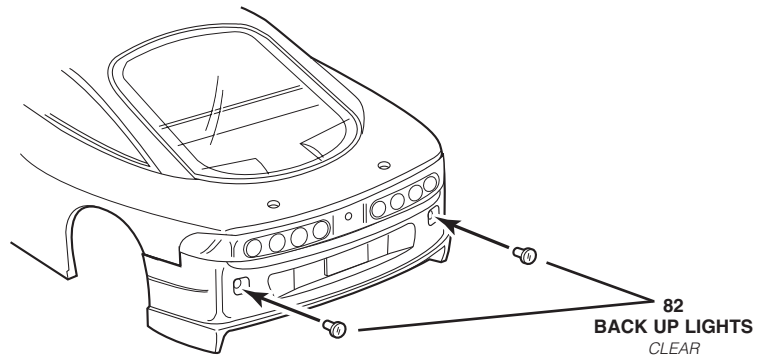
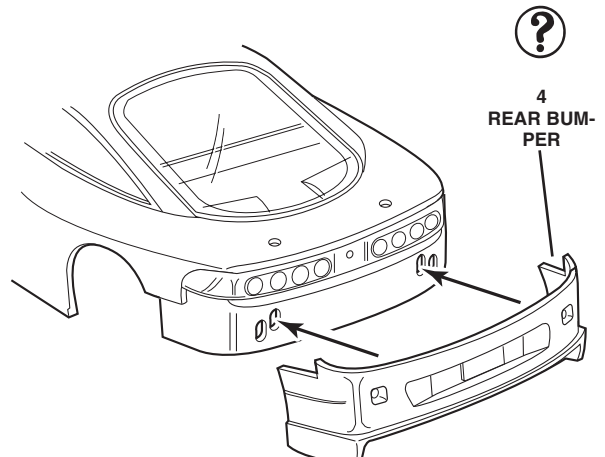
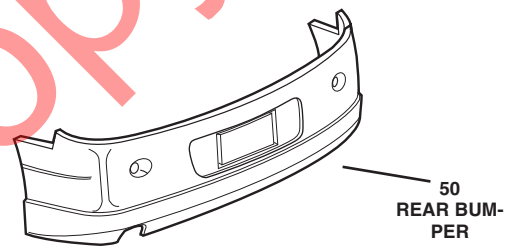
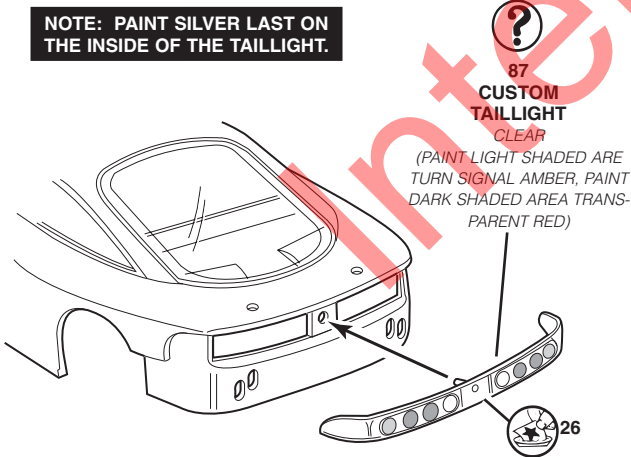


7

# REAR ASSEMBLY



NOTE: PAINT SILVER LAST ON THE INSIDE OF THE TAILLIGHT.

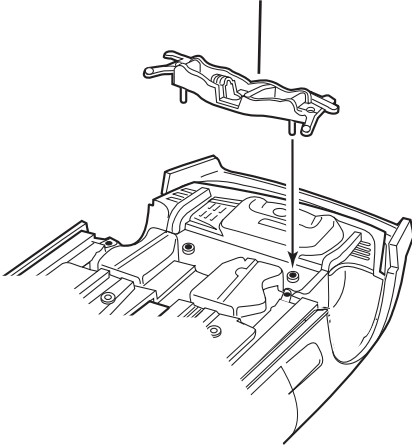


# 8

# CHASSIS ASSEMBLY

**A**

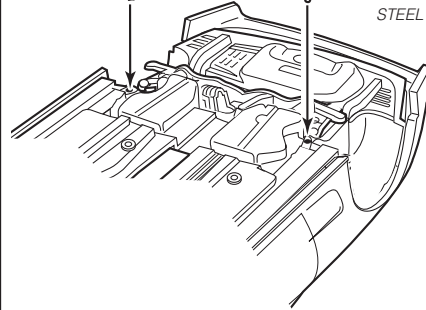
31  
REAR SUSPENSION  
SEMIGLOSS BLACK



**B**

33  
RIGHT REAR  
CONTROL ARM  
SEMIGLOSS BLACK

STEEL

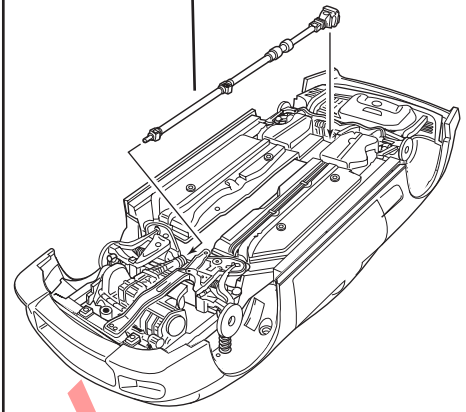


32  
LEFT REAR  
CONTROL ARM  
SEMIGLOSS BLACK

STEEL

**C**

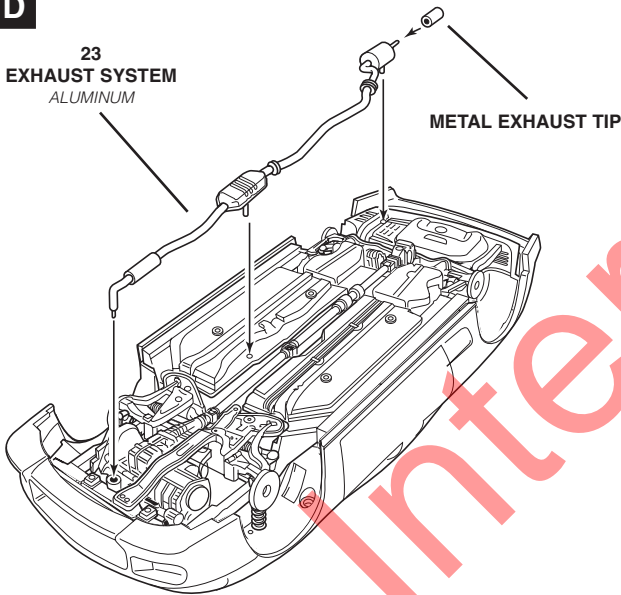
30  
DRIVESHAFT  
SEMIGLOSS BLACK



**D**

23  
EXHAUST SYSTEM  
ALUMINUM

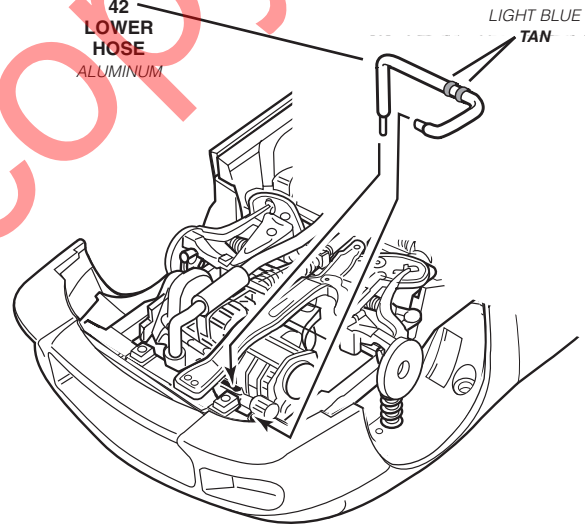
METAL EXHAUST TIP



**E**

42  
LOWER  
HOSE  
ALUMINUM

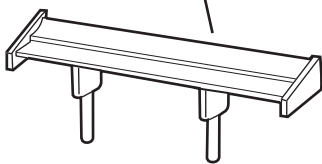
LIGHT BLUE  
TAN



# 9

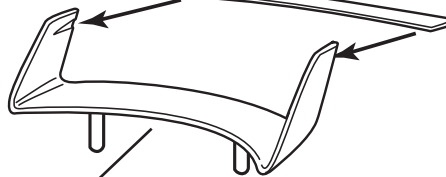
# SPOILER ASSEMBLY

★65  
REAR WING  
CHROME

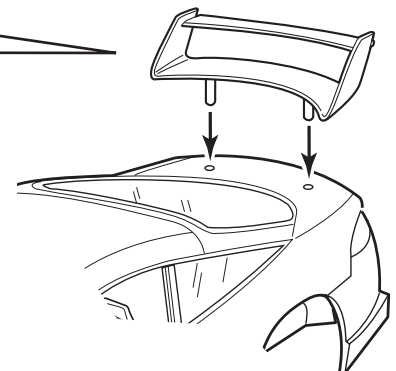


?

52  
REAR  
WING FLAP

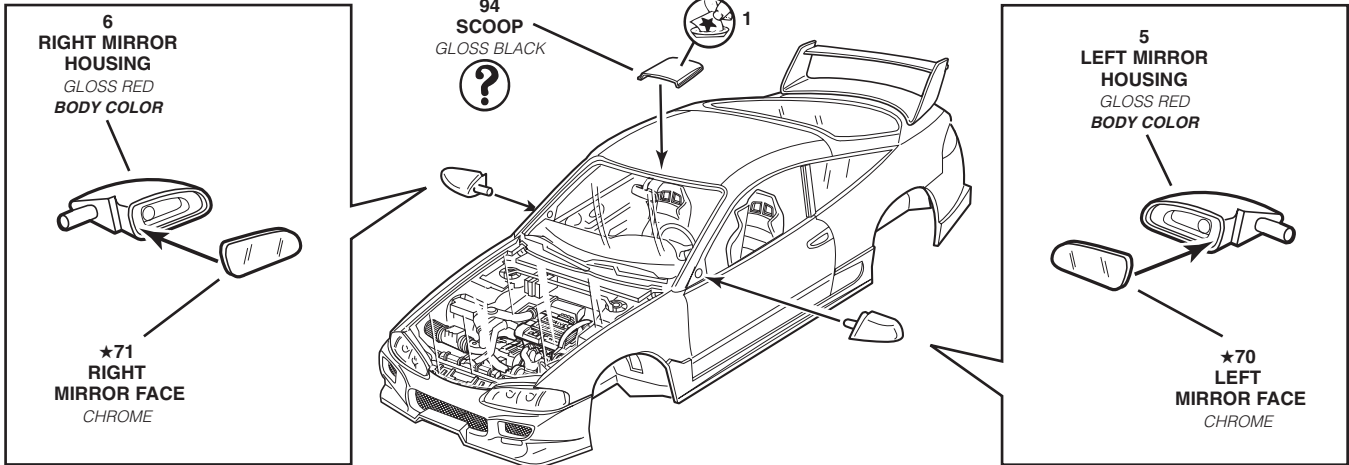


51  
REAR WING



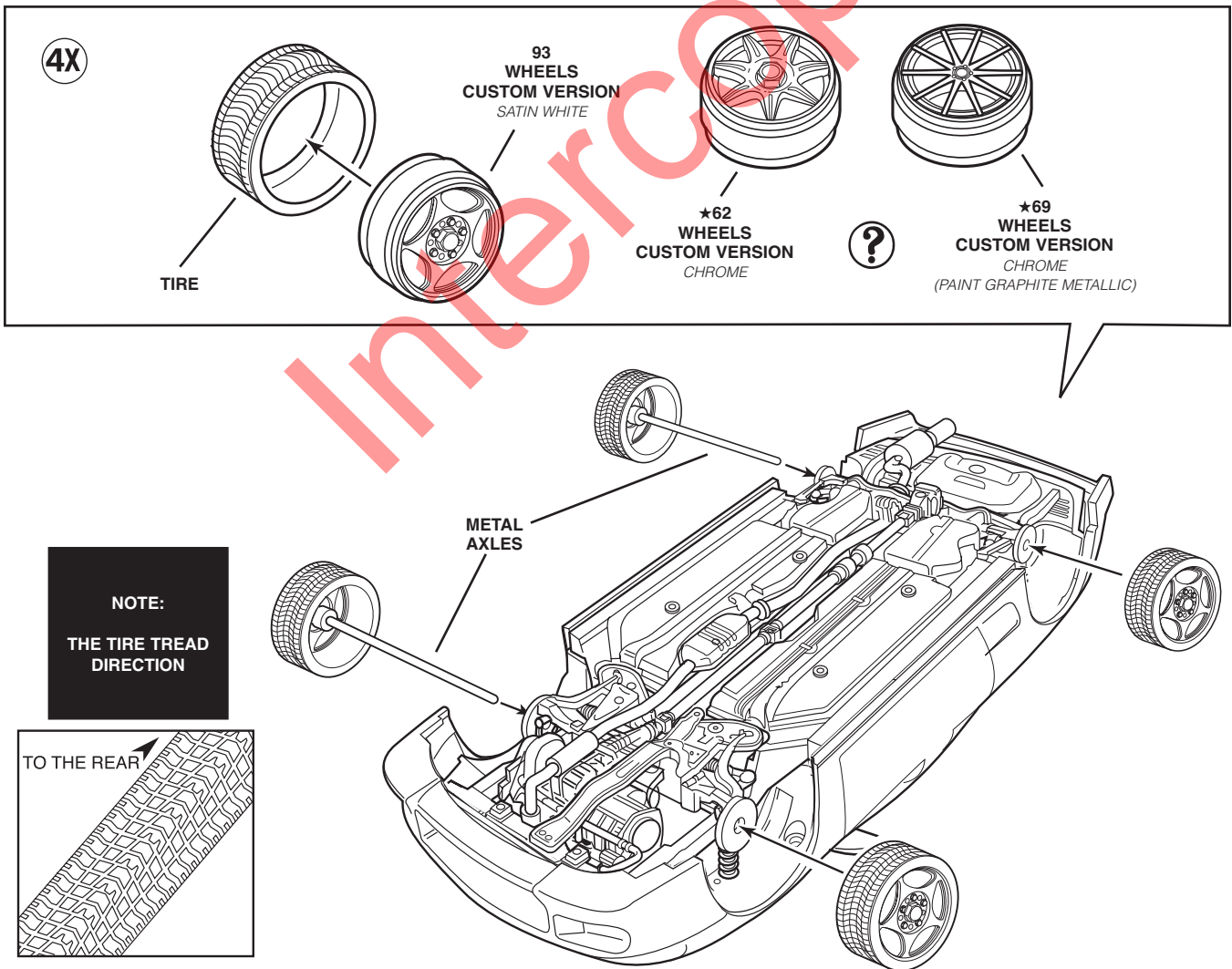
# 10

# MIRROR ASSEMBLY



# 11

# WHEEL ASSEMBLY





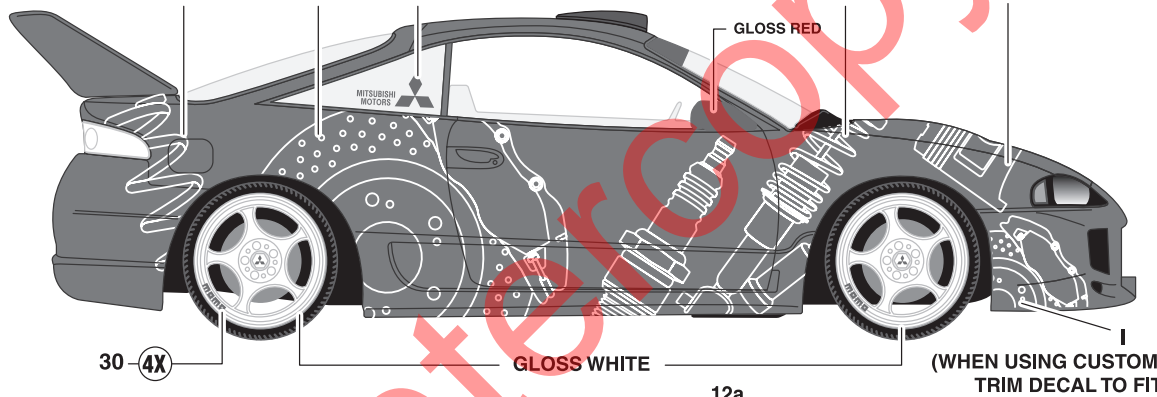
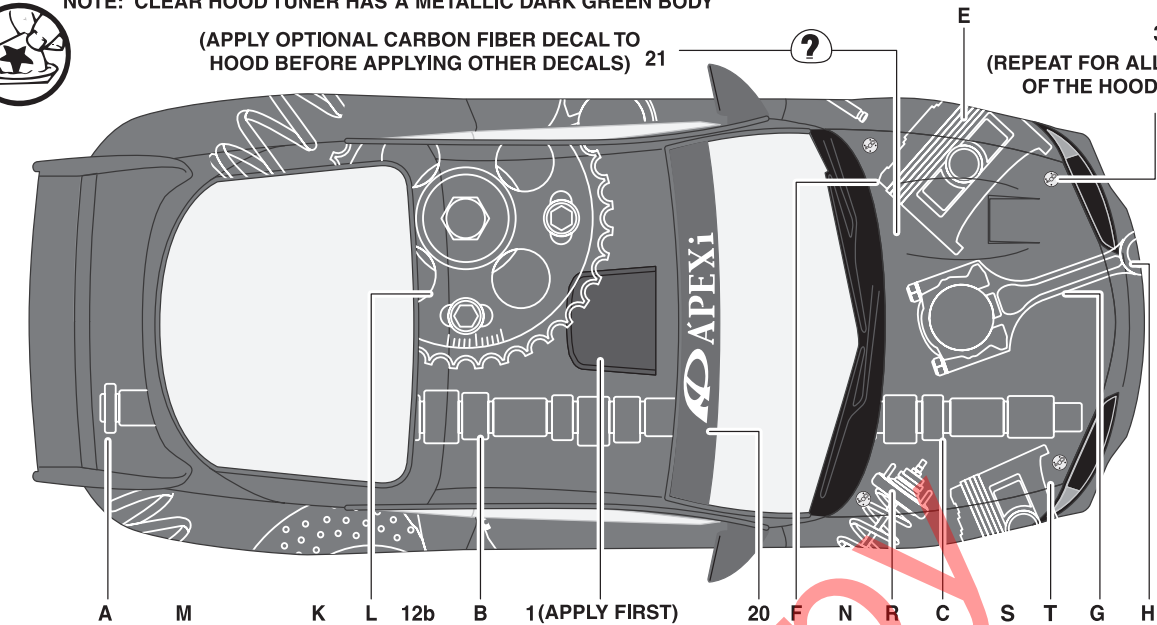
■ GLOSS BLUE

NOTE: CLEAR HOOD TUNER HAS A METALLIC DARK GREEN BODY

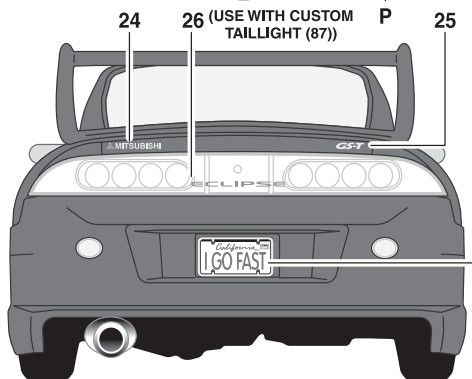
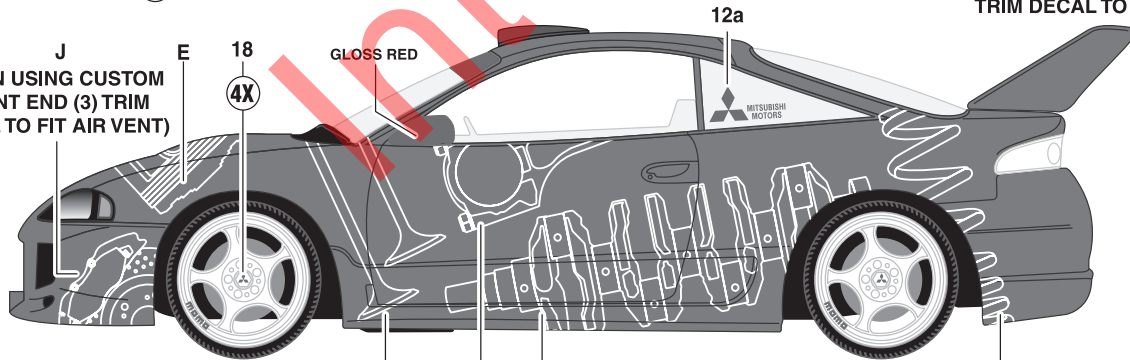


(APPLY OPTIONAL CARBON FIBER DECAL TO HOOD BEFORE APPLYING OTHER DECALS) 21

3  
(REPEAT FOR ALL FOUR CORNERS OF THE HOOD, APPLY LAST)



J  
(WHEN USING CUSTOM FRONT END (3) TRIM DECAL TO FIT AIR VENT)



21  
(IF USING CARBON FIBER HOOD DECAL, APPLY FIRST)

