



KIT 2844



DALE EARNHARDT, JR.
DALE EARNHARDT TRIBUTE CONCERT
MONTE CARLO™

85284400200

Chance Motorsports was formed in 1994 by Dale and Teresa Earnhardt specifically for the purpose of helping Dale's children Kerry, Kelley and Dale Jr. get into racing through the smaller NASCAR® Late Model series.

In 2003, Teresa and Dale Jr formed Chance 2 Motorsports in the same spirit as the original-helping up and coming drivers and crew members get into the sport.

career, including educational & scholarship programs and wildlife preservation.

Although Dale Earnhardt, Jr had clinched the championship twice during his Grand National career, he had never won a GN race at the Talladega track.

Waiting until the very last moment to come in for their last pit stop, Dale Jr and the Chance 2 crew brought the specially painted Monte Carlo™ across the finish line first.

Another exciting and emotional victory for the Earnhardt family. The very next day, the Cup series combatants also took to the Talladega high banks. Yep, Dale Jr won that, too.



* REPEAT SEVERAL TIMES
*A REPETER PLUSIEURS FOIS



* OPTIONAL PARTS
* PIECES EN OPTION



* DECAL
* DECAL COMANIE



* ALTERNATIVE ASSEMBLY
* ENSEMBLAGE ALTERNATIVE



* CEMENT TOGETHER
* A COLLER



* REMOVE AND THROW AWAY
* A RETIRER ET JETER



* DO NOT CEMENT
* NE PAS COLLER

READ THIS BEFORE YOU BEGIN

- * Study the assembly drawings.
* Each plastic part is identified by a number.
* In the assembly drawings, some parts will be marked by a star (★) to indicate chrome plated plastic.

DECAL APPLICATION INSTRUCTIONS

- 1. Cut desired decal from sheet.
2. Dip decal in water for a few seconds.
3. Place wet decal on paper towel.

NOTE: Decals are compatible with setting solutions or solvents.

LIRE CE QUI SUIT AVANT DE COMMENCER

- * Etudier les schémas de montage.
* Chaque pièce en plastique est identifiée par un numéro.
* Sur les schémas de montage, certaines pièces sont marquées d'une étoile (★) pour indiquer qu'elles sont en plastique chromé.

DIRECTIVES D'APPLICATION DES AUTOCOLLANTS

- 1. Découper l'autocollant désiré de la feuille.
2. Tremper l'autocollant dans de l'eau pendant quelques secondes.
3. Placer l'autocollant mouillé sur une serviette en papier.

This paint guide is provided to complete this kit as shown on the box.

Ce guide de peinture est fourni pour reproduire le modèle réduit qui apparaît sur la boîte.

Table with 2 columns: Paint Name and Color Name. Rows include Aluminum, Flat Black, Flat White, Flat Yellow, Gloss Black, Gloss Red, Gloss White, Light Gray, Satin White, Semigloss Black, Silver, and Steel.

If you have any questions or comments, call our hotline at: (800) 833-3570 or, please write to:

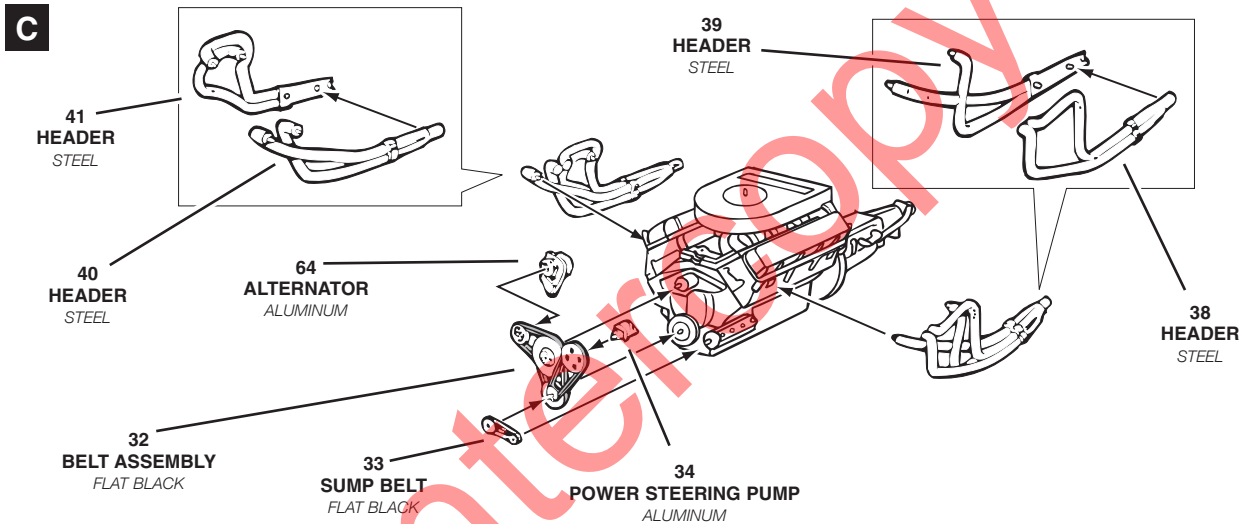
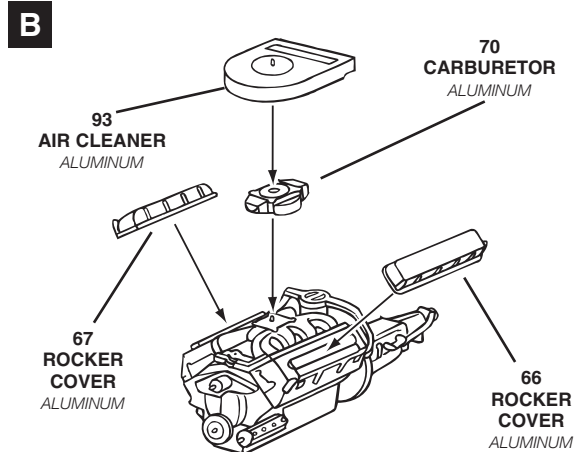
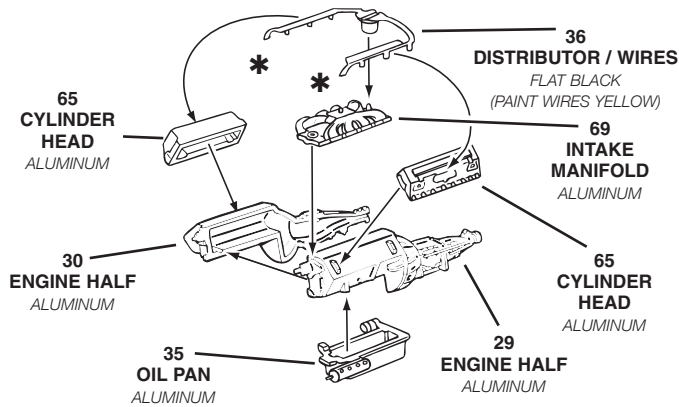
Revell-Monogram Consumer Service Department, 8601 Waukegan Road, Morton Grove, Illinois 60053
Be sure to include the plan number (85284400200), part number, description, your return address and phone number.

Visit our website: www.revell-monogram.com

1

ENGINE ASSEMBLY

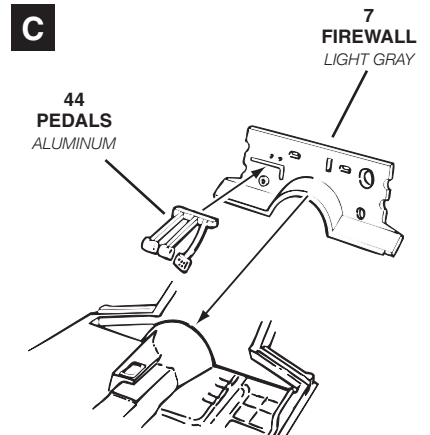
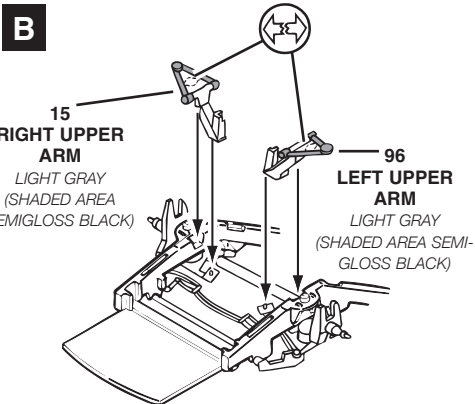
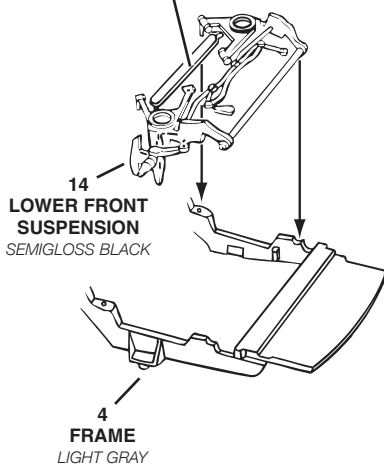
A * NOTE: BEND PLUG WIRES SO THAT LONG TABS ON WIRES FIT INTO DEPRESSIONS ON CYLINDER HEADS



2

CHASSIS AND INTERIOR ASSEMBLY

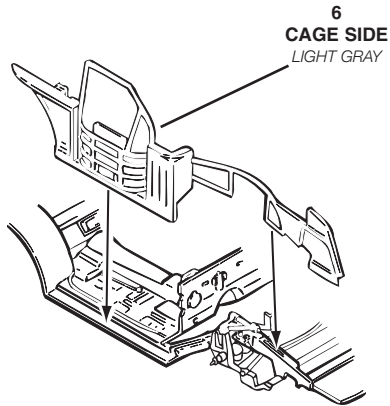
A NOTE: LEAVE SUPPORT STRAP IN PLACE UNTIL STEP 4A



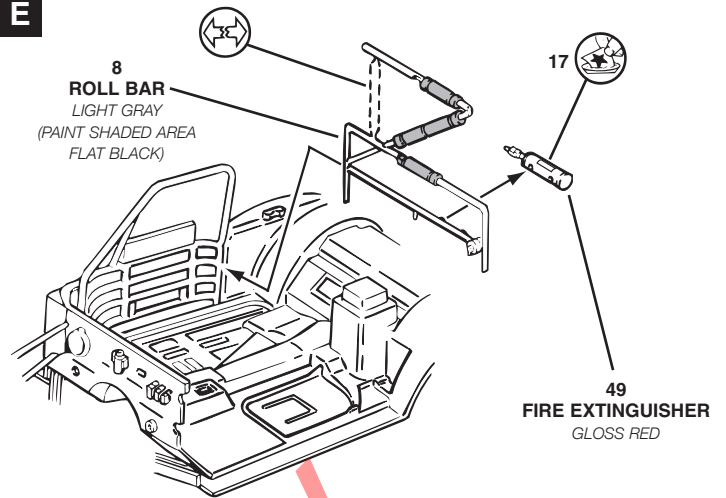
2

CHASSIS AND INTERIOR ASSEMBLY CONTINUED

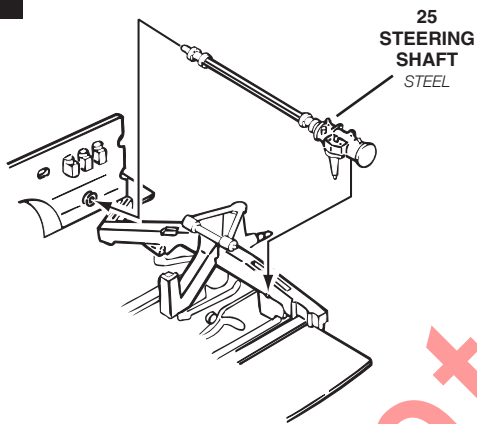
D



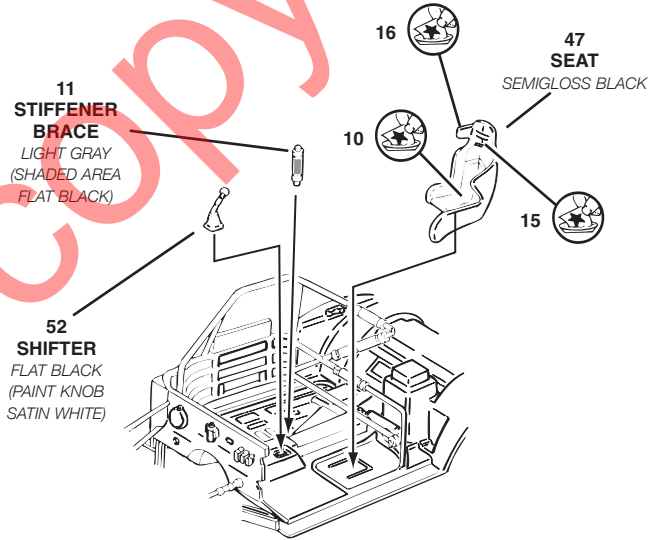
E



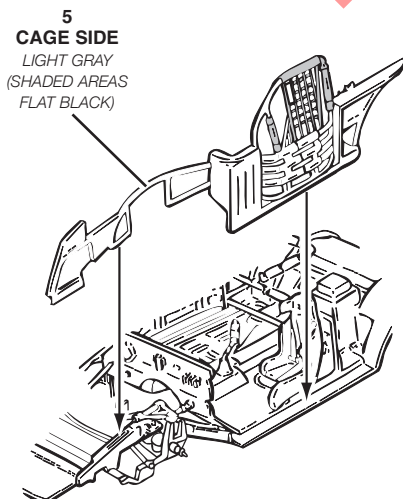
F



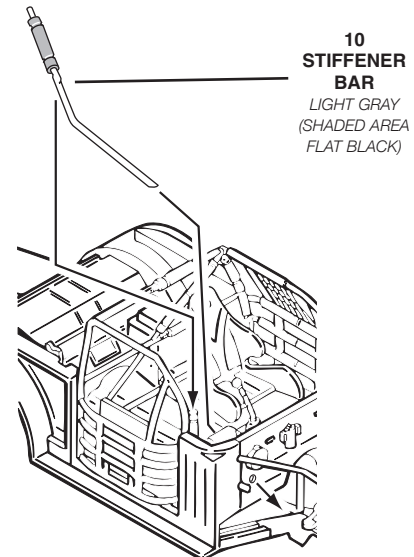
G



H



I

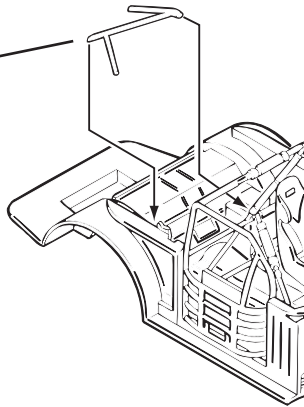


2

CHASSIS AND INTERIOR ASSEMBLY CONTINUED

J

57
PETTY BAR
LIGHT GRAY



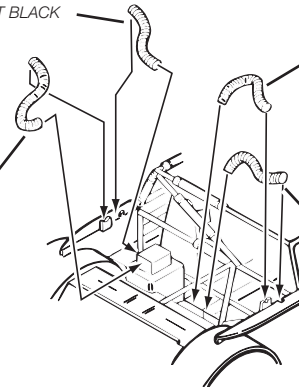
K

50
HOSE
FLAT BLACK

48
HOSE
FLAT BLACK

51
HOSE
FLAT BLACK

61
HOSE
FLAT BLACK

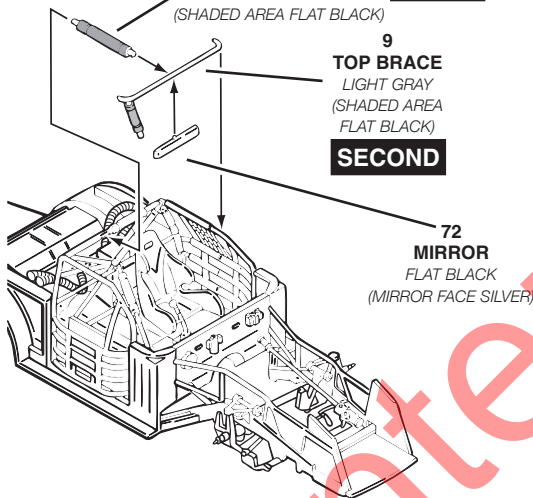


L

73
TOP STIFFENER BAR
LIGHT GRAY
(SHADED AREA FLAT BLACK) **FIRST**

9
TOP BRACE
LIGHT GRAY
(SHADED AREA FLAT BLACK) **SECOND**

72
MIRROR
FLAT BLACK
(MIRROR FACE SILVER)



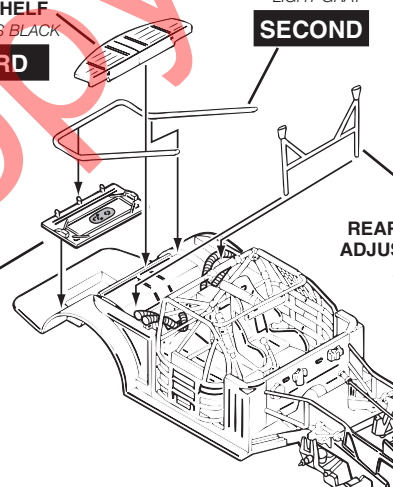
M

56
REAR SHELF
SEMIGLOSS BLACK **THIRD**

12
KICKER BAR ASSEMBLY
LIGHT GRAY **SECOND**

13
FUEL CELL
LIGHT GRAY
(PAINT SHADED AREA ALUMINUM) **FIRST**

92
REAR SUSPENSION ADJUSTMENT TUBES
LIGHT GRAY



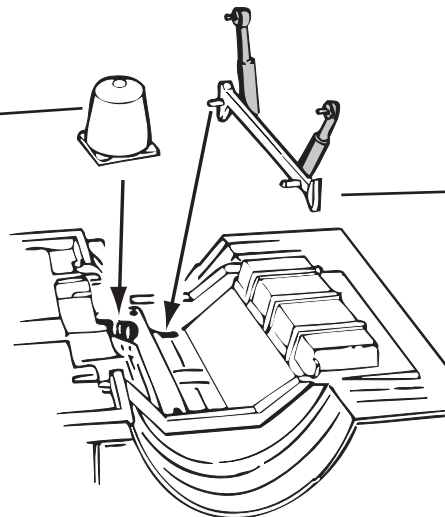
3

SUSPENSION AND CHASSIS ASSEMBLY

A

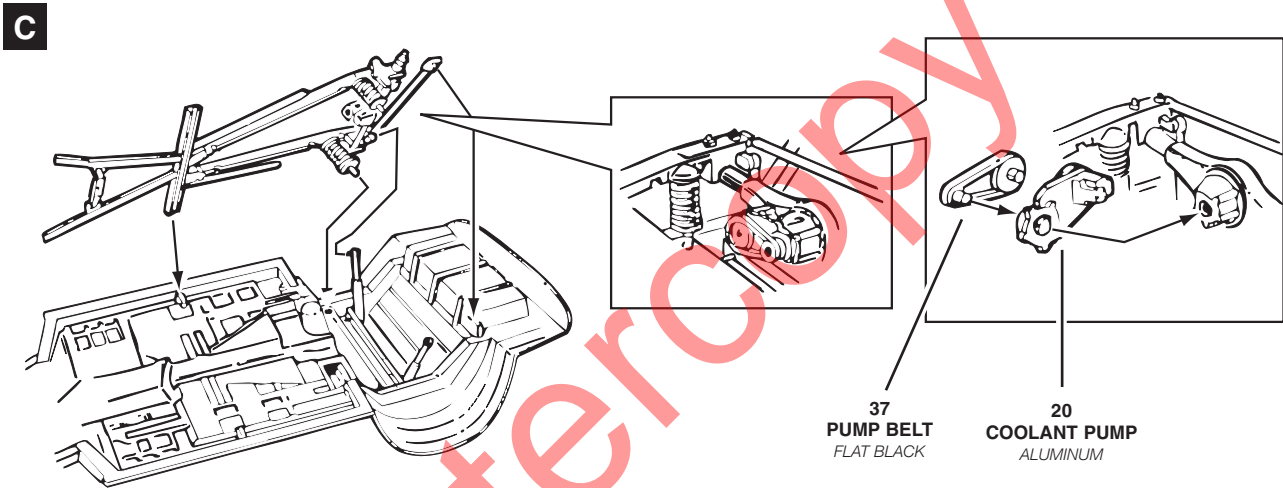
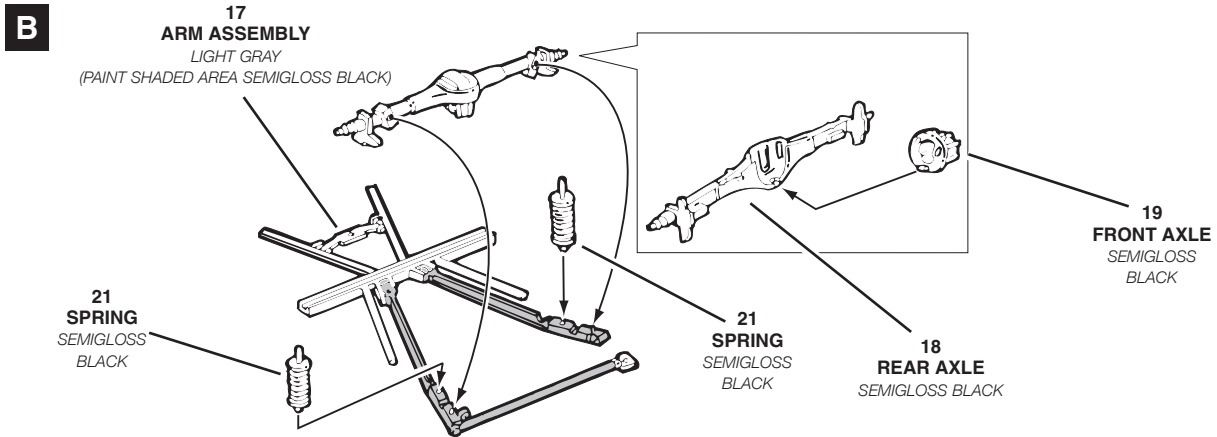
59
OILER TANK
ALUMINUM

22
SHOCK ASSEMBLY
LIGHT GRAY
(SHADED AREA ALUMINUM)



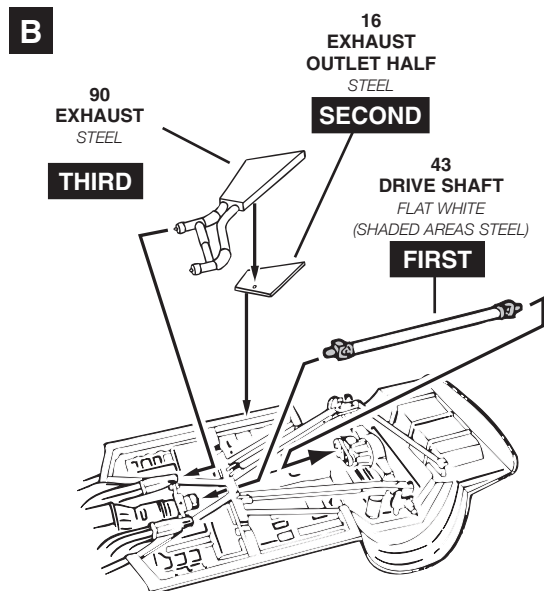
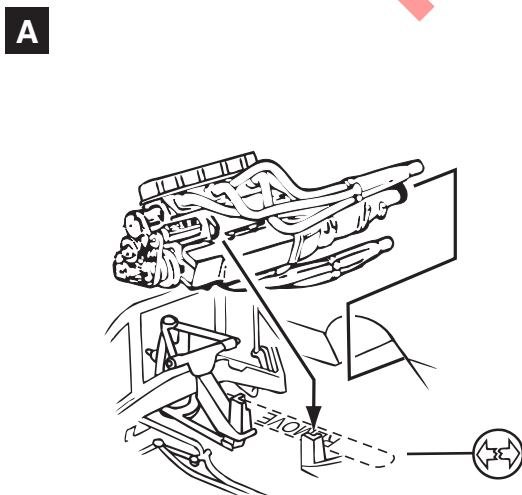
3

SUSPENSION AND CHASSIS ASSEMBLY CONTINUED



4

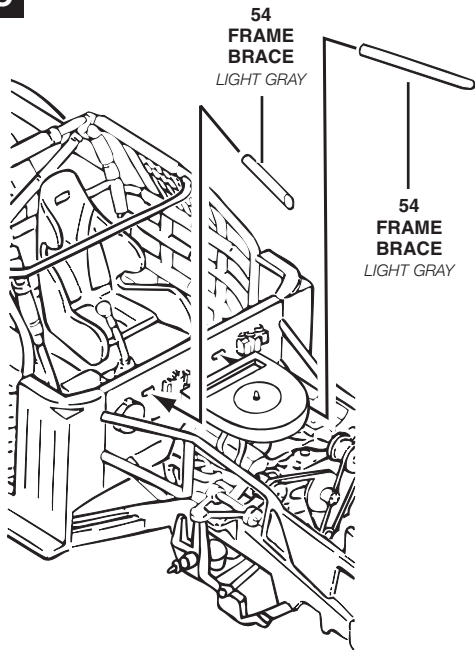
CHASSIS DETAIL ASSEMBLY



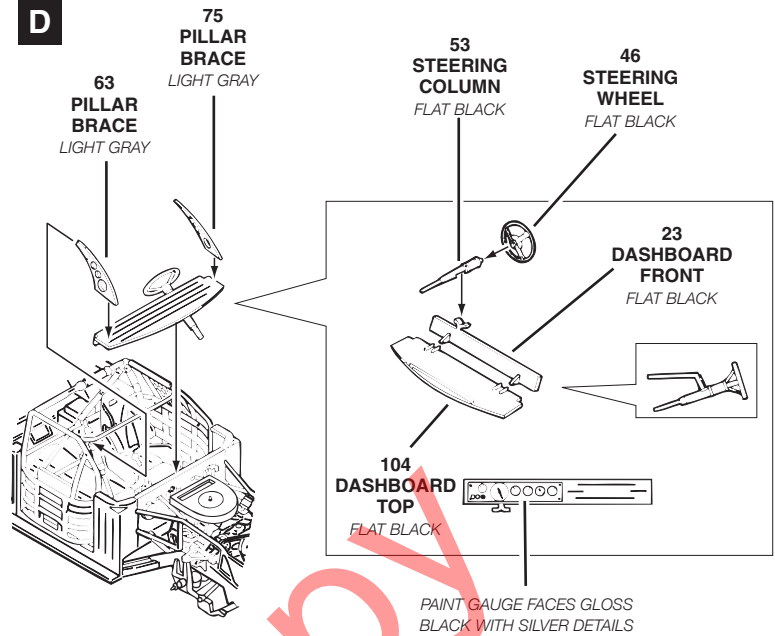
4

CHASSIS DETAIL ASSEMBLY CONTINUED

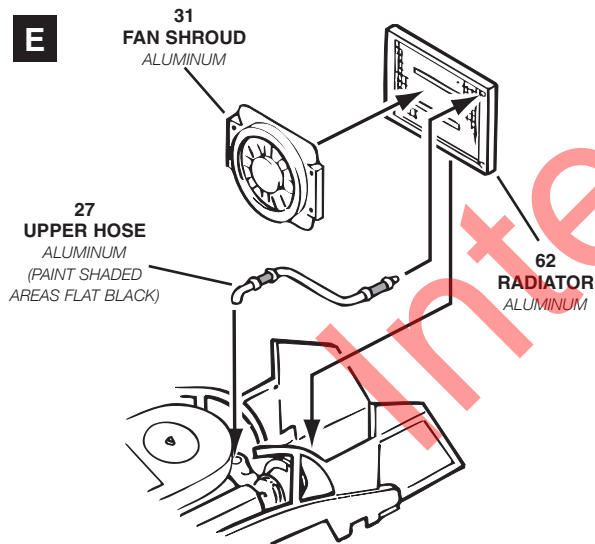
C



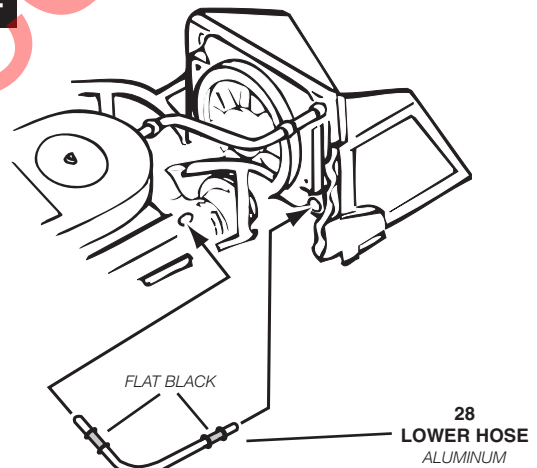
D



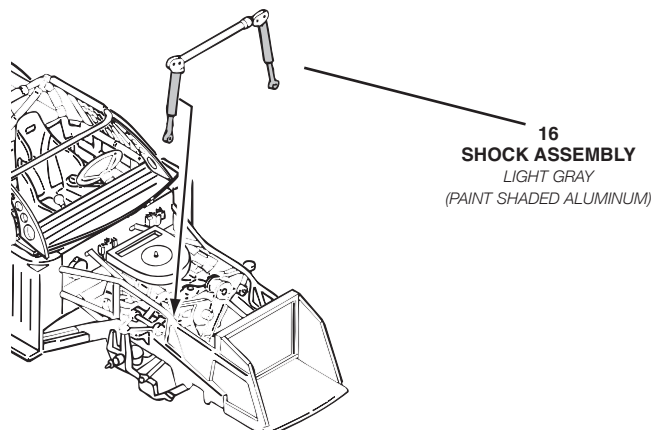
E



F



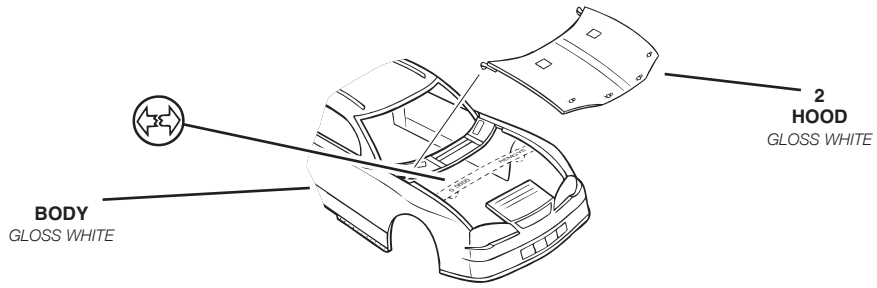
G



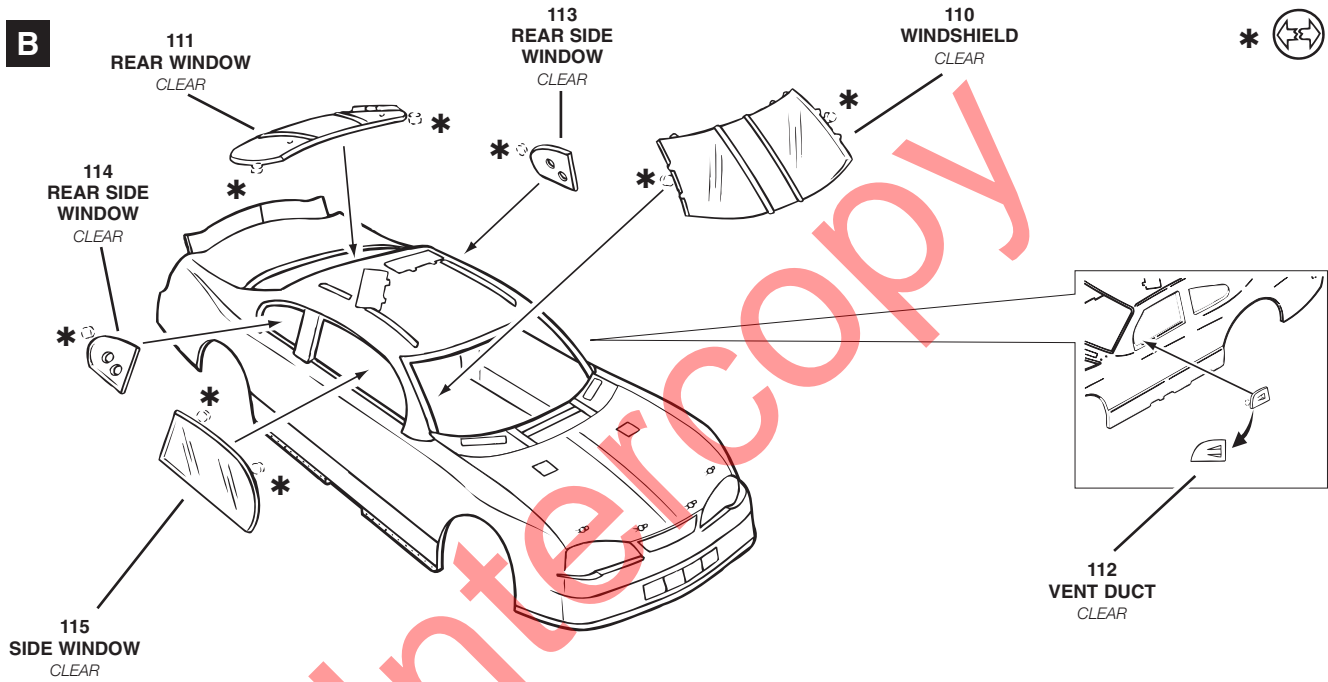
5

FINAL ASSEMBLY

A

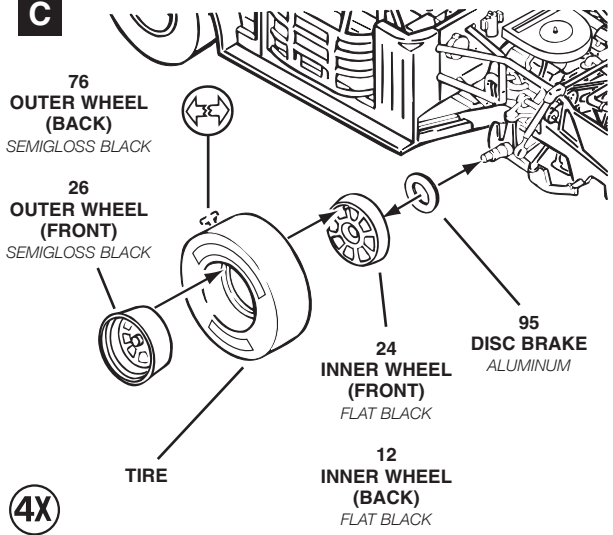


B

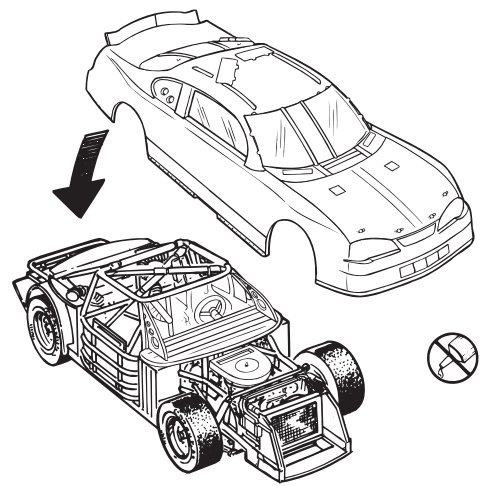


NOTE: PAINT ALL WINDOW TRIM SEMIGLOSS BLACK

C



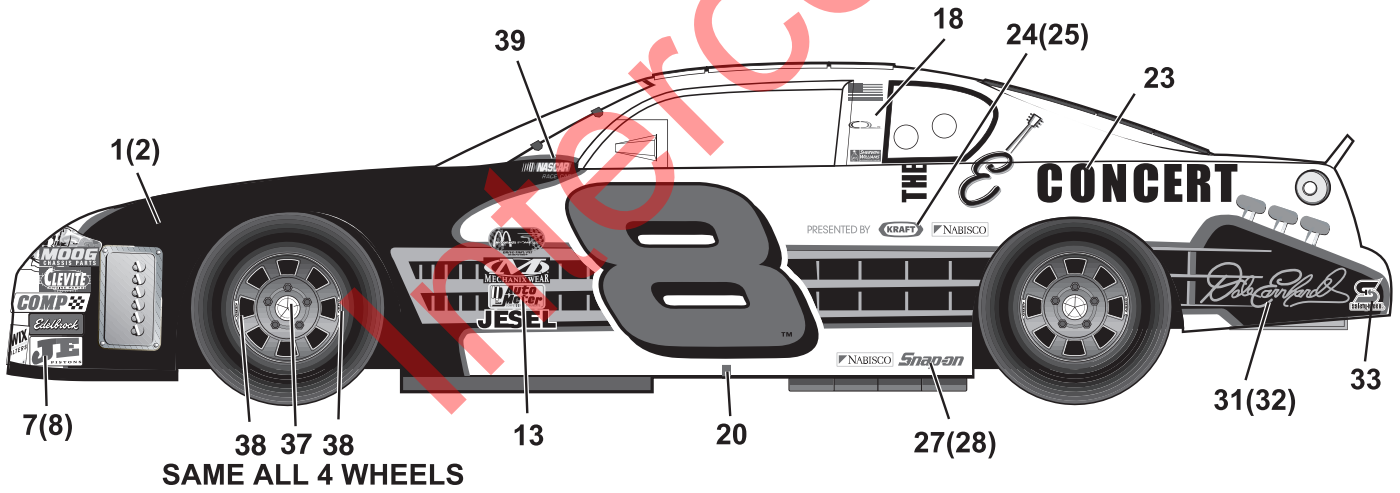
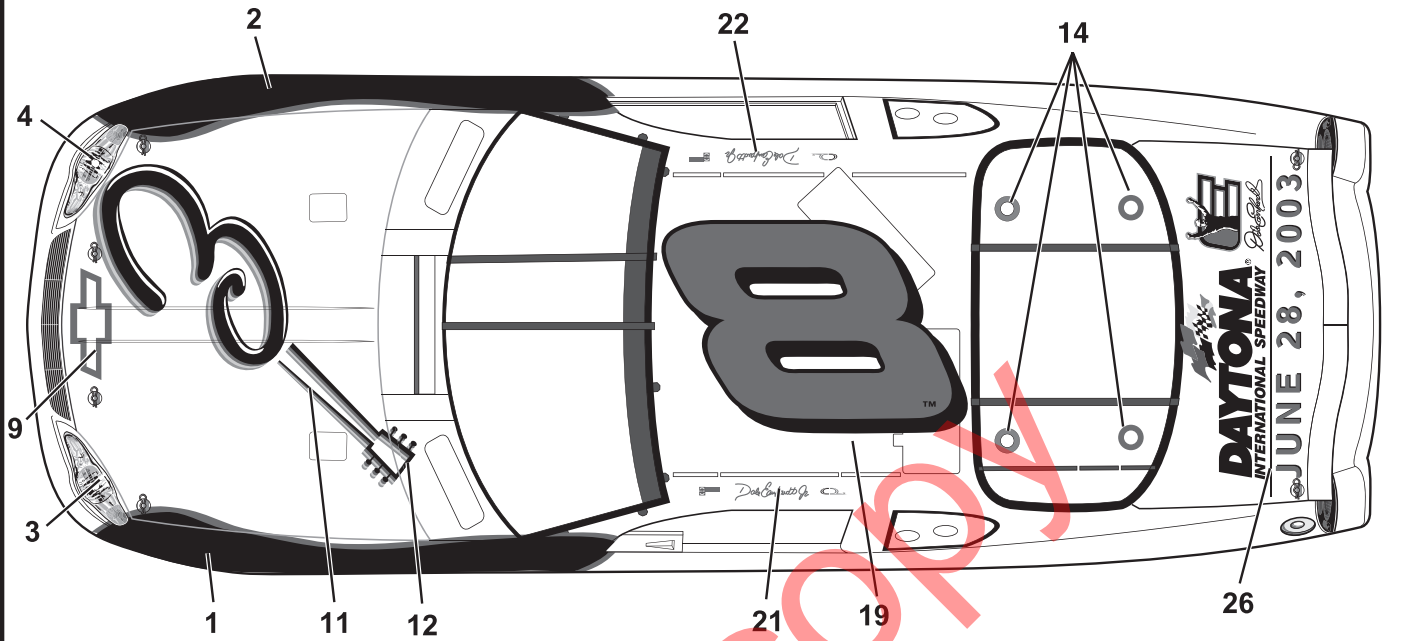
D



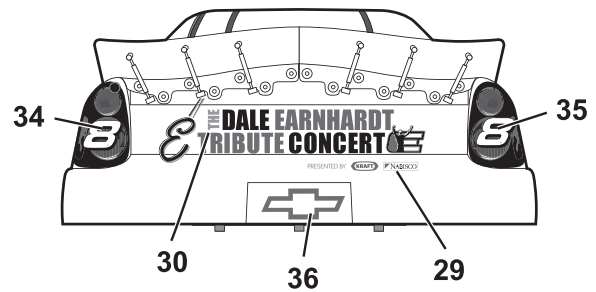
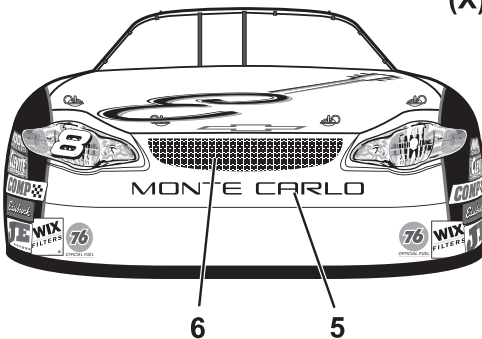
DECAL PLACEMENT



NOTE: DECALS 1,2,31, AND 32, MUST BE APPLIED FIRST



(X)=OPPOSITE SIDE



10 15 16 17 FOR INTERIOR USE