



KIT 2861

85286100200

ACURA® RSX® TYPE S™

Starting out with a good idea, executing it better than your competitors and then improving upon that idea consistently over many years is a very difficult task to achieve and maintain. Nevertheless, probably no automobile company has done just that longer than the Honda® Motor Company and its Acura® division. For over three decades, they've been developing and producing cars that have been not only compact and economical, but also fun to drive and live with on a daily basis. The Acura RSX®, the successor to the popular Integra®, carries on that tradition. Sticking with the proven 4 cylinder, front wheel drive, hatchback configuration, the RSX is like a trusted friend. Always ready when you are and never complaining. The Type-S™ version adds more of a sporting flavor and is definitely the way to go if you love to drive. Under the hood you'll find a jewel of a little 4 banger, with double overhead cams and port fuel injection, it produces 200 horsepower in Type-S trim and is connected to a silky smooth 6 speed manual transmission. Zero to 60 MPH comes up in just over 6 seconds. Yet with city fuel economy in the mid-20's and over 30 MPG on the highway, you needn't feel guilty letting the RPMs spin up.

Front strut type suspension and rear multilink with coil springs all around provide predictable handling when you push it in the corners and a smooth ride when you don't. In keeping with Acura tradition, a long and extensive list of standard equipment is provided in the Type-S including automatic climate control, leather seats, an top-notch sound system with CD changer and a power moonroof. Add in the usual Acura bulletproof reliability and you have a very seductive package.

Unlike the full-size Acura RSX Type-S, where about the only choice you have to make is to select the color, you'll have a few more decisions to make with this new Revell® plastic kit version of the RSX. Besides all the necessary parts to build a showroom stock version, we've also added two additional sets of wheels, two rear wings, two custom front and rear bumper treatments, an aftermarket type hood and a pair of racing style seats for the front with audio speaker detail replacing the rear seats if you like to share your music with the folks on the next block. We would have added even more but you know, the box just wasn't big enough...



* REPEAT SEVERAL TIMES
* A REPETER PLUSIEURS FOIS



* OPTIONAL PARTS
* PIECES EN OPTION



* DECAL
* DECAL COMANIE



* ALTERNATIVE ASSEMBLY
* ENSEMBLAGE ALTERNATIVE



* CEMENT TOGETHER
* A COLLER



* REMOVE AND THROW AWAY
* A RETIRER ET JETER



* DO NOT CEMENT
* NE PAS COLLER

READ THIS BEFORE YOU BEGIN

- * Study the assembly drawings.
- * Each plastic part is identified by a number.
- * In the assembly drawings, some parts will be marked by a star (★) to indicate chrome plated plastic.
- * For better paint and decal adhesion, wash the plastic parts in a mild detergent solution. Rinse and let air dry.
- * Check the fit of each piece before cementing in place.
- * Use only cement for polystyrene plastic.
- * Scrape plating and paint from areas to be cemented.
- * Allow paint to dry thoroughly before handling parts.
- * Any unused parts may be discarded.

DECAL APPLICATION INSTRUCTIONS

1. Cut desired decal from sheet.
2. Dip decal in water for a few seconds.
3. Place wet decal on paper towel.
4. Wait until decal is movable on paper backing.
5. Place decal in position on model, face up and slide backing away.
6. Press out air bubbles with a soft damp cloth.
7. Milkiness that may appear is for better decal adhesion and will dry clear. Wipe away any excess adhesive.
8. Do not touch decal until fully dry.
9. Allow the decals 48 hours to dry before applying clear coat.

NOTE: Decals are compatible with setting solutions or solvents.

LIRE CE QUI SUIT AVANT DE COMMENCER

- * Etudier les schémas de montage.
- * Chaque pièce en plastique est identifiée par un numéro.
- * Sur les schémas de montage, certaines pièces sont marquées d'une étoile (★) pour indiquer qu'elles sont en plastique chromé.
- * Pour une meilleure prise de la peinture et des autocollants, laver les pièces en plastique avec une solution détergente peu concentrée. Les rincer et les laisser sécher à l'air.
- * Vérifier que chaque pièce s'ajuste bien avant de la coller en place.
- * N'utiliser que de la colle pour polystyrène.
- * Gratter les parties à coller pour enlever le chrome et la peinture.
- * Laisser la peinture bien sécher avant de manipuler les pièces.
- * Toute pièce inutilisée peut être jetée.

DIRECTIVES D'APPLICATION DES AUTOCOLLANTS

1. Découper l'autocollant désiré de la feuille.
2. Tremper l'autocollant dans de l'eau pendant quelques secondes.
3. Placer l'autocollant mouillé sur une serviette en papier.
4. Attendez que l'autocollant puisse être déplacé sur son support en papier.
5. Mettre l'autocollant en position sur le modèle face sur le dessus et faire glisser le support pour l'enlever.
6. Appuyer avec un chiffon doux humide pour éliminer les bulles d'air.
7. La substance laiteuse qui peut apparaître est destinée à améliorer l'adhésion de l'autocollant et devient incolore au séchage. Essuyer pour enlever tout excédent d'adhésif.
8. Ne pas toucher l'autocollant tant qu'il n'est pas bien sec.
9. Laisser l'autocollant sécher pendant 48 heures avant d'appliquer une couche transparente.

REMARQUE: Les autocollants sont compatibles avec les solutions de fixation ou les solvants.

This paint guide is provided to complete this kit as shown on the box.

Ce guide de peinture est fourni pour reproduire le modèle réduit qui apparaît sur la boîte.

Aluminum	Aluminium
Flat Black	Noir mat
Gloss Red	Rouge Brillant
Gloss Teal	Bleu-vert Brillant
Purple	Pourpre
Semigloss Black	Noir Satin'e
Steel	Acier
Transparent Red	Rouge Transparent
Turn Signal Amber	Ambre

If you have any questions or comments, call our hotline at: **(800) 833-3570**
or, please write to:

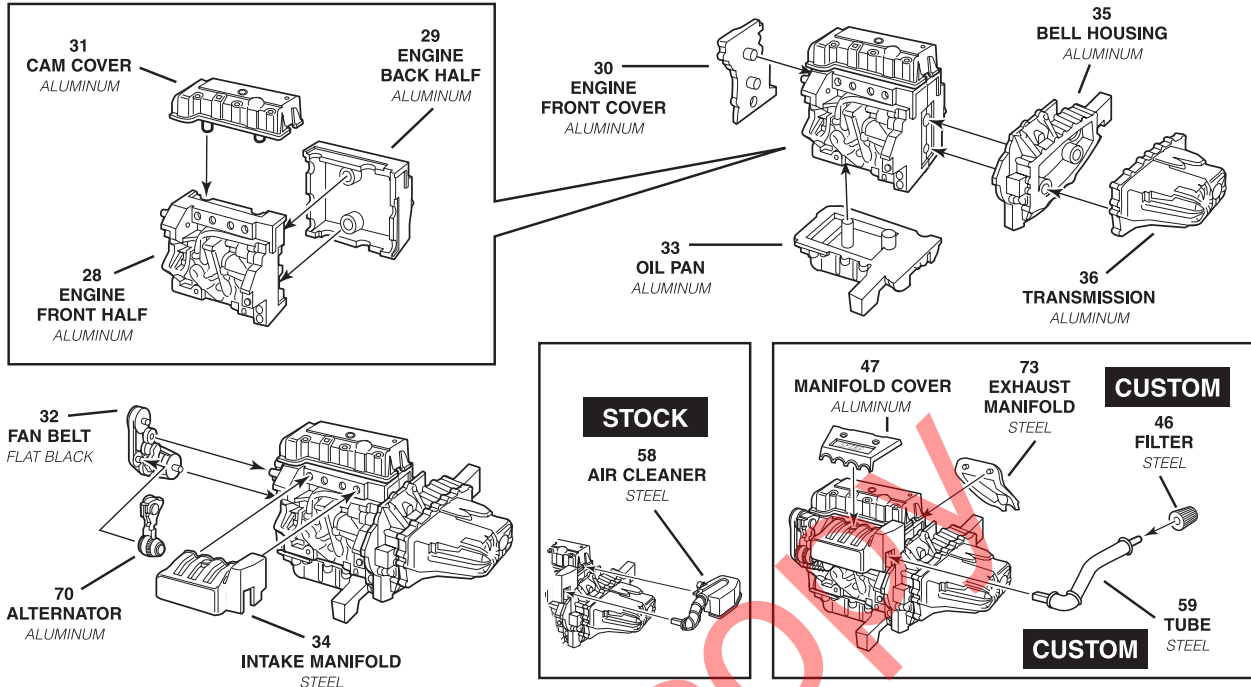
Revell-Monogram Consumer Service Department, 725 Landwehr Road, Northbrook, Illinois 60062

Be sure to include the plan number (85286100200), part number, description, your return address and phone number.

Visit our website: www.revellmonogram.com

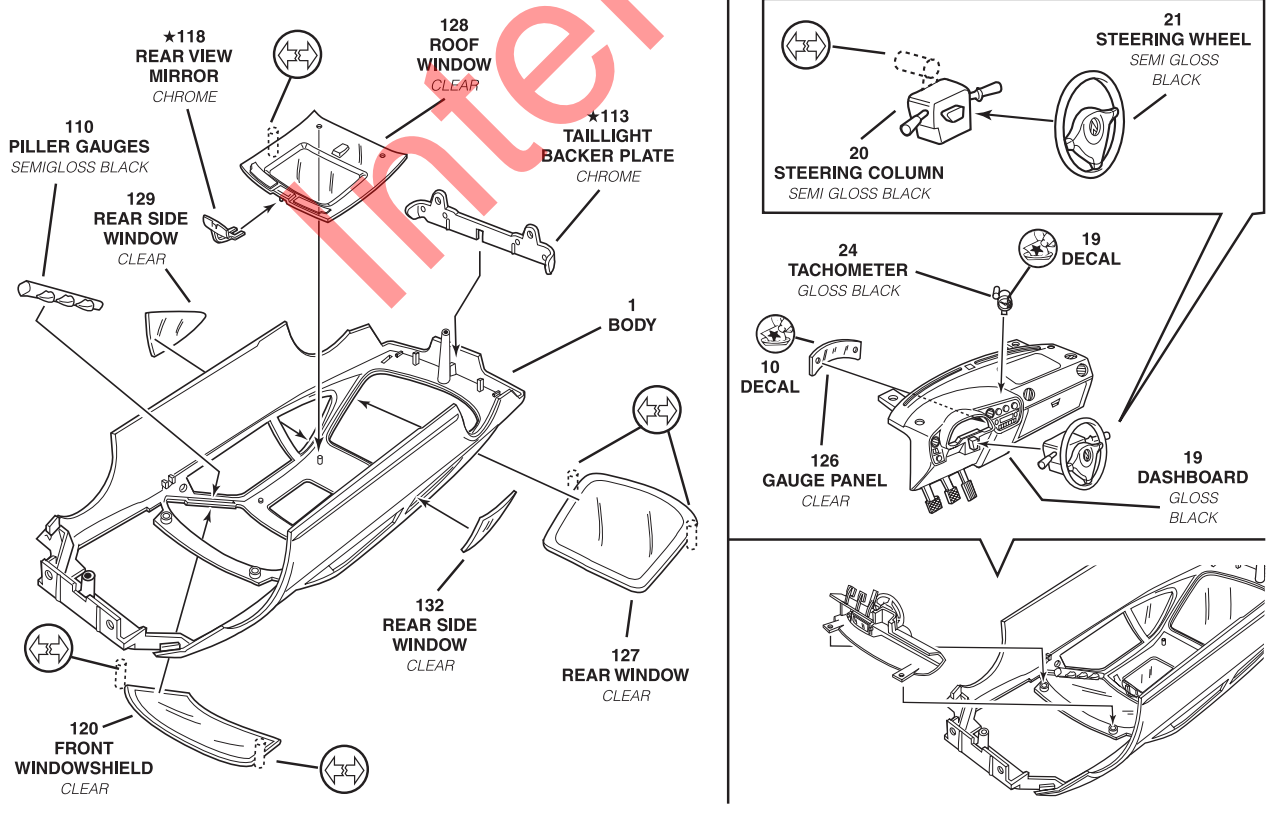
1

ENGINE ASSEMBLY



2

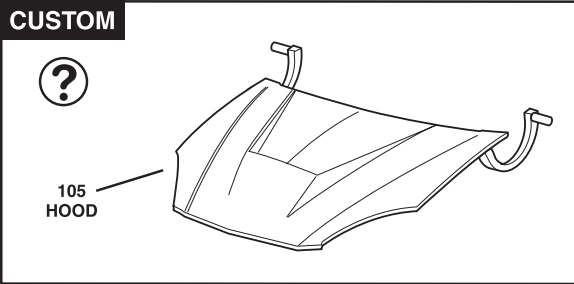
WINDOWS / DASH ASSEMBLY



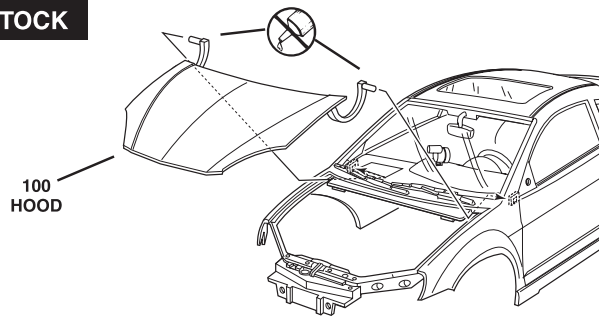
3

HOOD ASSEMBLY

CUSTOM

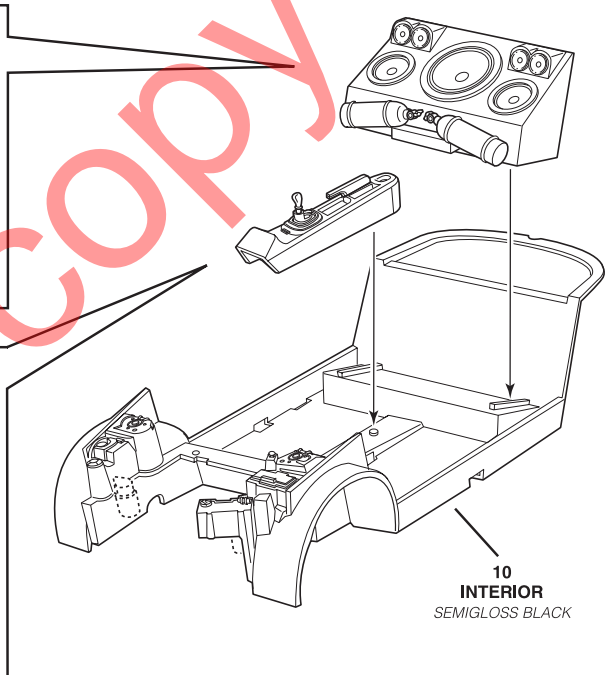
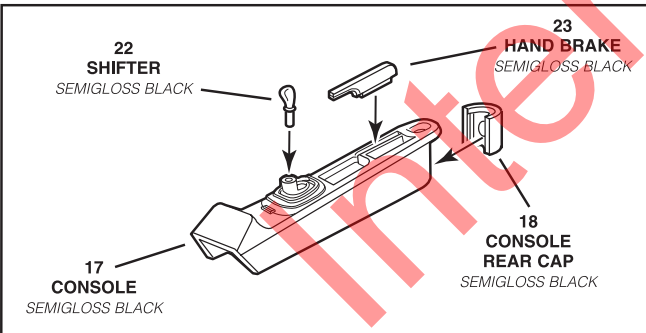
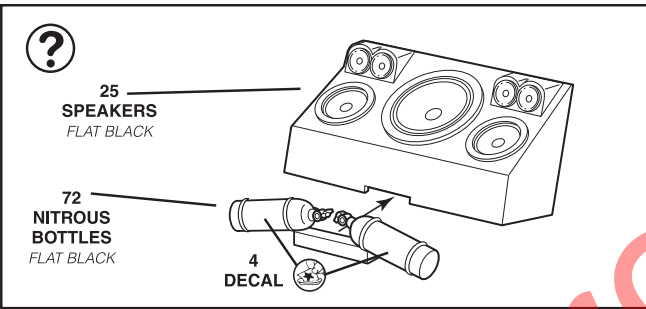


STOCK

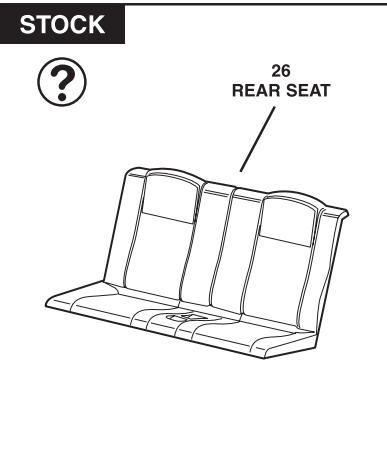


4

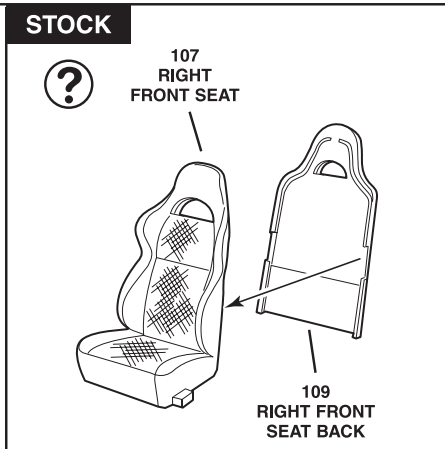
INTERIOR ASSEMBLY



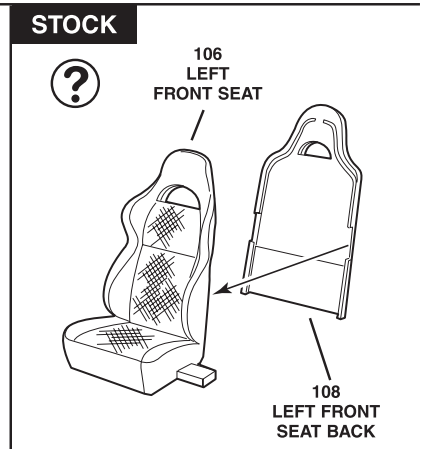
STOCK



STOCK

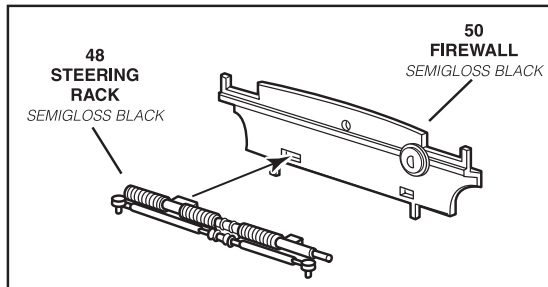


STOCK

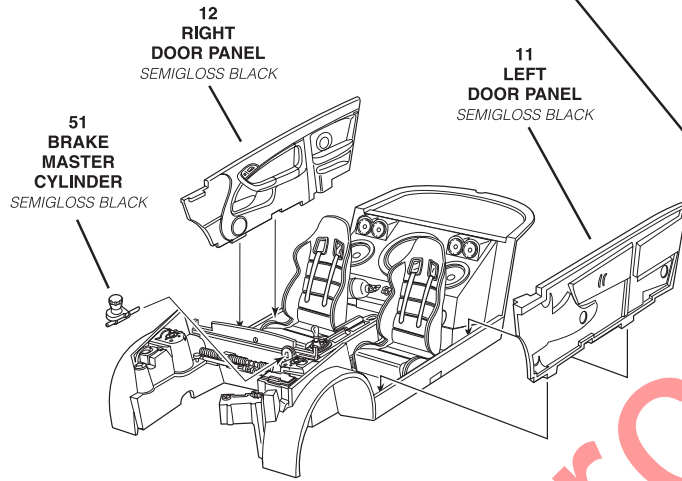
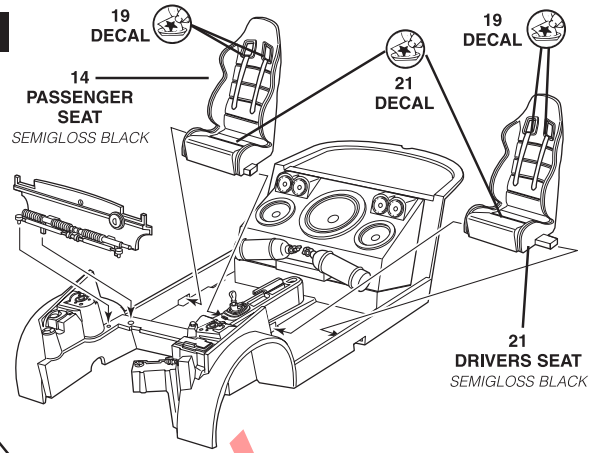


4

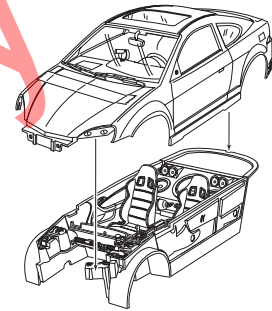
INTERIOR ASSEMBLY CONTINUED



STOCK

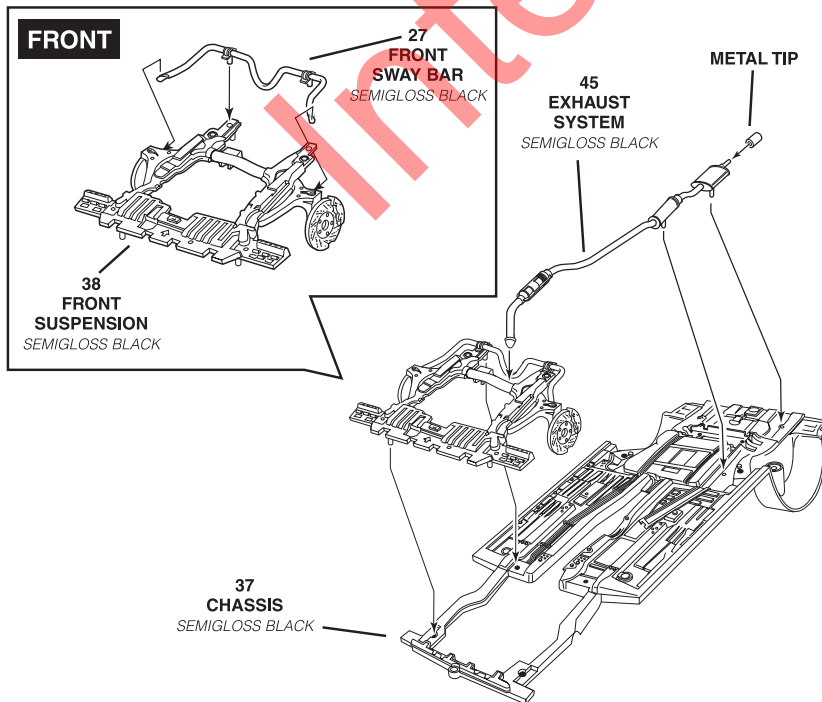


BODY TO INTERIOR

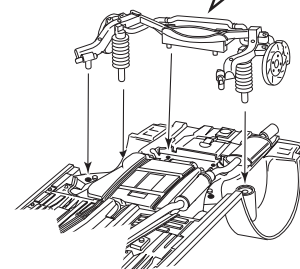
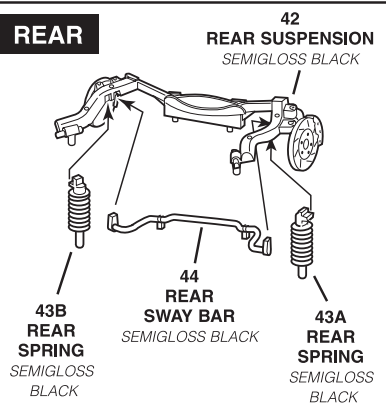


5

SUSPENSION ASSEMBLY



REAR

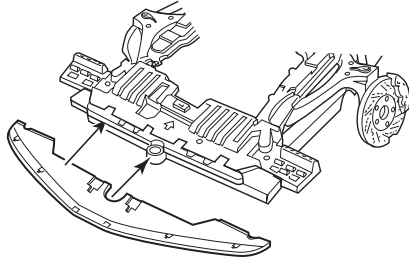


6

FRONT CHASSIS ASSEMBLY

STOCK

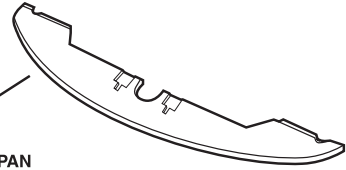
131
STOCK
FRONT BODY PAN
SEMIGLOSS BLACK



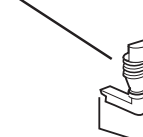
CUSTOM



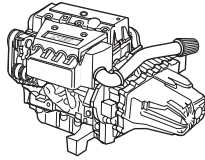
130
CUSTOM
FRONT BODY PAN
SEMIGLOSS BLACK



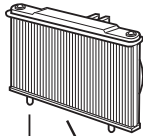
41
FRONT SPRING
SEMIGLOSS BLACK



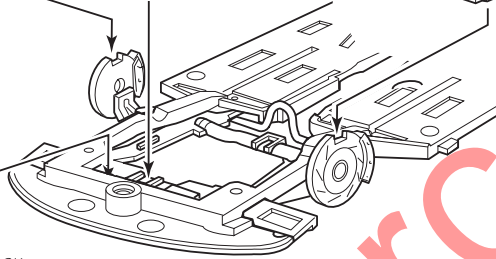
**COMPLETED
ENGINE**



40
FRONT SPRING
SEMIGLOSS BLACK

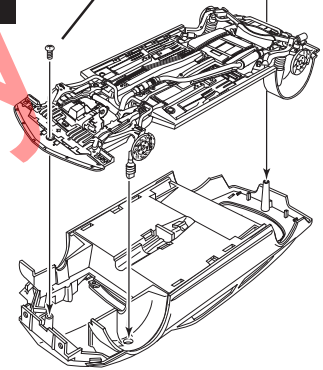


52
RADIATOR
SEMIGLOSS BLACK



**CHASSIS
TO
BODY /
INTERIOR**

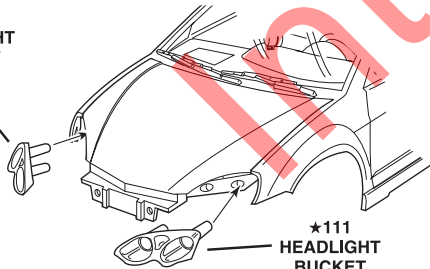
SCREWS



7

FRONT ASSEMBLY

★112
HEADLIGHT
BUCKET
CHROME

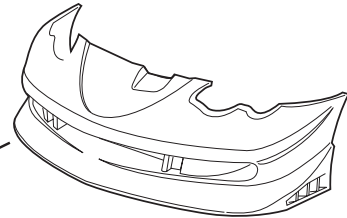


★111
HEADLIGHT
BUCKET
CHROME

CUSTOM #1

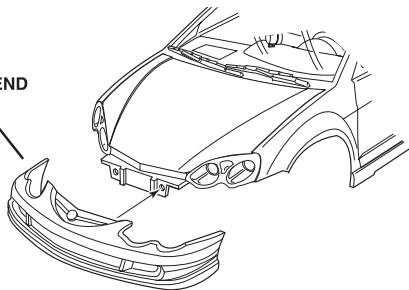


4
FRONT END



STOCK

98
FRONT END



CUSTOM #2



5
FRONT END

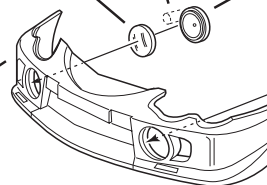
125
DRIVING LIGHT
LENS
CLEAR



★117
DRIVING LIGHT
BUCKET
CHROME

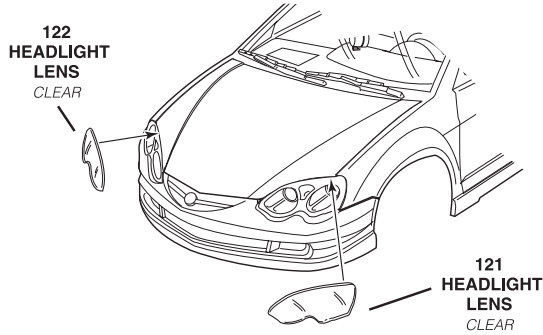


125
DRIVING LIGHT
LENS
CLEAR

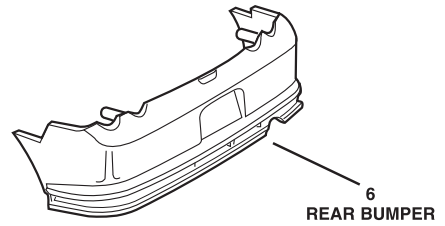


8

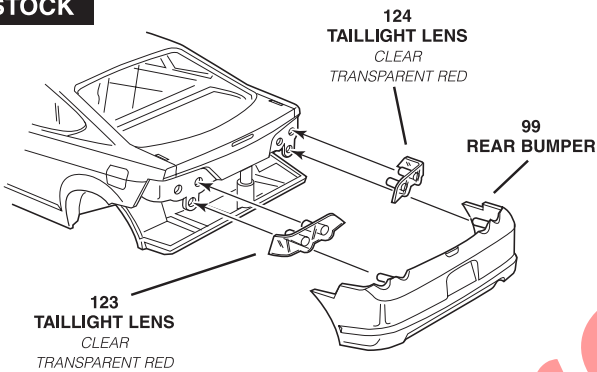
REAR ASSEMBLY



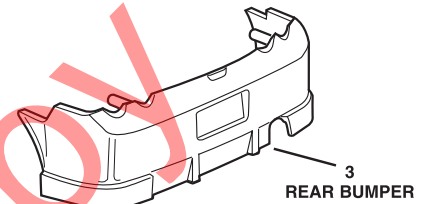
CUSTOM #1



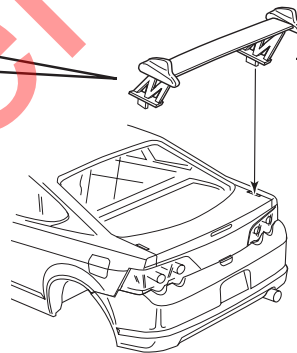
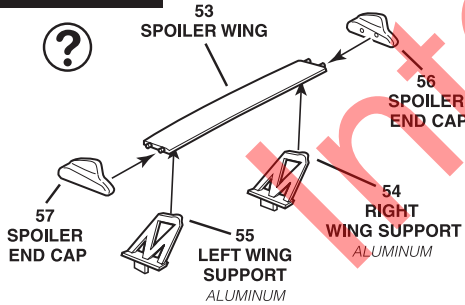
STOCK



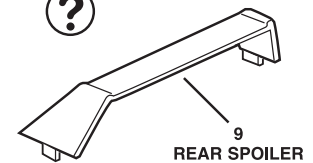
CUSTOM #2



CUSTOM



STOCK



9

WHEELS

2X

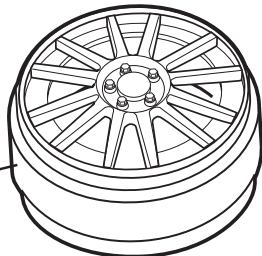
CUSTOM #1

67 REAR OUTER WHEEL

2X

66 FRONT OUTER WHEEL

ALUMINUM



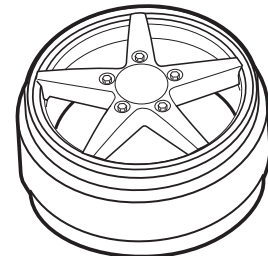
STOCK



*134 REAR OUTER WHEEL CHROME

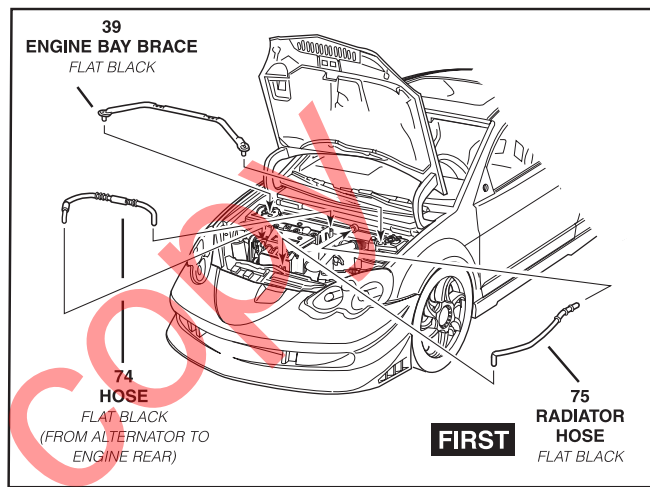
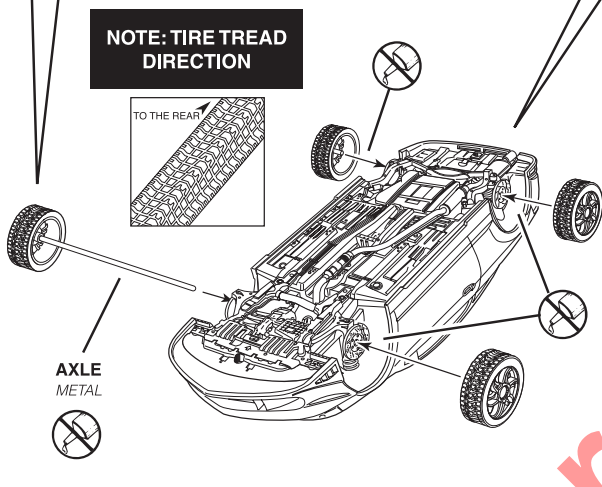
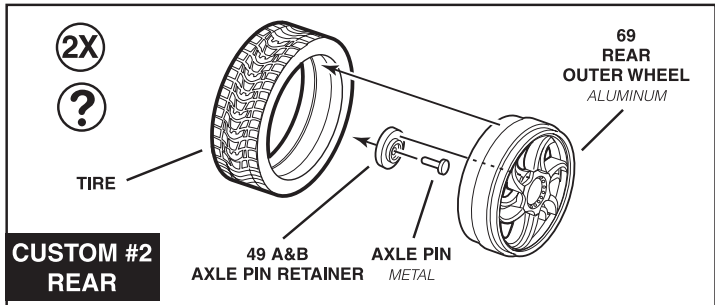
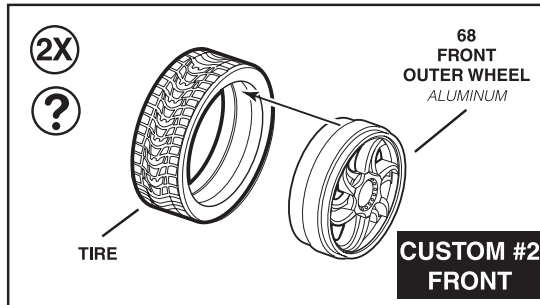


*133 FRONT OUTER WHEEL CHROME



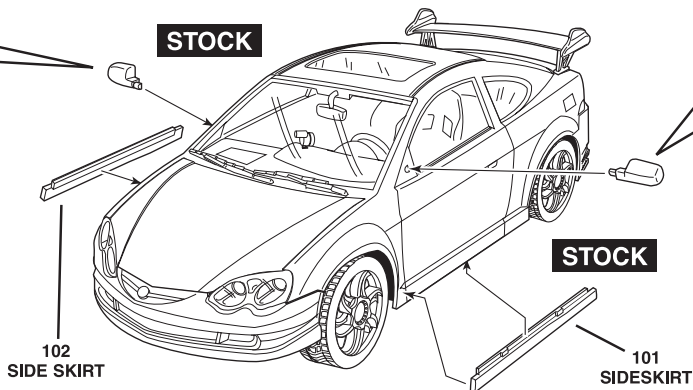
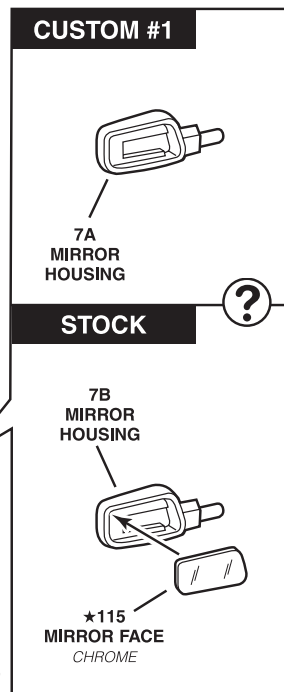
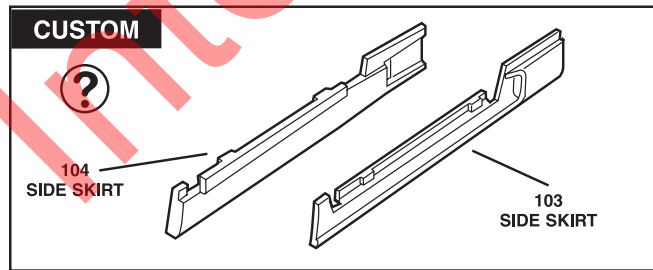
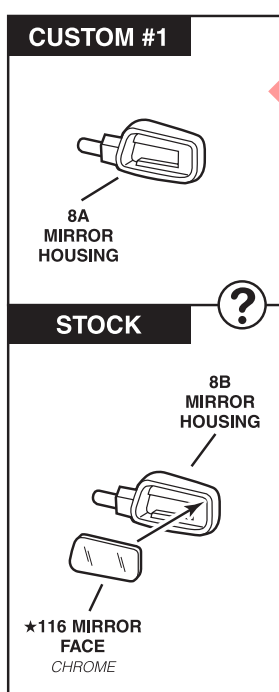
10

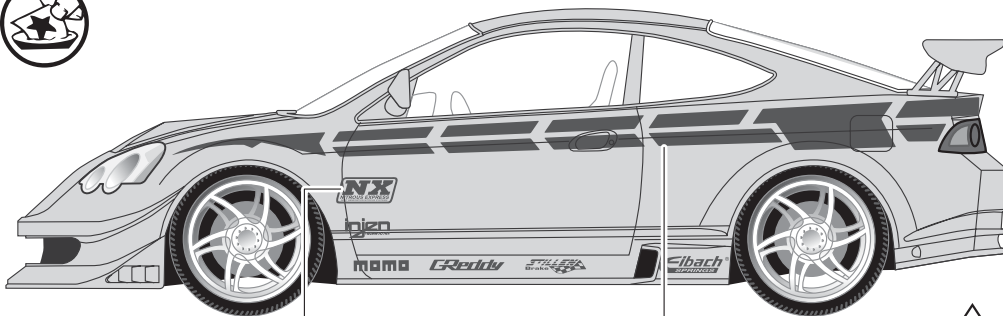
WHEELS / HOSES ASSEMBLY



11

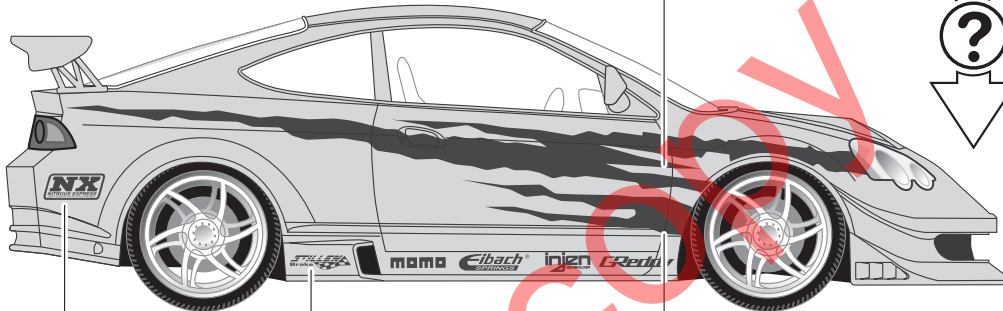
FINAL ASSEMBLY





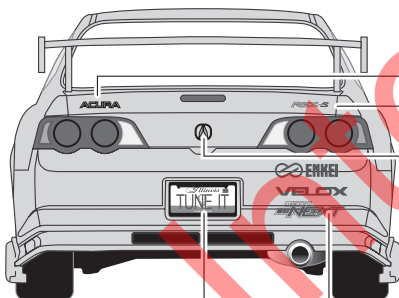
Optional sponsor decals may be applied to both sides

13 (Repeat for other side using # 14)
5 (Repeat for other side using # 6)



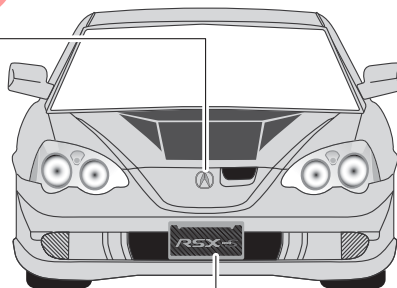
Optional sponsor decals may be applied to both sides

7 (Repeat for other side using # 8)

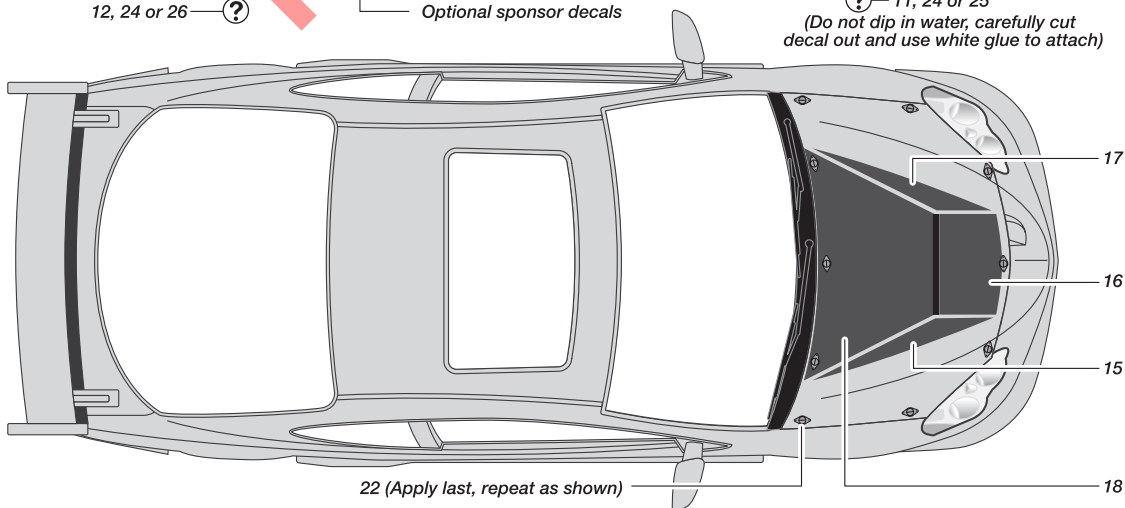


12, 24 or 26

Optional sponsor decals



11, 24 or 25
(Do not dip in water, carefully cut decal out and use white glue to attach)



22 (Apply last, repeat as shown)