

CHEVROLET '56 NOMAD WAGON

Probably no other car has impacted middle class America quite the way the 1955-57 Chevrolet did. For the first time, GM made OHV V8 engine horsepower available in a popularly priced car, and in many different body styles as well. Previously, such an engine was installed mostly in premium priced sedans. Two-door hardtop and convertible body styles were relatively scarce, and even more expensive. The new V8 Chevrolet changed all that.

One of the most unique designs was the Chevrolet Nomad station wagon. While two-door station wagons were rather common, what made this version a real standout was that it was a two-door hardtop station wagon. Next to a standard wagon, the Nomad was positively rakish, so much so, that stylists had actually inclined the tailgate to match the swept back roof pillars. Beside good looks, an increased

backlight area and wraparound rear windows gave the Nomad outstanding outward visibility. Passengers felt as though they were riding in a vista-dome railway coach!

The famous "Tri-Chevy Nomad wagons" were built on their particular chassis for only three years; 1955 to 1957. So also was the two-door hardtop Nomad wagon. Your Revell/Monogram kit is the 1956 version, never before available in a 1/25th scale plastic assembly kit. The landmark chassis is represented in full detail, as well as the revolutionary 265 CID "Smallblock" Chevrolet V8 engine. DeLuxe trim and bumper guards are included, along with full chrome wheel covers and wide whitewall tires. Based on a GM Motorama concept, customers said that owning a Nomad was like driving a show car, a fact you'll be able to appreciate when you build this authentic model kit.



* REPEAT SEVERAL TIMES
* A REPETER PLUSIEURS FOIS



* OPTIONAL PARTS
* PIECES EN OPTION



* DECAL
* DECAL COMANIE



* ALTERNATIVE ASSEMBLY
* ENSEMBLAGE ALTERNATIVE



* CEMENT TOGETHER
* A COLLER



* REMOVE AND THROW AWAY
* A RETIRER ET JETER



* DO NOT CEMENT
* NE PAS COLLER

READ THIS BEFORE YOU BEGIN

- * Study the assembly drawings.
- * Each plastic part is identified by a number.
- * In the assembly drawings, some parts will be marked by a star (★) to indicate chrome plated plastic.
- * For better paint and decal adhesion, wash the plastic parts in a mild detergent solution. Rinse and let air dry.
- * Check the fit of each piece before cementing in place.
- * Use only cement for polystyrene plastic.
- * Scrape plating and paint from areas to be cemented.
- * Allow paint to dry thoroughly before handling parts.
- * Any unused parts may be discarded.

DECAL APPLICATION INSTRUCTIONS

1. Cut desired decal from sheet.
2. Dip decal in water for a few seconds.
3. Place wet decal on paper towel.
4. Wait until decal is movable on paper backing.
5. Place decal in position on model, face up and slide backing away.
6. Press out air bubbles with a soft damp cloth.
7. Milkiness that may appear is for better decal adhesion and will dry clear. Wipe away any excess adhesive.
8. Do not touch decal until fully dry.
9. Allow the decals 48 hours to dry before applying clear coat.

NOTE: Decals are compatible with setting solutions or solvents.

LIRE CE QUI SUIT AVANT DE COMMENCER

- * Etudier les schémas de montage.
- * Chaque pièce en plastique est identifiée par un numéro.
- * Sur les schémas de montage, certaines pièces sont marquées d'une étoile (★) pour indiquer qu'elles sont en plastique chromé.
- * Pour une meilleure prise de la peinture et des autocollants, laver les pièces en plastique avec une solution détergente peu concentrée. Les rincer et les laisser sécher à l'air.
- * Vérifier que chaque pièce s'ajuste bien avant de la coller en place.
- * N'utiliser que de la colle pour polystyrène.
- * Gratter les parties à coller pour enlever le chrome et la peinture.
- * Laisser la peinture bien sécher avant de manipuler les pièces.
- * Toute pièce inutilisée peut être jetée.

DIRECTIVES D'APPLICATION DES AUTOCOLLANTS

1. Découper l'autocollant désiré de la feuille.
2. Tremper l'autocollant dans de l'eau pendant quelques secondes.
3. Placer l'autocollant mouillé sur une serviette en papier.
4. Attendez que l'autocollant puisse être déplacé sur son support en papier.
5. Mettre l'autocollant en position sur le modèle face sur le dessus et faire glisser le support pour l'enlever.
6. Appuyer avec un chiffon doux humide pour éliminer les bulles d'air.
7. La substance laiteuse qui peut apparaître est destinée à améliorer l'adhésion de l'autocollant et devient incolore au séchage. Essuyer pour enlever tout excédent d'adhésif.
8. Ne pas toucher l'autocollant tant qu'il n'est pas bien sec.
9. Laisser l'autocollant sécher pendant 48 heures avant d'appliquer une couche transparente.

REMARQUE: Les autocollants sont compatibles avec les solutions de fixation ou les solvants.

This paint guide is provided to complete this kit as shown on the box.

Ce guide de peintures est fourni pour reproduire le modèle réduit qui apparaît sur la boîte.

Semigloss Black	Noir Satiné
Flat Black	Noir Mat
Flat White	Blanc Mat
Aluminum	Aluminum
Gloss Light Green	Vert Clair Brillant
Silver	Argent
Steel	Acier
Turn Signal Amber	Ambre
Teal Metallic	Bleu-vert Metallise
Transparent Blue	Bleu Transparent

If you have any questions or comments, call our hotline at: **(800) 833-3570**
or, please write to:

Revell-Monogram Consumer Service Department, 725 Landwehr Road, Northbrook, Illinois 60062

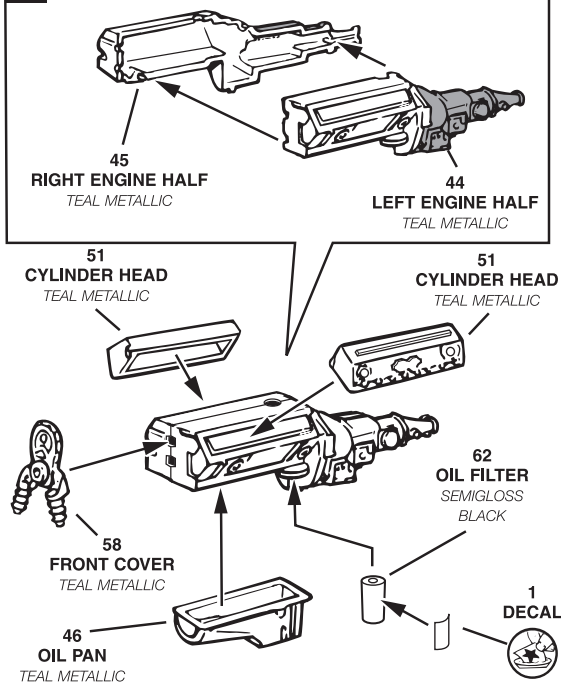
Be sure to include the plan number (85289200200), part number, description, your return address and phone number.

Visit our website: www.revell.com

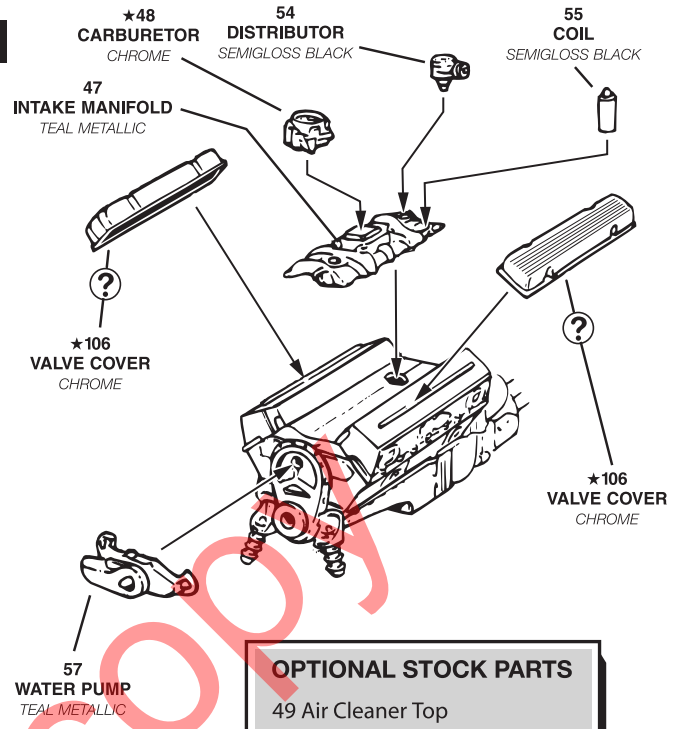
1

ENGINE ASSEMBLY

A



B



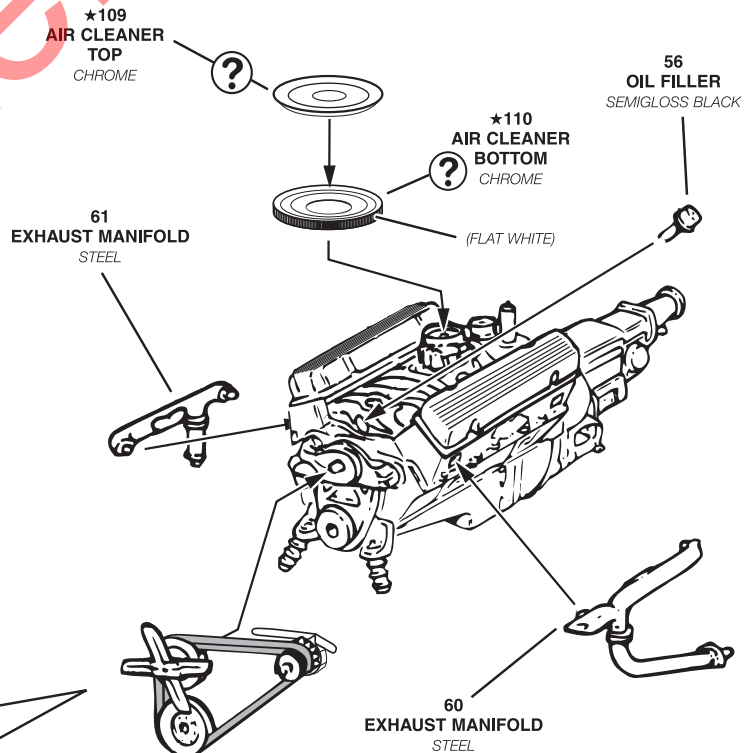
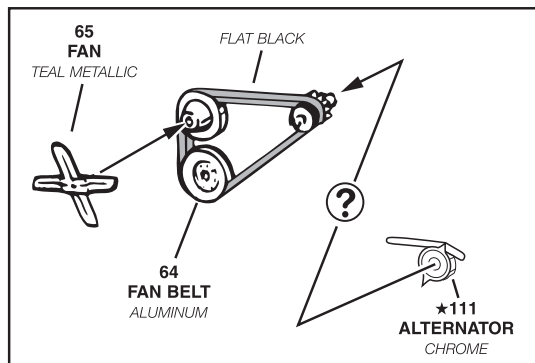
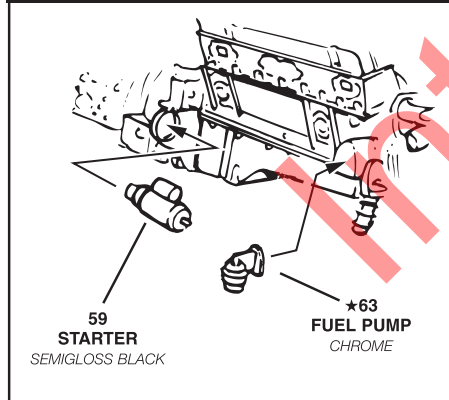
OPTIONAL STOCK PARTS

- 49 Air Cleaner Top
- 50 Air Cleaner Bottom
- 53 Valve Cover
- 66 Generator
- 67 Pump



C

RIGHT SIDE OF ENGINE



2

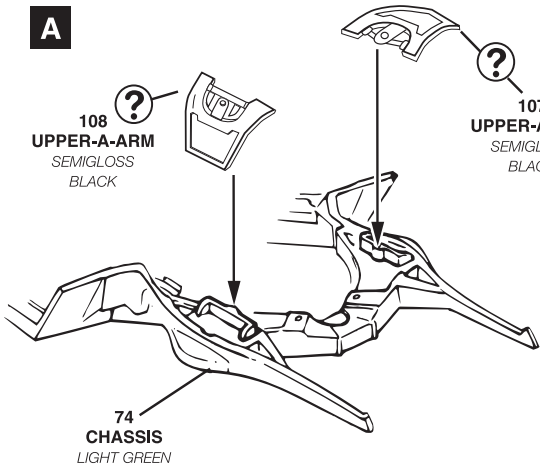
CHASSIS ASSEMBLY

A

108 **UPPER-A-ARM**
SEMIGLOSS
BLACK

107 **UPPER-A-ARM**
SEMIGLOSS
BLACK

74 **CHASSIS**
LIGHT GREEN



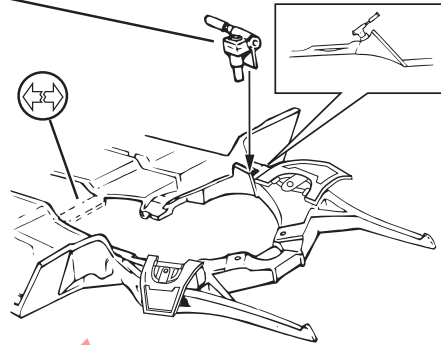
B

71 **STEERING
GEAR BOX**
SEMIGLOSS
BLACK

SIDE VIEW

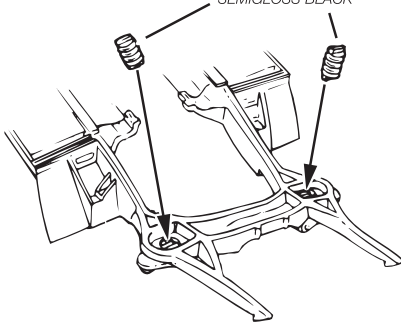
OPTIONAL STOCK PARTS

75 Lower A- Arm
76 Right Lower A-Arm
77 Left Upper A-Arm



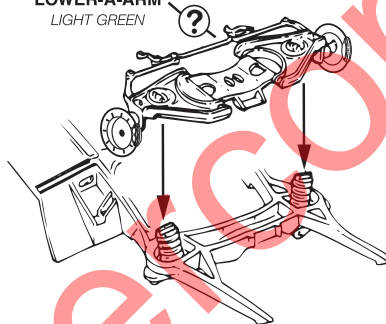
C

84 **FRONT SPRINGS**
SEMIGLOSS BLACK



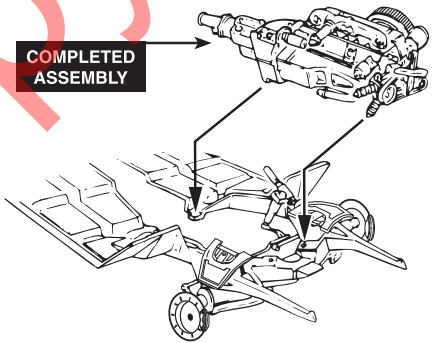
D

103 **LOWER-A-ARM**
LIGHT GREEN



E

**COMPLETED
ASSEMBLY**



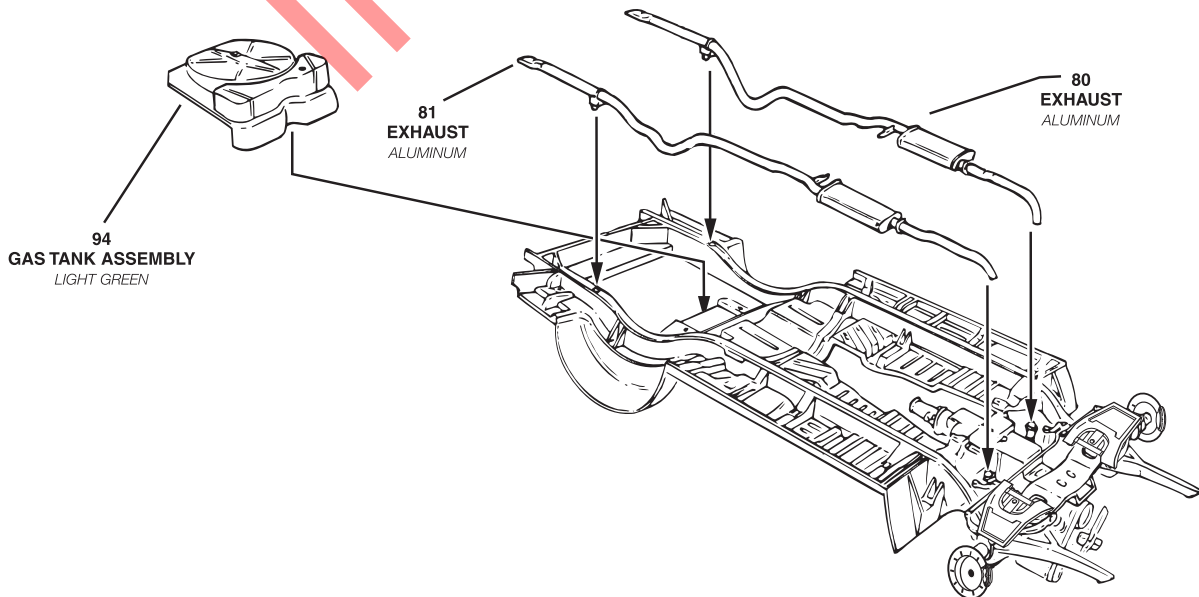
3

EXHAUST AND GAS TANK ASSEMBLY

94 **GAS TANK ASSEMBLY**
LIGHT GREEN

81 **EXHAUST**
ALUMINUM

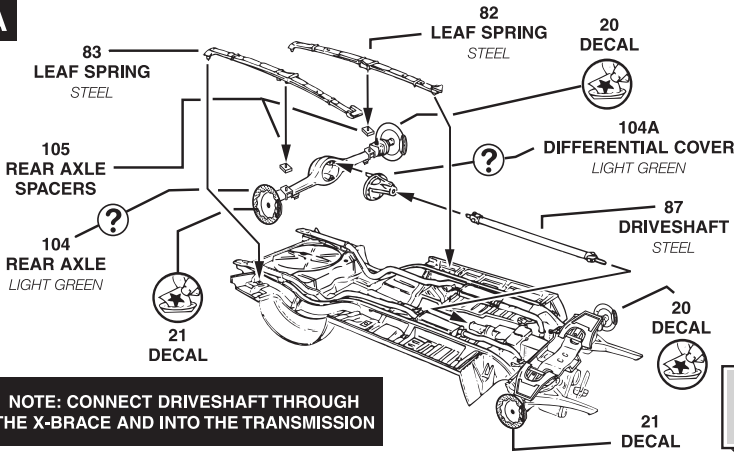
80 **EXHAUST**
ALUMINUM



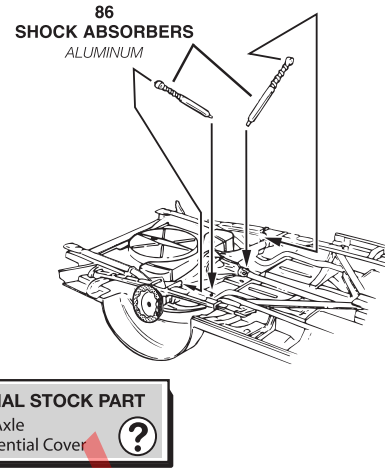
4

REAR AXLE/DRIVE SHAFT ASSEMBLY

A

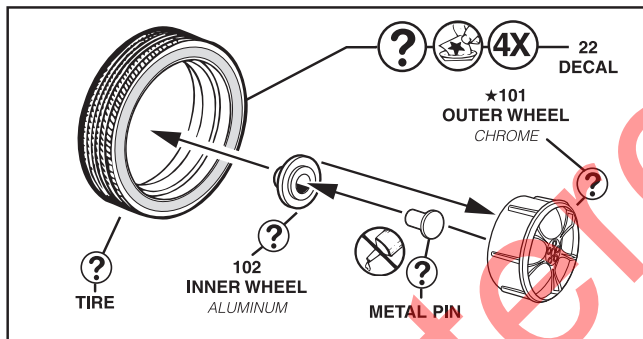


B

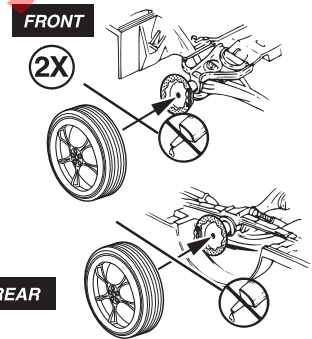


5

WHEEL / TIRE ASSEMBLY

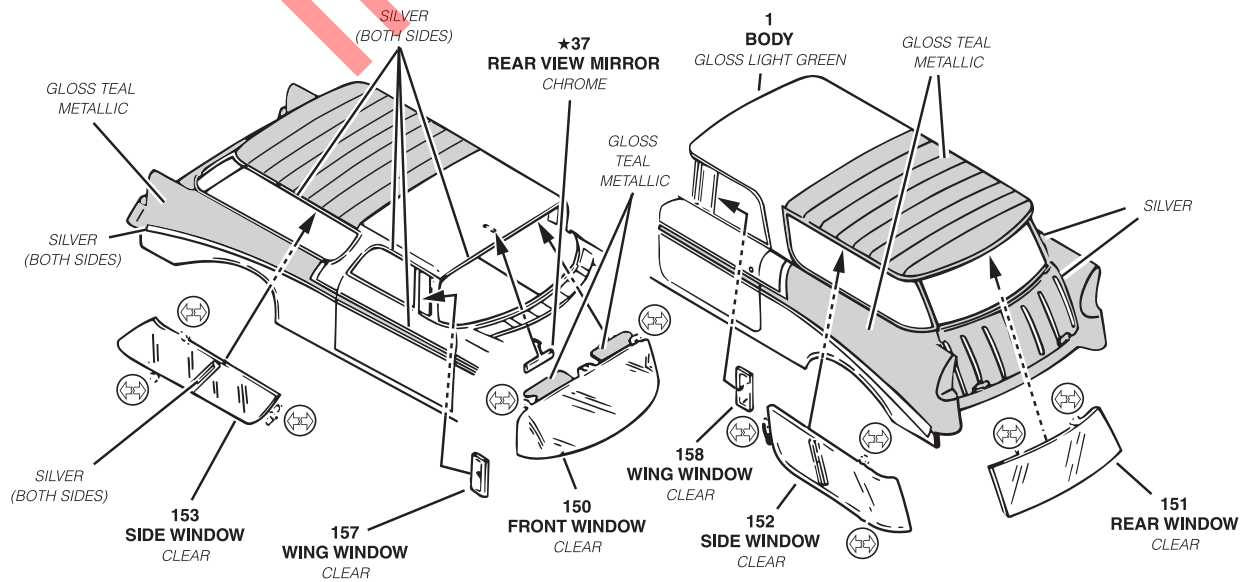


OPTIONAL STOCK PARTS
 Stock Tire
 88 Inner Wheel
 89 Hub Cap
 170 Whitewall Insert



6

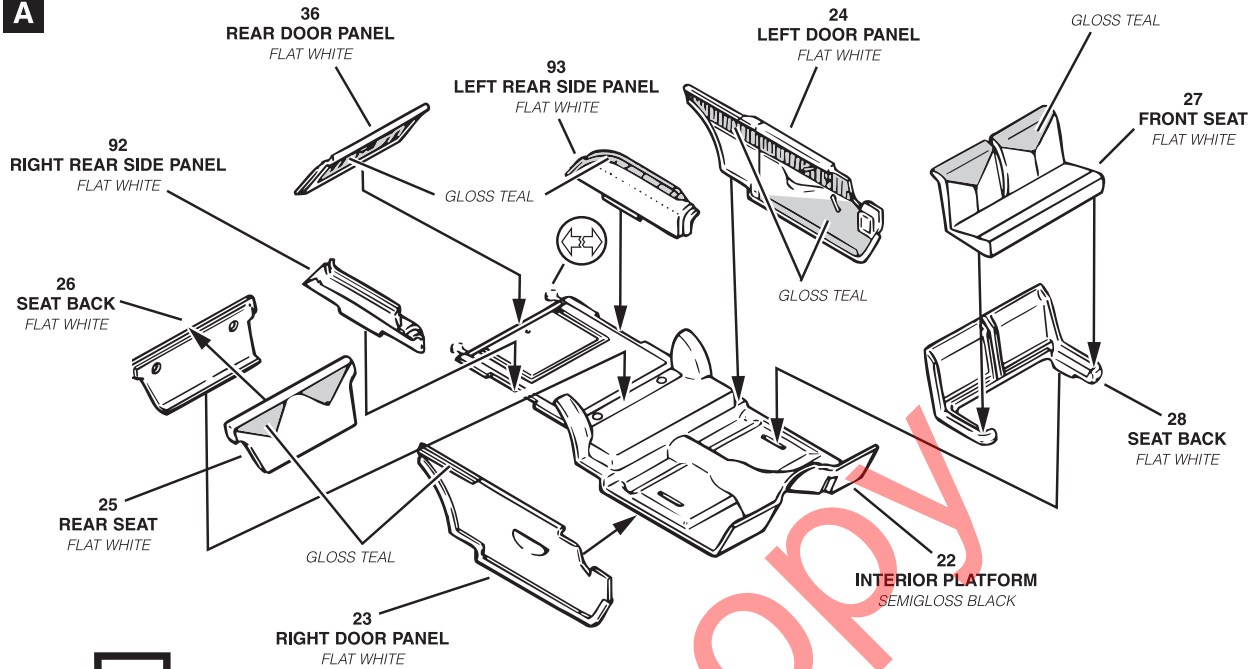
WINDOW ASSEMBLY



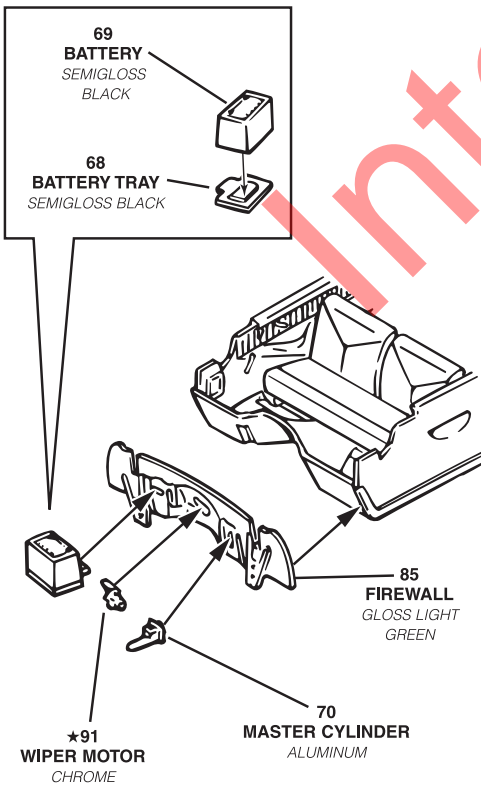
7

INTERIOR ASSEMBLY

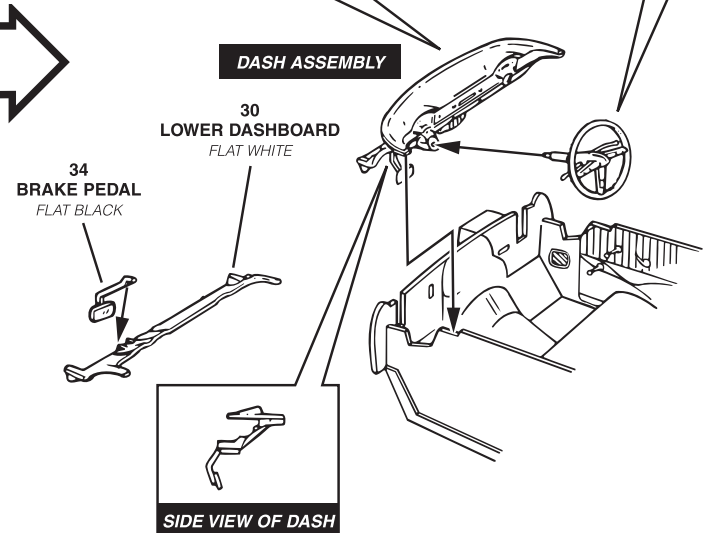
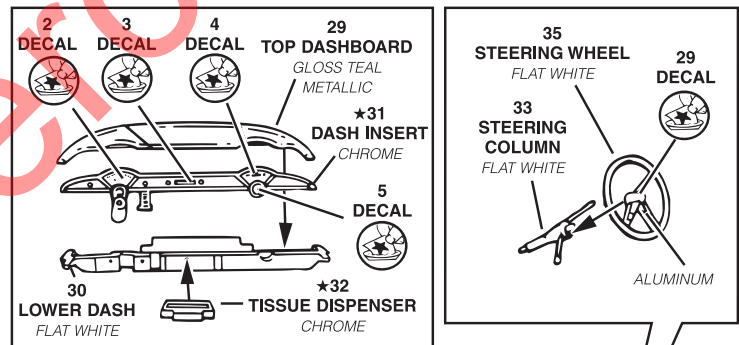
A



B

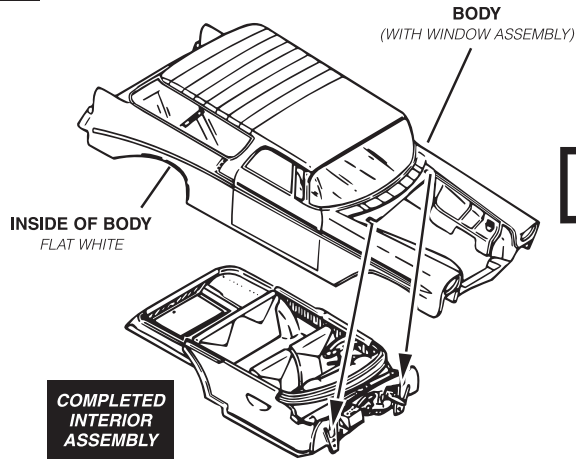


C

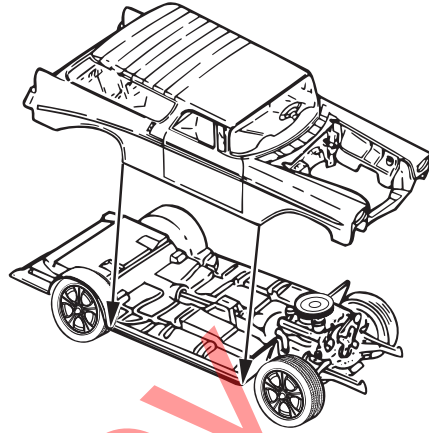


BODY ASSEMBLY

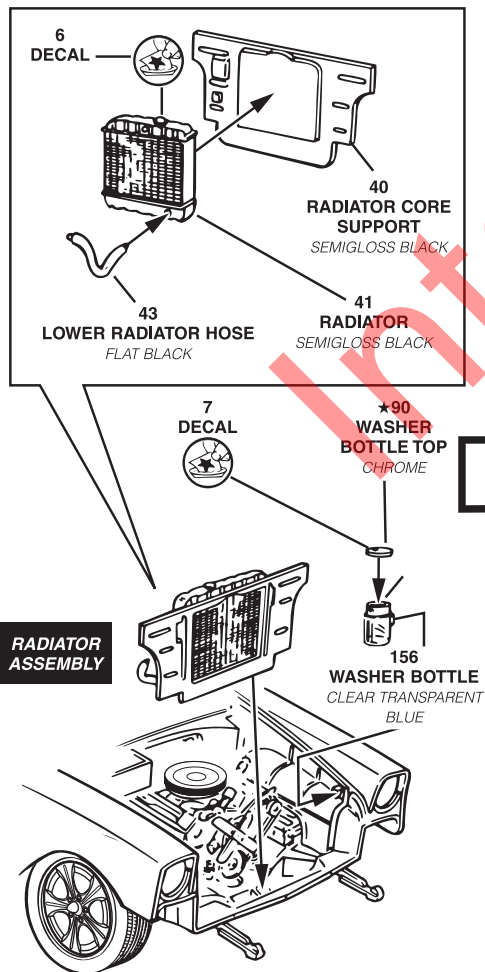
A



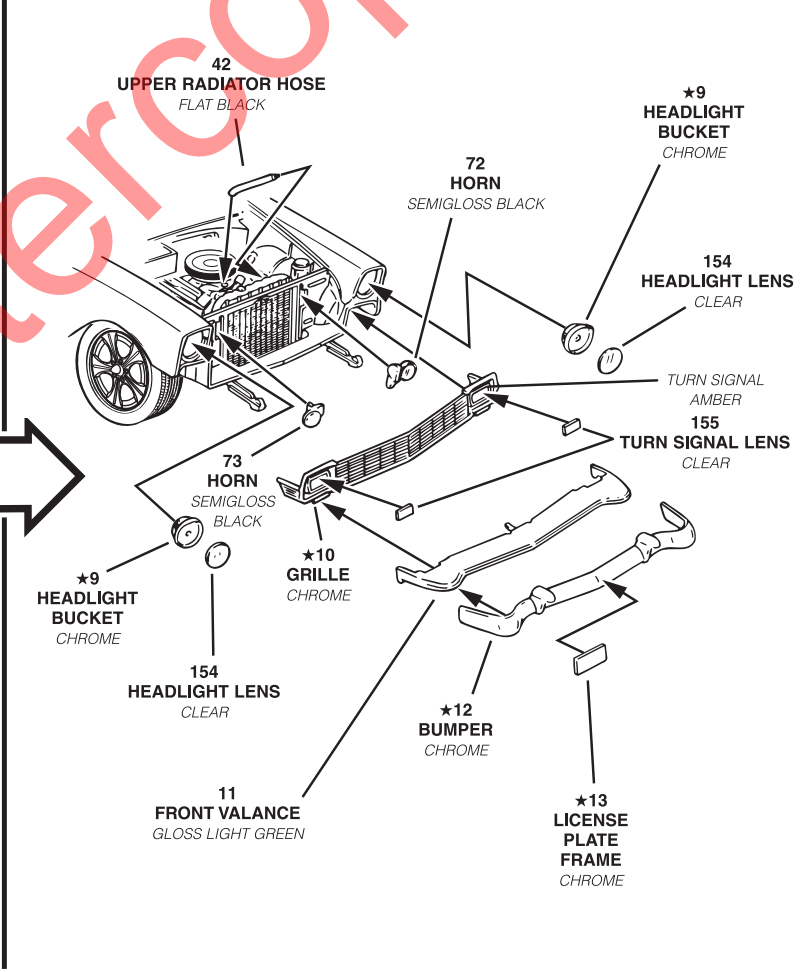
B



C

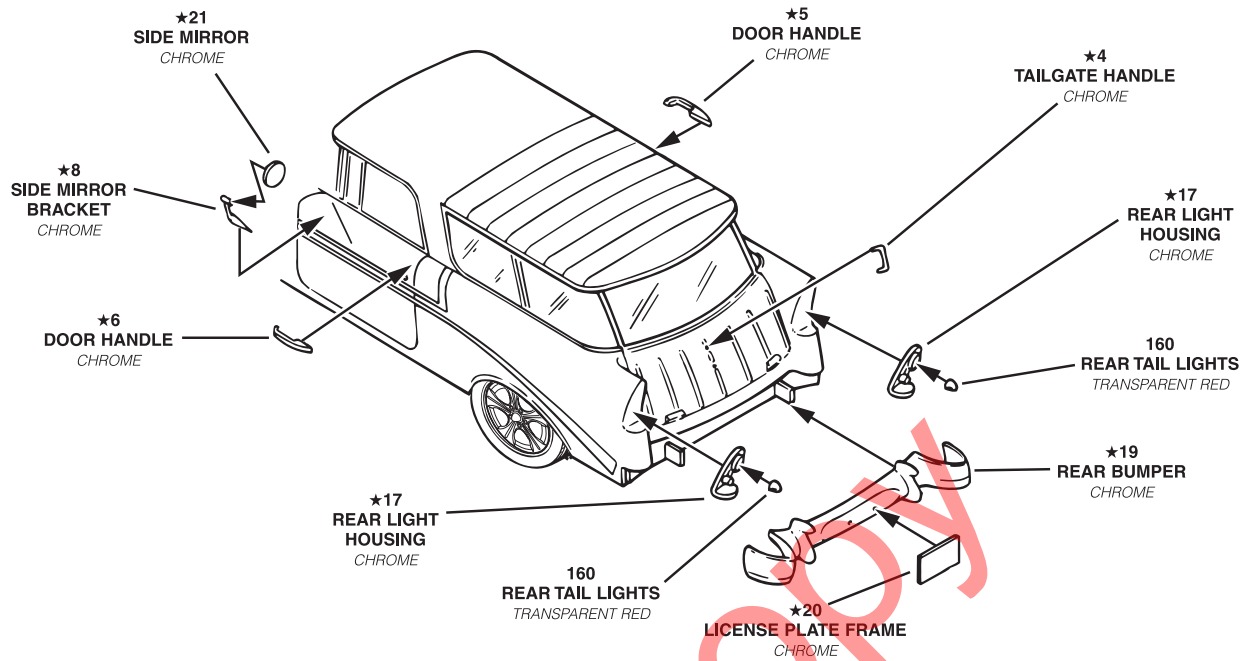


D



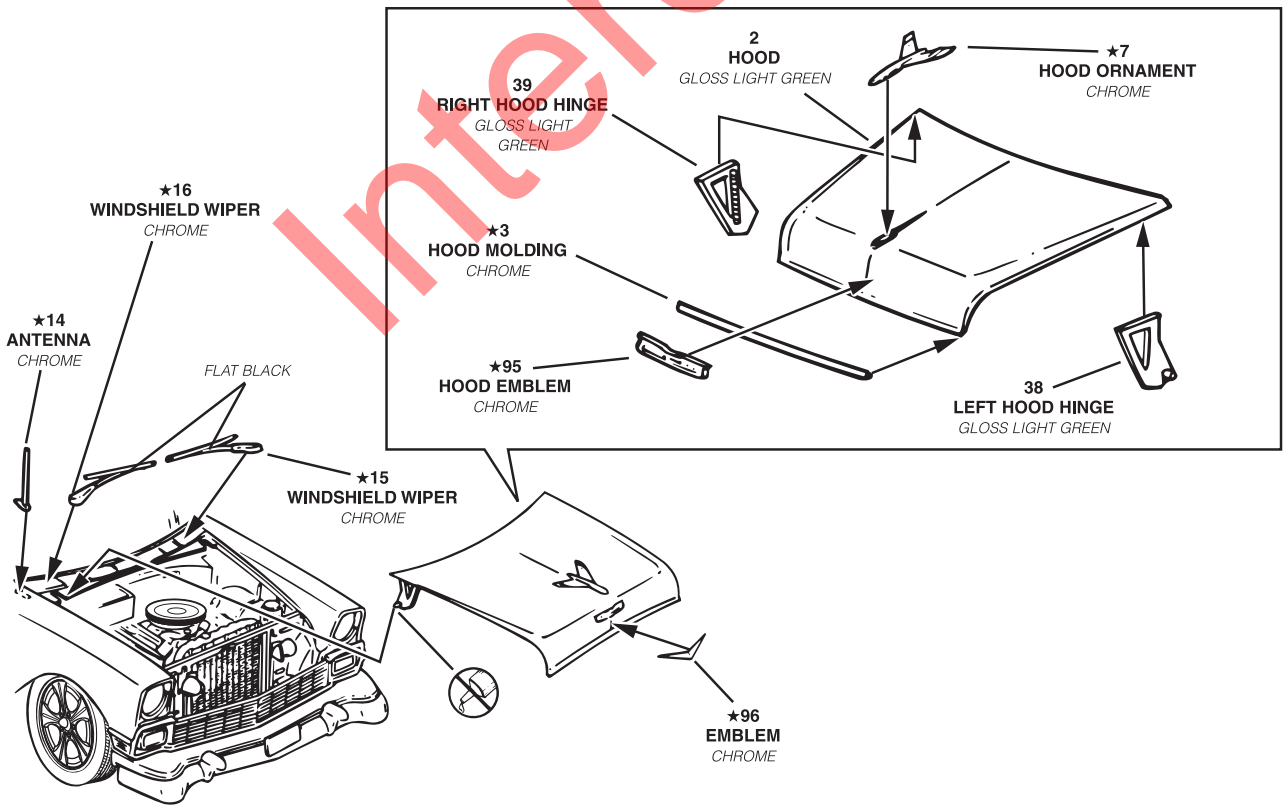
8

BODY ASSEMBLY CONTINUED



9

FINAL DETAIL ASSEMBLY



DECAL PLACEMENT

