

Revell®

KIT 2896

85289600200

FERRARI 612 SCAGLIETTI

The new 2+2 seater from Ferrari was shown to the public for the first time anywhere in the world at the Detroit Motor Show in January 2004. The presentation took place just 50 years after the first Ferrari GT established itself across the Atlantic, thus laying the foundation stone for its success on the largest single market - North America. This was soon followed by its first showing in Europe at the Geneva Motor Show. The name of this de luxe sports coupé pays tribute to Sergio Scaglietti, the builder of the Ferrari bodies in the post-war years, whose works also supplied the bodies for the 360 Modena and the Enzo Ferrari. The shape of the 612 Scaglietti has the familiar GT style: a long bonnet linked to a compact passenger compartment terminating in a straight rear. Pininfarina based his design on the lines of the 375 Mille Miglia that had been ordered from his father by Roberto Rossellini for Ingrid Bergmann back in 1954. To that design it owes its large front grille and concave recesses in the sides. The classy elegance of the 612 Scaglietti is also expressed in the unusually roomy interior. Another surprise is the amount of room given to the rear seat, the comfort of which is quickly accessed by the automatic easy entry system. The typical Ferrari ambience emanates from the material mix of choice metal, plastic and leather and also from the practical instruments. The cockpit has a clear and neat lay-out.

The driving characteristics of this de luxe coupé are as persuasive as usual. Like its predecessor the 456M GT and GTA, the 612 Scaglietti has a front engine located behind the front axle, which accounts for the striking length of the car. This position provides an almost exact equilibrium in the axle load distribution giving it almost perfect handling. To satisfy the demand for increased luxury, the 612 Scaglietti offers speed regulated power steering that guarantees optimum assistance not only on narrow mountain roads but also on motorways thanks to "firming" at high speeds. The integrated electronic stability programme CST controls the ABS and ASR, but it is possible to change over to a sports suspension at the touch of a button. The outstanding Sky Hook shock absorbers are also electronically controlled so that they adjust to differing road conditions as quick as lightning. Despite a heavy weight of 1840 kg the 612 Scaglietti proves to be very agile and light-footed. This is attributable to the 6-litre 12 cylinder engine (=612) already known from the 575M Maranello, but thanks to higher compression, multipoint fuel injection and modified initial geometry it now has a capacity of 540 bhp (397 kW). The gears are operated by an electro-hydraulic F1 sports gearshift on the steering wheel, but this can be converted to fully-automatic at the touch of a button. The Scaglietti takes just 4.4 seconds to accelerate from 0 to 100 and 15.5 seconds to 200 kph, with a top speed of 321 kph. In the 612 Scaglietti Ferrari have succeeded in combining high performance with improved luxury, now offering more comfort and at the same time more sports car than ever before.



* REPEAT SEVERAL TIMES
* A REPETER PLUSIEURS FOIS



* OPTIONAL PARTS
* PIECES EN OPTION



* DECAL
* DECAL COMANIE



* ALTERNATIVE ASSEMBLY
* ENSEMBLAGE ALTERNATIVE



* CEMENT TOGETHER
* A COLLER



* REMOVE AND THROW AWAY
* A RETIRER ET JETER



* DO NOT CEMENT
* NE PAS COLLER

READ THIS BEFORE YOU BEGIN

- * Study the assembly drawings.
- * Each plastic part is identified by a number.
- * In the assembly drawings, some parts will be marked by a star (★) to indicate chrome plated plastic.
- * For better paint and decal adhesion, wash the plastic parts in a mild detergent solution. Rinse and let air dry.
- * Check the fit of each piece before cementing in place.
- * Use only cement for polystyrene plastic.
- * Scrape plating and paint from areas to be cemented.
- * Allow paint to dry thoroughly before handling parts.
- * Any unused parts may be discarded.

DECAL APPLICATION INSTRUCTIONS

1. Cut desired decal from sheet.
2. Dip decal in water for a few seconds.
3. Place wet decal on paper towel.
4. Wait until decal is movable on paper backing.
5. Place decal in position on model, face up and slide backing away.
6. Press out air bubbles with a soft damp cloth.
7. Milkiness that may appear is for better decal adhesion and will dry clear. Wipe away any excess adhesive.
8. Do not touch decal until fully dry.
9. Allow the decals 48 hours to dry before applying clear coat.

NOTE: Decals are compatible with setting solutions or solvents.

LIRE CE QUI SUIT AVANT DE COMMENCER

- * Etudier les schémas de montage.
- * Chaque pièce en plastique est identifiée par un numéro.
- * Sur les schémas de montage, certaines pièces sont marquées d'une étoile (★) pour indiquer qu'elles sont en plastique chromé.
- * Pour une meilleure prise de la peinture et des autocollants, laver les pièces en plastique avec une solution détergente peu concentrée. Les rincer et les laisser sécher à l'air.
- * Vérifier que chaque pièce s'ajuste bien avant de la coller en place.
- * N'utiliser que de la colle pour polystyrène.
- * Gratter les parties à coller pour enlever le chrome et la peinture.
- * Laisser la peinture bien sécher avant de manipuler les pièces.
- * Toute pièce inutilisée peut être jetée.

DIRECTIVES D'APPLICATION DES AUTOCOLLANTS

1. Découper l'autocollant désiré de la feuille.
2. Tremper l'autocollant dans de l'eau pendant quelques secondes.
3. Placer l'autocollant mouillé sur une serviette en papier.
4. Attendez que l'autocollant puisse être déplacé sur son support en papier.
5. Mettre l'autocollant en position sur le modèle face sur le dessus et faire glisser le support pour l'enlever.
6. Appuyer avec un chiffon doux humide pour éliminer les bulles d'air.
7. La substance laiteuse qui peut apparaître est destinée à améliorer l'adhésion de l'autocollant et devient incolore au séchage. Essuyer pour enlever tout excédent d'adhésif.
8. Ne pas toucher l'autocollant tant qu'il n'est pas bien sec.
9. Laisser l'autocollant sécher pendant 48 heures avant d'appliquer une couche transparente.

REMARQUE: Les autocollants sont compatibles avec les solutions de fixation ou les solvants.

This paint guide is provided to complete this kit as shown on the box.

Ce guide de peintures est fourni pour reproduire le modèle réduit qui apparaît sur la boîte.

Aluminum	Aluminium
Flat Grey	Gris mat
Satin Dark Grey	Gris foncé satiné
Satin Grey	Gris satiné
Satin Black	Noir satiné
Steel	Acier
Satin Red	Rouge satiné
Silver	Argent
Flat Brown	Brun mat
Satin Brown	Brun satiné
Gloss Red	Rouge brillant
Gloss Blue	Bleu brillant
Transparent Red	Rouge transparent
Turn Signal Amber	Feu clignotant de direction ambre

If you have any questions or comments, call our hotline at: **(800) 833-3570**
or, please write to:

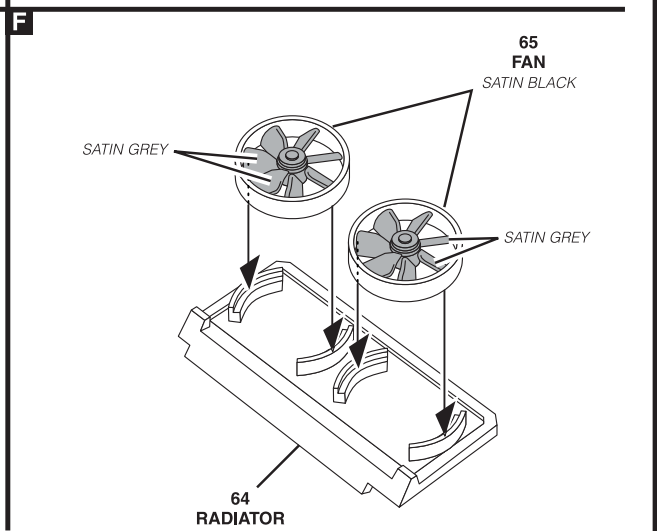
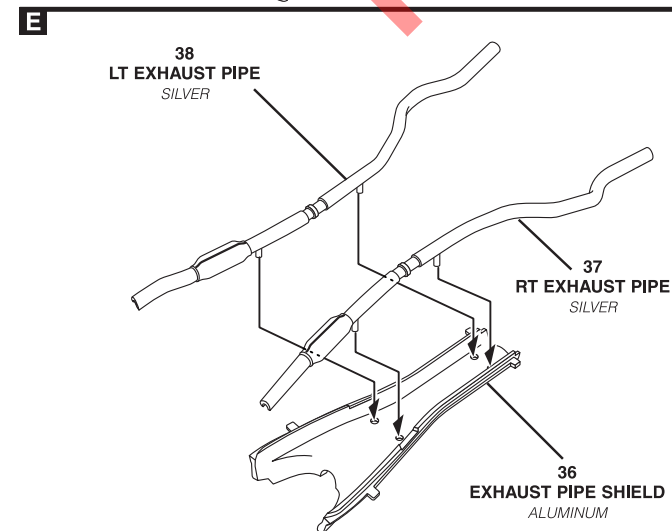
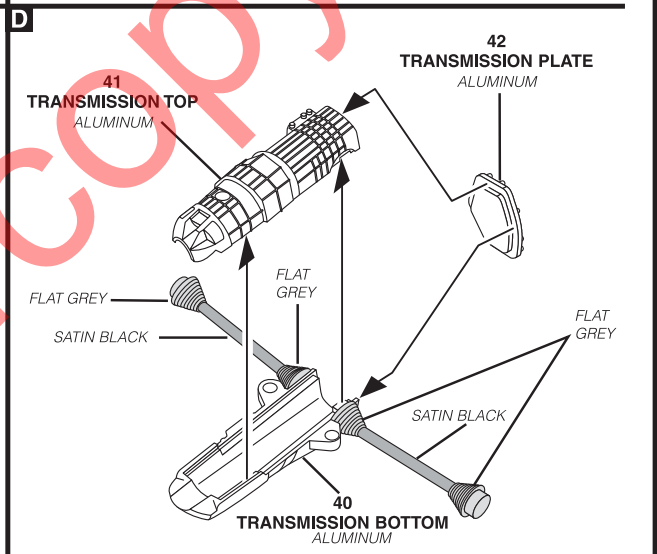
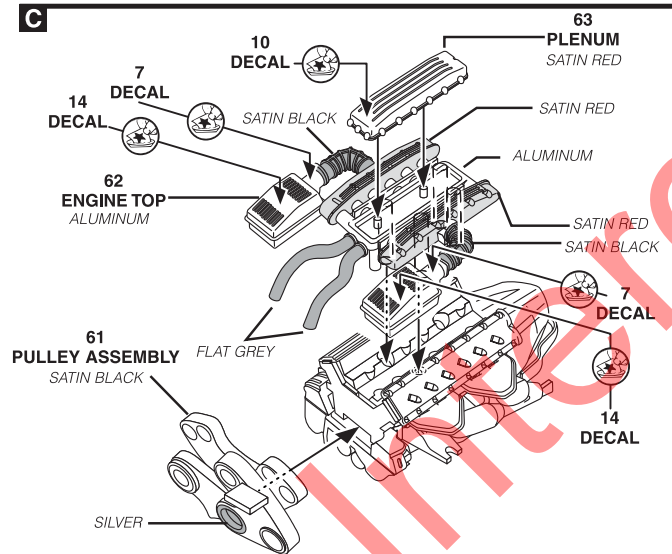
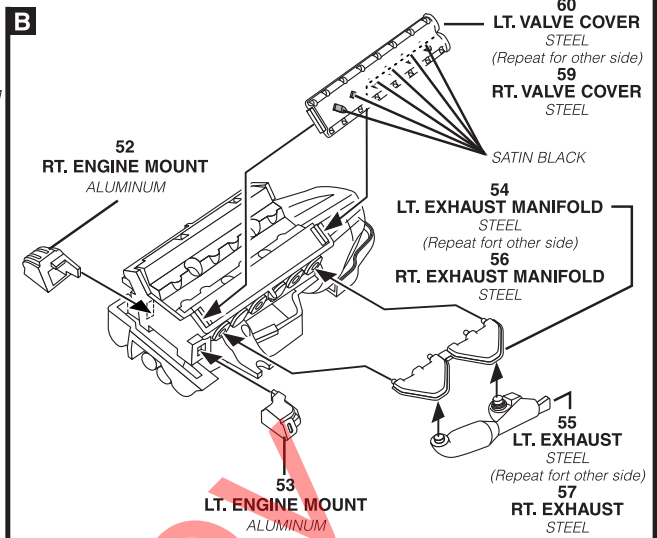
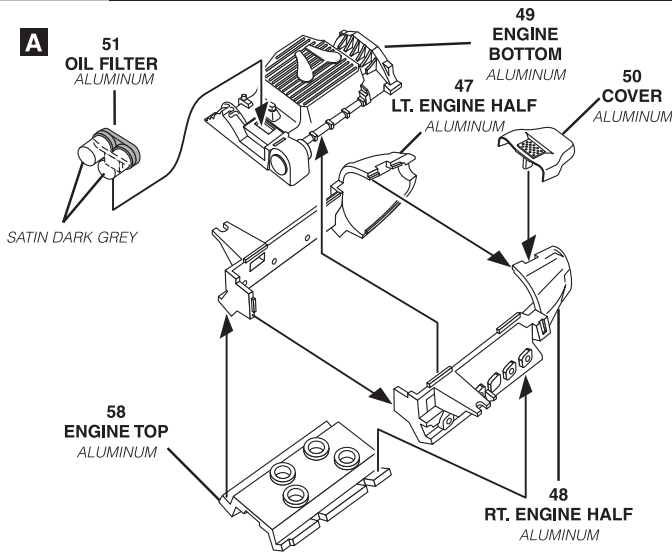
Revell-Monogram Consumer Service Department, 725 Landwehr Road, Northbrook, Illinois 60062

Be sure to include the plan number (85289600200), part number, description, your return address and phone number.

Visit our website: www.revellmonogram.com

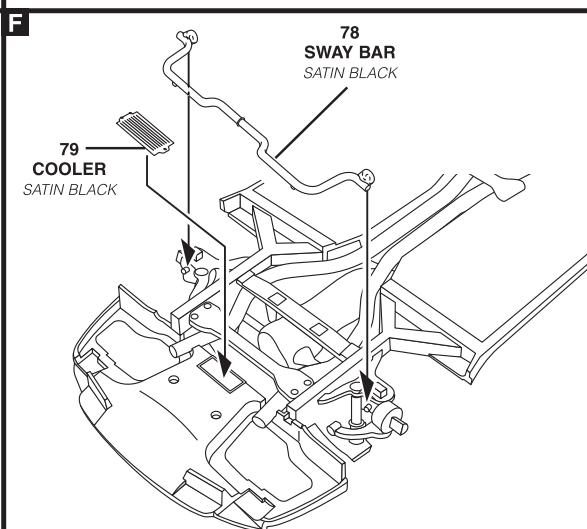
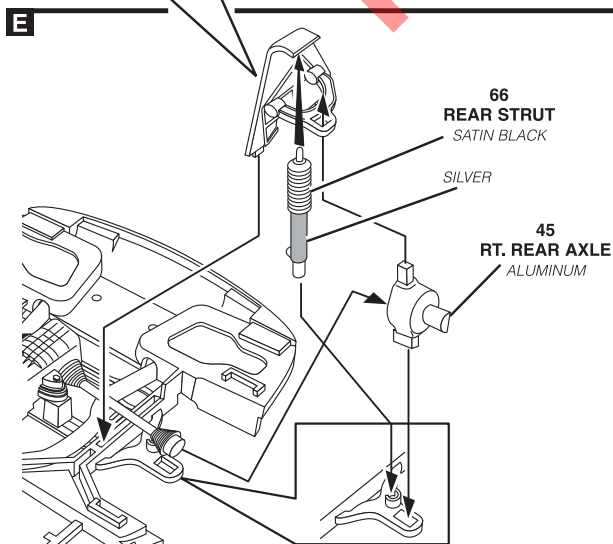
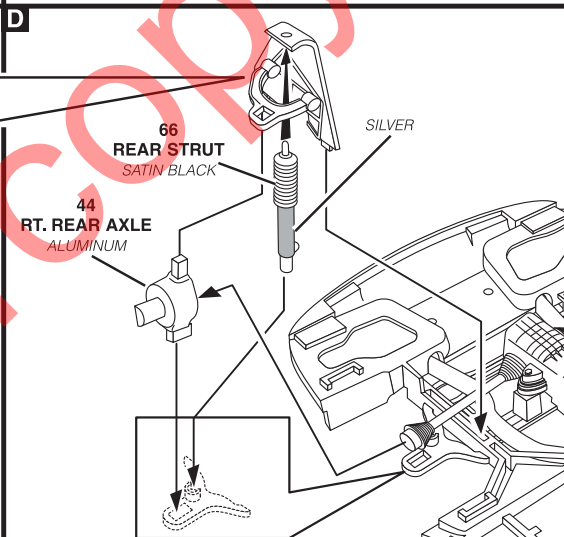
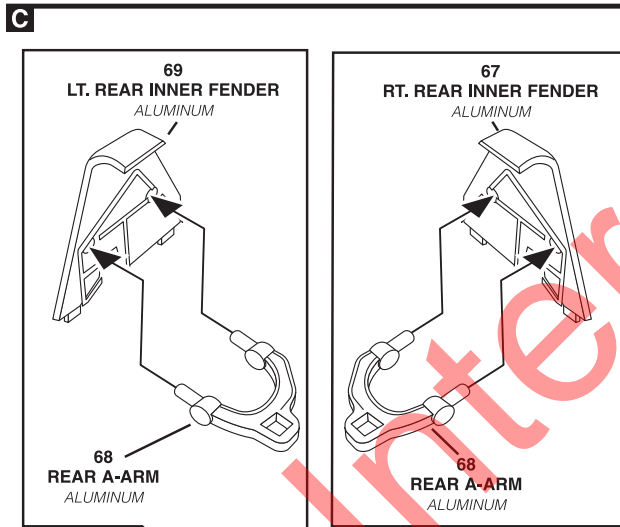
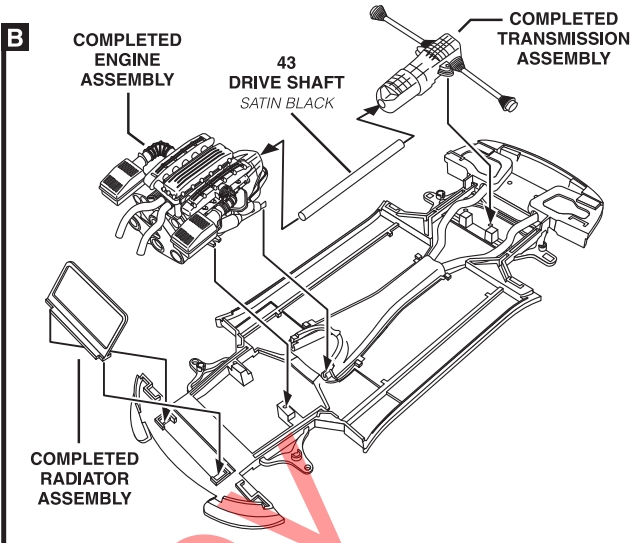
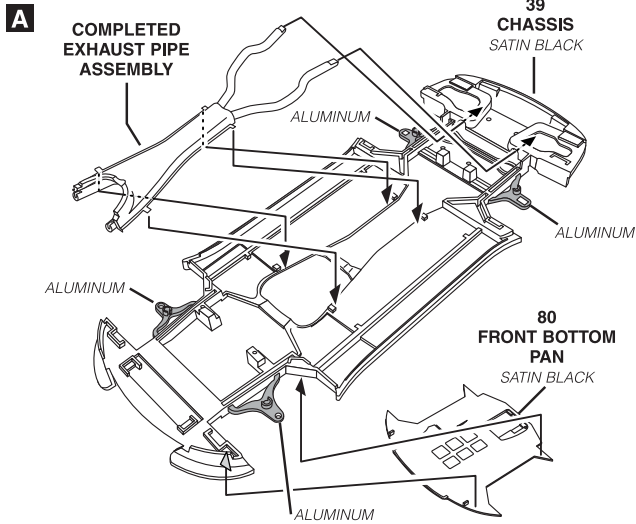
1

ENGINE ASSEMBLY



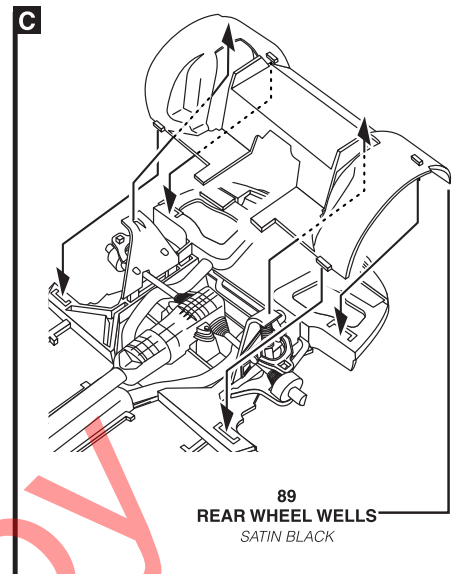
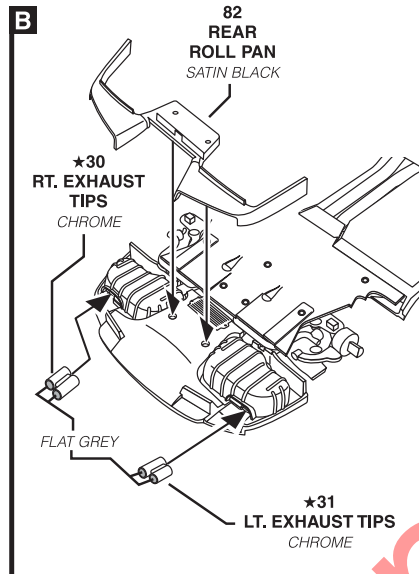
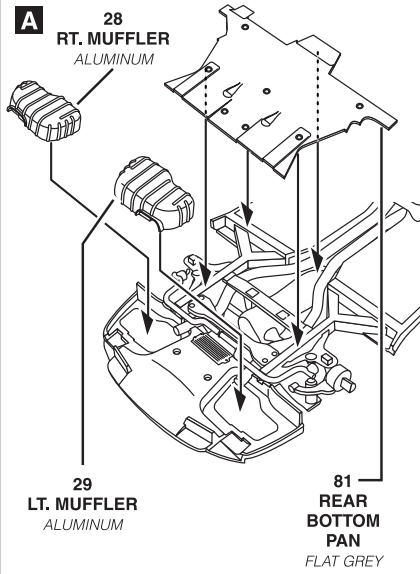
2

REAR SUSPENSION & CHASSIS ASSEMBLY



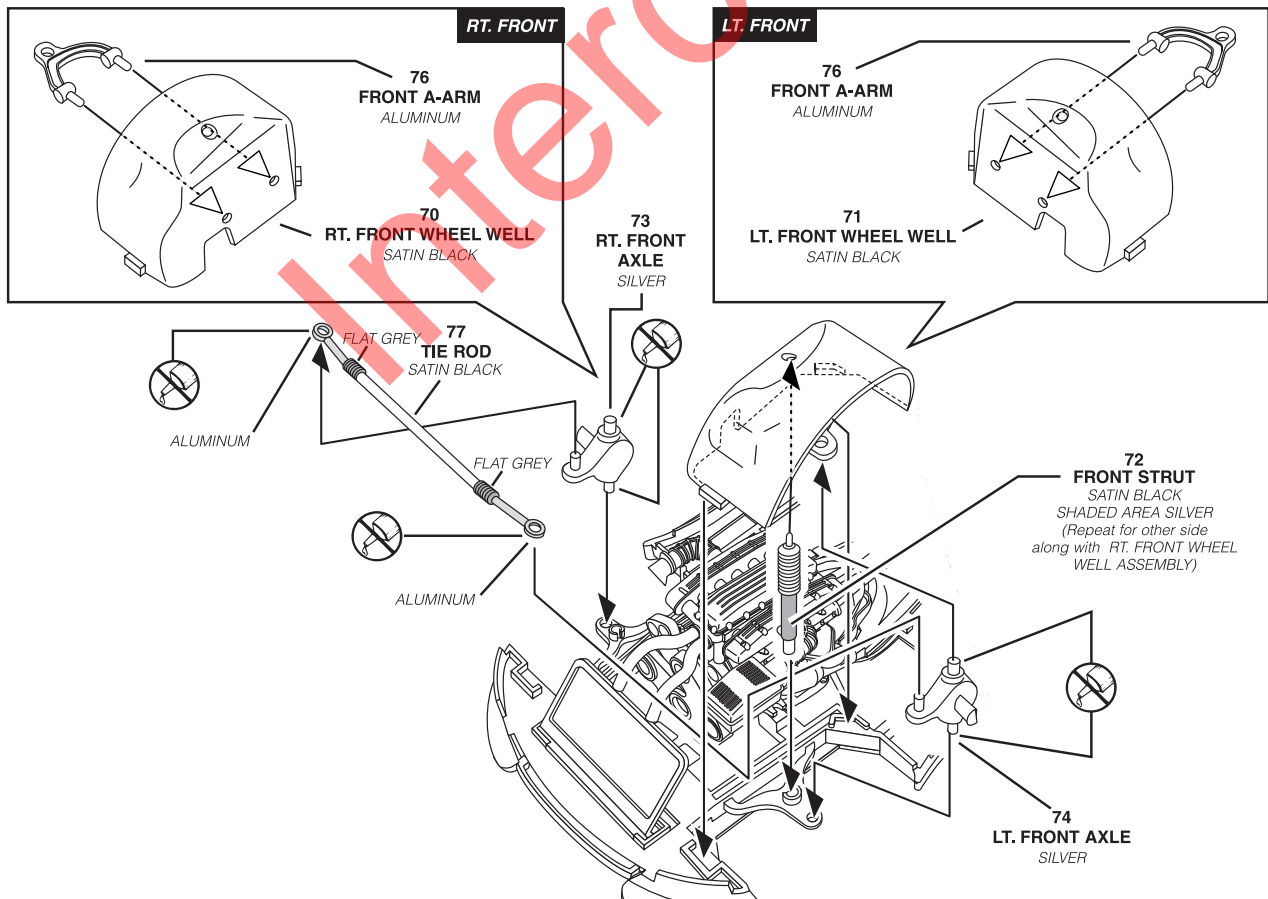
3

REAR CHASSIS ASSEMBLY



4

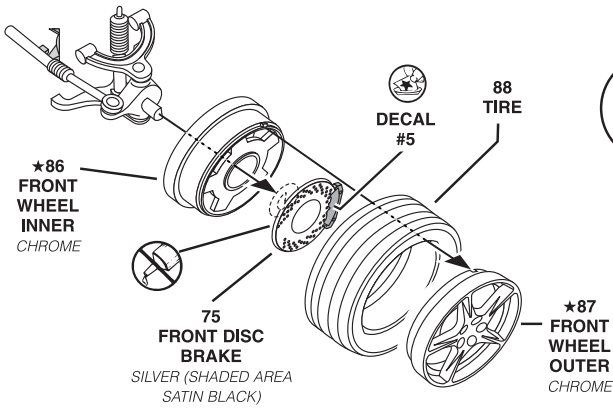
FRONT SUSPENSION ASSEMBLY



5

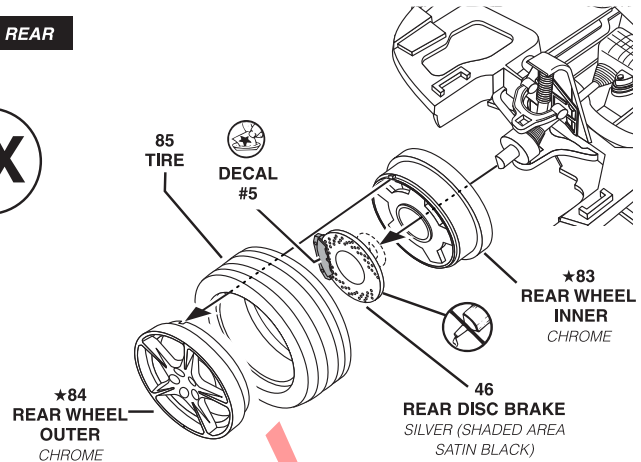
WHEEL ASSEMBLY

FRONT



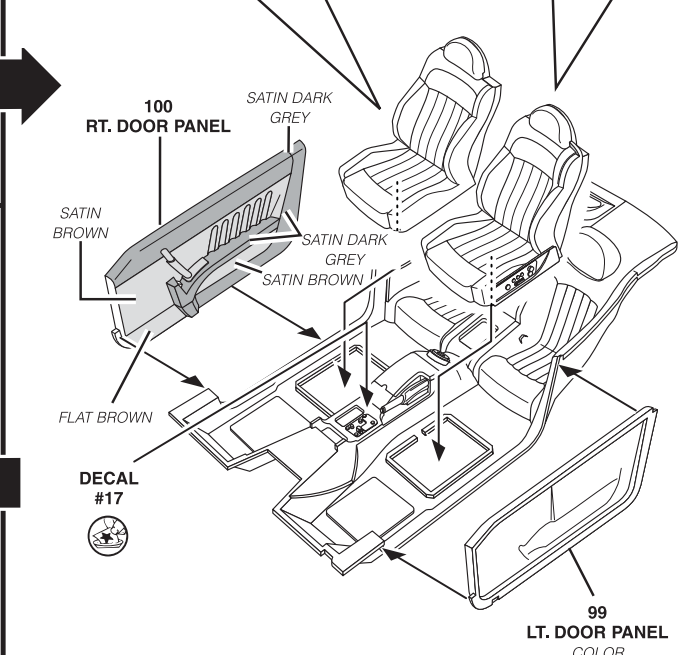
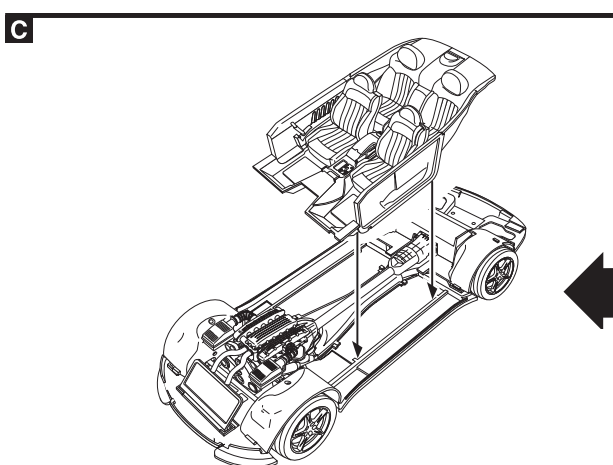
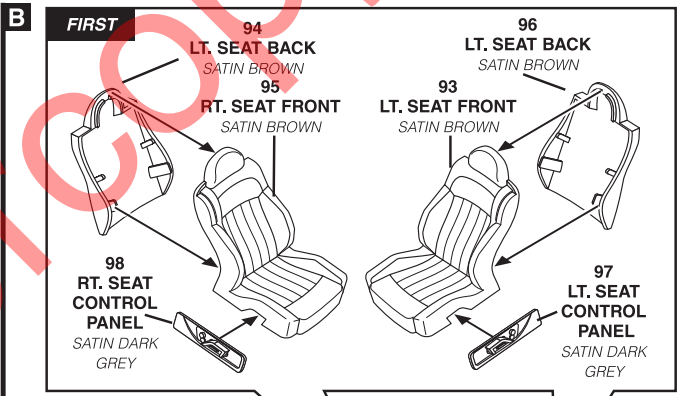
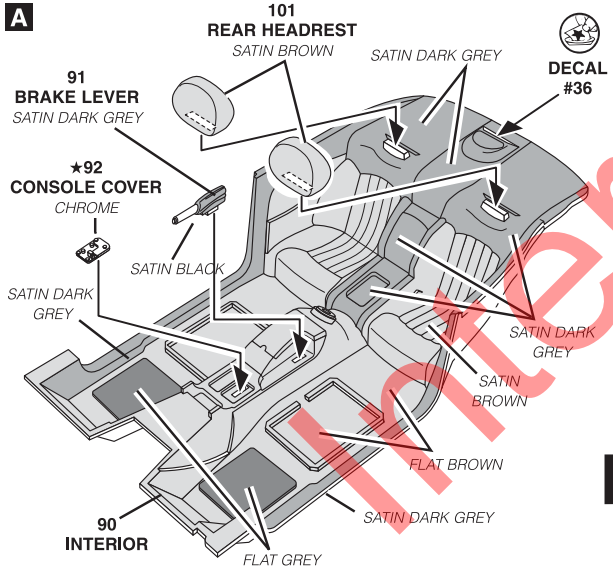
REAR

2X



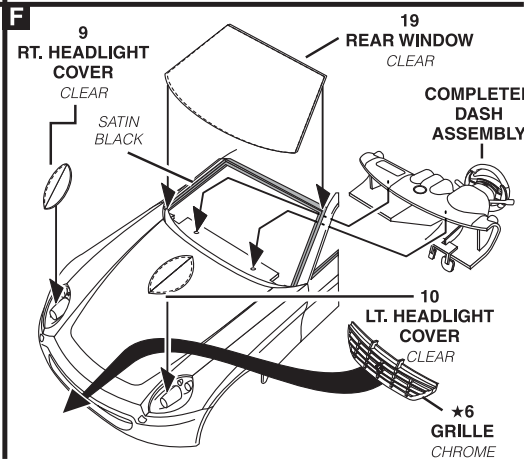
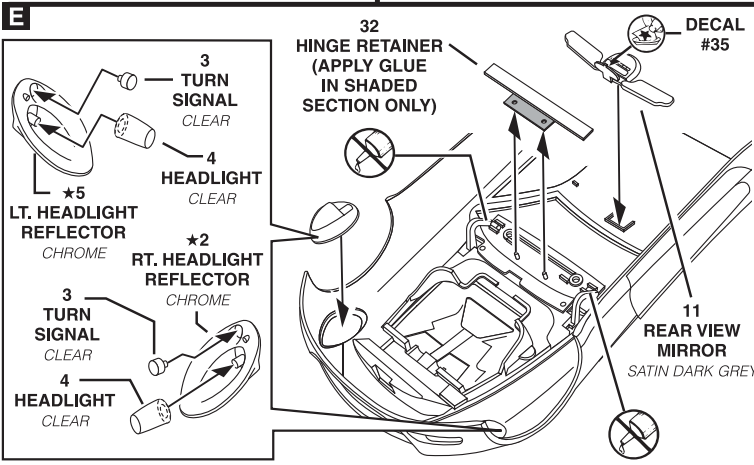
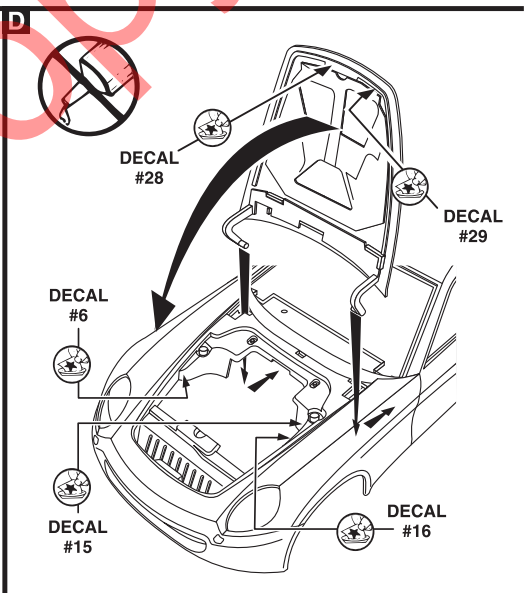
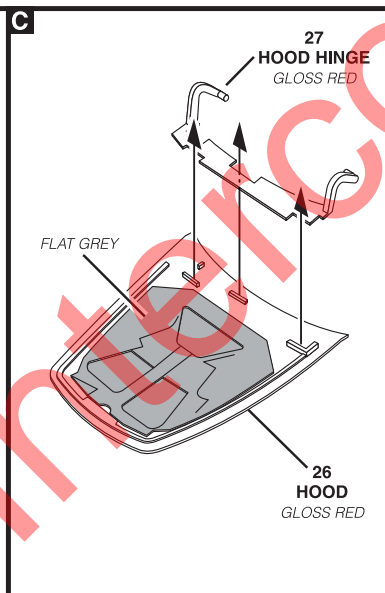
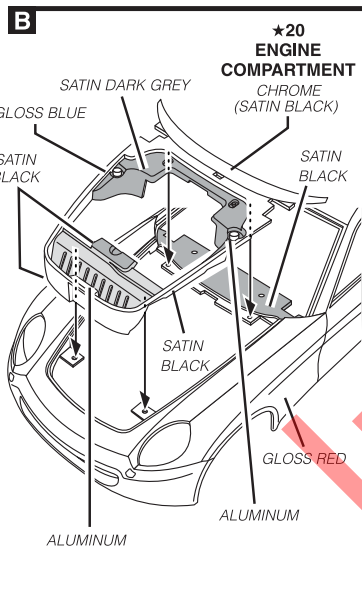
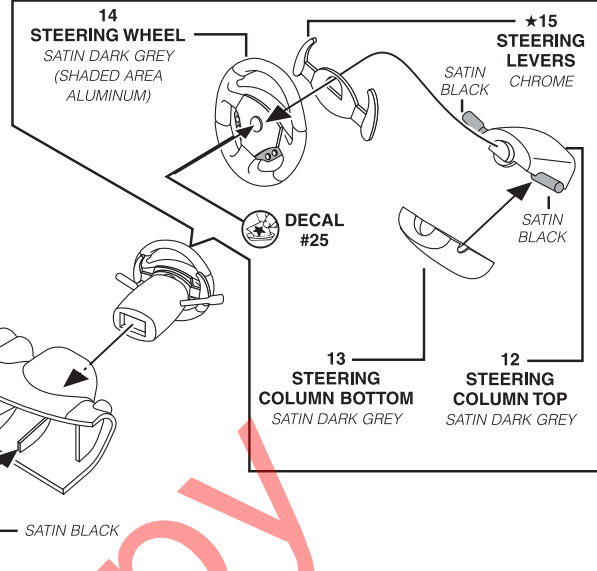
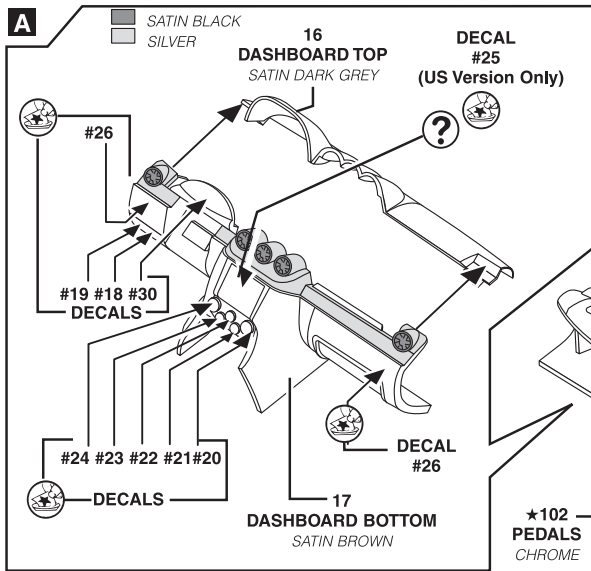
6

INTERIOR ASSEMBLY

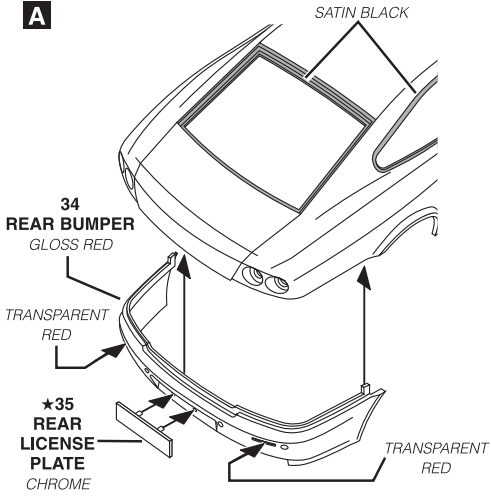


7

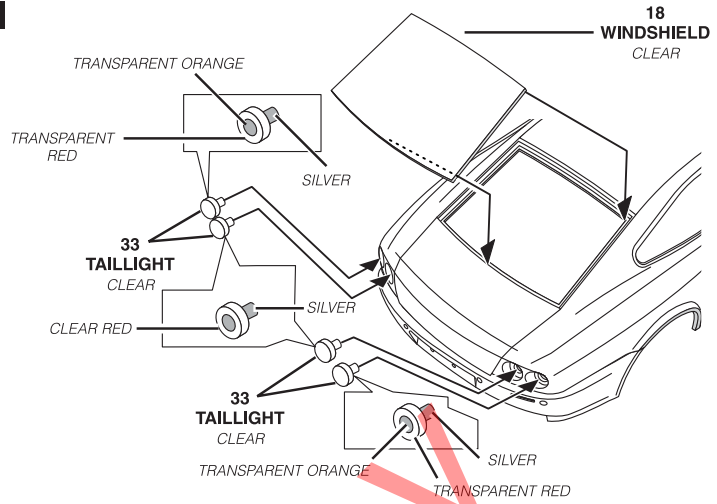
DASH & BODY ASSEMBLY



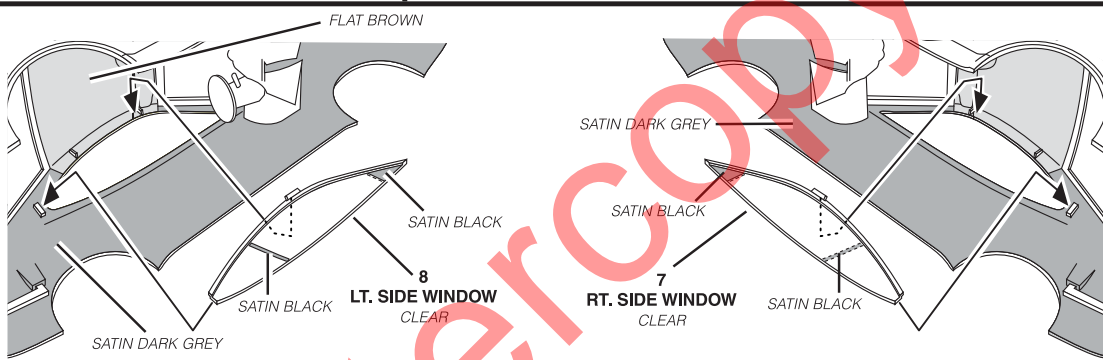
A



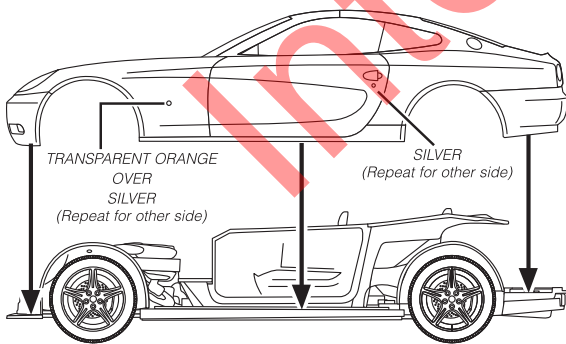
B



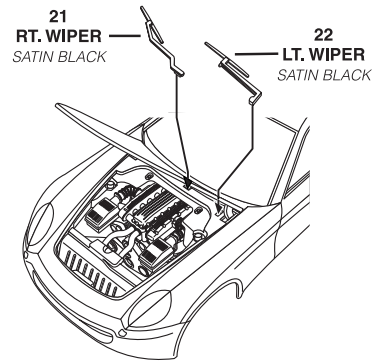
C



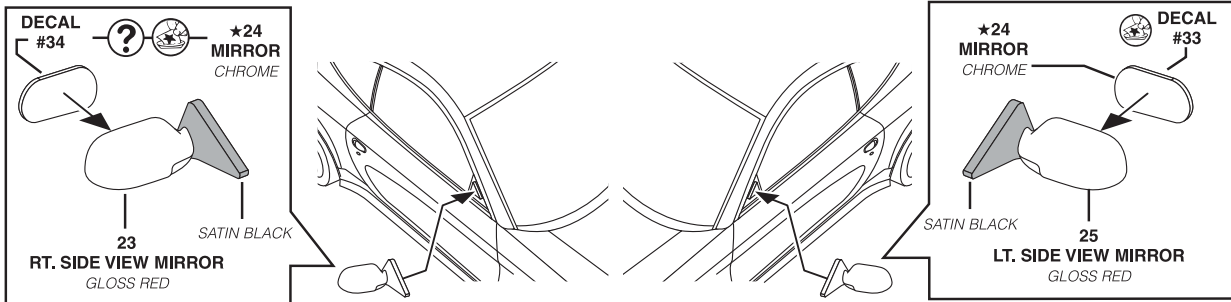
D



E



F



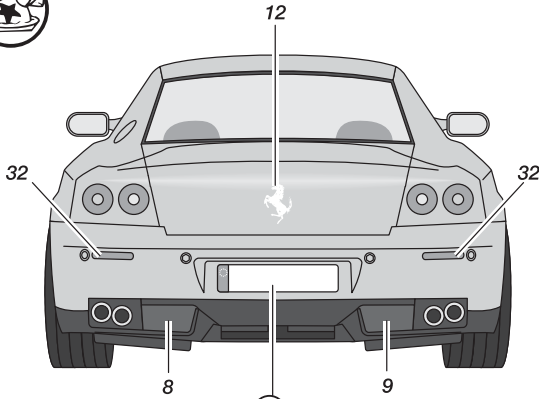
9

DECAL PLACEMENT

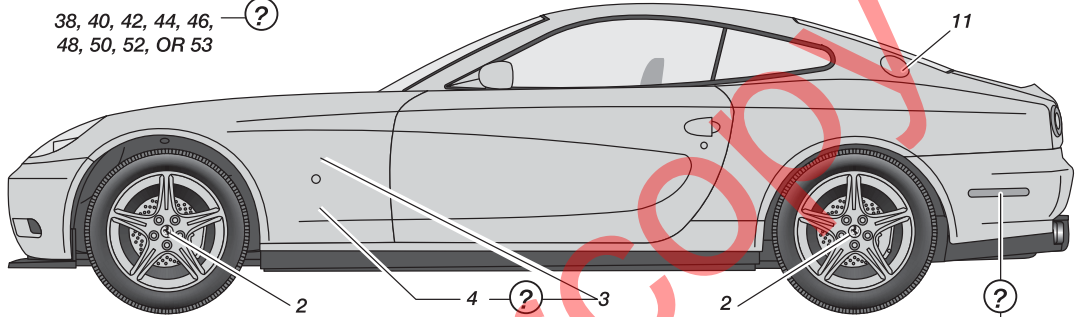
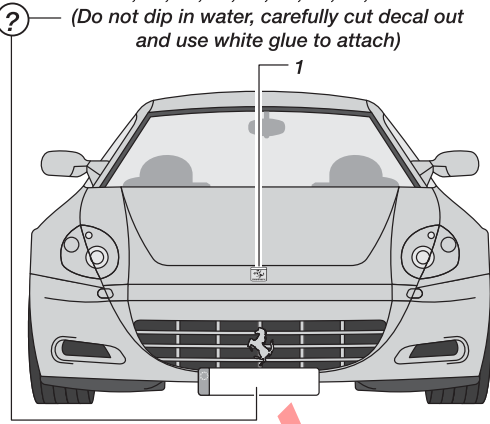


37, 39, 41, 43, 45, 47, 49, 51, OR 54

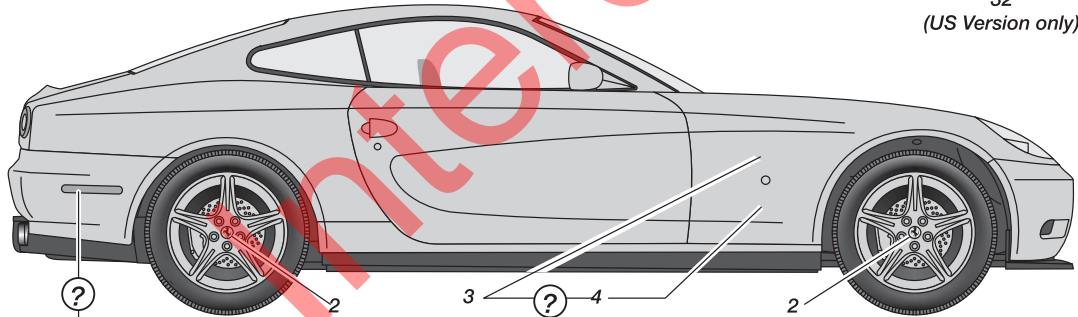
(Do not dip in water, carefully cut decal out and use white glue to attach)



38, 40, 42, 44, 46, 48, 50, 52, OR 53



(US Version only)



(US Version only)

