



KIT 5247

85524700200

X-15 EXPERIMENTAL AIRCRAFT

The three X-15's, built by North American Aviation in the 1960's were to determine if manned aircraft could be built to safely withstand speeds of up to Mach 6 and to reach extreme altitudes above 100,000 feet.

Because the plane must be small and contain huge quantities of rocket fuel, the X-15 was designed to be carried aloft under the wing of a modified B-52 bomber, then dropped. This saved all of the on-board fuel for speed and altitude tests.

The first glide-drop was made on July 24, 1959. On its first powered flight, occurring on September 17, 1959, the plane immediately exceeded Mach 2. By the end of the program, in October, 1967, the three planes had made 199 flights, reached Mach 6, or 4,520 mph, and climbed to an altitude of 354,200 feet, both unofficial world records. (Unofficial because the X-15 did not take off under its own power.

In flights above 270,000 feet, or about fifty miles, the pilots were awarded the coveted astronaut wings.

The X-15A-2, depicted by this Monogram model, is now on display at the Air Force Museum. It was the second of the three built. Although it was nearly destroyed in a crash landing on November 9, 1962, the plane was rebuilt with a stretched fuselage and redesignated X-15A-2. A pair of giant fuel tanks could be strapped onto the new version to extend its powered flight. On October 3, 1967, the speed record was set in this plane. Painted overall white with a heat-resistant paint and a dummy scramjet mounted beneath the lower fin, the plane reached the incredible speed of 4,520 mph. This was the last X-15 flight, number 199, in a fantastic series of tests that ultimately led to the successful development of the space shuttle.



* REPEAT SEVERAL TIMES
* A REPETER PLUSIEURS FOIS



* OPTIONAL PARTS
* PIECES EN OPTION



* DECAL
* DECAL COMANIE



* ALTERNATIVE ASSEMBLY
* ENSEMBLAGE ALTERNATIVE



* CEMENT TOGETHER
* A COLLER



* REMOVE AND THROW AWAY
* A RETIRER ET JETER



* DO NOT CEMENT
* NE PAS COLLER

READ THIS BEFORE YOU BEGIN

- * Study the assembly drawings.
- * Each plastic part is identified by a number.
- * In the assembly drawings, some parts will be marked by a star (★) to indicate chrome plated plastic.
- * For better paint and decal adhesion, wash the plastic parts in a mild detergent solution. Rinse and let air dry.
- * Check the fit of each piece before cementing in place.
- * Use only cement for polystyrene plastic.
- * Scrape plating and paint from areas to be cemented.
- * Allow paint to dry thoroughly before handling parts.
- * Any unused parts may be discarded.

DECAL APPLICATION INSTRUCTIONS

1. Cut desired decal from sheet.
2. Dip decal in water for a few seconds.
3. Place wet decal on paper towel.
4. Wait until decal is movable on paper backing.
5. Place decal in position on model, face up and slide backing away.
6. Press out air bubbles with a soft damp cloth.
7. Milkyness that may appear is for better decal adhesion and will dry clear. Wipe away any excess adhesive.
8. Do not touch decal until fully dry.
9. Allow the decals 48 hours to dry before applying clear coat.

NOTE: Decals are compatible with setting solutions or solvents.

LIRE CE QUI SUIT AVANT DE COMMENCER

- * Etudier les schémas de montage.
- * Chaque pièce en plastique est identifiée par un numéro.
- * Sur les schémas de montage, certaines pièces sont marquées d'une étoile (★) pour indiquer qu'elles sont en plastique chromé.
- * Pour une meilleure prise de la peinture et des autocollants, laver les pièces en plastique avec une solution détergente peu concentrée. Les rincer et les laisser sécher à l'air.
- * Vérifier que chaque pièce s'ajuste bien avant de la coller en place.
- * N'utiliser que de la colle pour polystyrène.
- * Gratter les parties à coller pour enlever le chrome et la peinture.
- * Laisser la peinture bien sécher avant de manipuler les pièces.
- * Toute pièce inutilisée peut être jetée.

DIRECTIVES D'APPLICATION DES AUTOCOLLANTS

1. Découper l'autocollant désiré de la feuille.
2. Tremper l'autocollant dans de l'eau pendant quelques secondes.
3. Placer l'autocollant mouillé sur une serviette en papier.
4. Attendez que l'autocollant puisse être déplacé sur son support en papier.
5. Mettre l'autocollant en position sur le modèle face sur le dessus et faire glisser le support pour l'enlever.
6. Appuyer avec un chiffon doux humide pour éliminer les bulles d'air.
7. La substance laiteuse qui peut apparaître est destinée à améliorer l'adhésion de l'autocollant et devient incolore au séchage. Essuyer pour enlever tout excédent d'adhésif.
8. Ne pas toucher l'autocollant tant qu'il n'est pas bien sec.
9. Laisser l'autocollant sécher pendant 48 heures avant d'appliquer une couche transparente.

REMARQUE: Les autocollants sont compatibles avec les solutions de fixation ou les solvants.

This paint guide is provided to complete this kit as shown on the box.

Ce guide de peinture est fourni pour reproduire le modèle réduit qui apparaît sur la boîte.

FLAT BLACK	NOIR MAT
SATIN WHITE	BLANC
INSIGNIA RED FS 11136	ROUGE
ALUMINUM	ALUMINIUM
GUNMETAL	METALLIC
SILVER	ARGENT
FLAT WHITE	BLANC
SATIN BLACK	NOIR
LIGHT GRAY FS 36440	GRIS CLAIR

If you have any questions or comments, call our hotline at: **(800) 833-3570**
or, please write to:

Revell-Monogram Consumer Service Department, 725 Landwehr Road, Northbrook, Illinois 60062

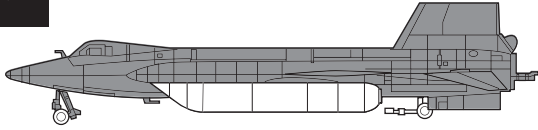
Be sure to include the plan number (85524700200), part number, description, your return address and phone number.

Visit our website: www.revell.com

1

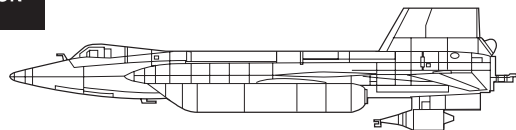
FUSELAGE BOTTOM ASSEMBLY

VERSION
A



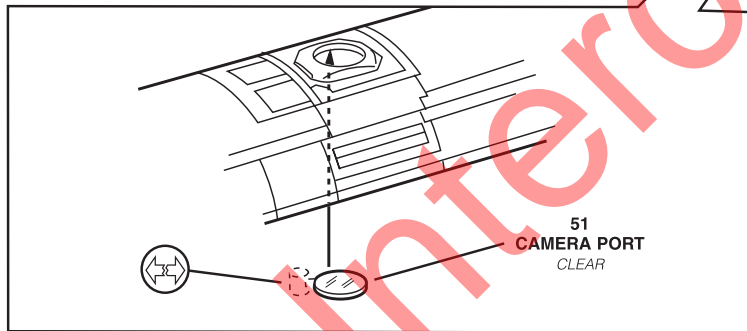
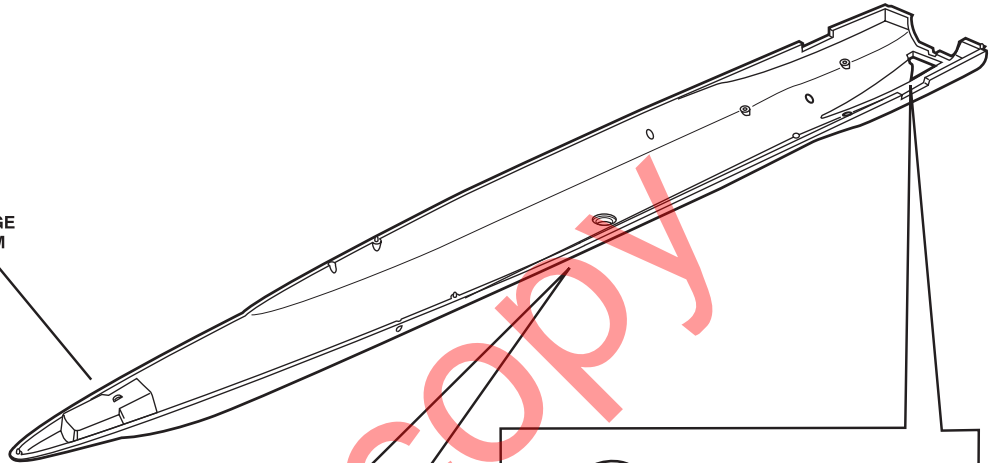
PAINTING NOTE: ENTIRE AIRCRAFT BLACK, EXCEPT TANKS

VERSION
B

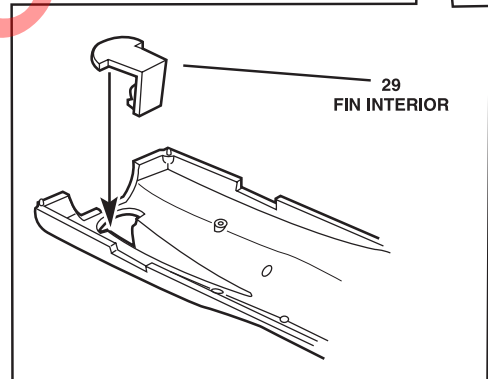


PAINTING NOTE: ENTIRE AIRCRAFT WHITE, EXCEPT TANKS

2
FUSELAGE
BOTTOM



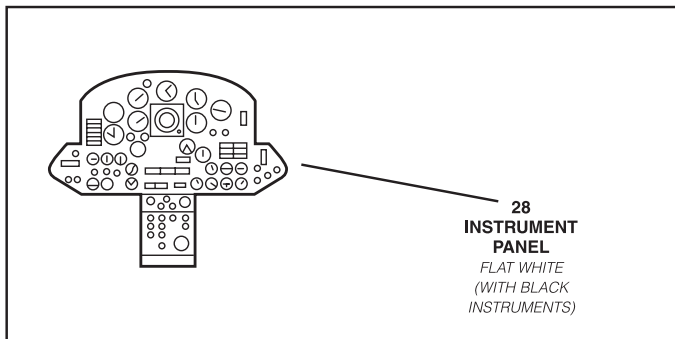
51
CAMERA PORT
CLEAR



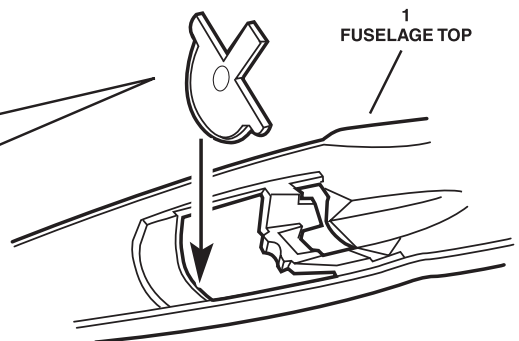
29
FIN INTERIOR

2

INSTRUMENT ASSEMBLY



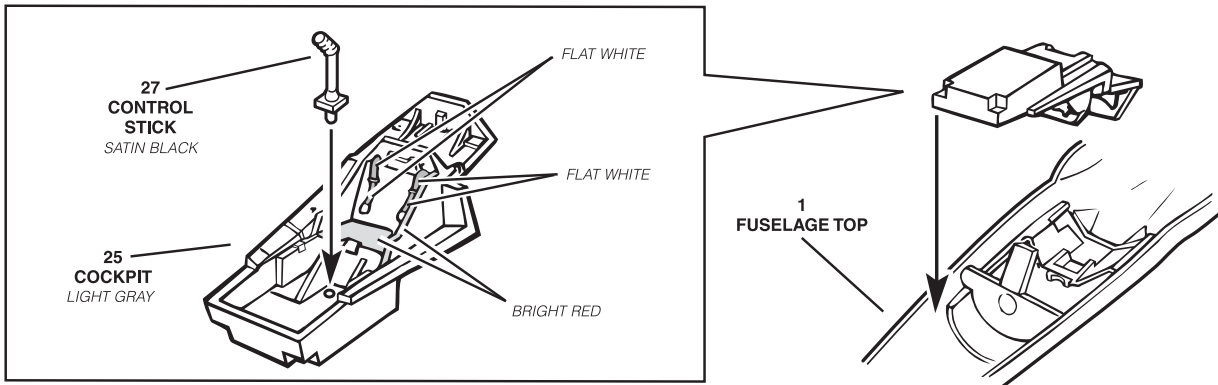
28
INSTRUMENT
PANEL
FLAT WHITE
(WITH BLACK
INSTRUMENTS)



1
FUSELAGE TOP

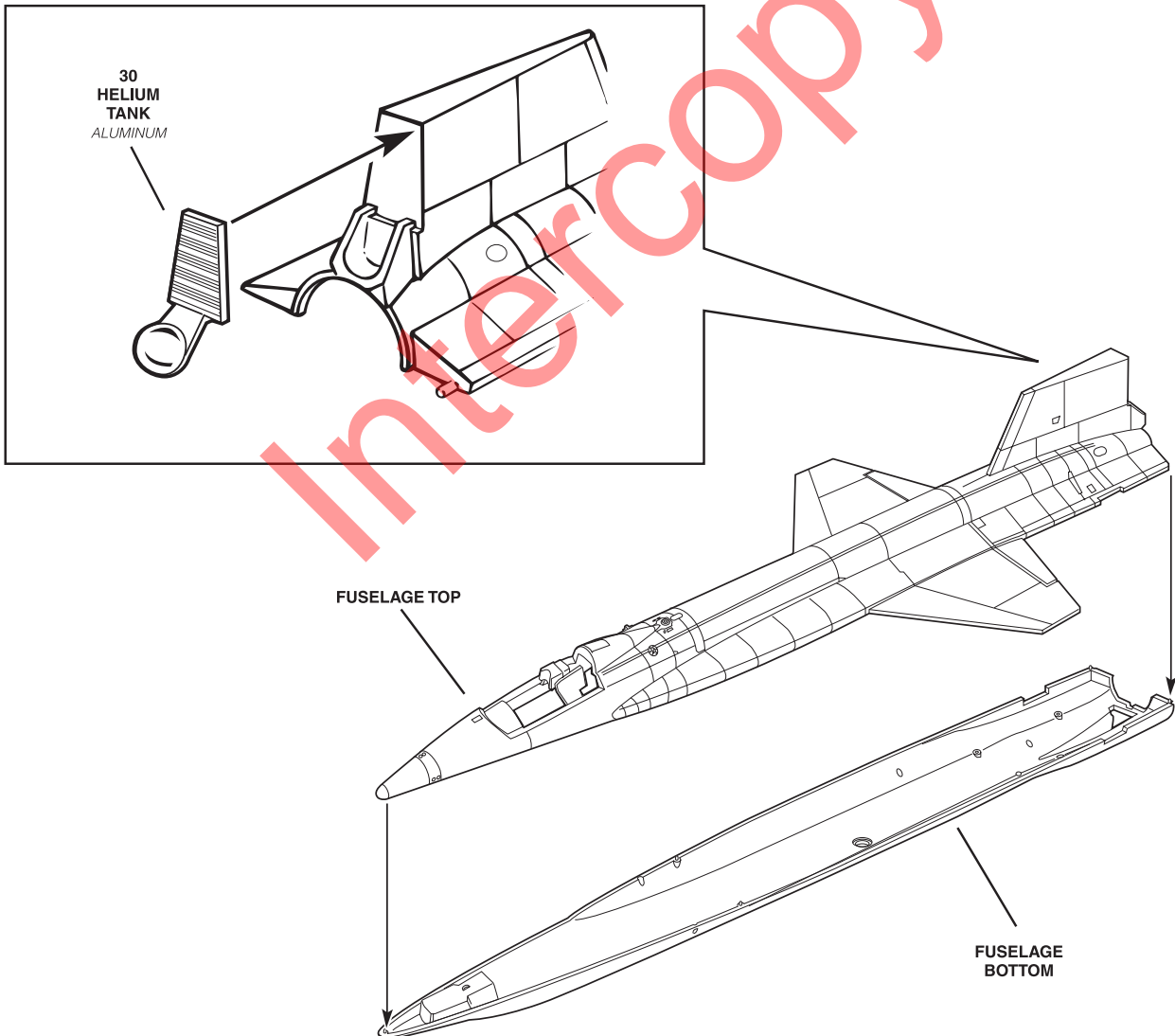
3

COCKPIT ASSEMBLY



4

TANK / FUSELAGE ASSEMBLY

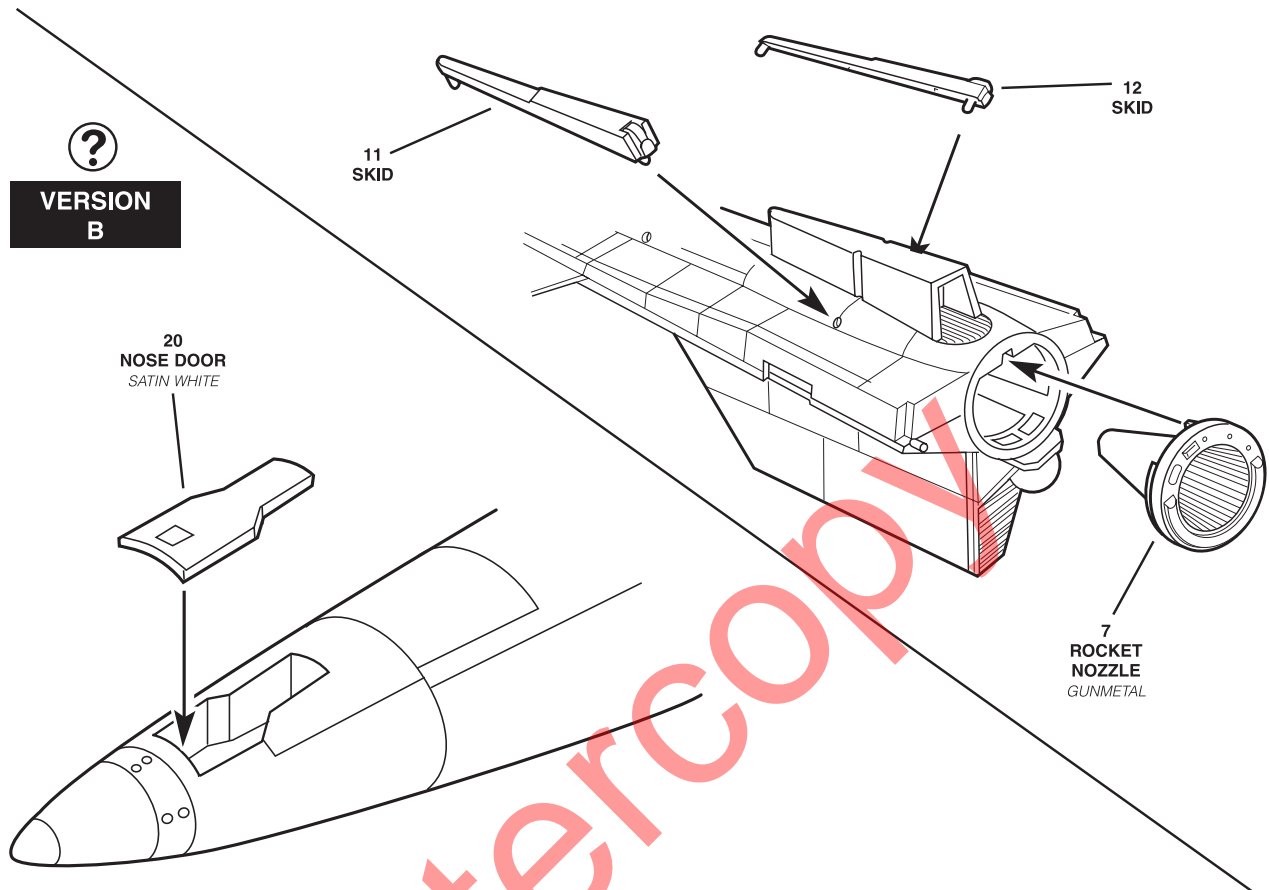


5

SKID / NOSE DOOR ASSEMBLY



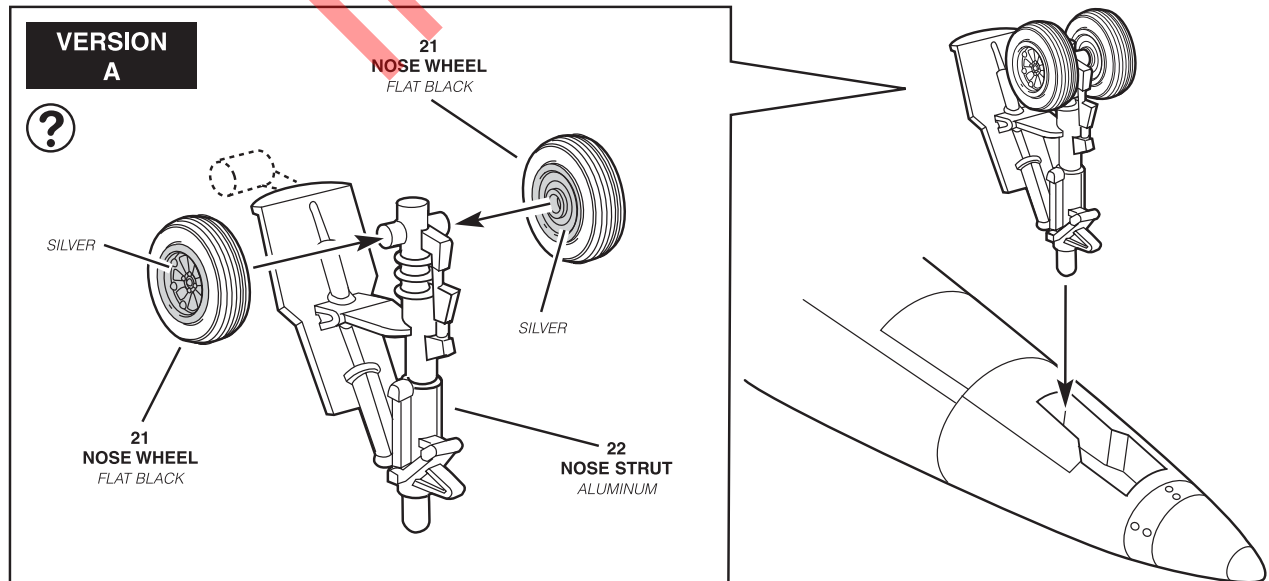
VERSION B



6

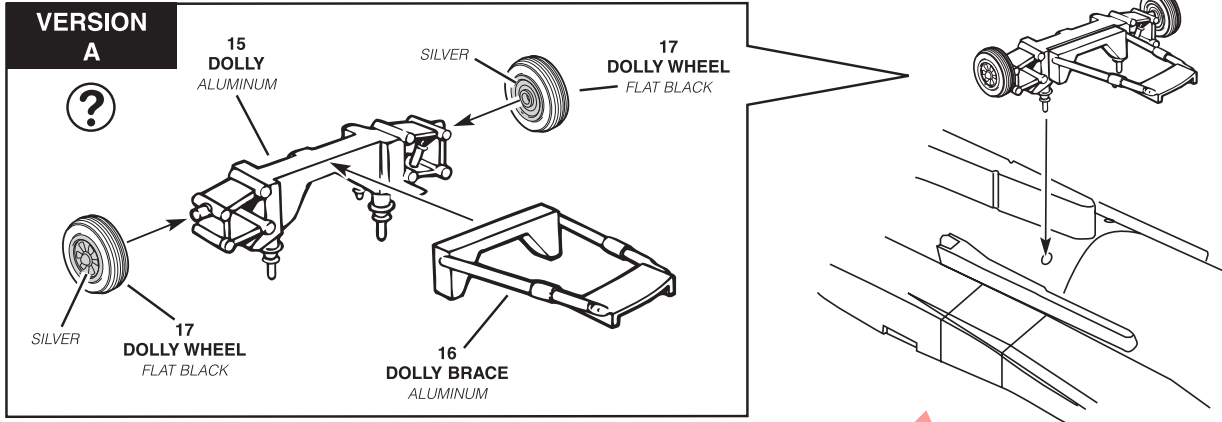
NOSE WHEEL ASSEMBLY

VERSION A



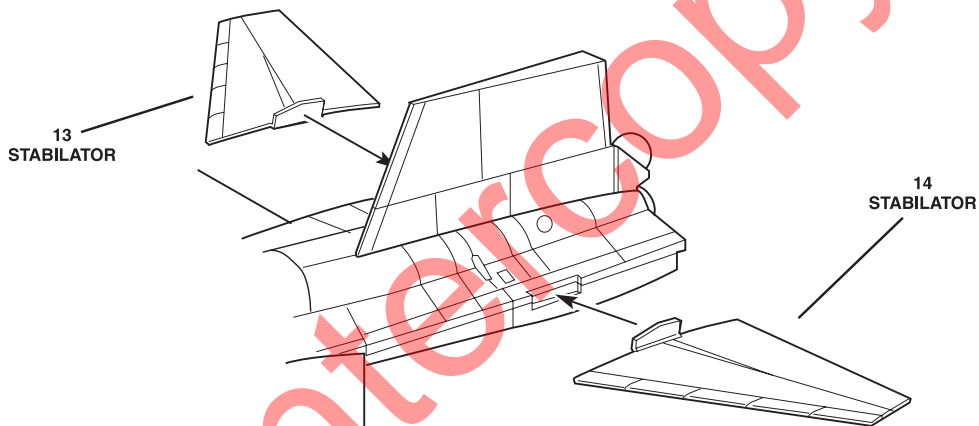
7

DOLLY WHEEL ASSEMBLY



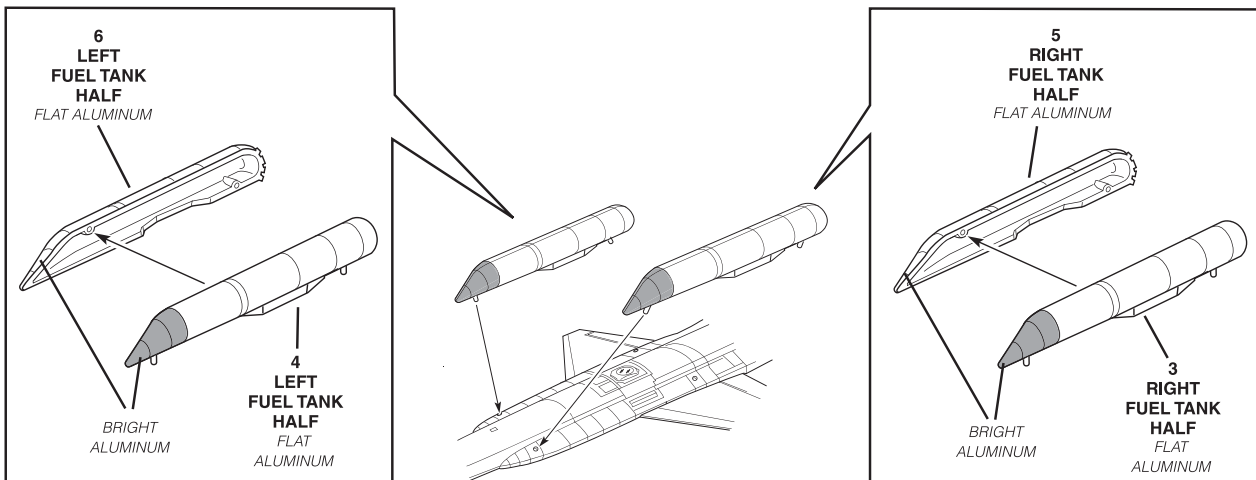
8

STABILATOR ASSEMBLY



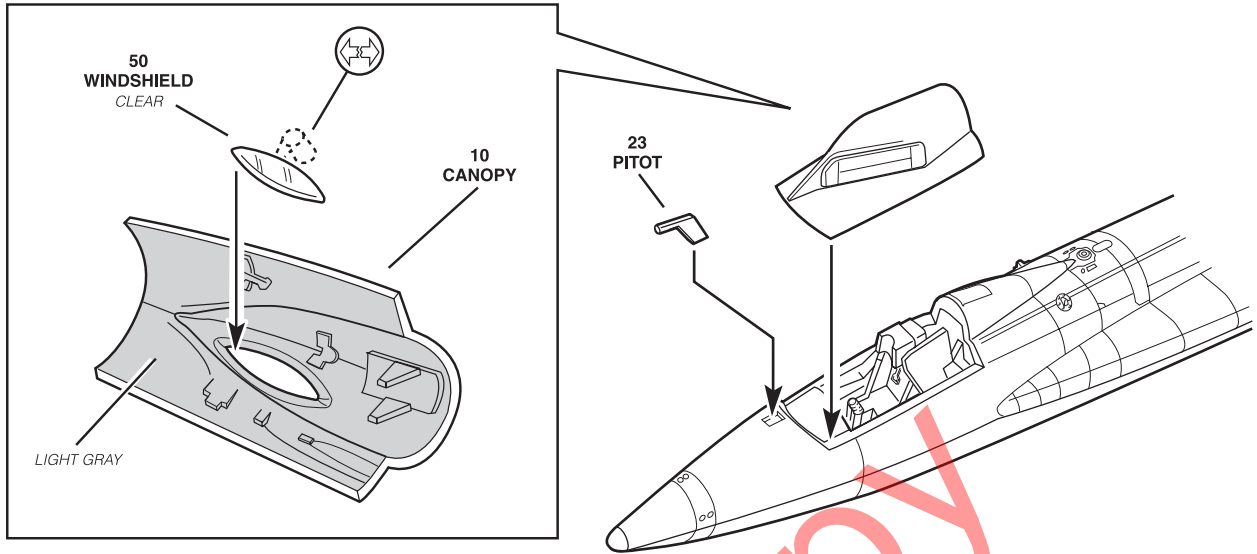
9

FUEL TANK ASSEMBLY



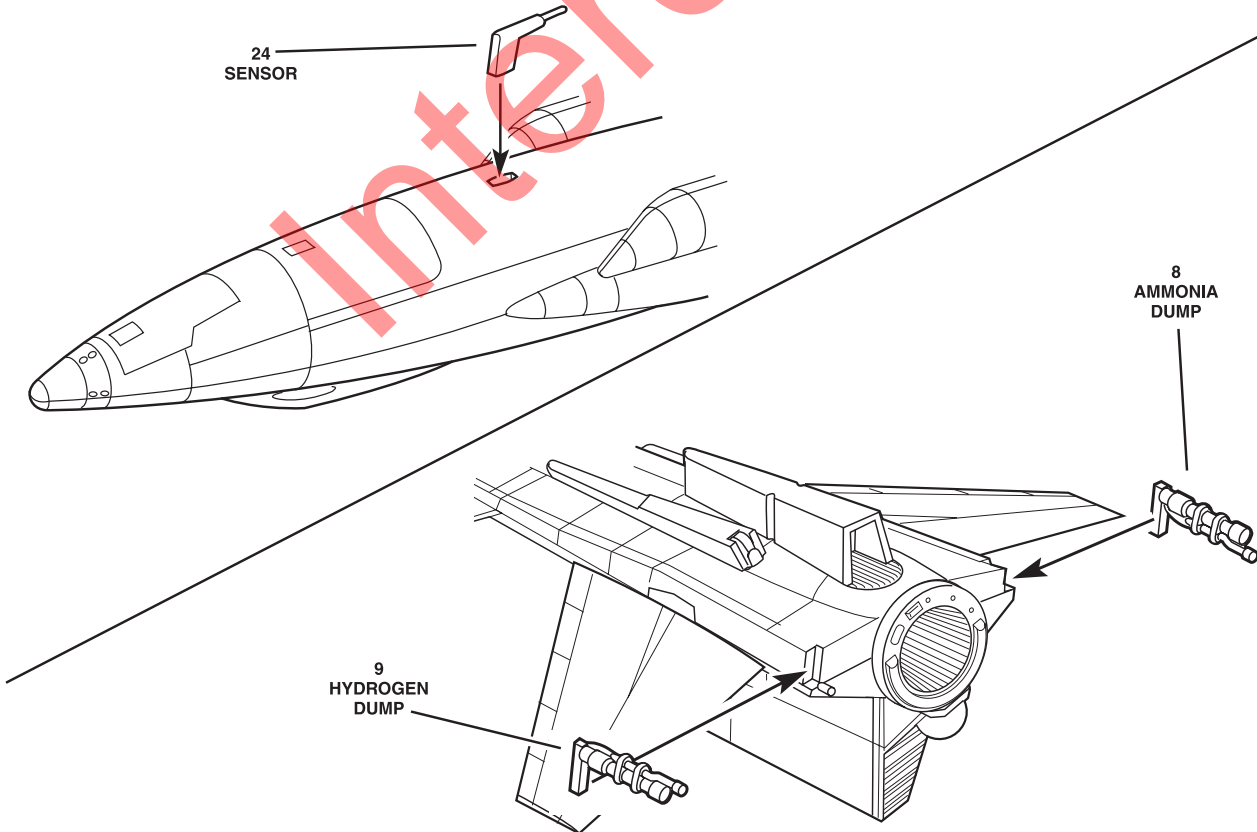
10

CANOPY / PITOT ASSEMBLY



11

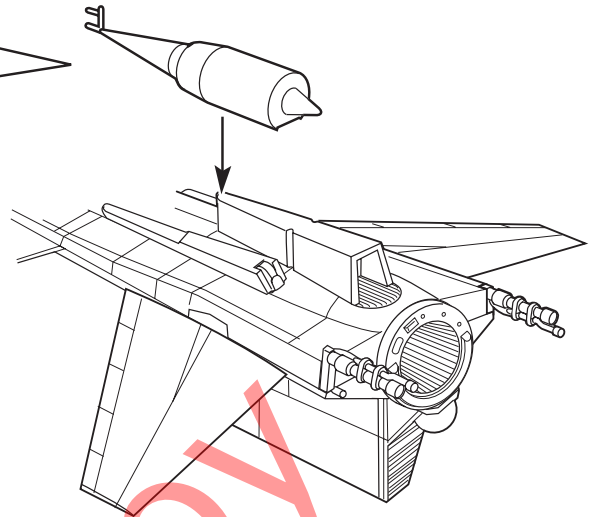
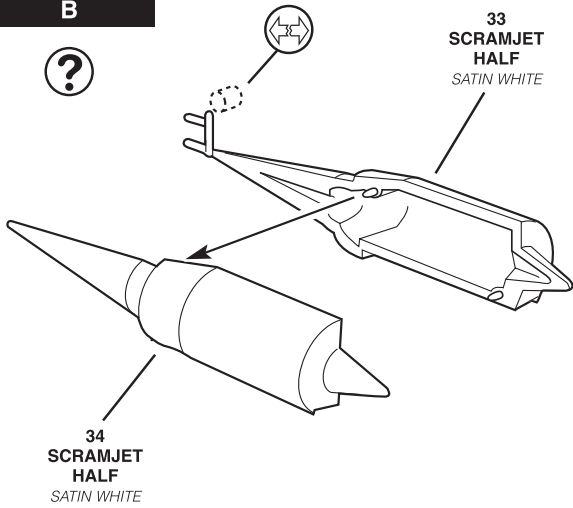
SENSOR / DUMP ASSEMBLY



12

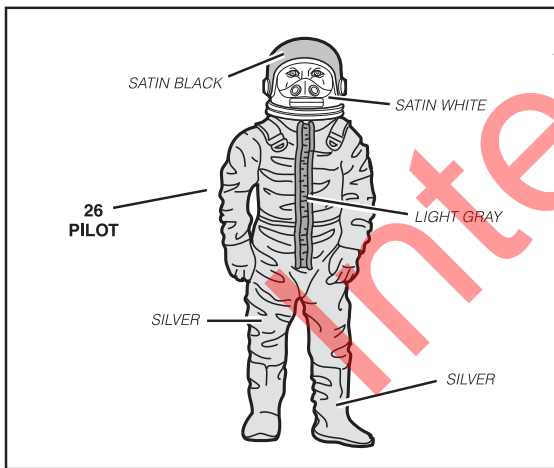
SCRAMJET ASSEMBLY

VERSION
B

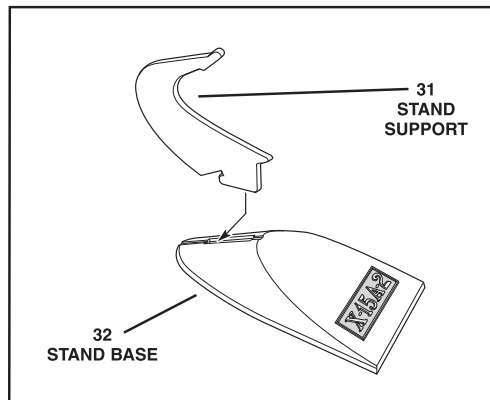
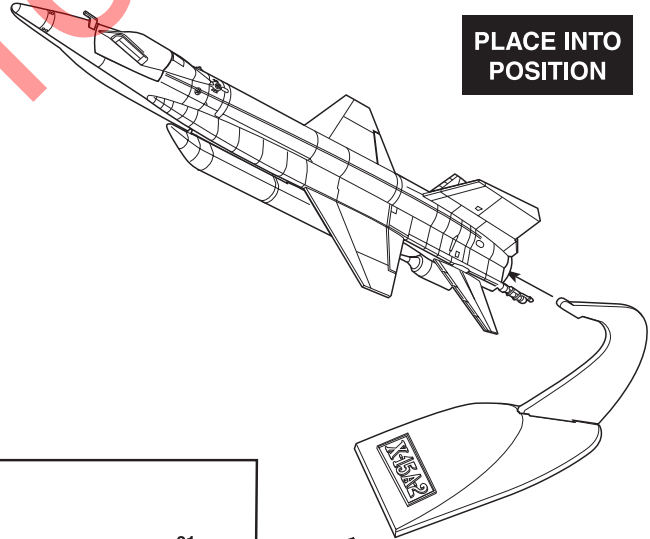


13

FINAL ASSEMBLY

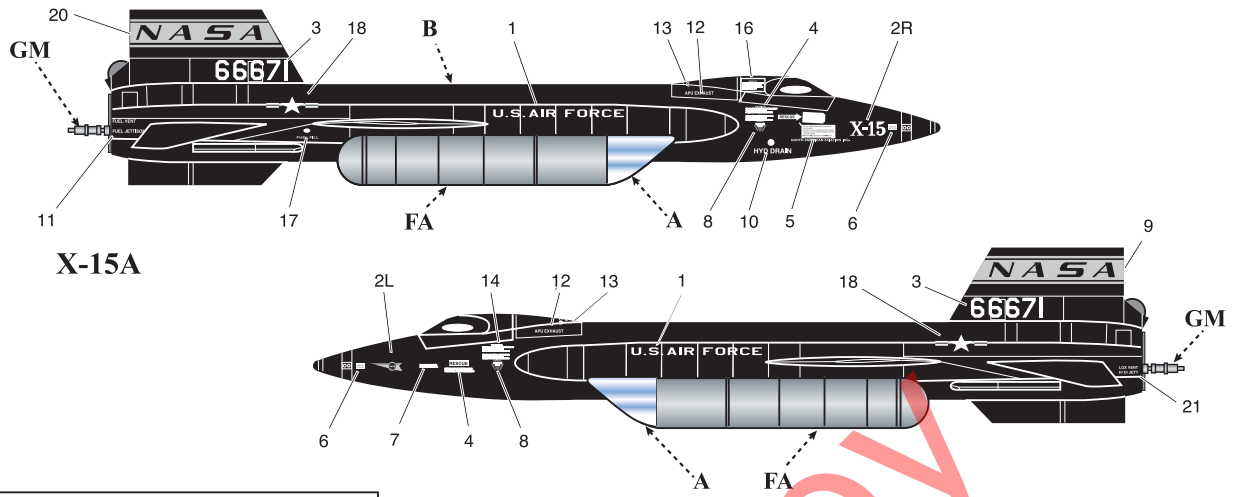


PLACE INTO
POSITION



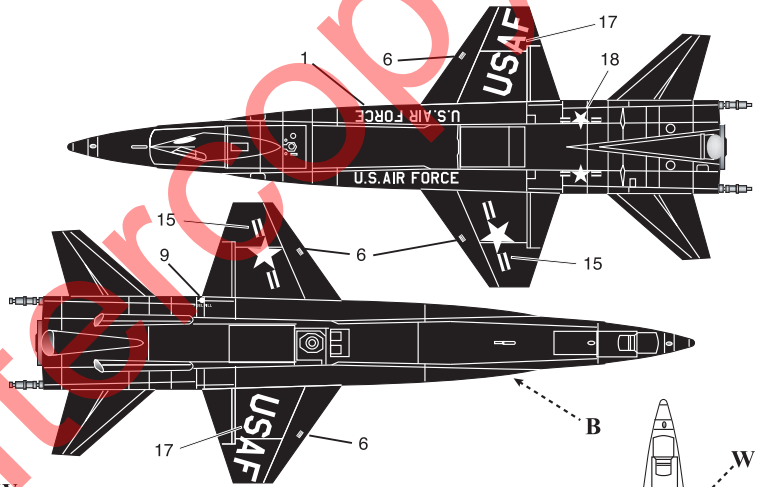
DECAL PLACEMENT

NORTH AMERICAN X-15A/B



X-15A

PAINT COLORS	
B	FLAT BLACK
W	FLAT WHITE
R	INSIGNIA RED FS 11136
A	ALUMINUM
GM	GUN METAL
FA	FLAT ALUMINUM
LG	LIGHT GRAY FS 36440



X-15B

