

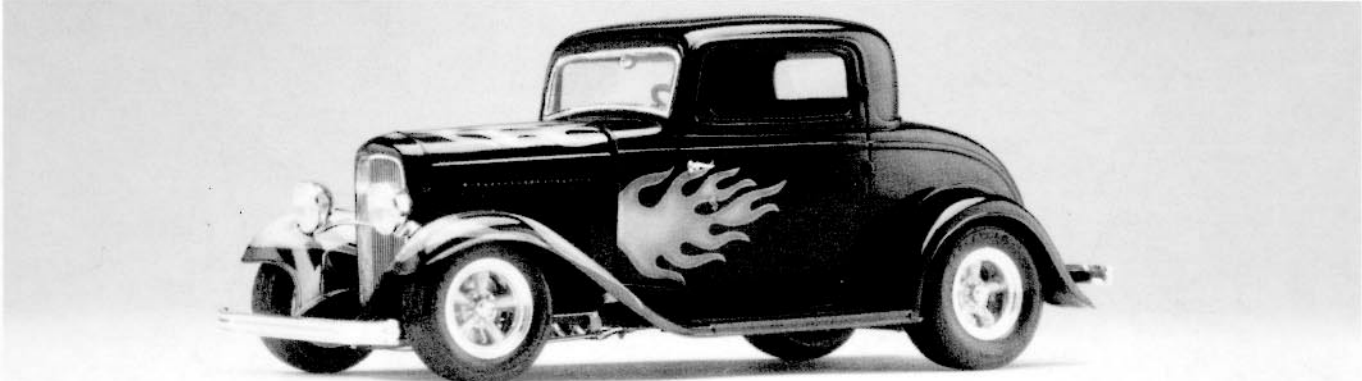
'32 FORD 3-WINDOW COUPE

KIT 7605

1/25 SCALE

ESCALA 1/25

1/25 ECHELLE



85760510200

No other car says Street Rod more than the '32 Ford. Available in a number of body styles, one of the most popular is the 3 window coupe. The small, sporty body style was originally designed for businessmen as an inexpensive, reliable way to move around while selling their goods. Those same inexpensive coupes are now being turned into modern pieces of rolling art. The only factor in determining the look of the finished rod is imagination.

Today's rods feature classic bodies sitting on modern frames, with up-to-date components. Gone are the original buggy springs and friction brakes, in their place you'll find state of the art coil over shocks and disk brakes. The narrow wheels and tires of the

30's have given way to up-to-date tires mounted on aluminum wheels, giving the car a nose in the weeds stance.

While some rodders continue to use original flathead V-8's, most prefer to replace them with newer versions for more performance and better over the road reliability. The old 3 speed crash box transmissions are replaced with overdrive automatics, and everything is dressed up with billet or chrome trim.

The interiors are something that the car's original designers couldn't have even imagined! Sculptured interiors covered with leather or other fabrics in a rainbow of colors have replaced the old cardboard and mohair of the original.

READ THIS BEFORE YOU BEGIN

- Study the assembly drawings.
- Each plastic part is identified by a number.
- In the assembly drawings, some parts will be marked by a star (*) to indicate plated plastic.
- Scrape plating from areas to be cemented.
- Check the fit of each piece before cementing into place.
- Do not use too much cement to join parts.
- Use only cement for polystyrene plastic.
- Models may be painted to match photos on box.
- Allow paint to dry thoroughly before handling parts.
- Scrape paint from areas to be cemented.
- For better paint and decal adhesion, wash the plastic parts in a mild detergent solution. Rinse and let air dry.

LEA ESTO ANTES DE EMPEZAR

- Estudie los dibujos de ensamblaje.
- Cada pieza de plástico se identificará por un número.
- En los dibujos de ensamblaje, algunos números de las piezas están marcados con una estrella (*) para indicar plástico laminado.
- Raspe el laminado de las superficies que serán pegadas.
- Verifique que cada pieza encaje bien antes de posición.
- No use demasiado pegamento para unir las piezas.
- Use únicamente pegamento para plástico de poliestireno.
- El modelo puede pintarse de acuerdo con las fotografías de la caja.
- Permita que se seque la pintura completamente antes de tocar las piezas.
- Raspe la pintura de las superficies que serán pegadas.
- Para una mejor fijación de la pintura y de las calcomanías lávese las piezas plásticas en una solución de detergente suave. Enjuague y dejense secar al aire.

LISEZ CE QUI SUIT AVANT DE COMMENCER LE MONTAGE

- Etudier les schémas d'assemblage.
- Chaque pièce plastique porte un numéro d'identification.
- Sur les schémas d'assemblage les pièces dont le numéro comporte une astérisque (*) sont en plastique chrome.
- Grattez le chromage sur les surfaces à coller.
- Contrôler que chaque pièce soit bien cintrée avant de la coller à sa place.
- N'utilisez pas trop de colle pour réunir les pièces.
- Utilisez uniquement une colle spéciale pour polystyrène.
- Le modèle peut être peint conformément aux photos surboite.
- Laissez sécher la peinture complètement avant de manipuler les pièces.
- Grattez la peinture sur les surfaces devant être collées.
- Pour assurer la meilleure adhésion possible de la peinture des décalcomanies, lavez les pièces de plastique avec une légère solution savonneuse. Rincez et laissez sécher à l'air.



**DO NOT CEMENT
NO USE PEGAMENTO
NE PAS COLLER**



**OPTIONAL PARTS
PIEZAS OPCIONALES
PIECES EN OPTION**



**REMOVE AND THROW AWAY
QUITE Y TIRE
À RETIRER ET JETER**



**CEMENT TOGETHER
UNIR CON PEGAMENTO
A COLLER**



**REPEAT SEVERAL TIMES
REPITA VARIAS VECES
A RÉPÉTER PLUSIEURS**



**DECAL (DIP IN WATER)
DECALCOMANIA (MOJE CON AGUA)
DECALCOMANIE (À PLONGER DANS L'EAU)**

Visit our website: www.revell-monogram.com

TO COMPLETE THIS KIT AS SHOWN, WE RECOMMEND THE FOLLOWING PROMODELER PAINTS.

STEEL 88-0015	METALICO	MATALLIC
GOLD 88-0012	DORADO	DORE
ALUMINUM 88-0014	ALUMINIO	ALUMINIUM
DESERT TAN 88-0025	CANELA	BRUN CLAIR
GLOSS BLACK 88-0001	NEGRO BRILLANTE	NOIR LUSTRE
FLAT BLACK 88-0022	NEGRO APAGADO	NOIR TERNE
SATIN BLACK 88-0016	NEGRO MATE	NOIR MAT

Every effort has been made to create and manufacture a model kit that is the finest available. If a part may be missing, please write to:

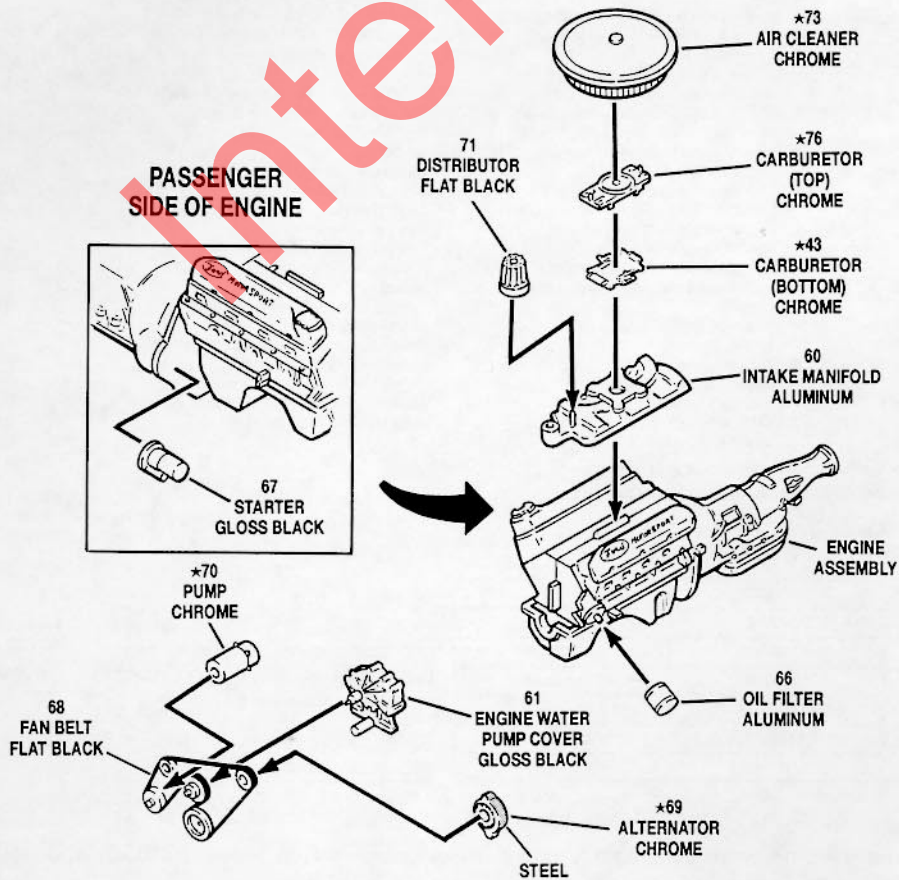
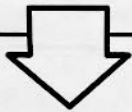
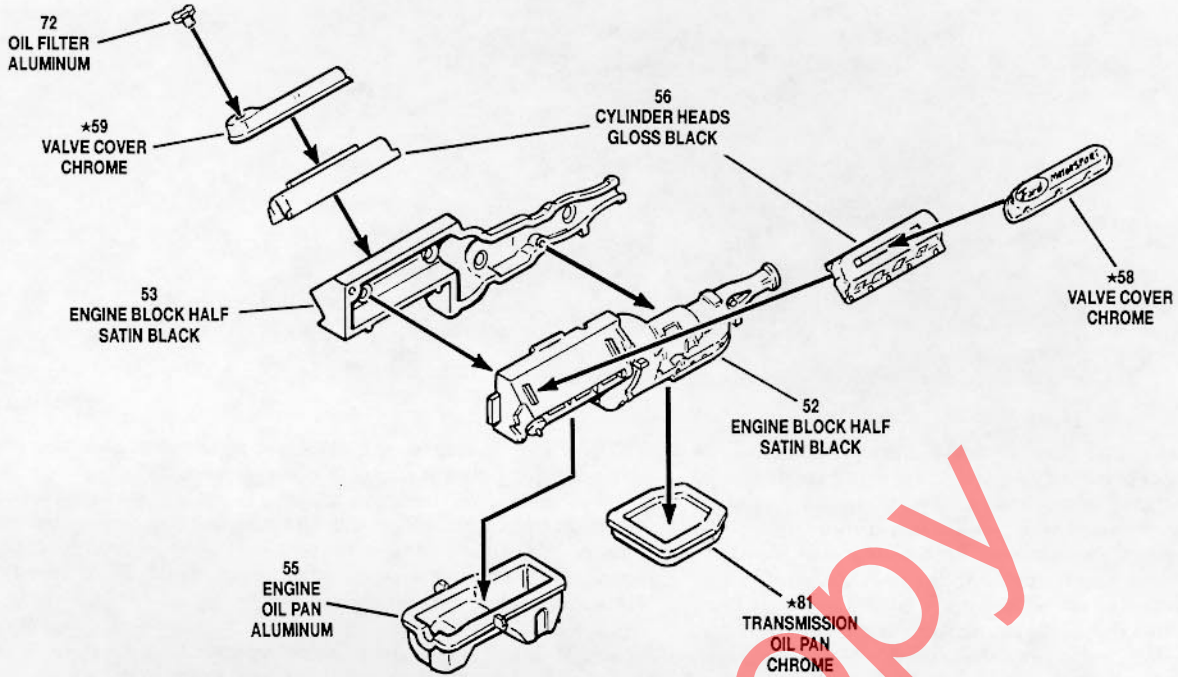
Revell-Monogram, Inc.
Consumer Service Department
8601 Waukegan Road
Morton Grove, Illinois 60053

Be sure to include the kit number, part number, description, and your return address.

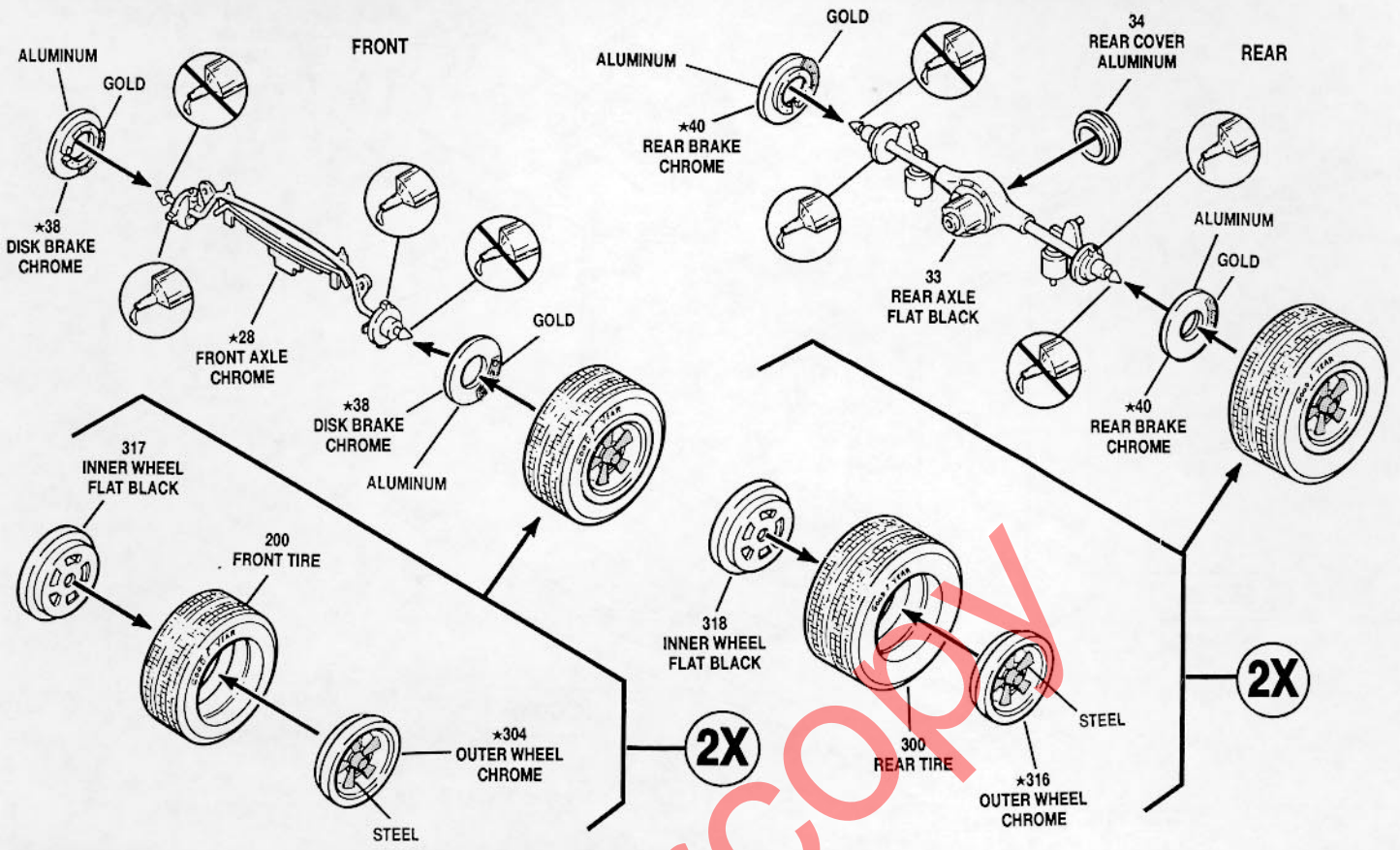
If you have any problems building this model, call our modeling tips hotline at: (800) 833-3570

REVELL-MONOGRAM, INC. Morton Grove, IL. Copyright © 1998. All rights reserved. Made in U.S.A.

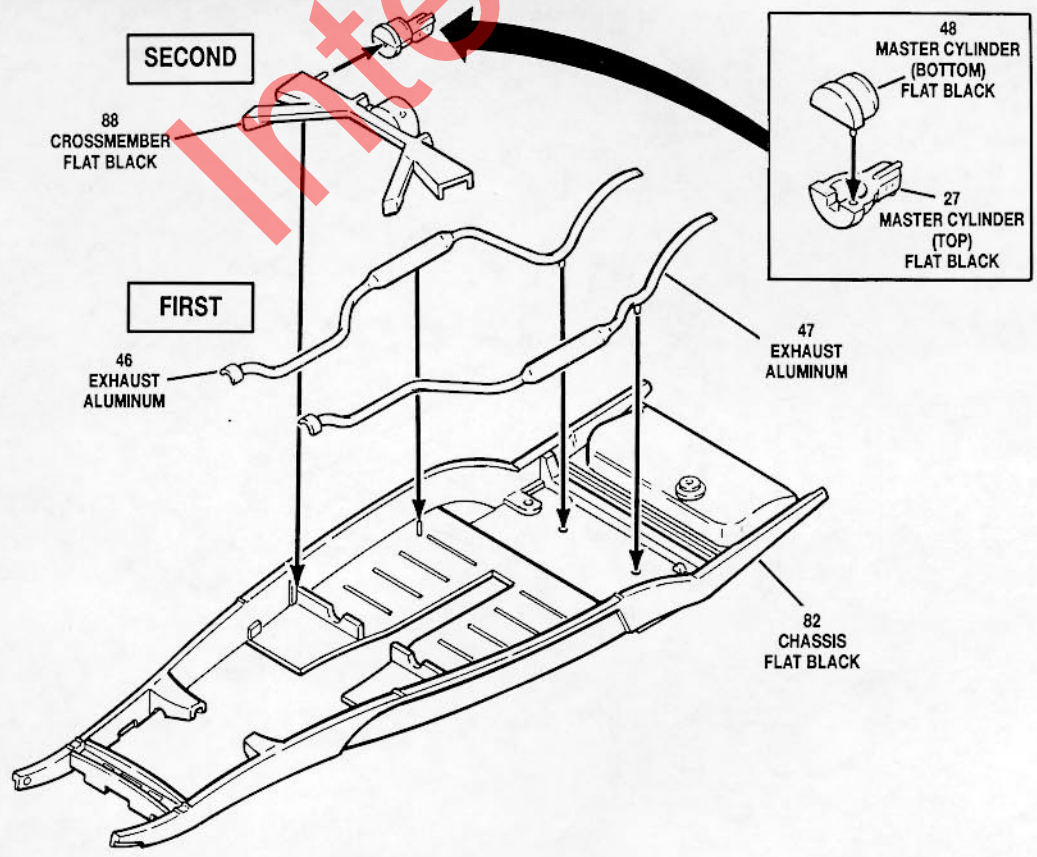
1 ENGINE ASSEMBLY



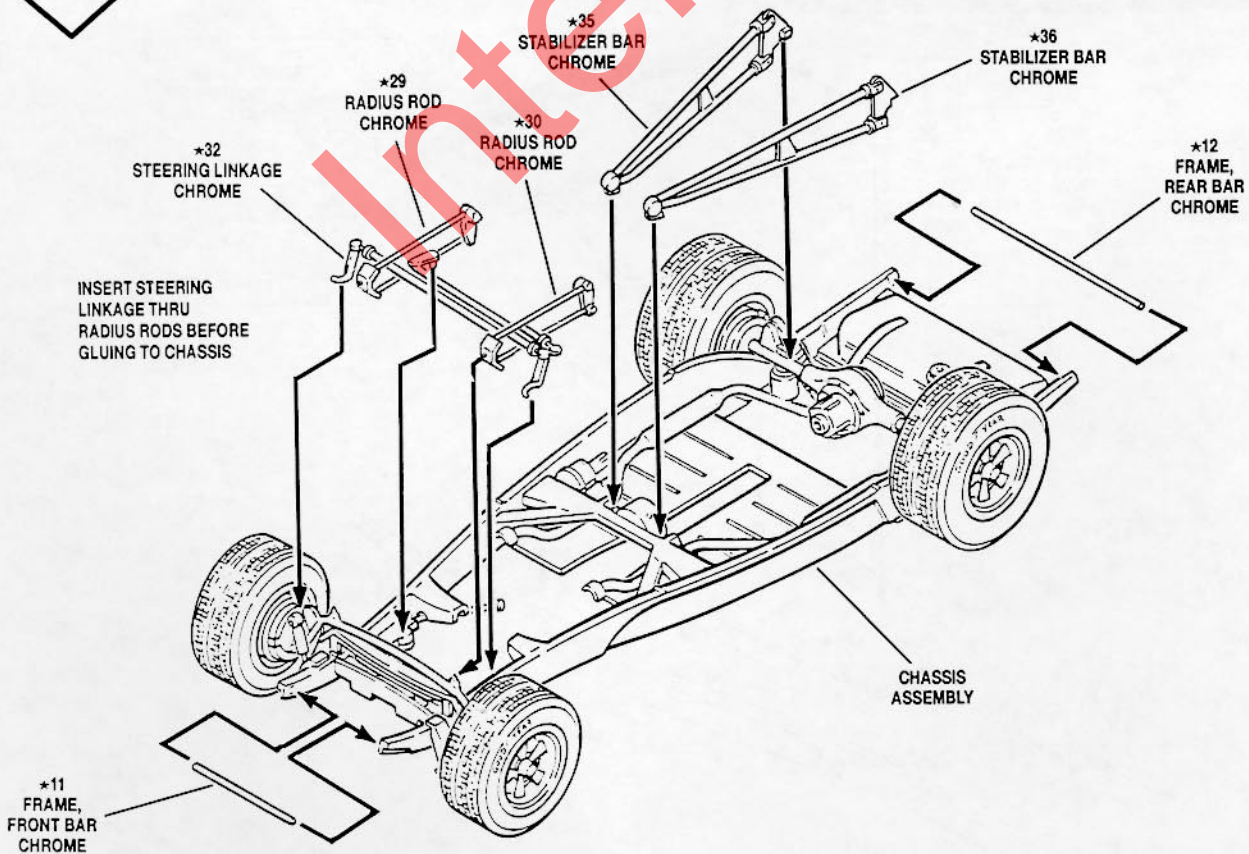
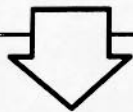
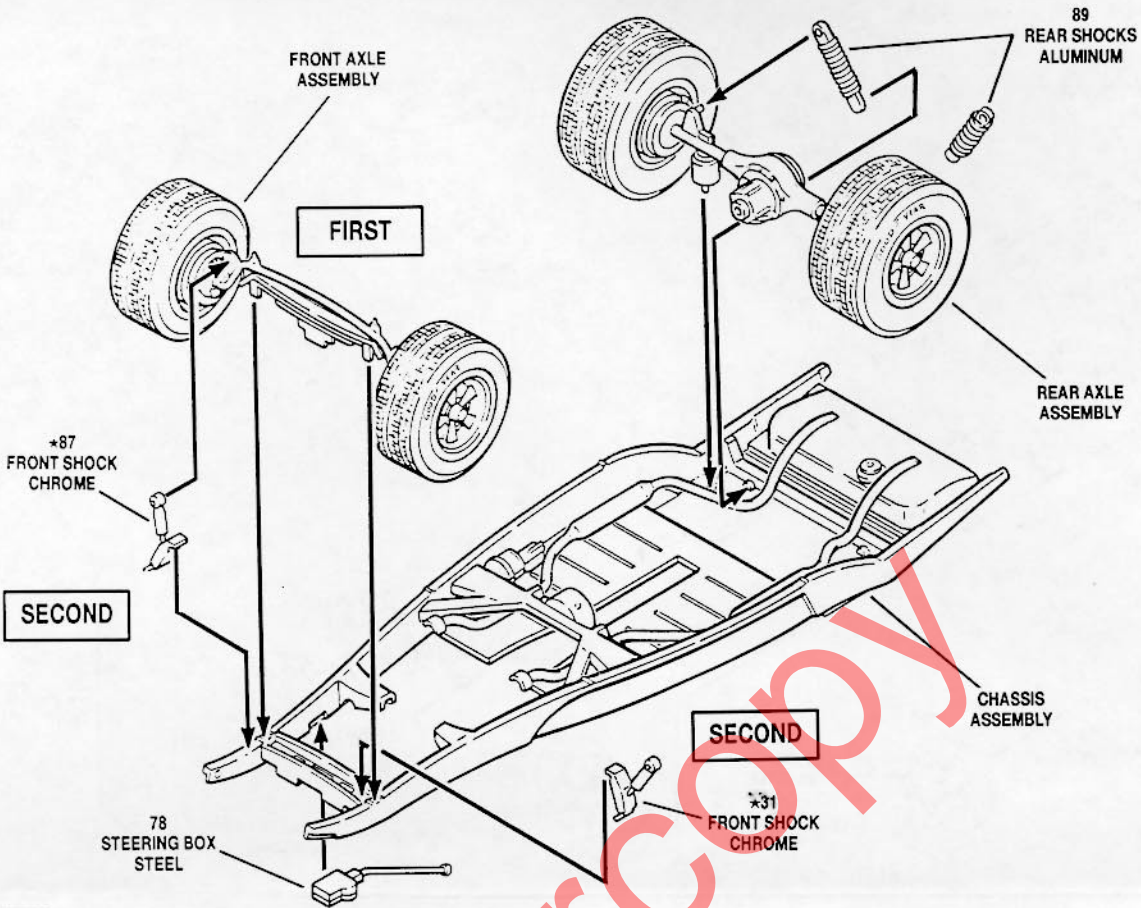
2 FRONT AND REAR AXLE ASSEMBLY



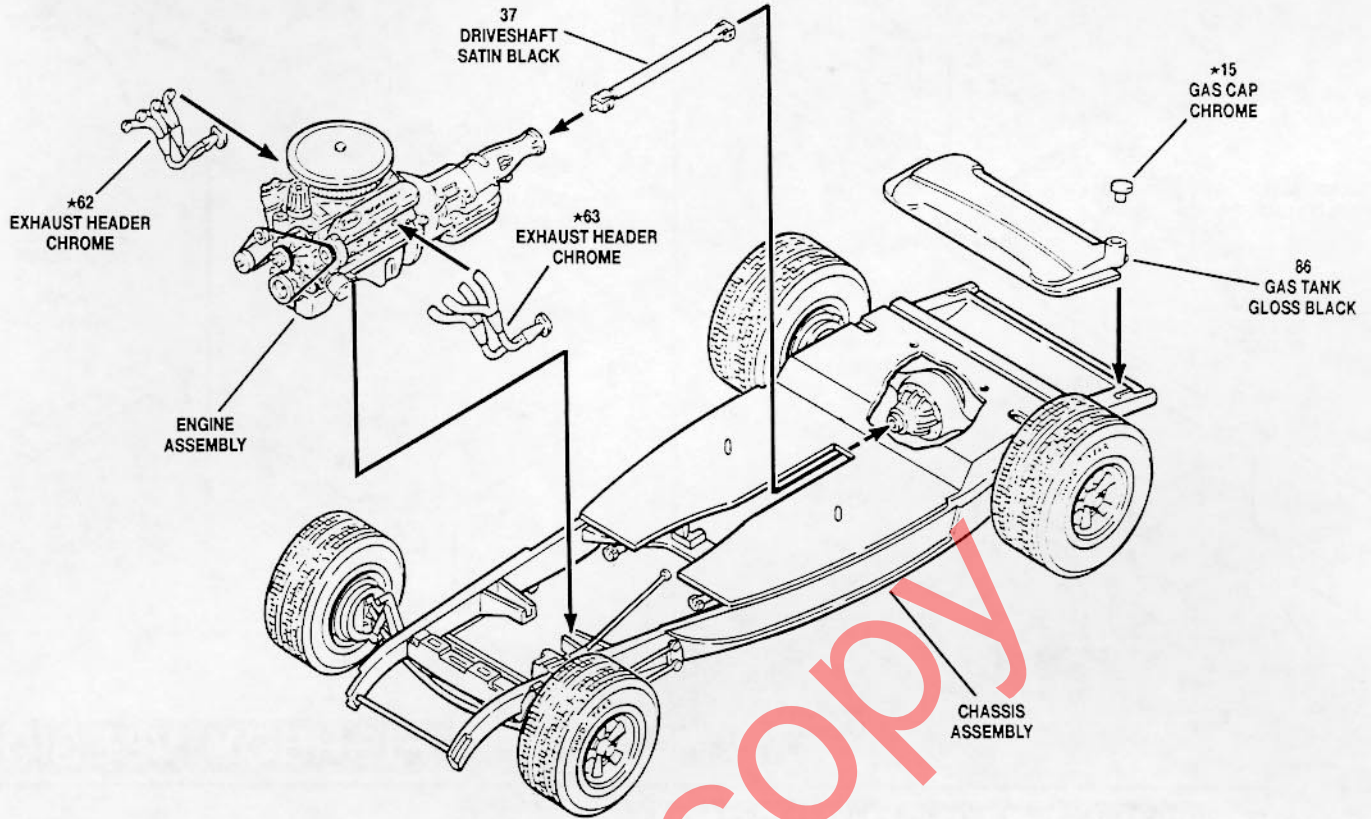
3 CHASSIS ASSEMBLY



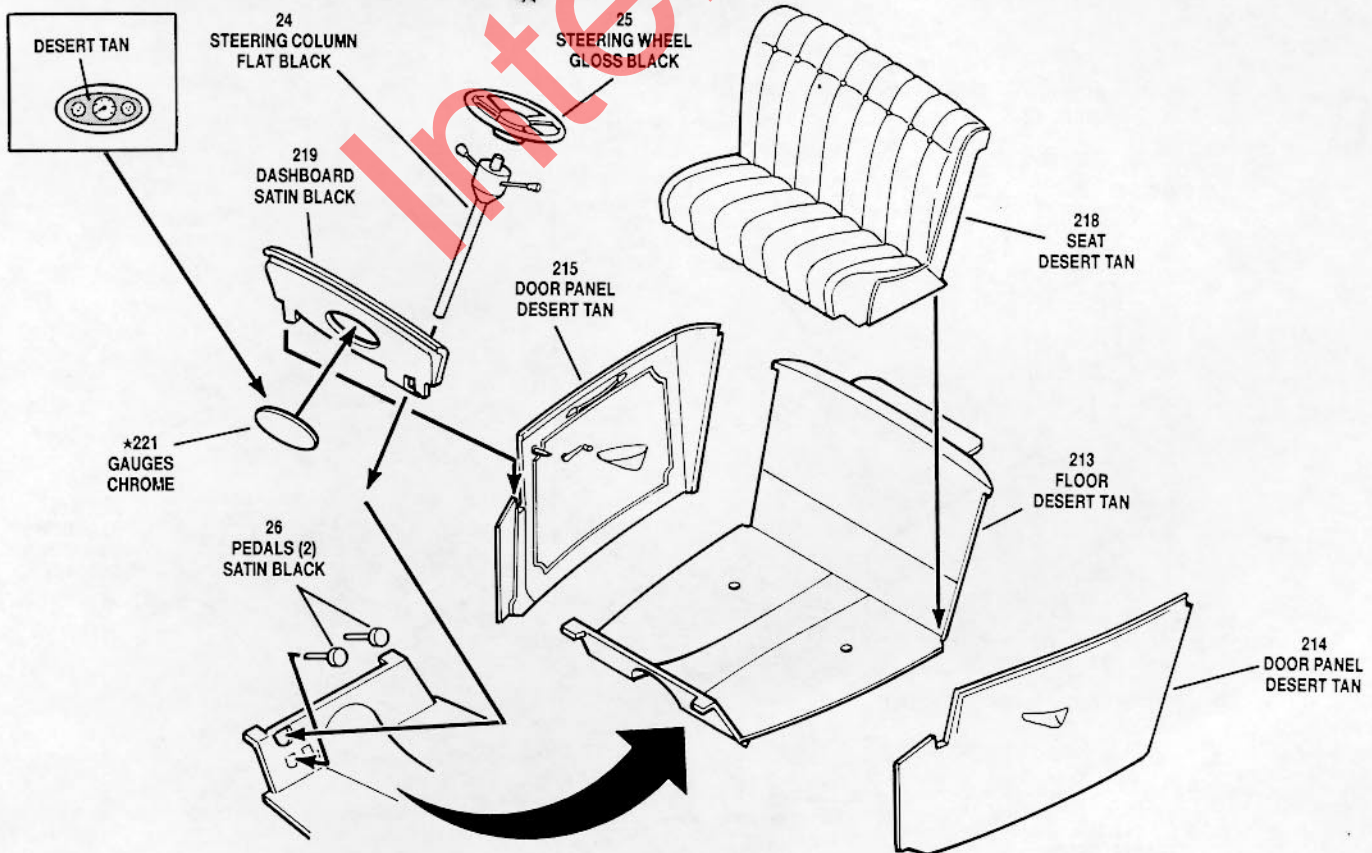
4 CHASSIS ASSEMBLY CONTINUED



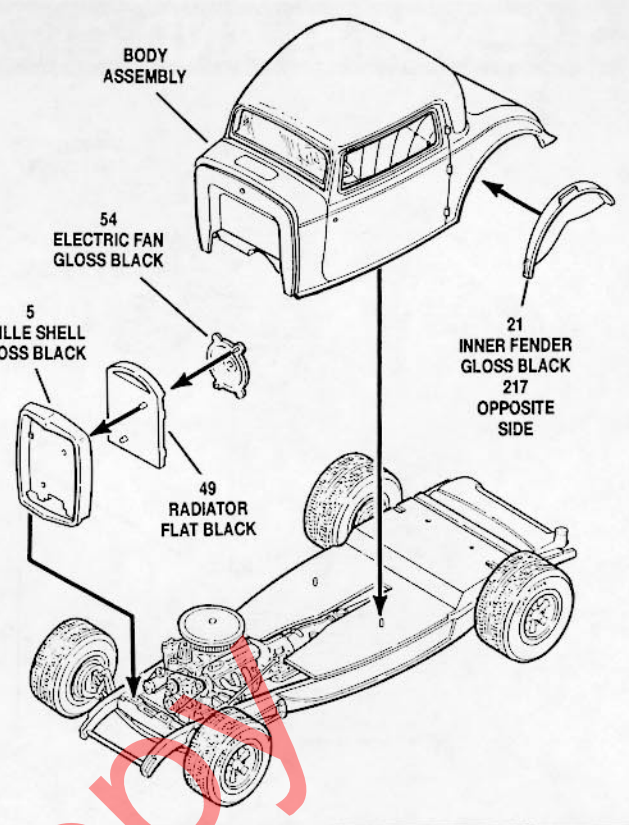
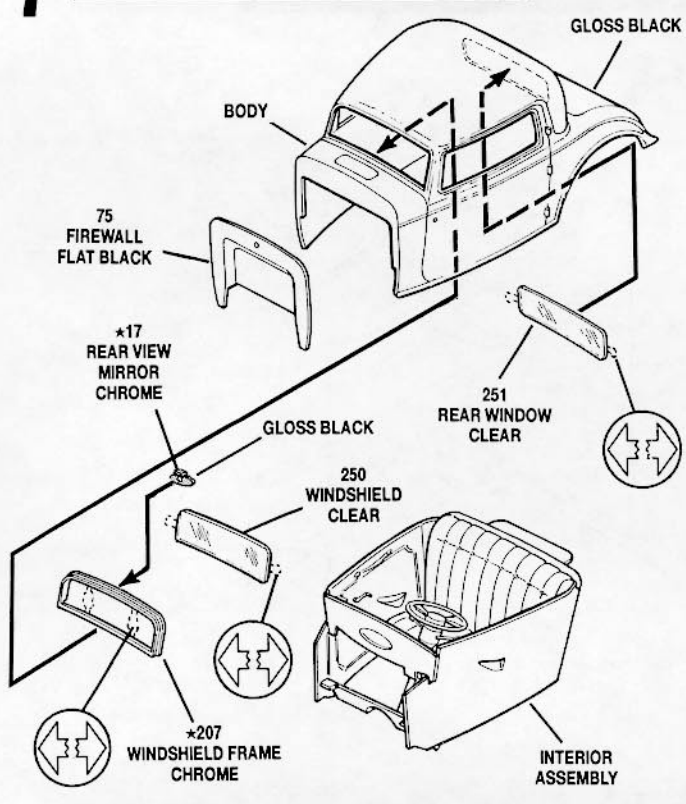
5 ENGINE AND CHASSIS ASSEMBLY



6 INTERIOR ASSEMBLY

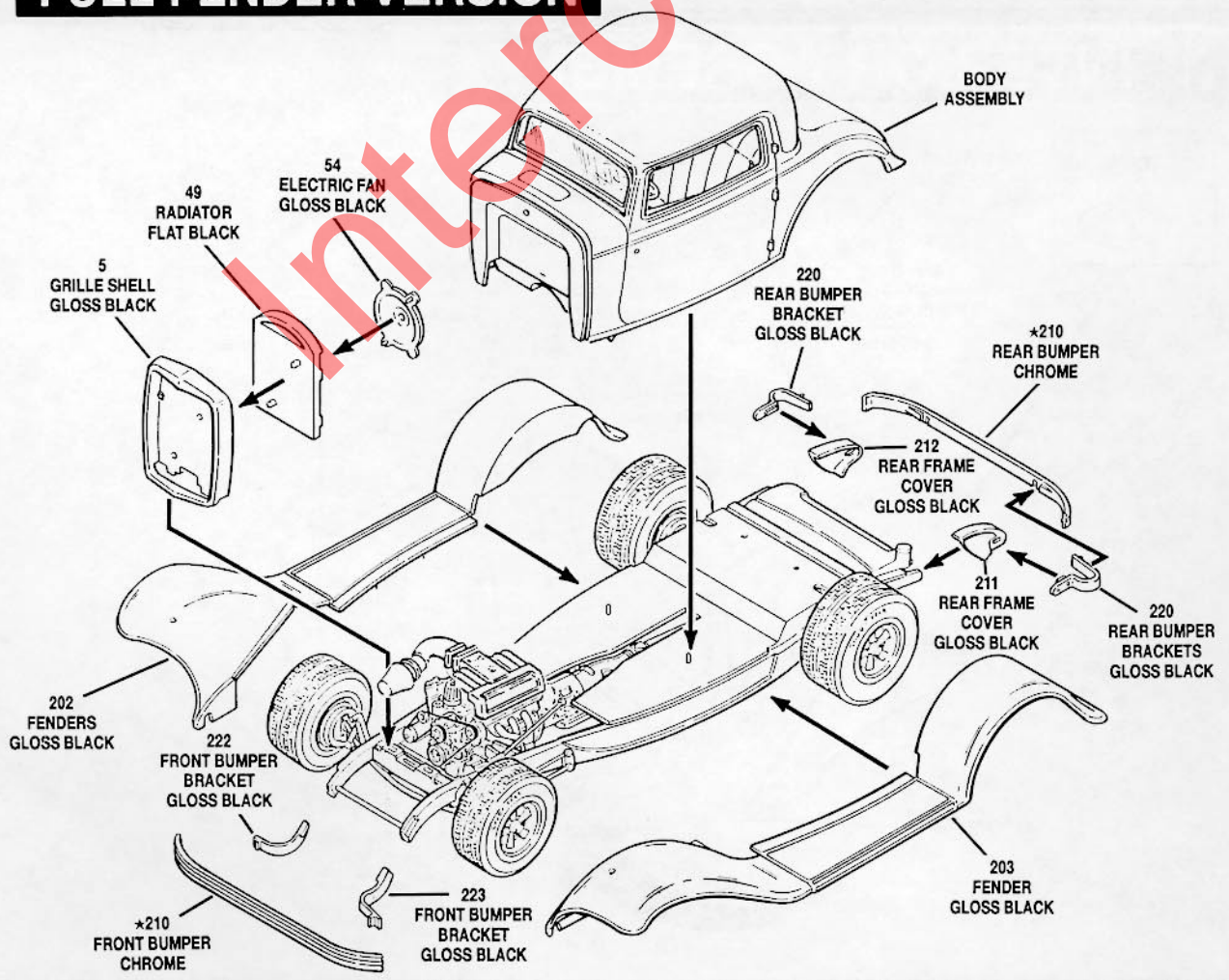


7 BODY ASSEMBLY

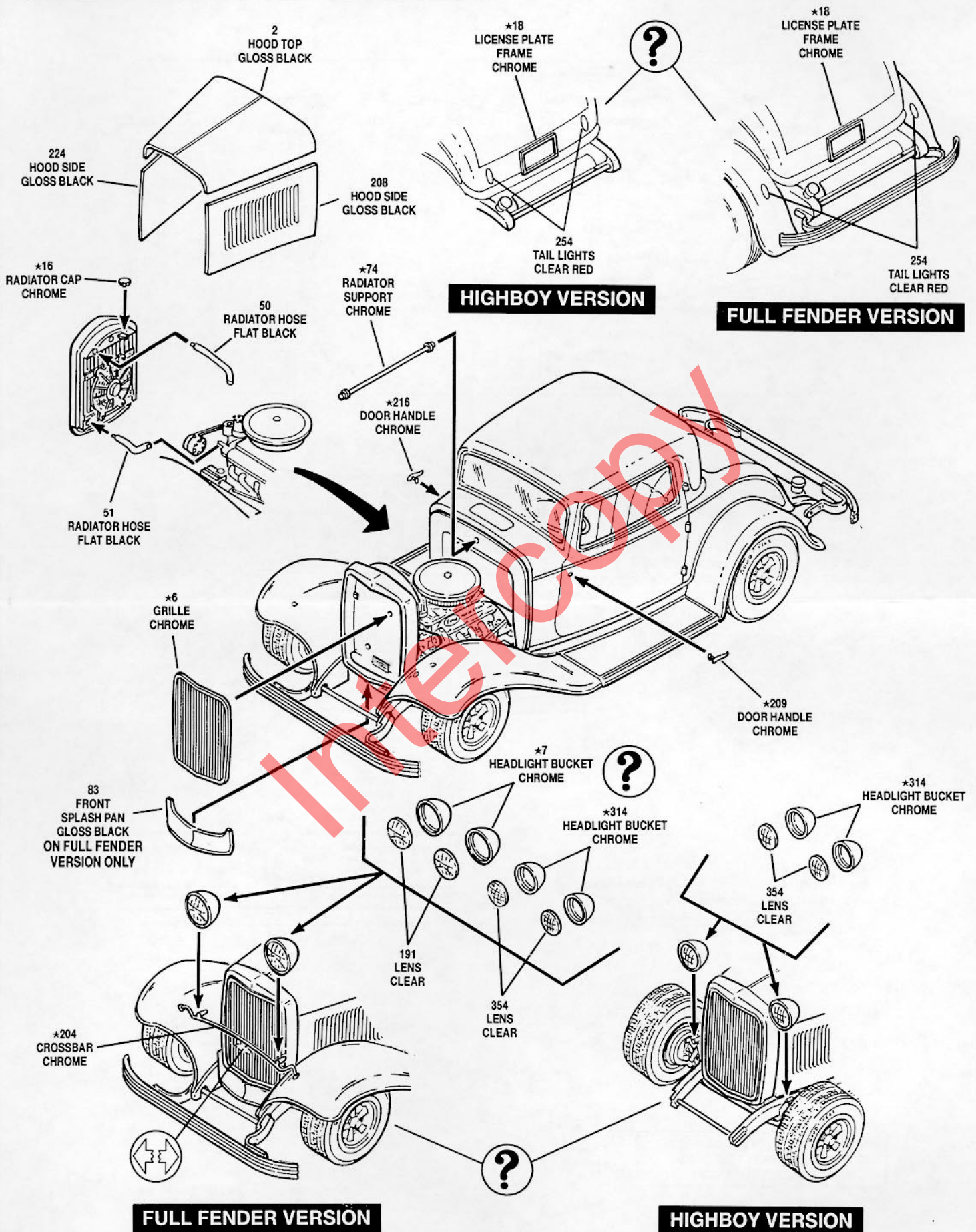


HIGHBOY VERSION

FULL FENDER VERSION

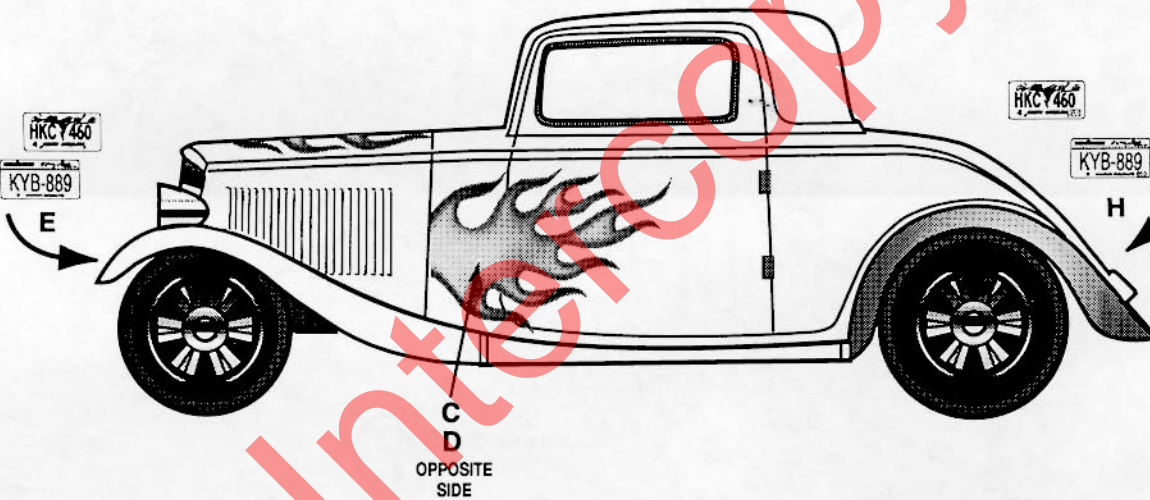
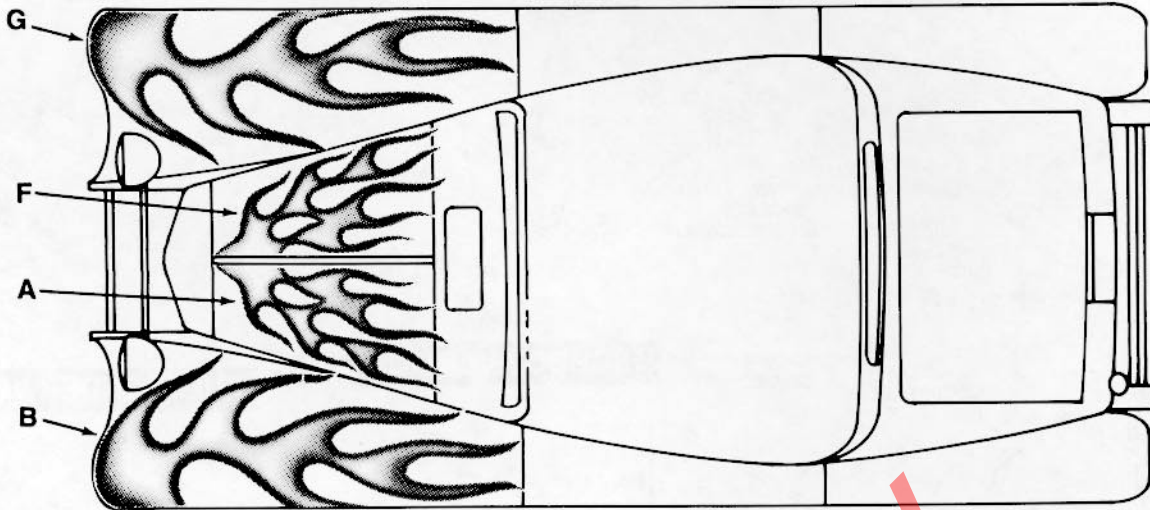


8 FINAL ASSEMBLY





DECAL PLACEMENT



Revell-Monogram wishes to thank Pete and Jakes Hot Rod Parts, and Mr. Rich Hart of Glendale, CA for their valuable assistance on this project.



- REMAINING PARTS MAY BE DISCARDED.
- SE DÉFAIRE DES PIÈCES RESTANTES.
- LAS PIEZAS QUE SOBREN PUEDEN DESCARTARSE.

DECAL APPLICATION INSTRUCTIONS

1. Wash plastic parts in mild detergent solution. Rinse and let dry.
2. Cut desired decal from sheet.
3. Dip decal in water for a few seconds.
4. Place wet decal on paper towel.
5. Wait until decal is movable on paper backing.
6. Place decal in position on model, face up and slide backing away.
7. Press out air bubbles with a soft damp cloth.
8. Milkyness that may appear is for better decal adhesion and will dry clear. Wipe away any excess adhesive.
9. Do not touch decal until fully dry.

85760510200