



KIT 7676

85767610200

1969 CAMARO CONVERTIBLE

1969 was truly a milestone year for the Chevrolet Camaro. It was the last year of the first generation Camaros before the all-new models debuted in mid-1970, the last year a Camaro convertible was offered until 1987, the second year the Camaro had been honored as an Indy Pace Car, the second year the Donohue-Penske team won the SCCA Trans-Am series title with a Camaro, and the only year of the ultra rare, ultra high-performance ZL-1 and L-72 factory 427 transplants. The Camaro's option list for 1969 was the longest of any Camaro before or since- the '69 Camaro could be had with no less than fourteen different engines, technological enhancements like four-wheel disc brakes and cowl induction hoods were offered for the first time, and a veritable smorgasbord of optional equipment, interior/exterior colors and appearance packages were available. Is there any wonder why 1969 Camaros are so widely celebrated and sought after today?

Your Revell kit depicts a highly desirable 1969 Camaro- an RS/SS396 convertible. The RS option was primarily an appearance package that consisted of special taillights and a unique grille with novel "sport slat" hidden headlights. The fully-detailed 375 horsepower 396 rests beneath a cowl induction hood, and the interior features power windows and a center console with Hurst 4-speed shifter. Additional details include a folded convertible boot, chrome plated rally wheels, front and rear spoilers, and an accurate "chambered" dual exhaust tem. The extensive decal sheet features several accurate striping choices in both white, houndstooth interior pattern decals, and underhood markings. Enjoy build- this all time Camaro classic!



sys- black and ing your Revell kit of



*** REPEAT SEVERAL TIMES**
** A REPETER PLUSIEURS FOIS*



*** OPTIONAL PARTS**
** PIECES EN OPTION*



*** DECAL**
** DECAL COMANIE*



*** ALTERNATIVE ASSEMBLY**
** ENSEMBLAGE ALTERNATIVE*



*** CEMENT TOGETHER**
** A COLLER*



*** REMOVE AND THROW AWAY**
** A RETIRER ET JETER*



*** DO NOT CEMENT**
** NE PAS COLLER*

READ THIS BEFORE YOU BEGIN

- * Study the assembly drawings.
- * Each plastic part is identified by a number.
- * In the assembly drawings, some parts will be marked by a star (★) to indicate chrome plated plastic.
- * For better paint and decal adhesion, wash the plastic parts in a mild detergent solution. Rinse and let air dry.
- * Check the fit of each piece before cementing in place.
- * Use only cement for polystyrene plastic.
- * Scrape plating and paint from areas to be cemented.
- * Allow paint to dry thoroughly before handling parts.
- * Any unused parts may be discarded.

DECAL APPLICATION INSTRUCTIONS

(If applicable)

1. Cut desired decal from sheet.
2. Dip decal in water for a few seconds.
3. Place wet decal on paper towel.
4. Wait until decal is movable on paper backing.
5. Place decal in position on model, face up and slide backing away.
6. Press out air bubbles with a soft damp cloth.
7. Milkiness that may appear is for better decal adhesion and will dry clear. Wipe away any excess adhesive.
8. Do not touch decal until fully dry.
9. Allow the decals 48 hours to dry before applying clear coat.

LIRE CE QUI SUIT AVANT DE COMMENCER

- * Etudier les schémas de montage.
- * Chaque pièce en plastique est identifiée par un numéro.
- * Sur les schémas de montage, certaines pièces sont marquées d'une étoile (★) pour indiquer qu'elles sont en plastique chromé.
- * Pour une meilleure prise de la peinture et des autocollants, laver les pièces en plastique avec une solution détergente peu concentrée. Les rincer et les laisser sécher à l'air.
- * Vérifier que chaque pièce s'ajuste bien avant de la coller en place.
- * N'utiliser que de la colle pour polystyrène.
- * Gratter les parties à coller pour enlever le chrome et la peinture.
- * Laisser la peinture bien sécher avant de manipuler les pièces.
- * Toute pièce inutilisée peut être jetée.

DIRECTIVES D'APPLICATION DES AUTOCOLLANTS

1. Découper l'autocollant désiré de la feuille.
2. Tremper l'autocollant dans de l'eau pendant quelques secondes.
3. Placer l'autocollant mouillé sur une serviette en papier.
4. Attendez que l'autocollant puisse être déplacé sur son support en papier.
5. Mettre l'autocollant en position sur le modèle face sur le dessus et faire glisser le support pour l'enlever.
6. Appuyer avec un chiffon doux humide pour éliminer les bulles d'air.
7. La substance laiteuse qui peut apparaître est destinée à améliorer l'adhésion de l'autocollant et devient incolore au séchage. Essuyer pour enlever tout excédent d'adhésif.
8. Ne pas toucher l'autocollant tant qu'il n'est pas bien sec.
9. Laisser l'autocollant sécher pendant 48 heures avant

This paint guide is provided to complete this kit as shown on the box.

Ce guide de peinture est fourni pour reproduire le modèle réduit qui apparaît sur la boîte.

Flat Black	<i>Noir mat</i>
Semigloss black	<i>Noir satiné</i>
Satin White	<i>Blanc satiné</i>
Gloss Red	<i>Rouge brillant</i>
Gloss Black	<i>Noir brillant</i>
Gloss Orange	<i>Orange brillant</i>
Chevrolet Engine Red	<i>Rouge moteur Chevrolet</i>
Gunmetal	<i>Bronze</i>
Aluminum	<i>Aluminum</i>
Silver	<i>Argent</i>
Steel	<i>Acier</i>
Transparent Red	<i>Rouge transparent</i>
Turn Signal Amber	<i>Feu de virage ambre</i>

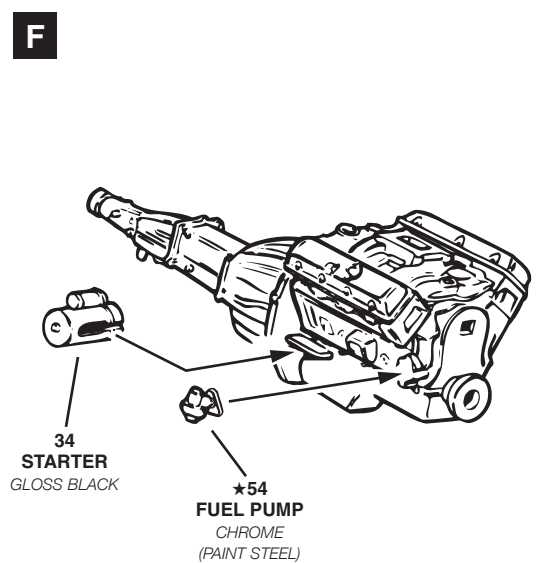
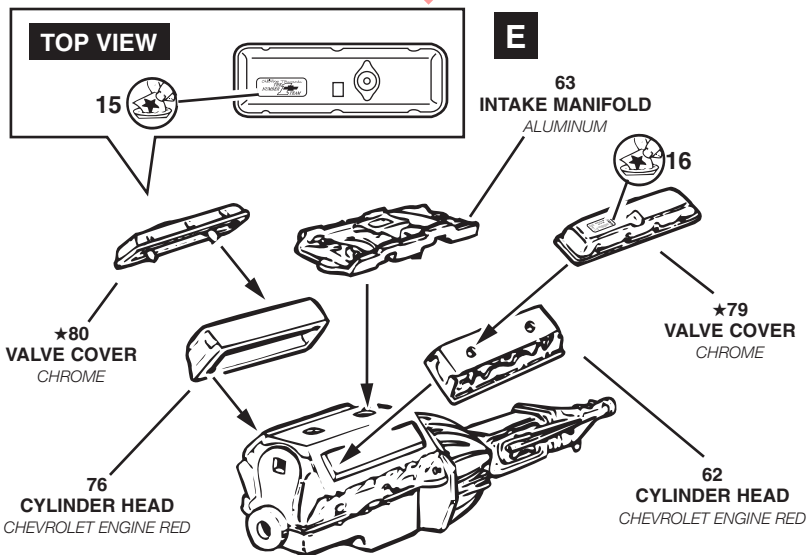
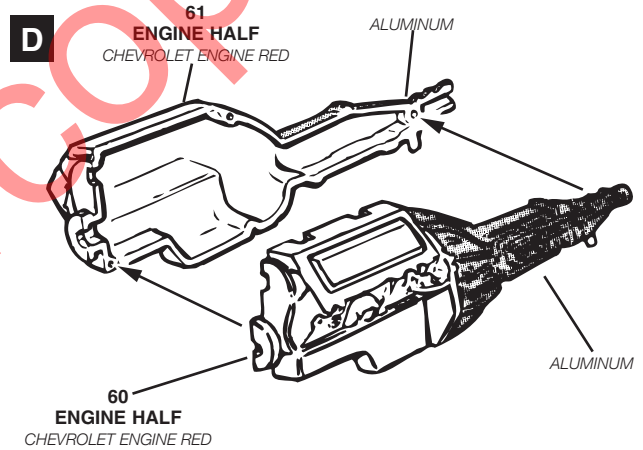
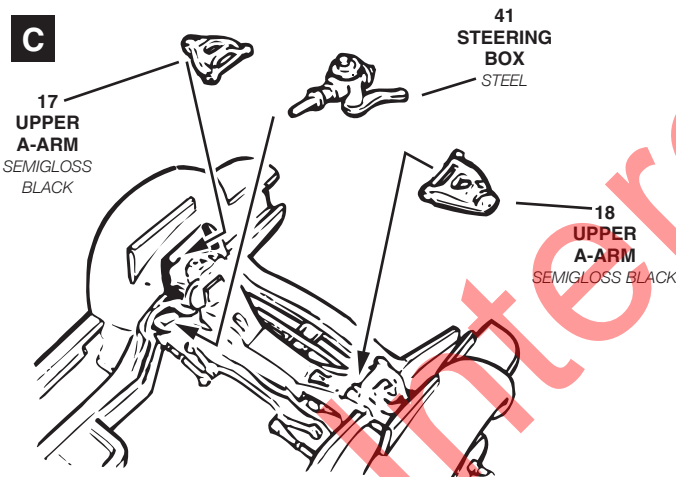
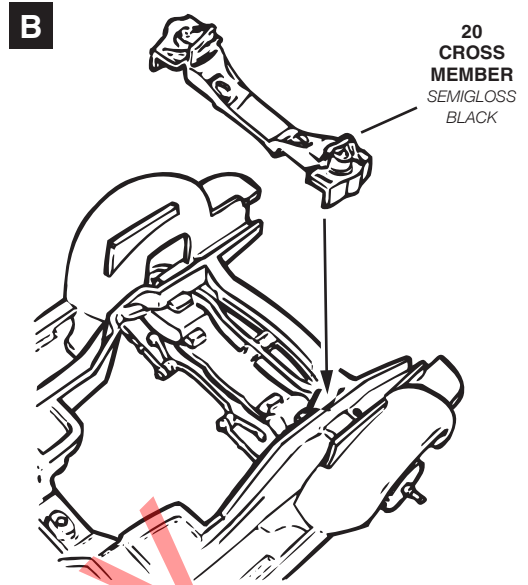
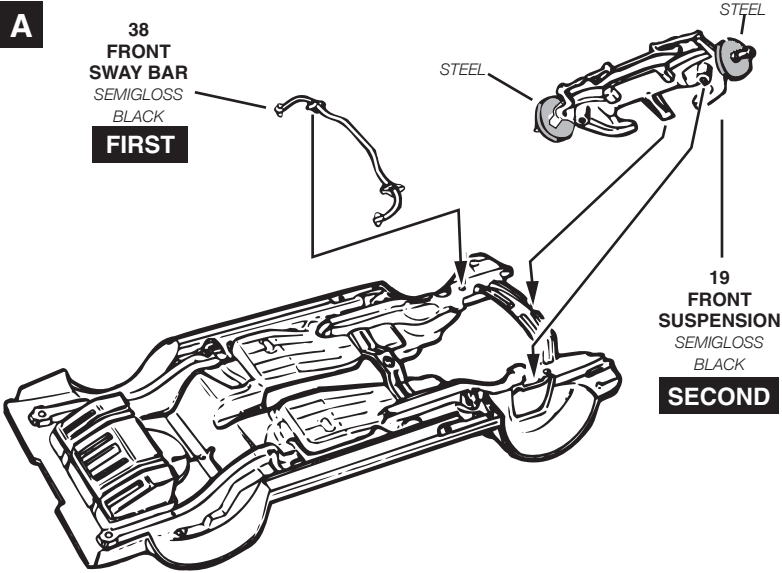
If you have any questions or comments, call our hotline at: (800) 833-3570 or, please write to:

Revell-Monogram Consumer Service Department, 725 Landwehr, Northbrook, Illinois 60062

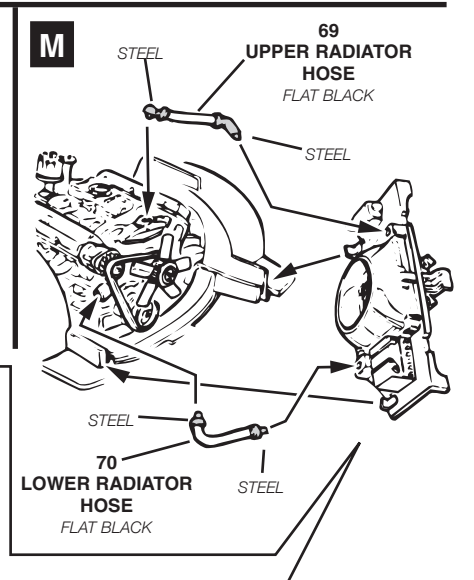
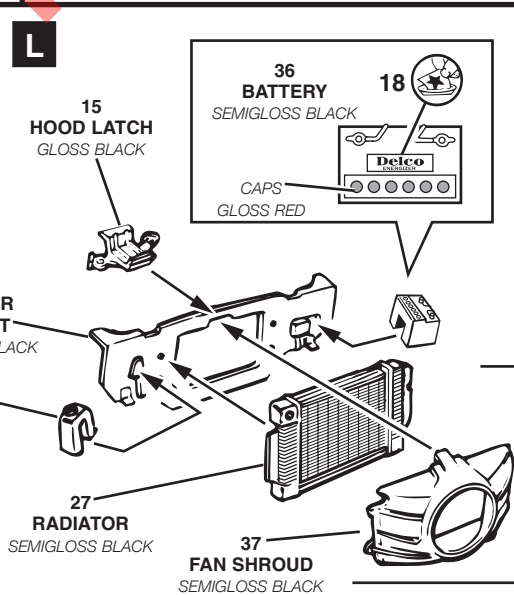
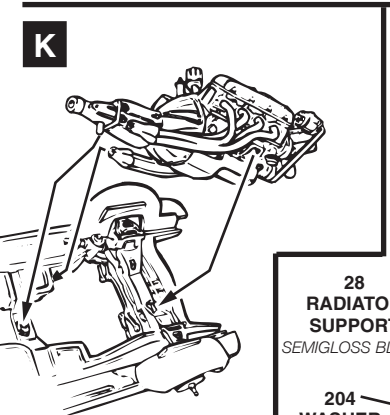
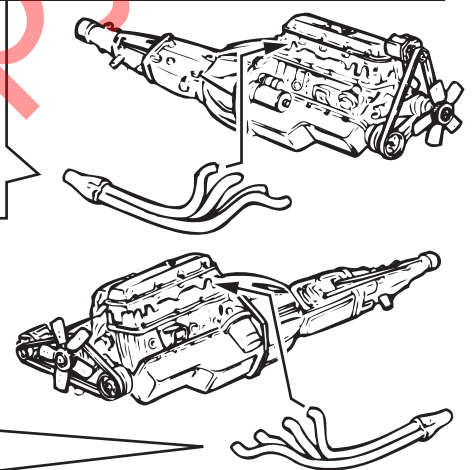
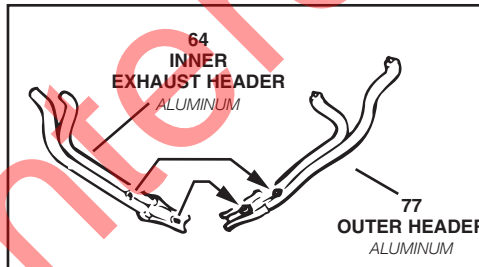
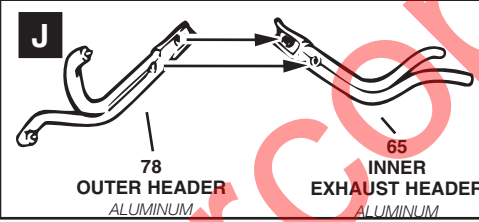
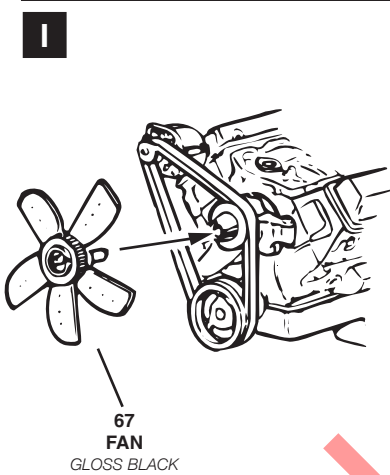
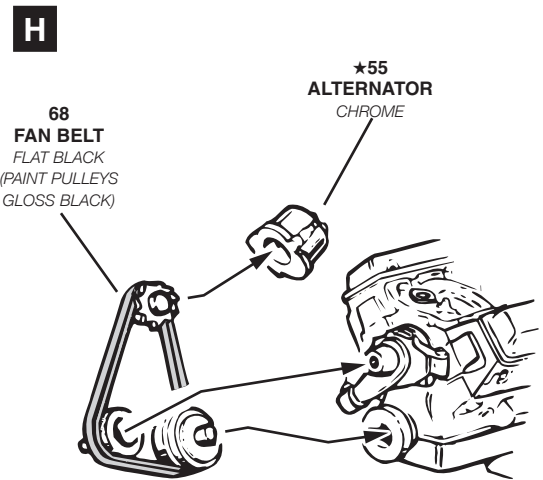
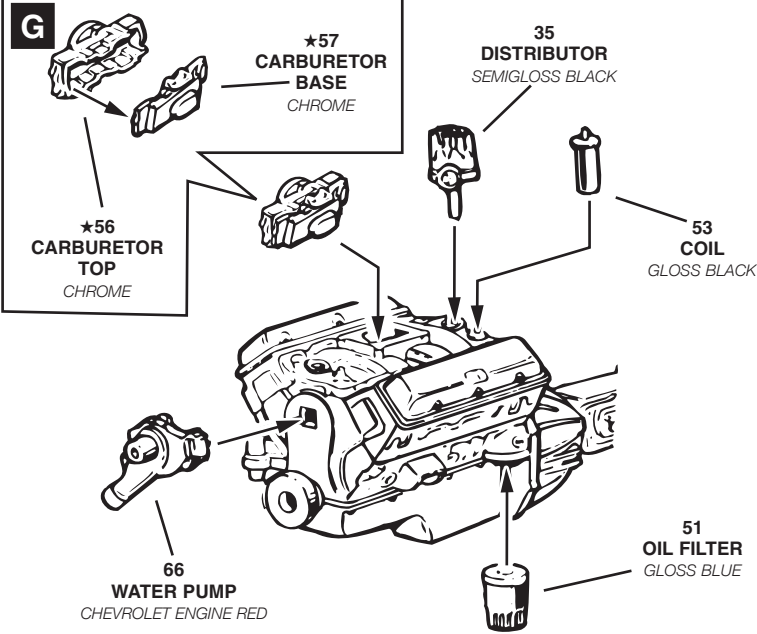
Be sure to include the plan number (85767610200), part number, description, your return address and phone number.

Visit our website: www.revell-monogram.com

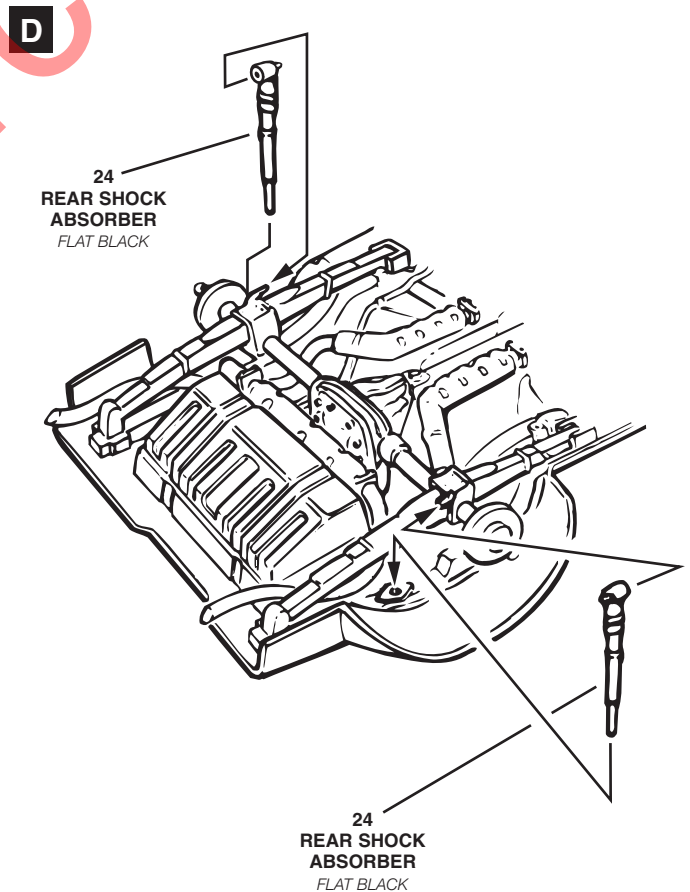
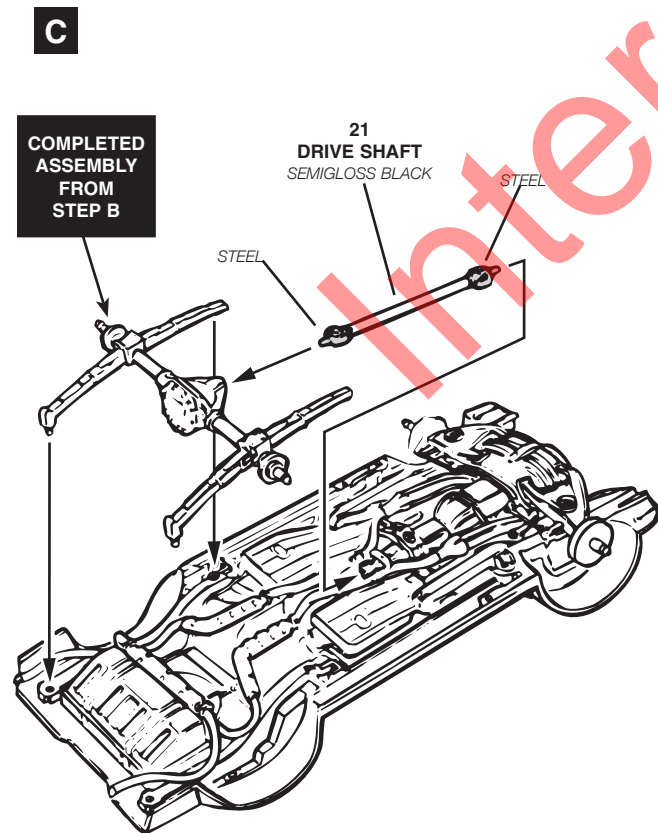
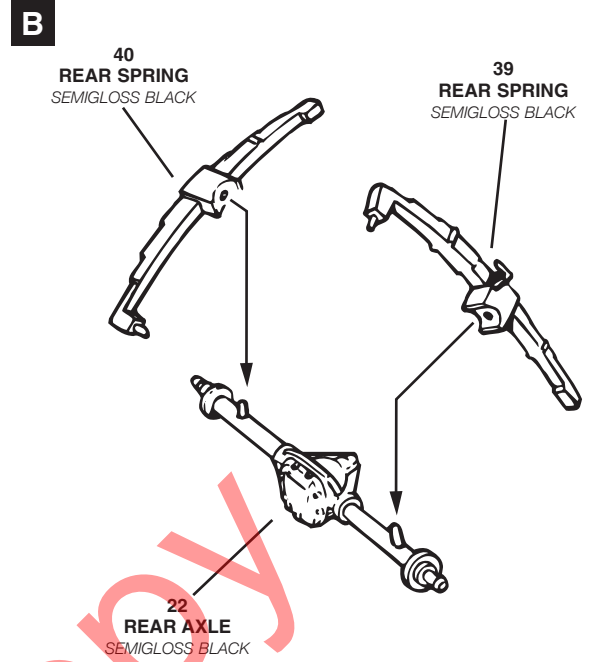
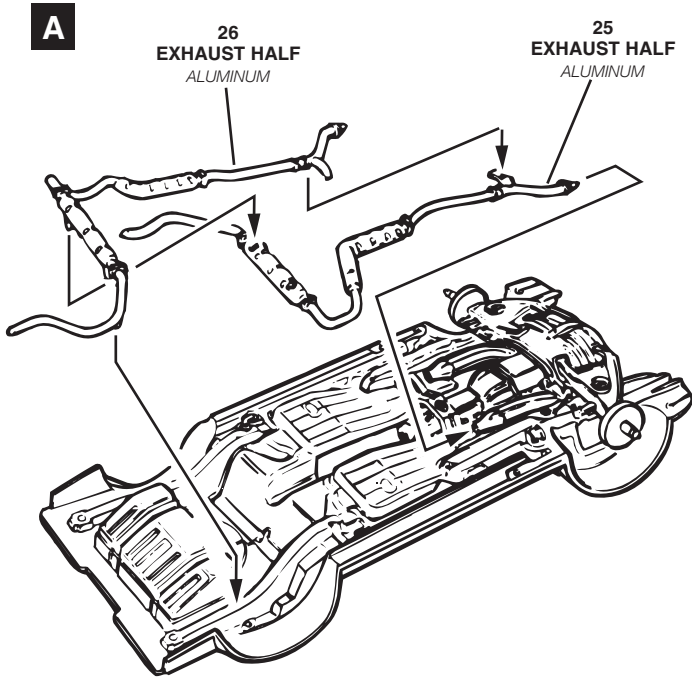
FRONT CHASSIS / ENGINE ASSEMBLY



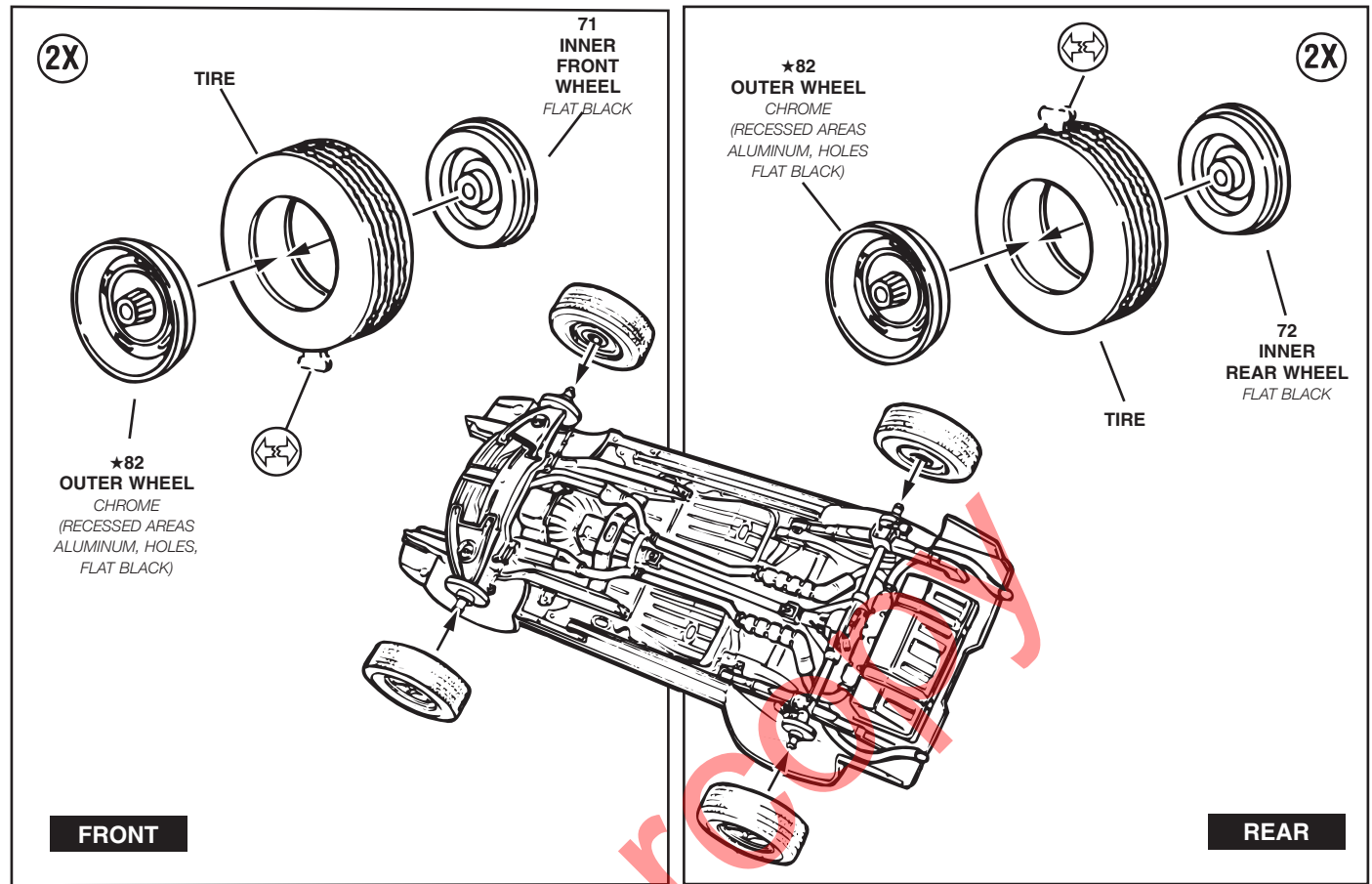
ENGINE ASSEMBLY CONTINUED



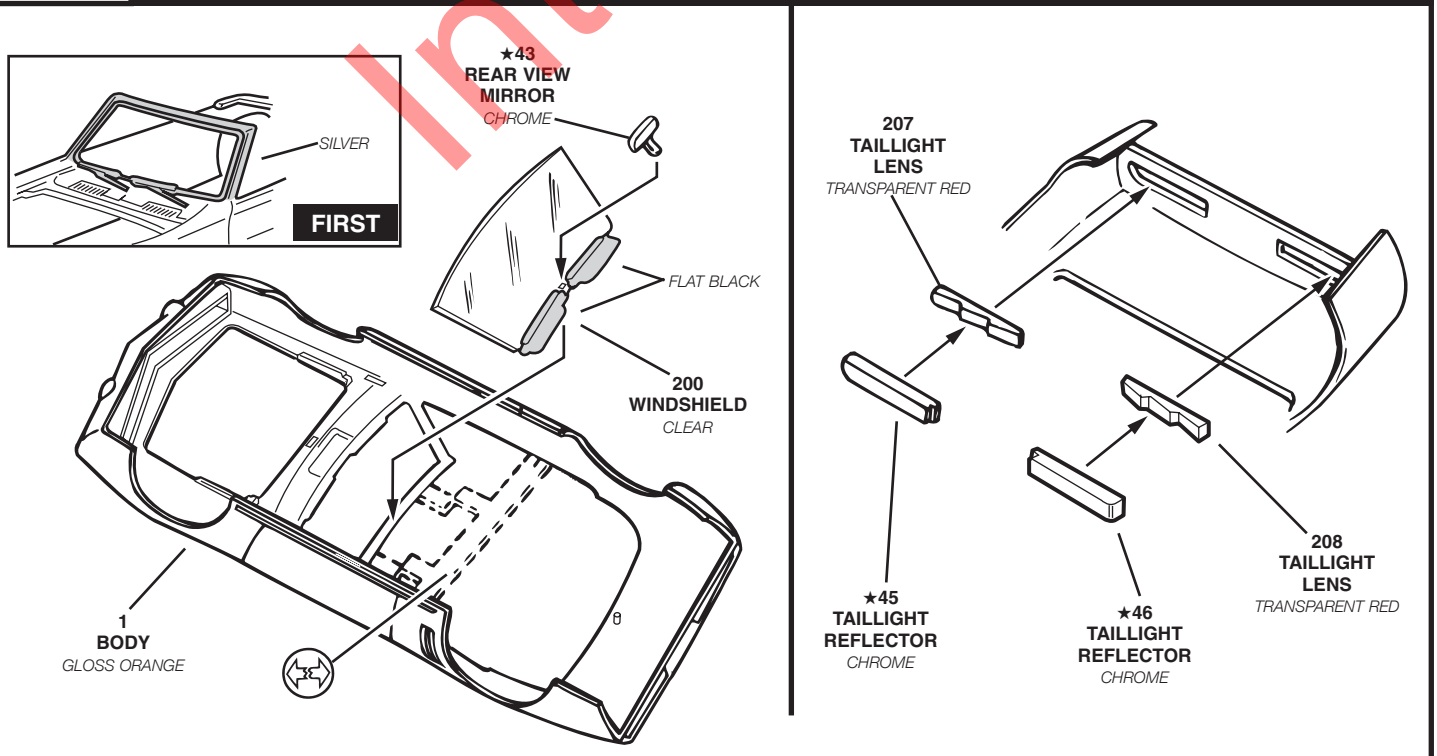
REAR CHASSIS ASSEMBLY



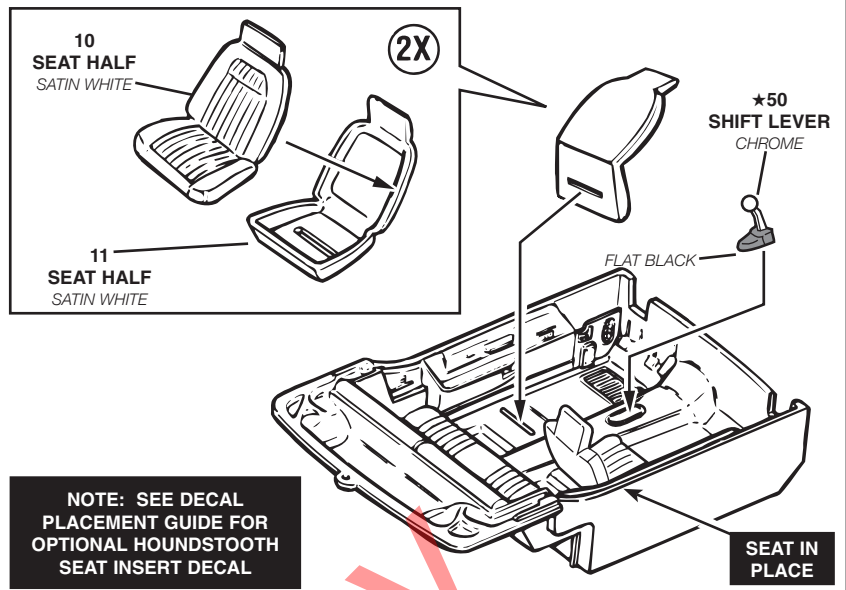
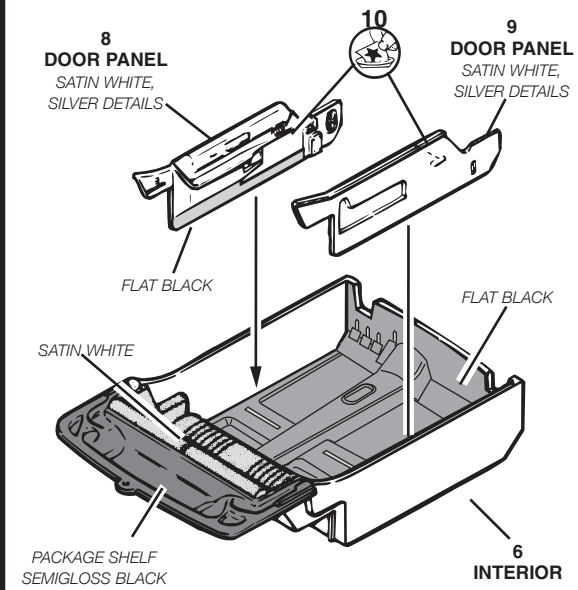
TIRE / WHEEL ASSEMBLY



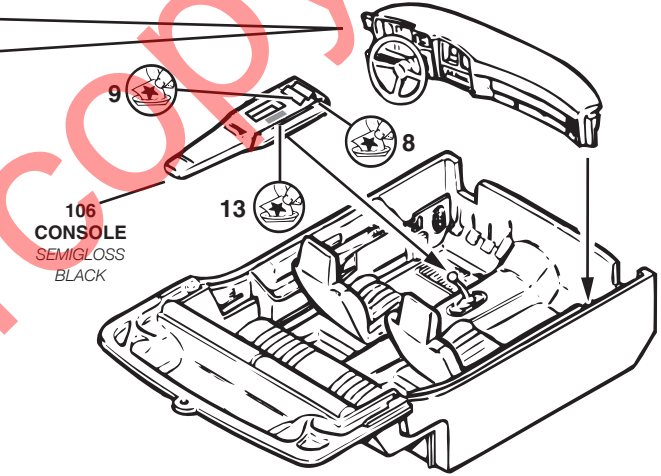
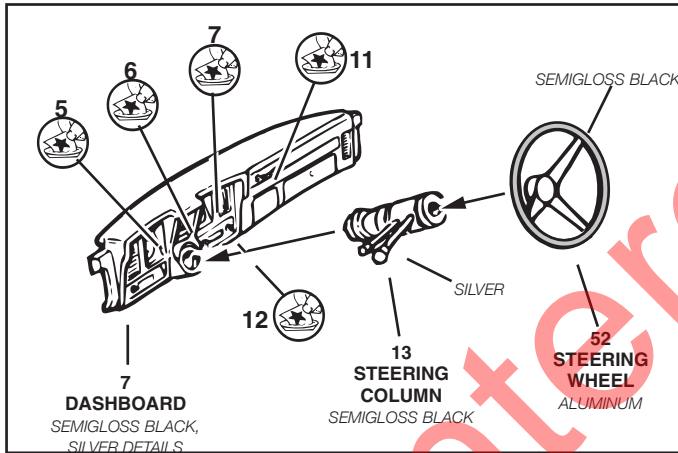
WINDSHIELD / TAILLIGHT ASSEMBLY



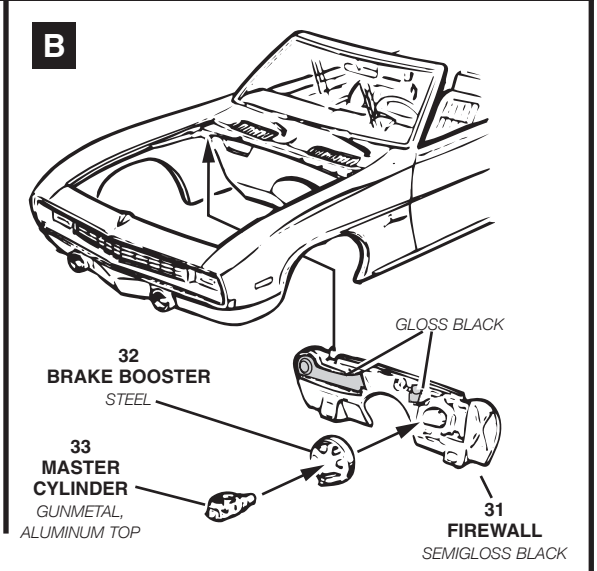
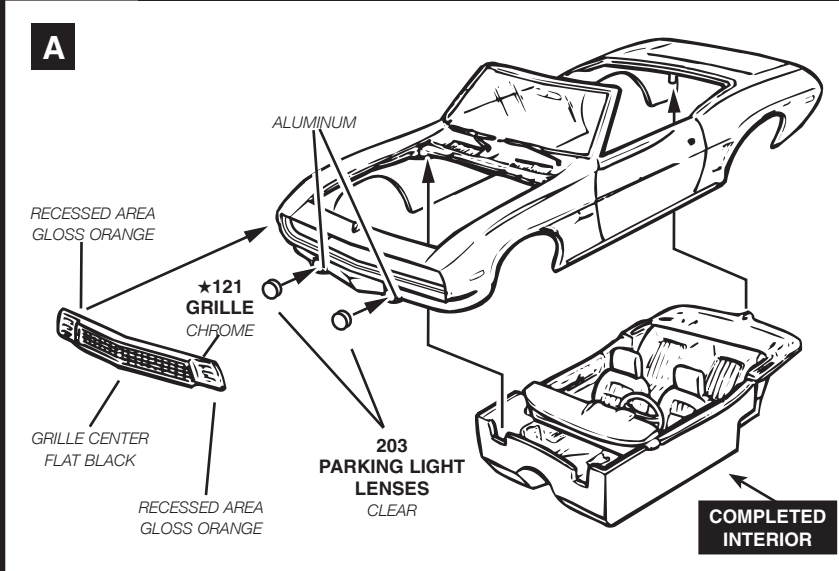
INTERIOR ASSEMBLY



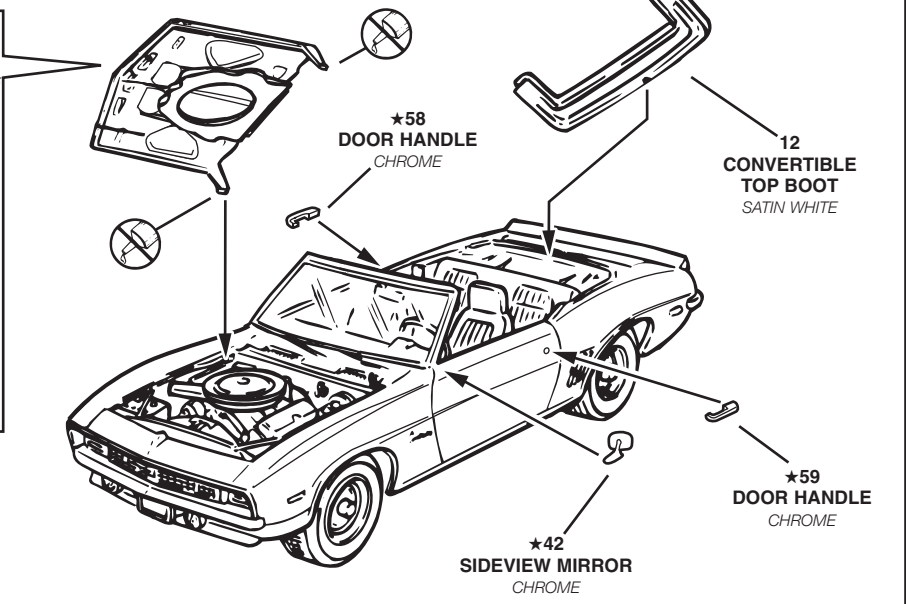
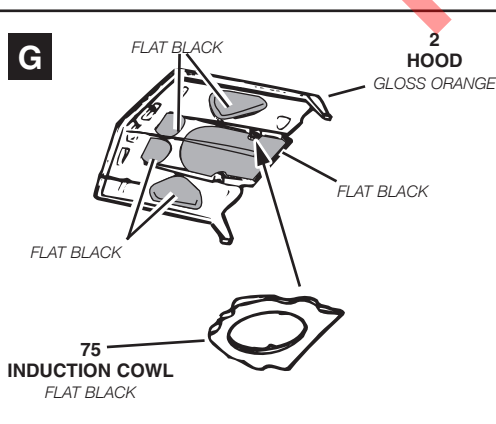
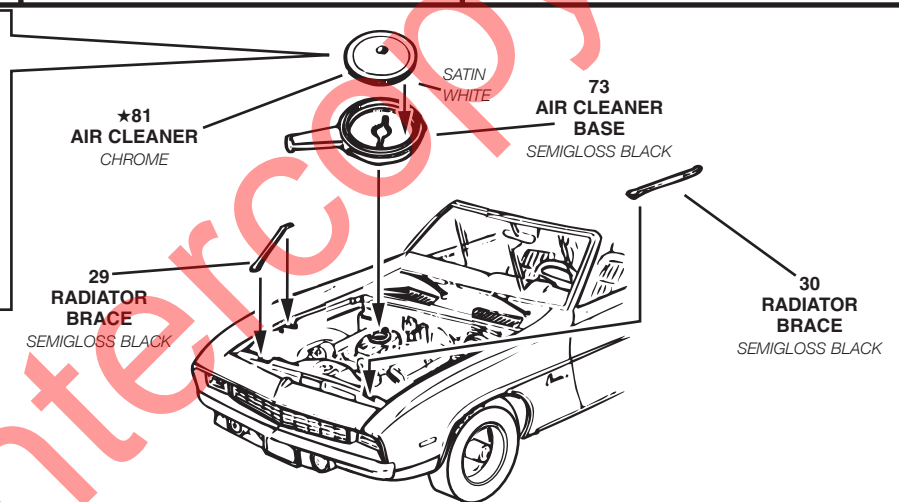
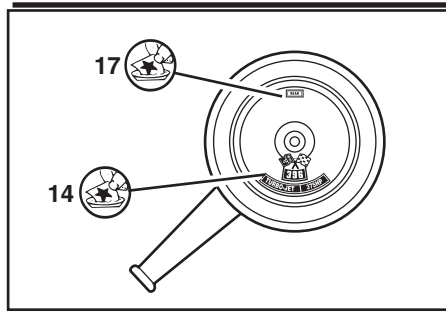
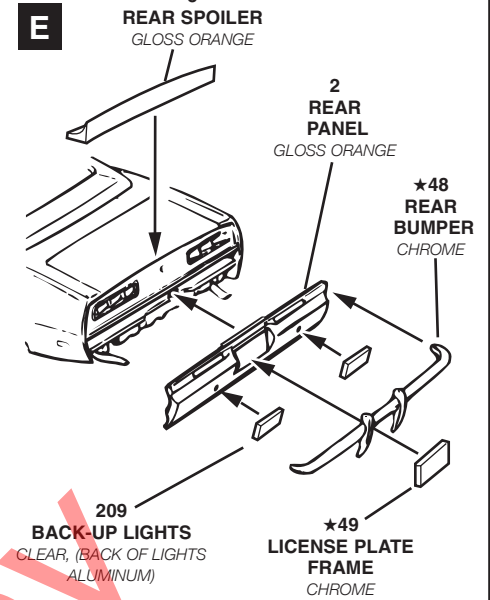
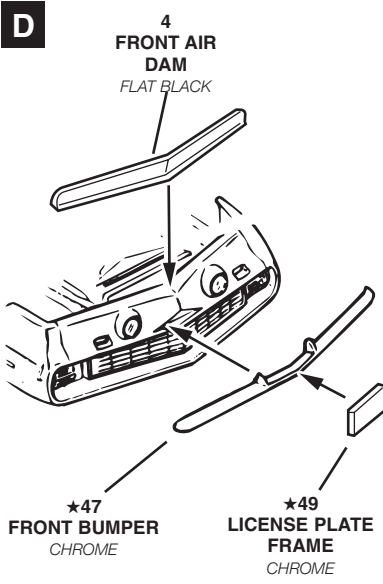
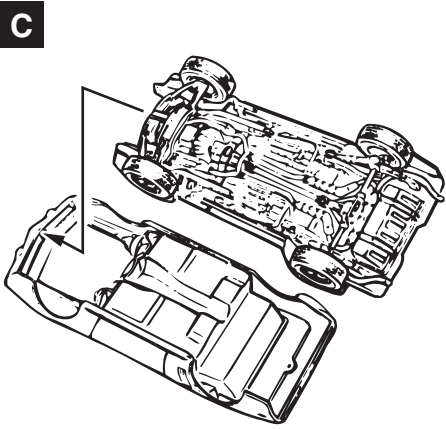
NOTE: SEE DECAL PLACEMENT GUIDE FOR OPTIONAL HOUNDSTOOTH SEAT INSERT DECAL



FINAL ASSEMBLY

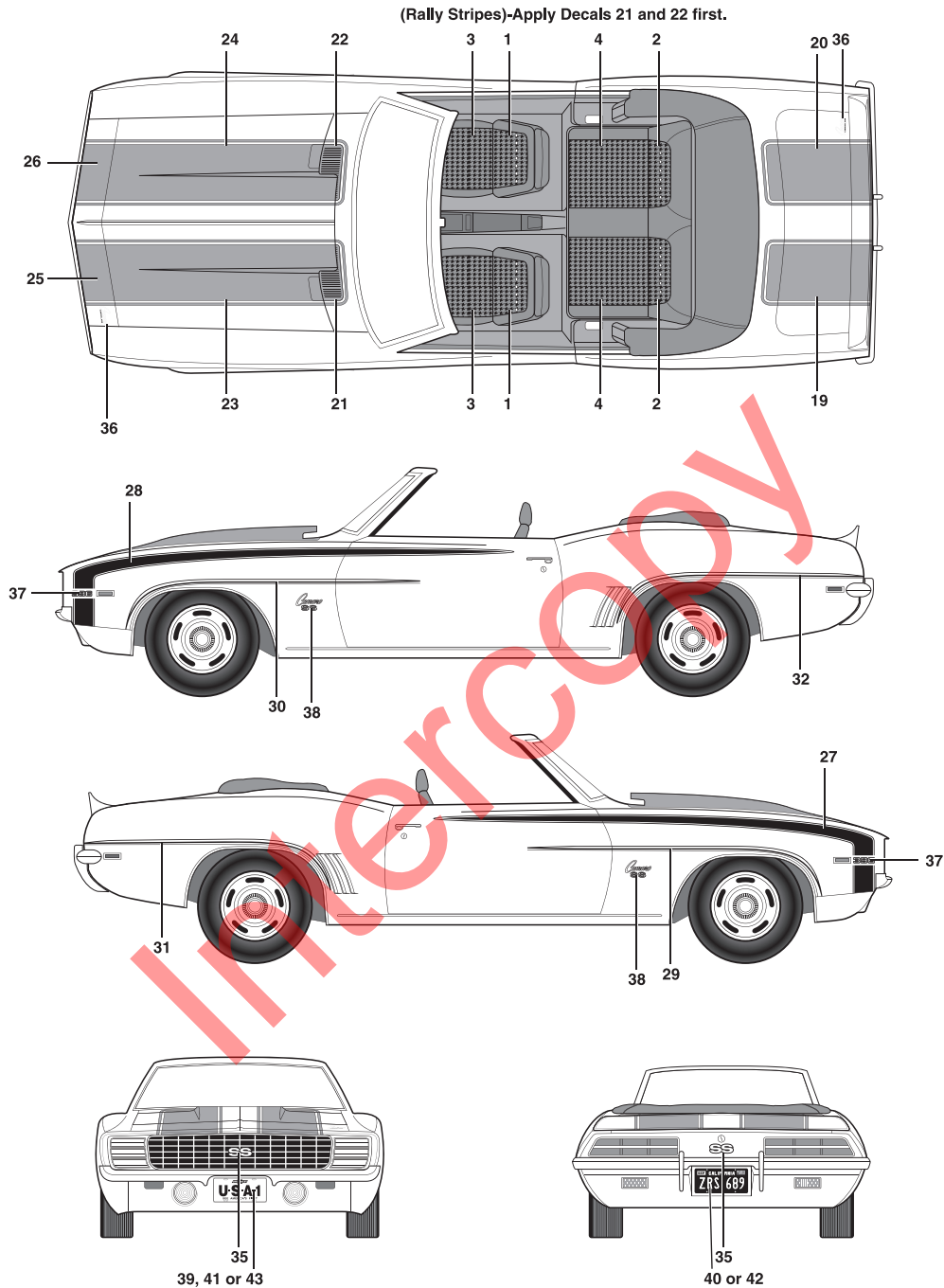


FINAL ASSEMBLY CONTINUED



DECAL PLACEMENT

Rally Stripes - (Decals 19-26), Hockey Stripes - (Decals 27 and 28) and Pin Stripes - (Decals 29-32) can be used as individual sets. Pin Stripes can be used with Rally Stripes, but Hockey stripes are to be used by themselves.



1969 Camaro Convertible Factory Colors:

- | | | |
|--------------------|---------------------|-----------------|
| 10 Tuxedo Black | 40 Butternut Yellow | 50 Dover White |
| 51 Dusk Blue | 52 Garnet Red | 53 Glacier Blue |
| 55 Azure Turquoise | 57 Fathom Green | 59 Frost Green |
| 61 Burnished Brown | 63 Champagne | 65 Olympic Gold |
| 67 Burgundy | 69 Cortez Silver | 71 Le Mans Blue |
| 72 Hugger Orange | 76 Daytona Yellow | 79 Rally Green |

Interior Colors: Black, Blue, Medium Green, Ivory/Black, Red, Midnight Green, Black Houndstooth, Ivory Houndstooth, Yellow Houndstooth, Orange Houndstooth